



US00D913784S

(12) **United States Design Patent**
O'Donnell

(10) **Patent No.:** **US D913,784 S**

(45) **Date of Patent:** **** Mar. 23, 2021**

(54) **CAN CARRIER**

(71) Applicant: **Daniel J. O'Donnell**, Winston-Salem, NC (US)

(72) Inventor: **Daniel J. O'Donnell**, Winston-Salem, NC (US)

(73) Assignee: **Winter Park Trading, Inc.**, Winter Park, FL (US)

(**) Term: **15 Years**

(21) Appl. No.: **29/700,871**

(22) Filed: **Aug. 6, 2019**

(51) **LOC (13) Cl.** **09-03**

(52) **U.S. Cl.**
USPC **D9/432**

(58) **Field of Classification Search**
USPC D9/414, 415, 416, 418, 430, 432, 739,
D9/747; D6/517; D7/601, 602, 622
CPC B65D 71/00; B65D 5/46; B65D 5/4608;
B65D 5/0227
See application file for complete search history.

(56) **References Cited**

U.S. PATENT DOCUMENTS

- 2,839,235 A * 6/1958 Chidsey, Jr. B65D 71/18
206/149
- 2,867,320 A * 1/1959 Noble B65D 71/20
206/140
- 4,184,626 A * 1/1980 Graser B65D 71/26
206/193
- 4,558,816 A * 12/1985 Wood B65D 5/4608
229/117.13
- D289,011 S * 3/1987 Rusnock D9/754
- 4,685,566 A * 8/1987 Wilson B65D 71/36
206/429
- 4,863,035 A * 9/1989 Hiroshima B65D 5/542
229/244
- 5,222,658 A * 6/1993 DeMaio B65D 5/4608
229/117.13

- 5,333,734 A * 8/1994 Stout B65D 71/36
206/427
 - 5,611,431 A * 3/1997 Harris B65D 71/16
206/153
 - D432,341 S * 10/2000 Shimbo D6/515
 - D537,363 S * 2/2007 Petrucci D9/721
 - 7,644,817 B2 * 1/2010 Sutherland B65D 71/36
206/427
 - D621,704 S * 8/2010 Lymn D9/432
- (Continued)

OTHER PUBLICATIONS

Pint Glass 6 Pack gift box from Grandstand: Site Visited [Jan. 14, 2020, online]. Available from Internet URL: <https://grandstand.com/pint-gift-box-6-pack.html>.*

(Continued)

Primary Examiner — Catherine S Posthauer

Assistant Examiner — Riah D Buchanan

(74) *Attorney, Agent, or Firm* — Tuggle Duggins P.A.;
Blake P. Hurt

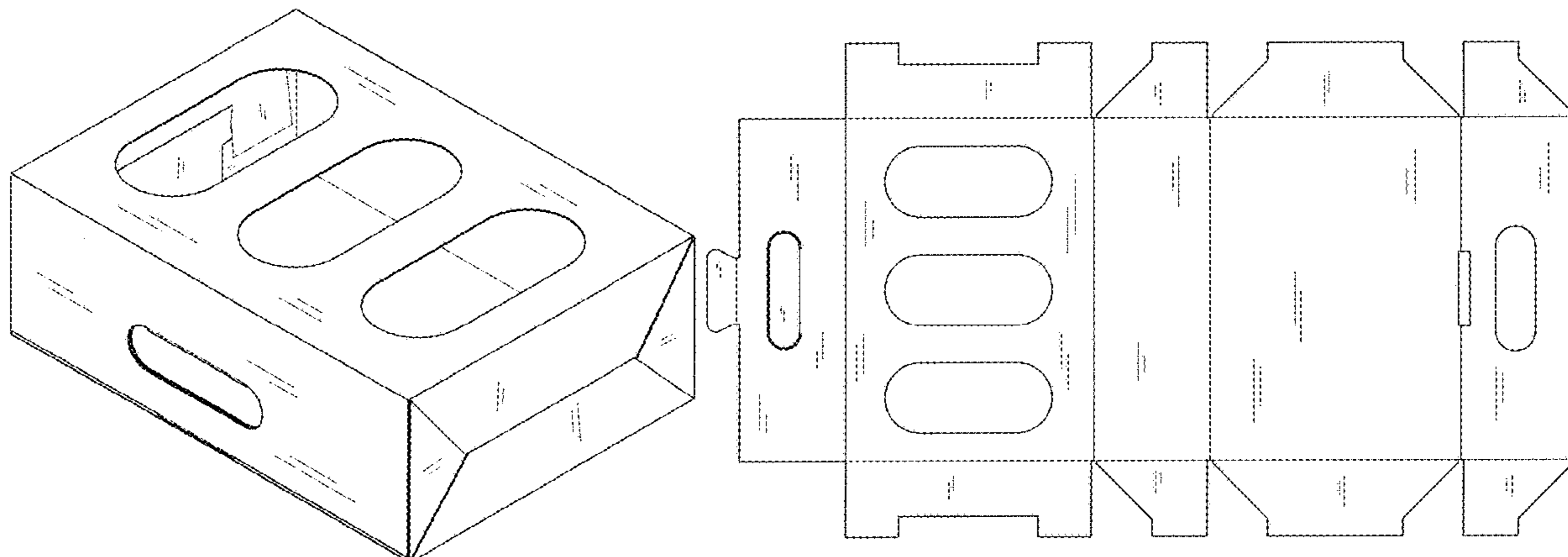
(57) **CLAIM**

The ornamental design for a can carrier, as shown and described.

DESCRIPTION

FIG. 1 is a top, front, right side perspective view of a can carrier showing my new design;
FIG. 2 is a bottom, rear, left side perspective thereof;
FIG. 3 is a front elevational view thereof;
FIG. 4 is a rear elevational view thereof;
FIG. 5 is a top plan view thereof;
FIG. 6 is a bottom plan view thereof;
FIG. 7 is a right side elevational view thereof;
FIG. 8 is a left side elevational view thereof; and,
FIG. 9 is a top plan view of the can carrier in an unfolded state.

1 Claim, 9 Drawing Sheets



(56)

References Cited

U.S. PATENT DOCUMENTS

D678,049	S *	3/2013	Bakker	D9/416
D681,986	S *	5/2013	Murphy	D6/515
D686,842	S *	7/2013	Murphy	D6/515
D706,129	S *	6/2014	Boraczek	D9/418
9,073,663	B2 *	7/2015	Holley, Jr.	B65D 5/42
D744,332	S *	12/2015	D'Anglade	D9/432
D760,072	S *	6/2016	Lutz	D9/416
D804,298	S *	12/2017	Demmink	D9/418
9,938,035	B2 *	4/2018	Block	B65D 5/0227
D830,741	S *	10/2018	Nourie	D6/672
D840,806	S *	2/2019	Bourke	D9/432
10,329,048	B2 *	6/2019	Nelson	B65D 5/443
D871,207	S *	12/2019	Vandenbos	D9/418
2014/0353364	A1 *	12/2014	Coogan	B65D 5/4608
					229/117.3
2018/0282039	A1 *	10/2018	St-Laurent	B65D 71/46

OTHER PUBLICATIONS

Birthday Brew Craft Beer Gift Pack by The Wobbly Brewing: Site Visited [Jan. 14, 2020, online]. Available from Internet URL: <https://craftcan.directory/product/happy-bday-gift-pack/>.*

* cited by examiner

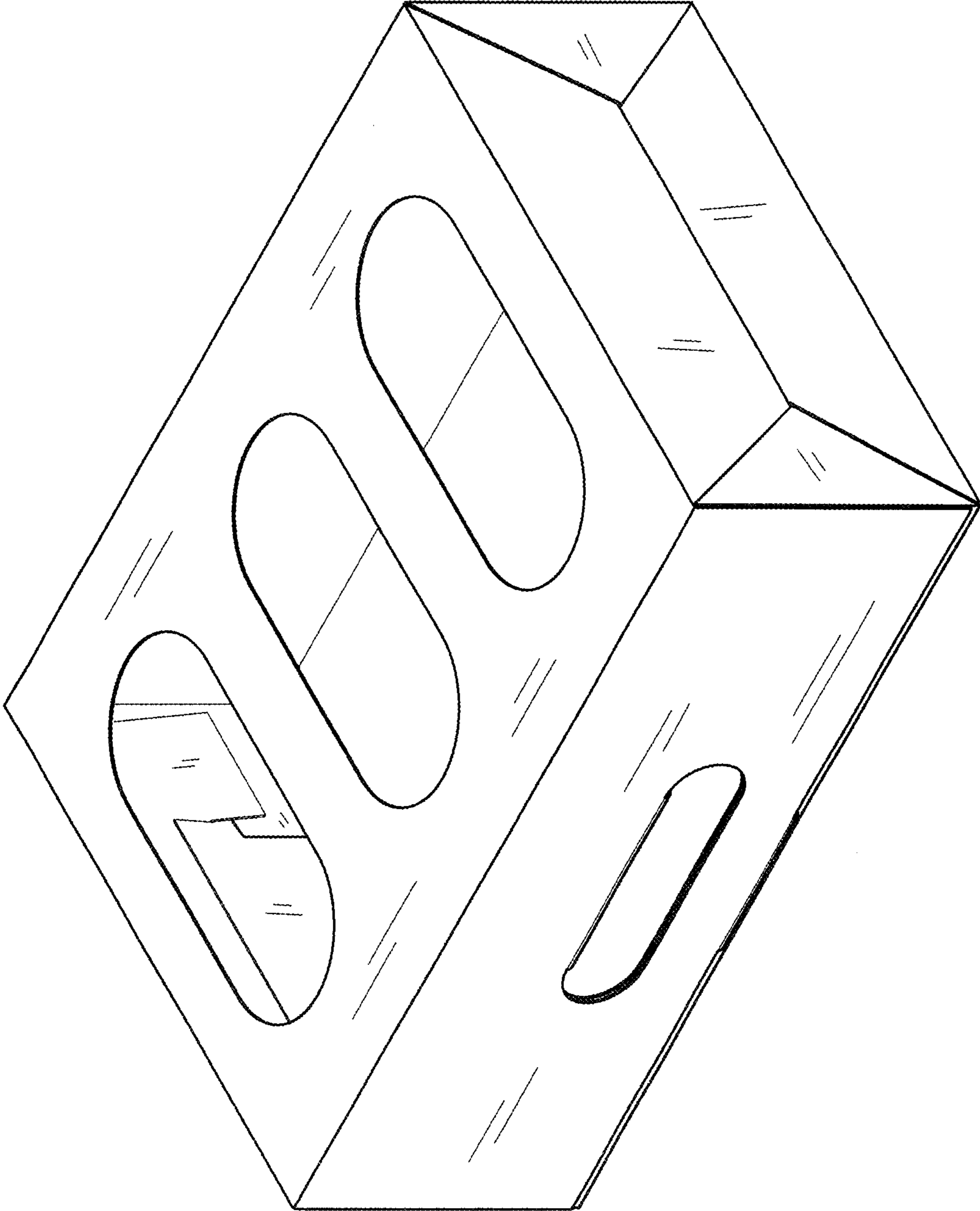


FIG. 1

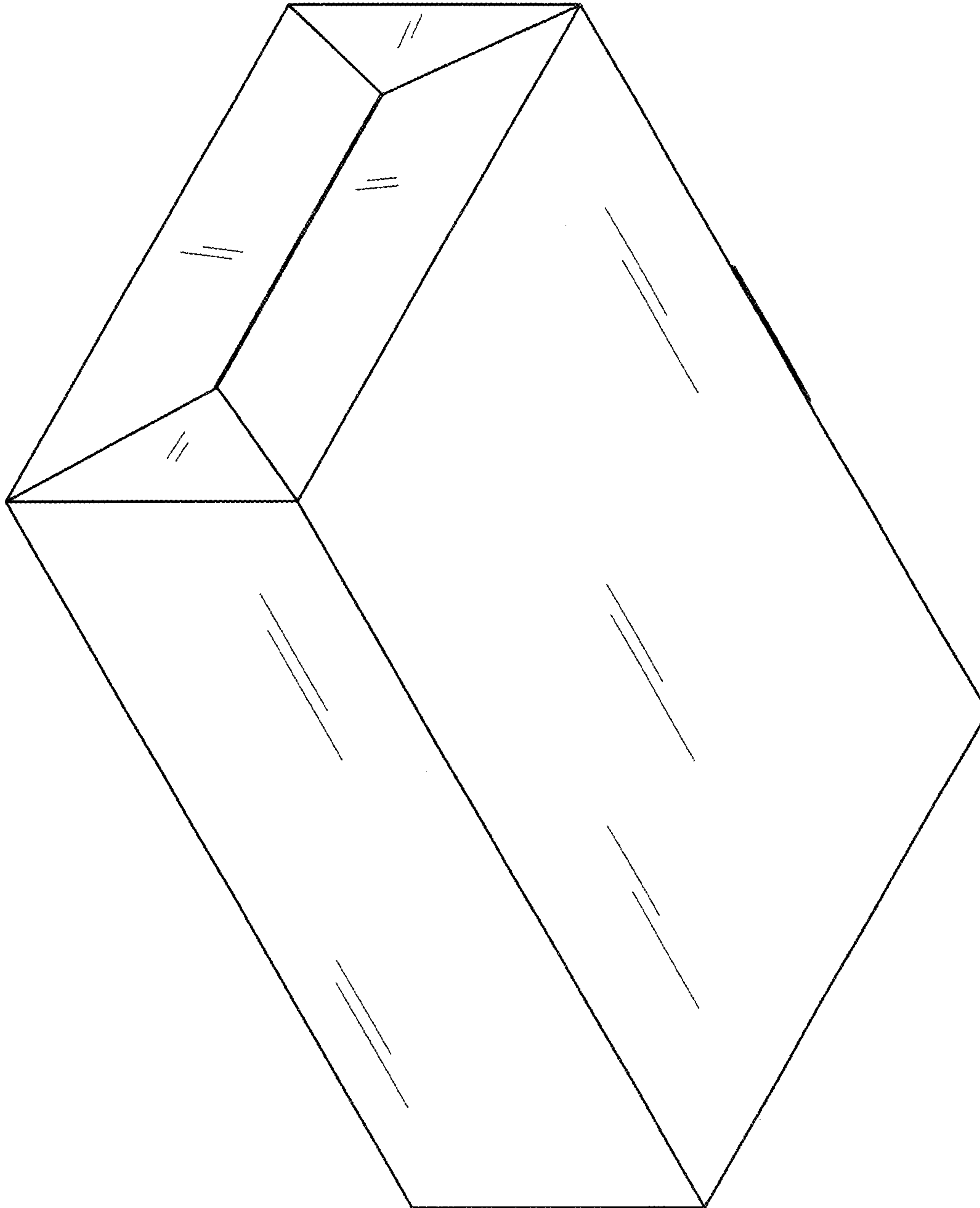


FIG. 2

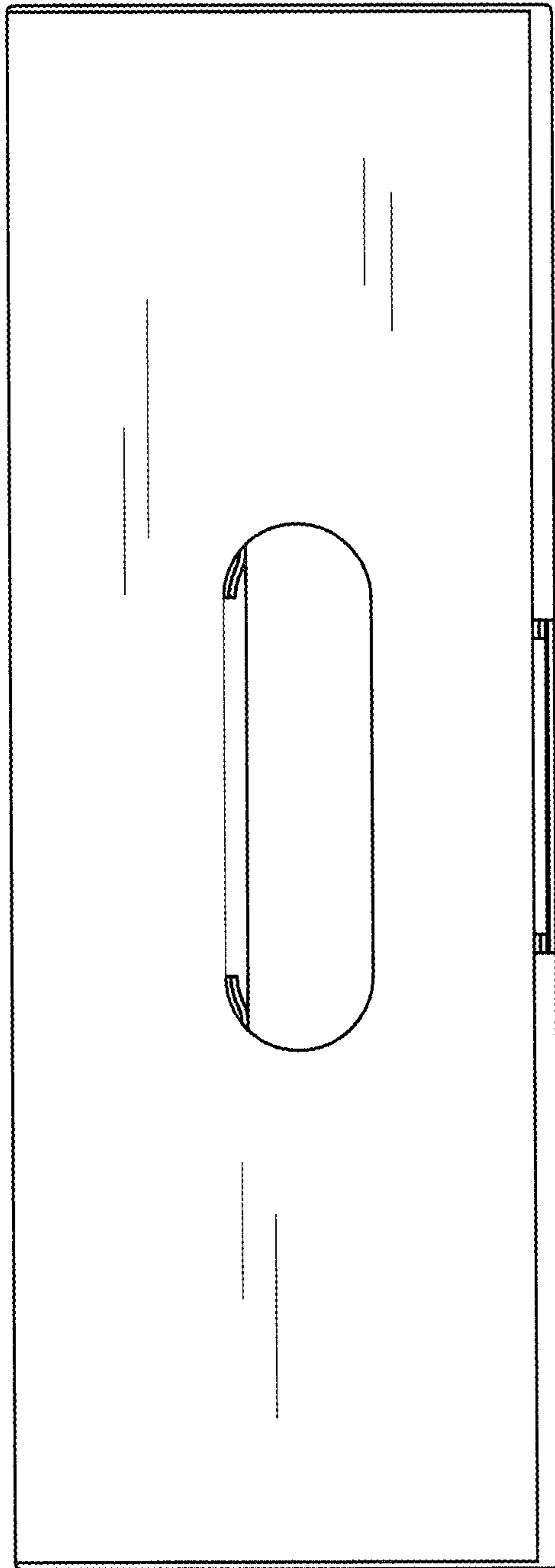


FIG. 3

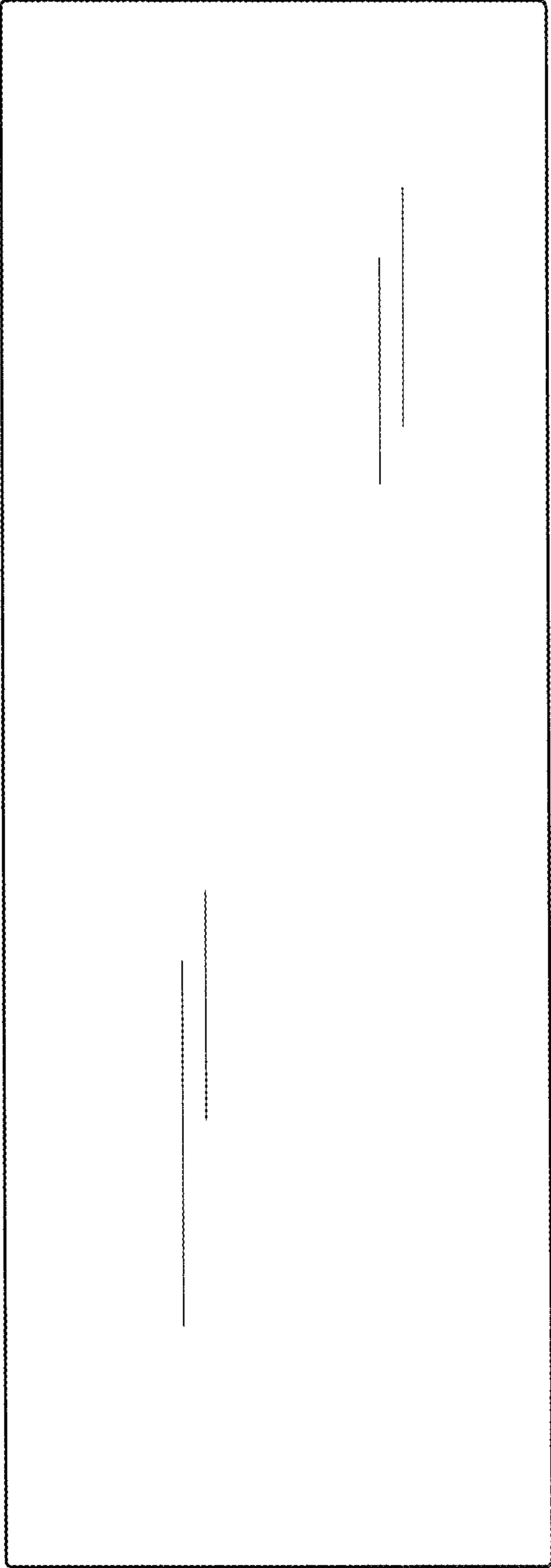


FIG. 4

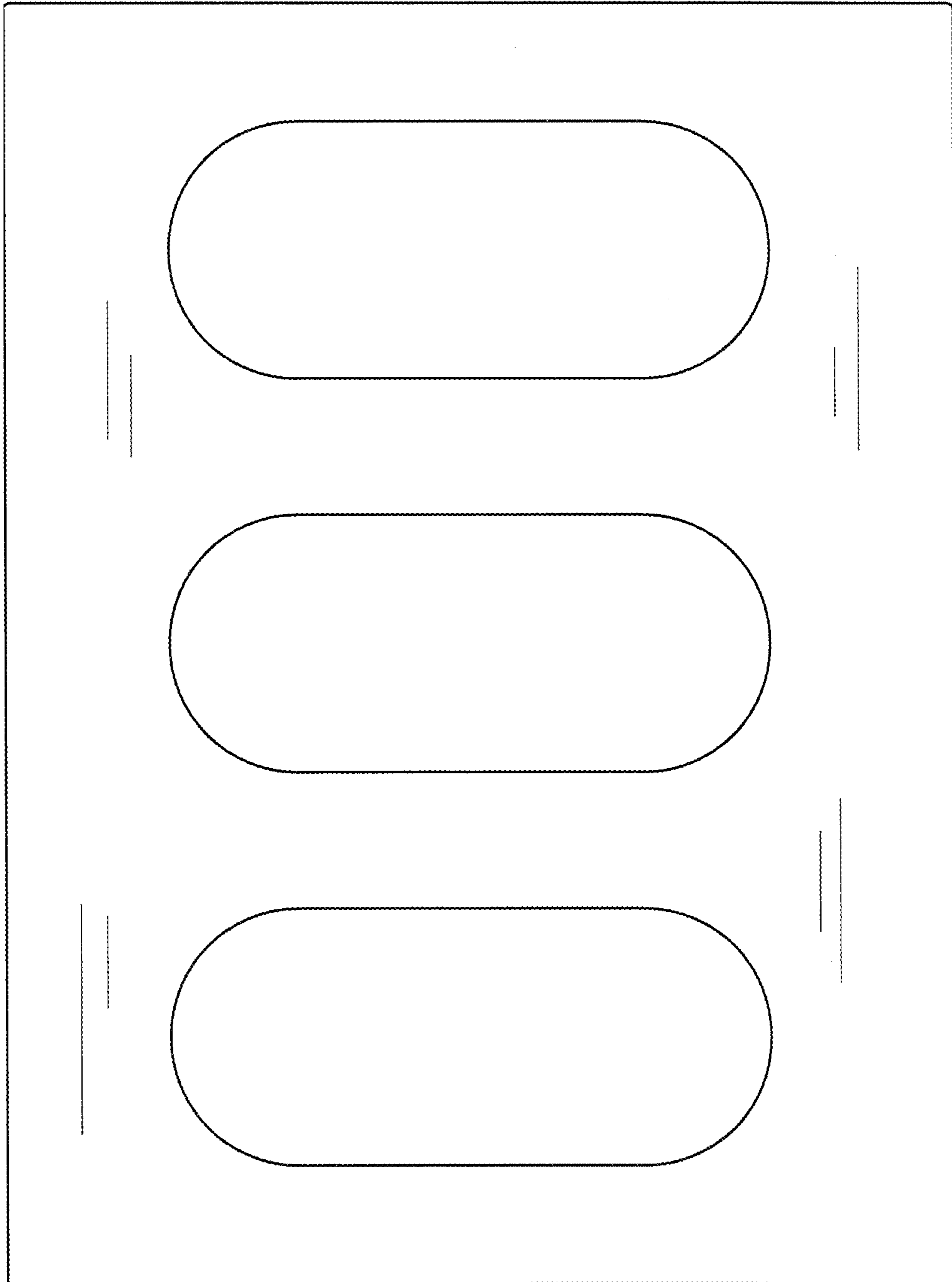


FIG. 5

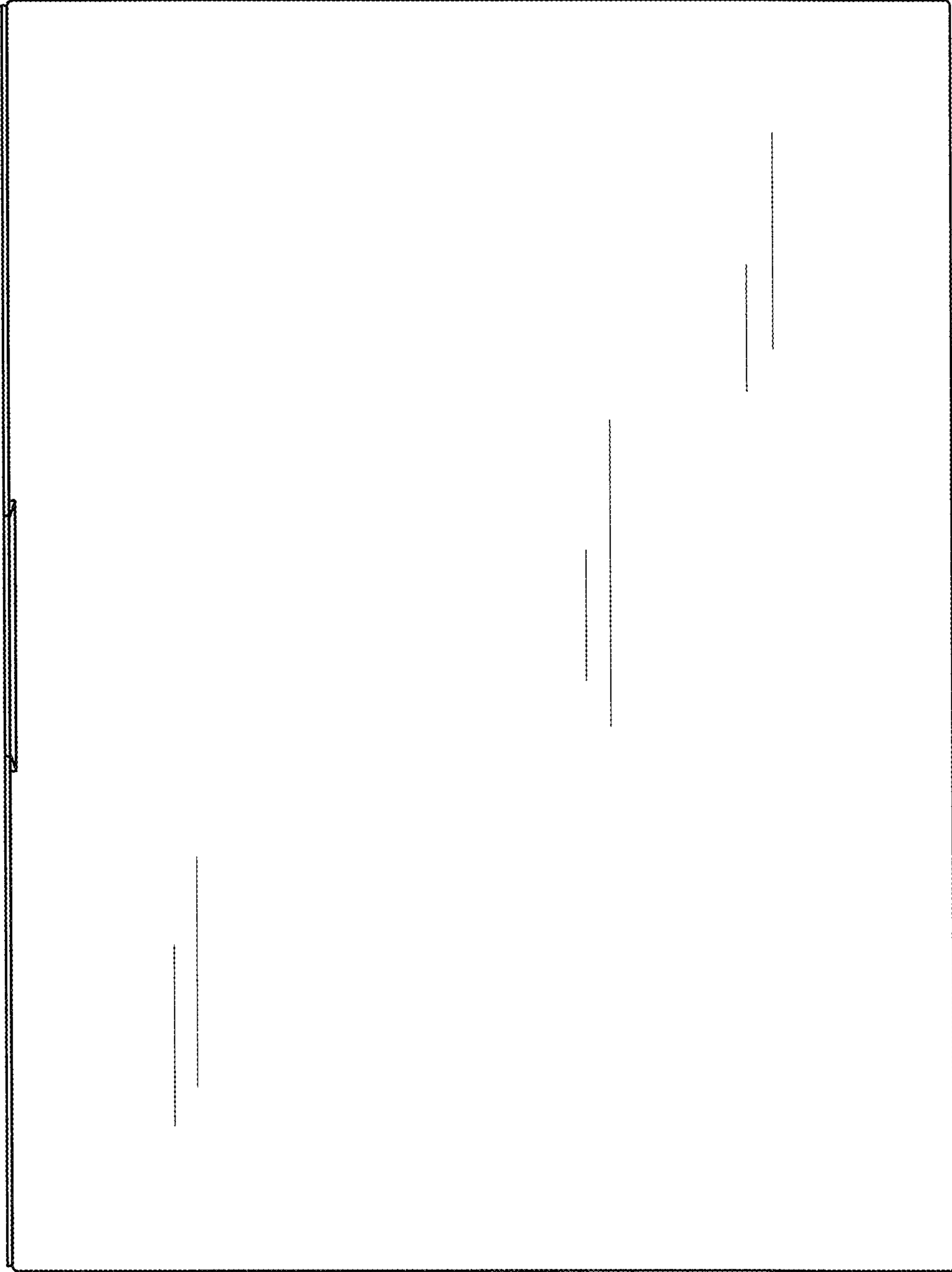


FIG. 6

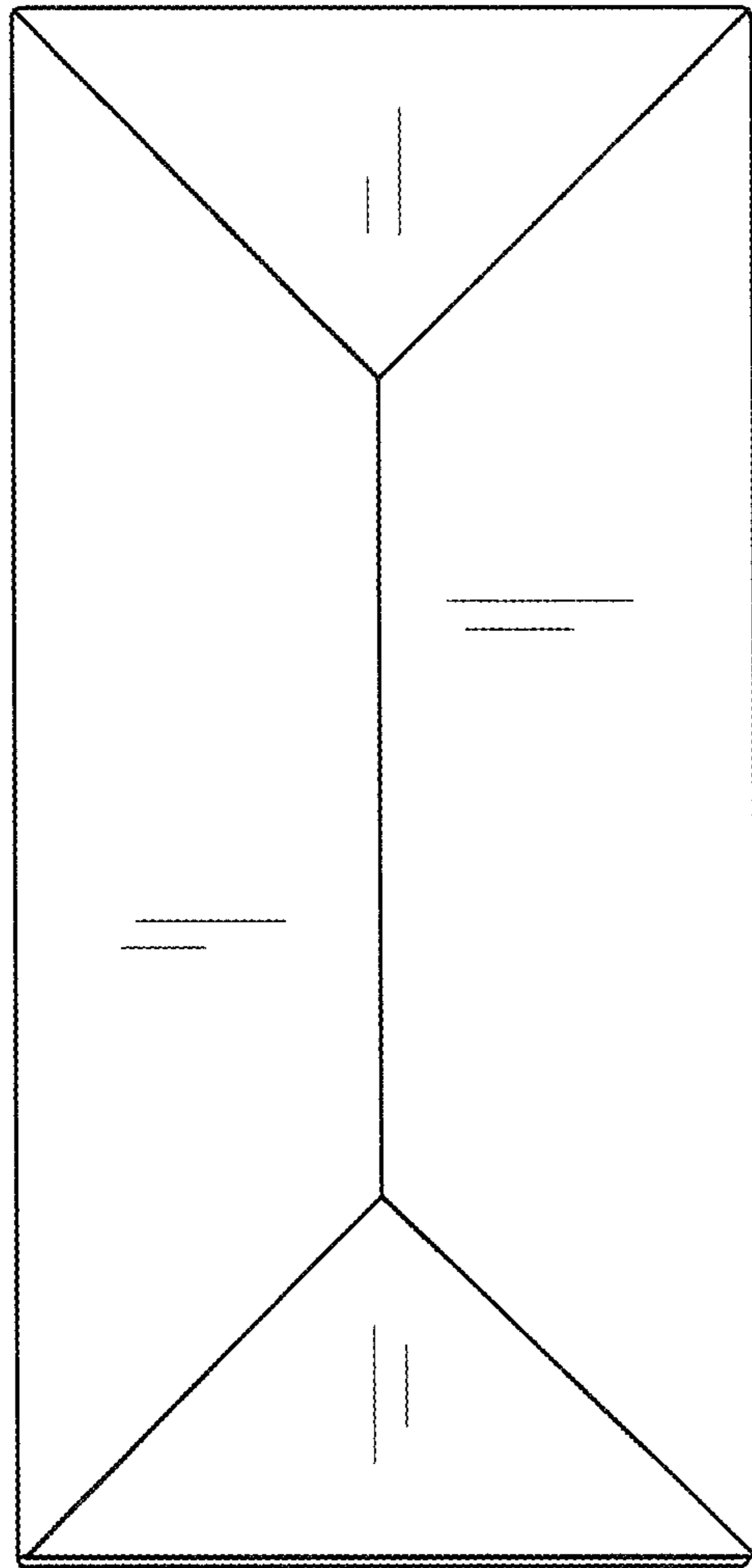


FIG. 7

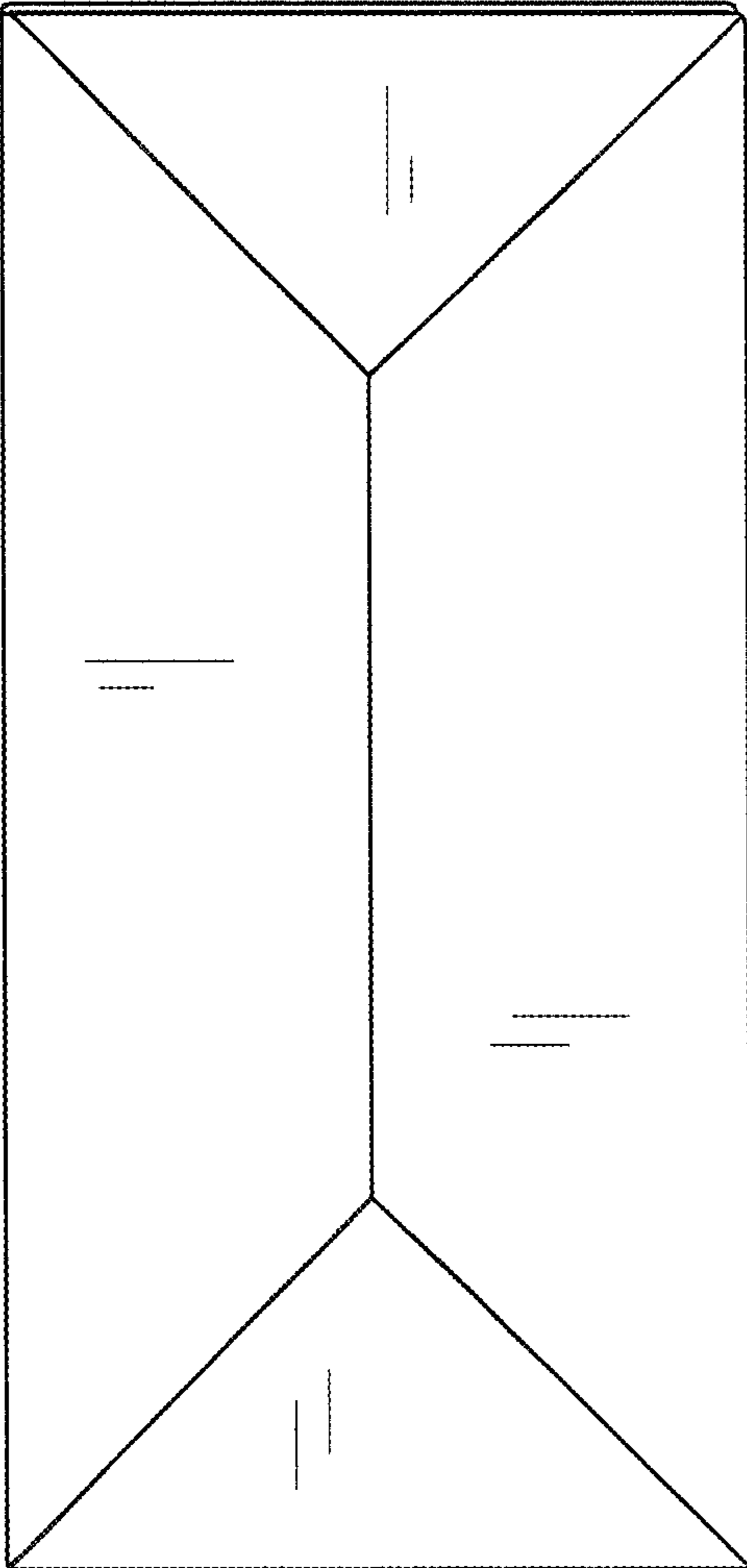


FIG. 8

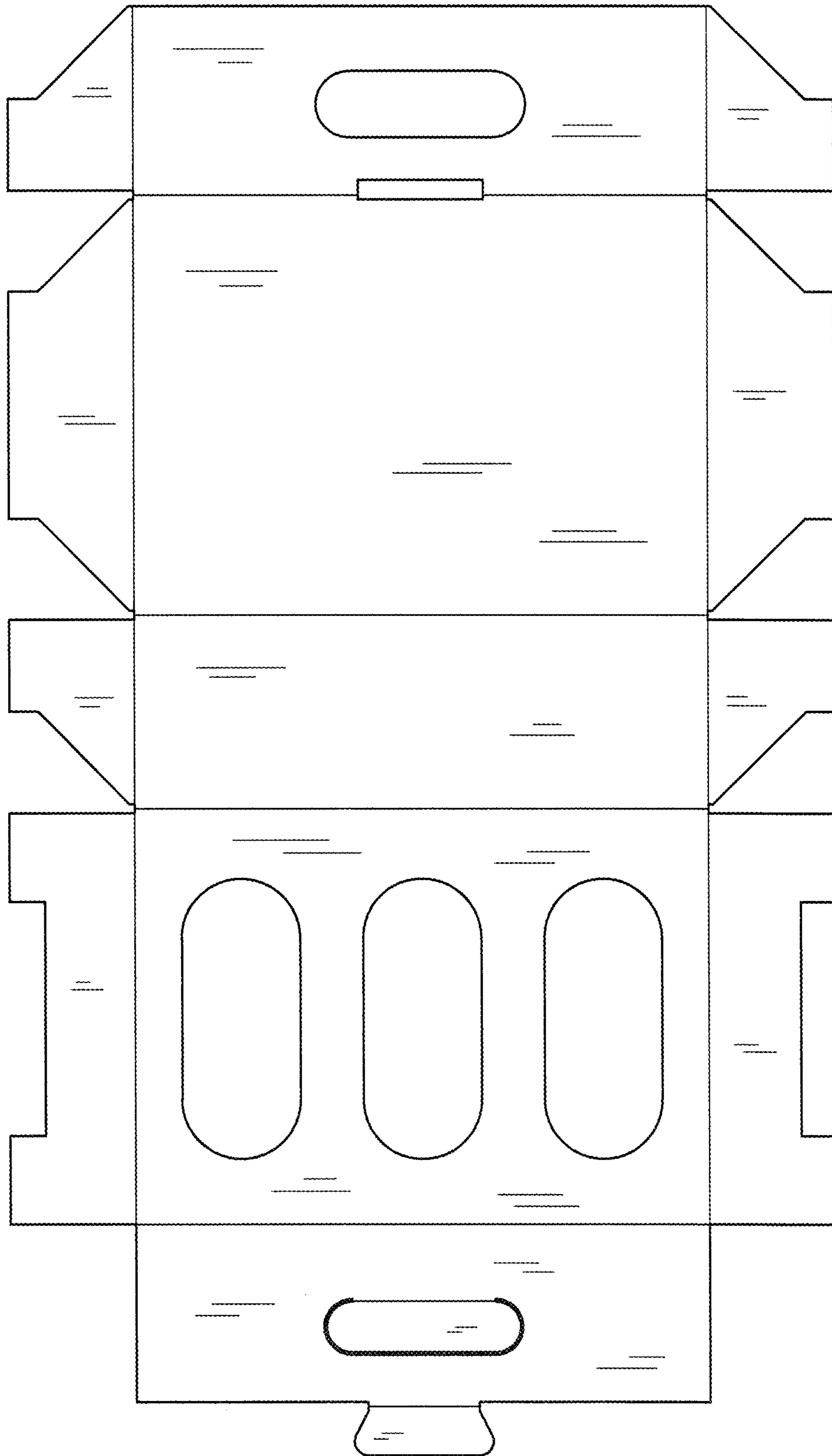


FIG. 9