



US00D913783S

(12) **United States Design Patent**  
**Nolte**

(10) **Patent No.:** **US D913,783 S**  
(45) **Date of Patent:** **\*\* Mar. 23, 2021**

- (54) **CASEMENT WINDOW OPERATOR COVER AND HANDLE**
- (71) Applicant: **Truth Hardware Corporation**,  
Owatonna, MN (US)
- (72) Inventor: **Douglas A. Nolte**, Owatonna, MN (US)
- (73) Assignee: **Truth Hardware Corporation**,  
Owatonna, MN (US)
- (\*\*) Term: **15 Years**
- (21) Appl. No.: **29/658,805**
- (22) Filed: **Aug. 2, 2018**
- (51) **LOC (13) Cl.** ..... **08-09**
- (52) **U.S. Cl.**  
USPC ..... **D8/400**
- (58) **Field of Classification Search**  
USPC ..... D8/330, 331, 308, 346, 336-339  
(Continued)

- (56) **References Cited**  
U.S. PATENT DOCUMENTS  
D160,682 S 10/1950 Zarbock  
D179,639 S 2/1957 Harby et al.  
(Continued)

*Primary Examiner* — John Windmuller  
(74) *Attorney, Agent, or Firm* — Bradley J. Thorson

(57) **CLAIM**  
I claim the ornamental design for casement window operator cover and handle, as shown and described.

**DESCRIPTION**

FIG. 1. is a right side isometric view of a cover portion of a casement window operator cover and handle with left-handed operation according to a first embodiment of the invention;

FIG. 2. is a left side isometric view of the cover portion of the casement window operator cover and handle depicted in FIG. 1;

FIG. 3. is a front elevation view of the cover portion of the casement window operator cover and handle depicted in FIG. 1;

FIG. 4. is a top plan view of the cover portion of the casement window operator cover and handle depicted in FIG. 1;

FIG. 5. is a left side elevation view of the cover portion of the casement window operator cover and handle depicted in FIG. 1;

FIG. 6. is a right side elevation view of the cover portion of the casement window operator cover and handle depicted in FIG. 1;

FIG. 7. is a right side isometric view of the casement window operator cover and handle of FIG. 1 with the handle shown;

FIG. 8. is a left side isometric view of the casement window operator cover and handle of FIG. 1 with the handle shown;

FIG. 9. is a front elevation view of the casement window operator cover and handle depicted in FIG. 1 with the handle shown;

FIG. 10. is a top plan view of the casement window operator cover and handle depicted in FIG. 1 with the handle shown;

FIG. 11. is a left side elevation view of the of the casement window operator cover and handle depicted in FIG. 1 with the handle shown;

FIG. 12. is a right side elevation view of the casement window operator cover and handle depicted in FIG. 1 with the handle shown;

FIG. 13. is a left side isometric view of a cover portion of a casement window operator cover and handle with right-handed operation according to a second embodiment of the invention;

FIG. 14. is a right side isometric view of the cover portion of the casement window operator cover and handle depicted in FIG. 13;

FIG. 15. is a front elevation view of the cover portion of the casement window operator cover and handle depicted in FIG. 13;

(Continued)

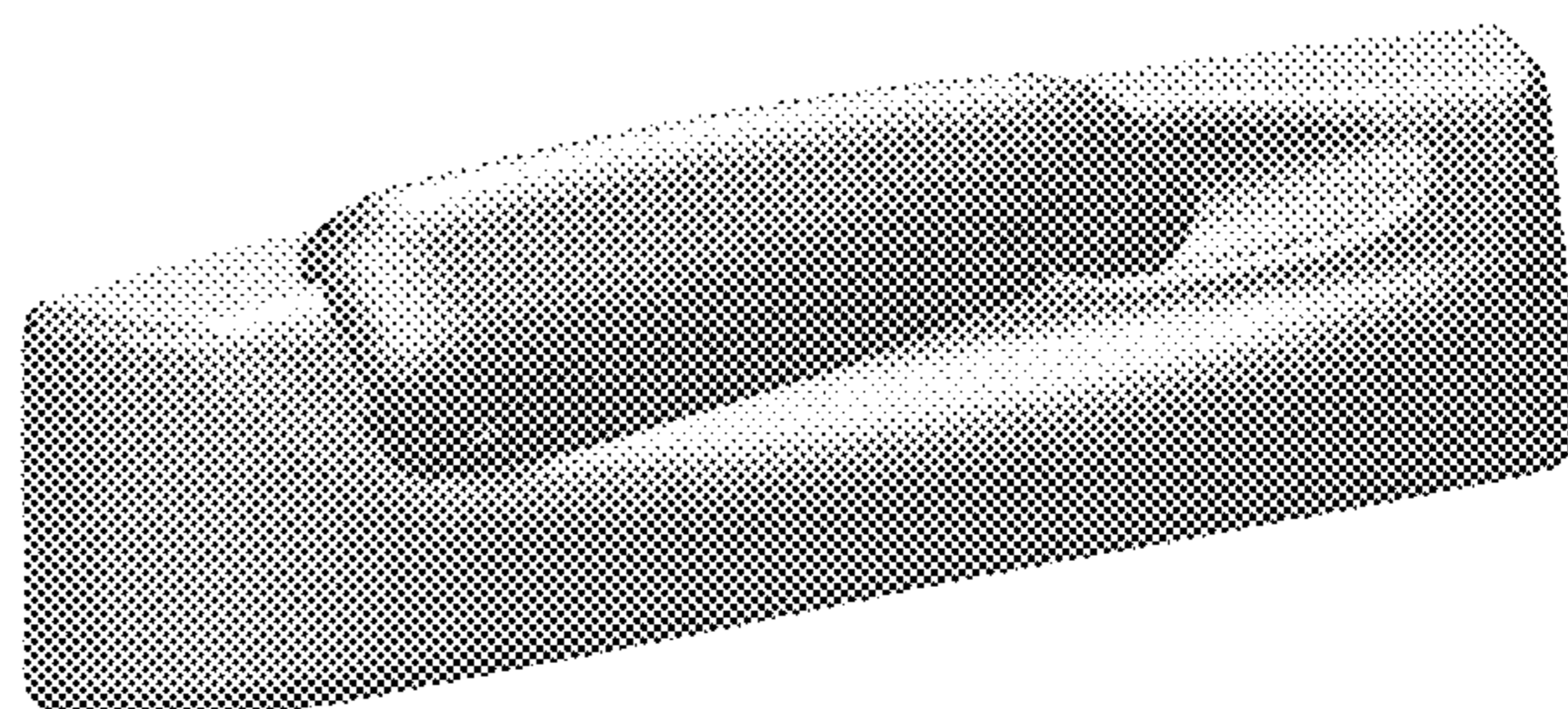
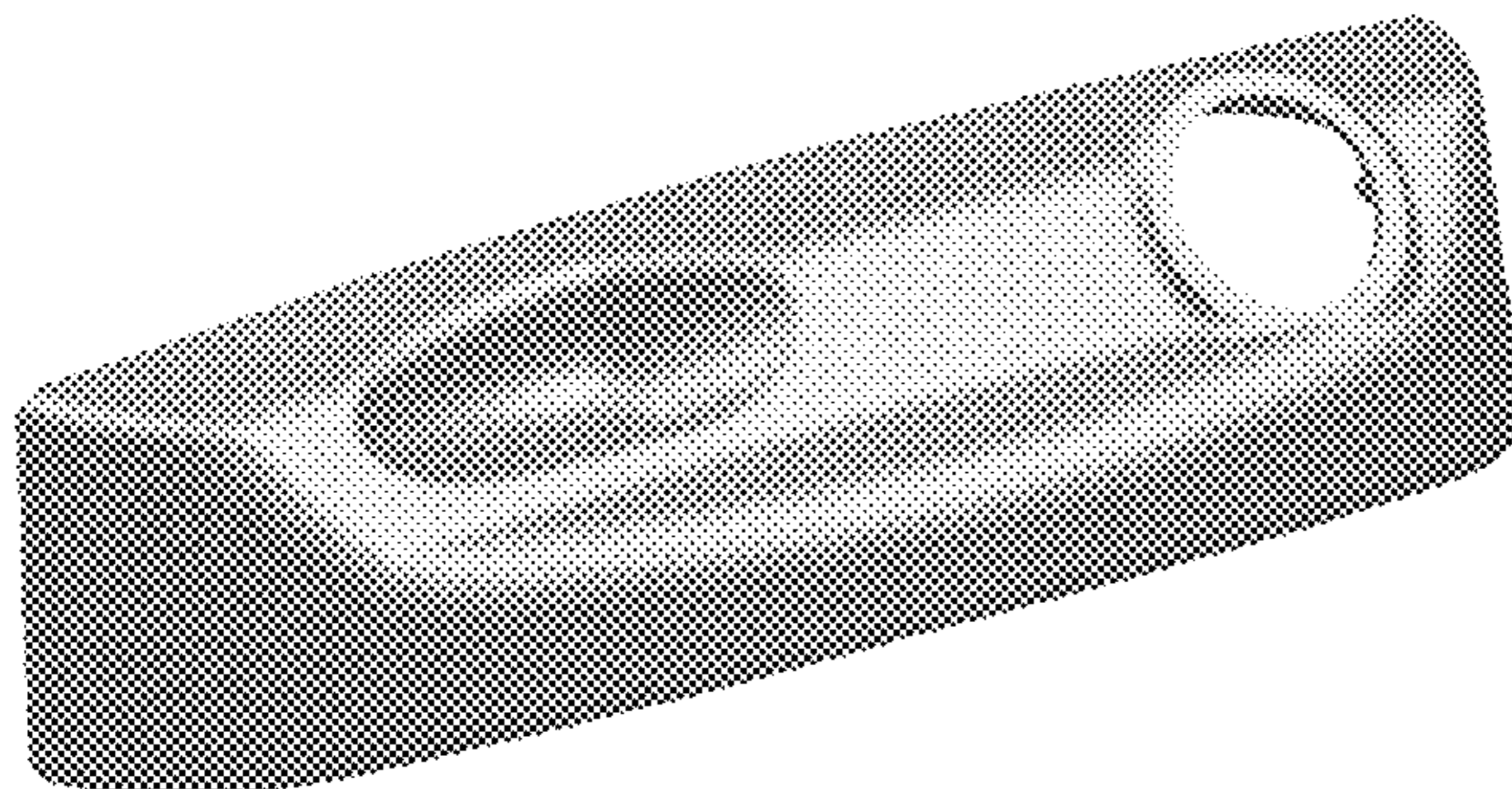


FIG. 16. is a top plan view of the cover portion of the casement window operator cover and handle depicted in FIG. 13;  
 FIG. 17. is a left side elevation view of the cover portion of the casement window operator cover and handle depicted in FIG. 13;  
 FIG. 18. is a right side elevation view of the cover portion of the casement window operator cover and handle depicted in FIG. 13;  
 FIG. 19. is a left side isometric view of the casement window operator cover and handle of FIG. 13 with the handle shown;  
 FIG. 20. is a right side isometric view of the casement window operator cover and handle of FIG. 13 with the handle shown;  
 FIG. 21. is a front elevation view of the casement window operator cover and handle depicted in FIG. 13 with the handle shown;  
 FIG. 22. is a top plan view of the casement window operator cover and handle depicted in FIG. 13 with the handle shown;  
 FIG. 23. is a left side elevation view of the of the casement window operator cover and handle depicted in FIG. 13 with the handle shown; and,  
 FIG. 24. is a right side elevation view of the casement window operator cover and handle depicted in FIG. 13 with the handle shown.

**1 Claim, 8 Drawing Sheets**

(58) **Field of Classification Search**

CPC ..... E05C 3/00; E05C 3/02; E05C 3/04; E05C 3/14; E05C 7/00; E05B 9/02; E05B 9/08; E05B 65/08; E05B 15/00

See application file for complete search history.

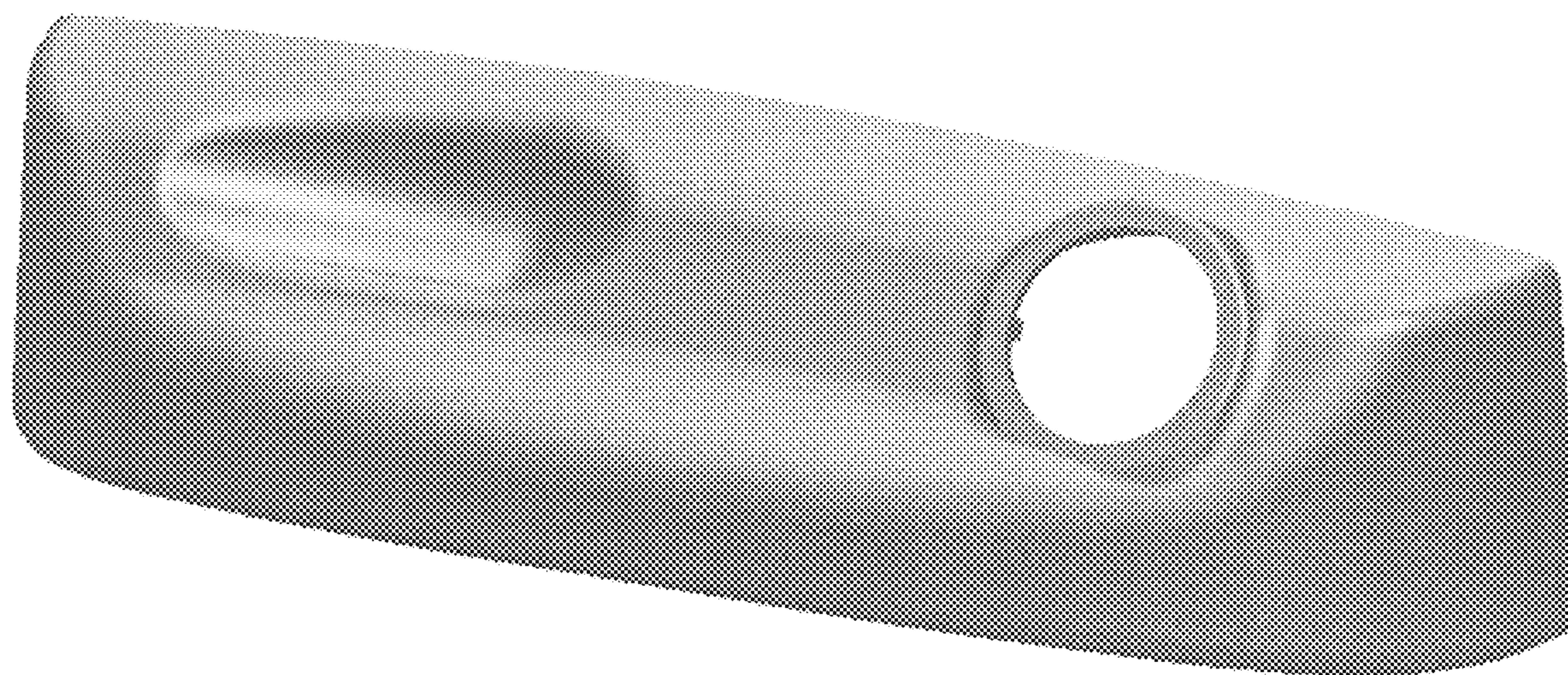
(56) **References Cited**

U.S. PATENT DOCUMENTS

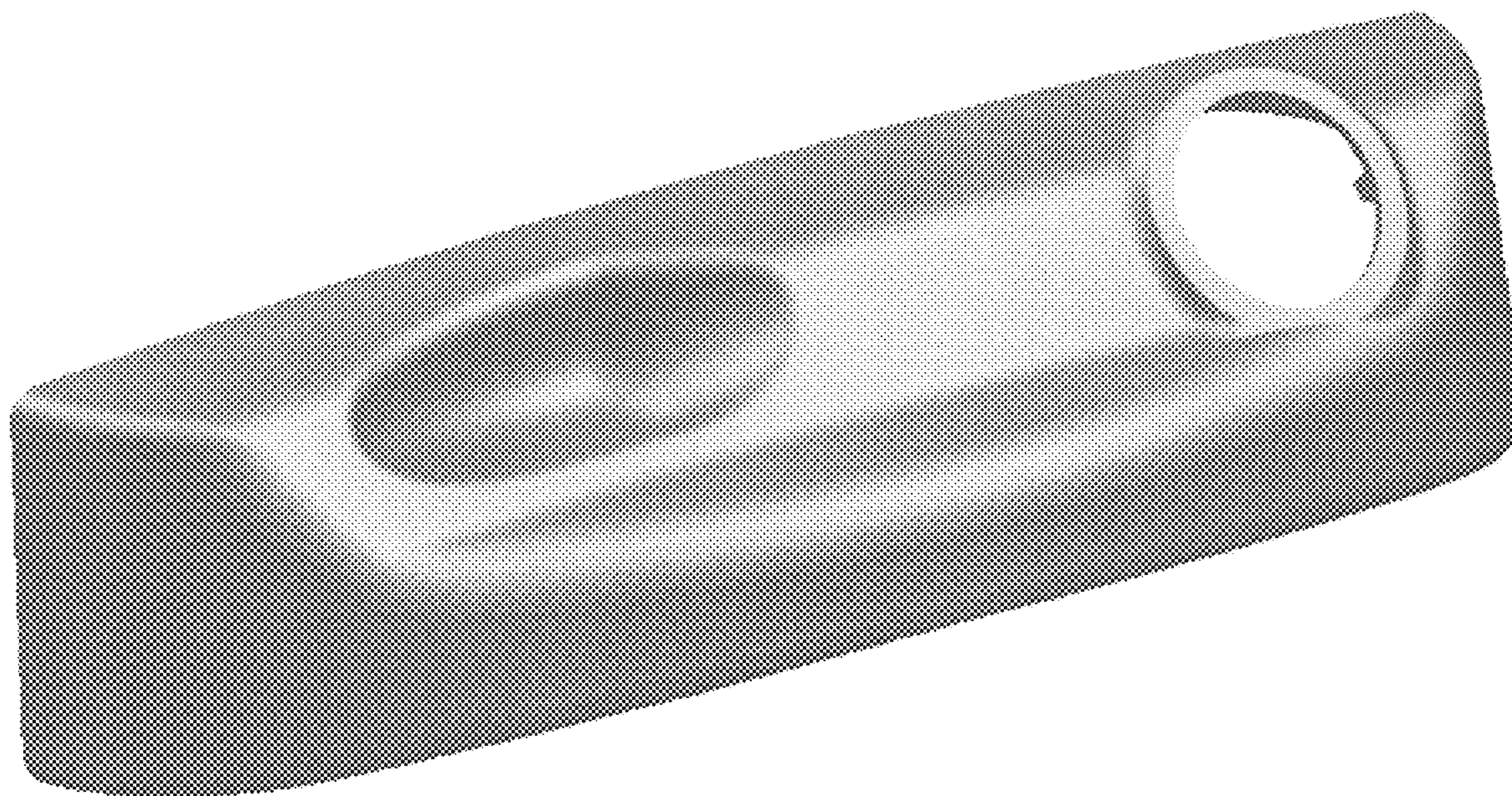
D198,202 S 5/1964 Morgan  
 D217,718 S 6/1970 Magers  
 D316,509 S 4/1991 Nolte  
 D331,531 S 12/1992 Guhl et al.  
 D336,233 S 6/1993 Zimmermann

D347,569 S 6/1994 Vetter et al.  
 D350,666 S 9/1994 Wobschall et al.  
 D360,357 S 7/1995 Peterson et al.  
 D361,490 S 8/1995 Vetter  
 D365,513 S 12/1995 Vetter et al.  
 D369,290 S 4/1996 Subliskey  
 D369,741 S 5/1996 Harrison et al.  
 D375,042 S 10/1996 Anderson et al.  
 D375,254 S 11/1996 Anderson et al.  
 D375,445 S 11/1996 Harrison et al.  
 D375,674 S 11/1996 Anderson et al.  
 D376,099 S 12/1996 Orf et al.  
 D379,917 S 6/1997 Vetter et al.  
 D390,444 S 2/1998 Wintrone  
 D390,454 S 2/1998 Vetter et al.  
 D390,777 S 2/1998 Peterson et al.  
 D408,274 S 4/1999 Vetter et al.  
 D408,729 S 4/1999 Virkler et al.  
 D418,050 S 12/1999 Lisiecki et al.  
 D421,209 S 2/2000 Buckland  
 D450,237 S 11/2001 Vande Steeg et al.  
 D451,781 S 12/2001 Vande Steeg et al.  
 D452,999 S 1/2002 Vande Steeg et al.  
 D457,422 S 5/2002 Gledhill et al.  
 D459,193 S 6/2002 Vande Steeg et al.  
 D459,982 S 7/2002 Vande Steeg et al.  
 D461,391 S 8/2002 Houdek et al.  
 D476,882 S 7/2003 Gledhill et al.  
 D484,787 S 1/2004 Huml  
 D487,012 S \* 2/2004 Stoll ..... D8/337  
 D494,850 S 8/2004 Braun et al.  
 D497,304 S \* 10/2004 Stoll ..... D8/337  
 D506,127 S 6/2005 Vetter et al.  
 D521,847 S 5/2006 Vetter et al.  
 D522,837 S \* 6/2006 Vetter ..... D8/306  
 D533,446 S 12/2006 Vetter  
 D537,335 S \* 2/2007 Vetter ..... D8/400  
 D551,942 S \* 10/2007 Vetter ..... D8/337  
 D591,146 S \* 4/2009 Dallmann ..... D8/400  
 D595,110 S \* 6/2009 Berstler ..... D8/331  
 D595,111 S 6/2009 Jones et al.  
 D649,867 S \* 12/2011 Vetter ..... D8/400  
 D818,798 S \* 5/2018 Black ..... D8/337  
 10,221,607 B2 3/2019 Gramstad  
 2002/0066162 A1 \* 6/2002 Klompenburg ..... E05F 11/34  
 16/429  
 2007/0273162 A1 \* 11/2007 Schultz ..... E05F 11/34  
 292/336.3  
 2008/0066382 A1 \* 3/2008 Erickson ..... E05B 1/0092  
 49/246  
 2019/0063135 A1 2/2019 Wolf et al.

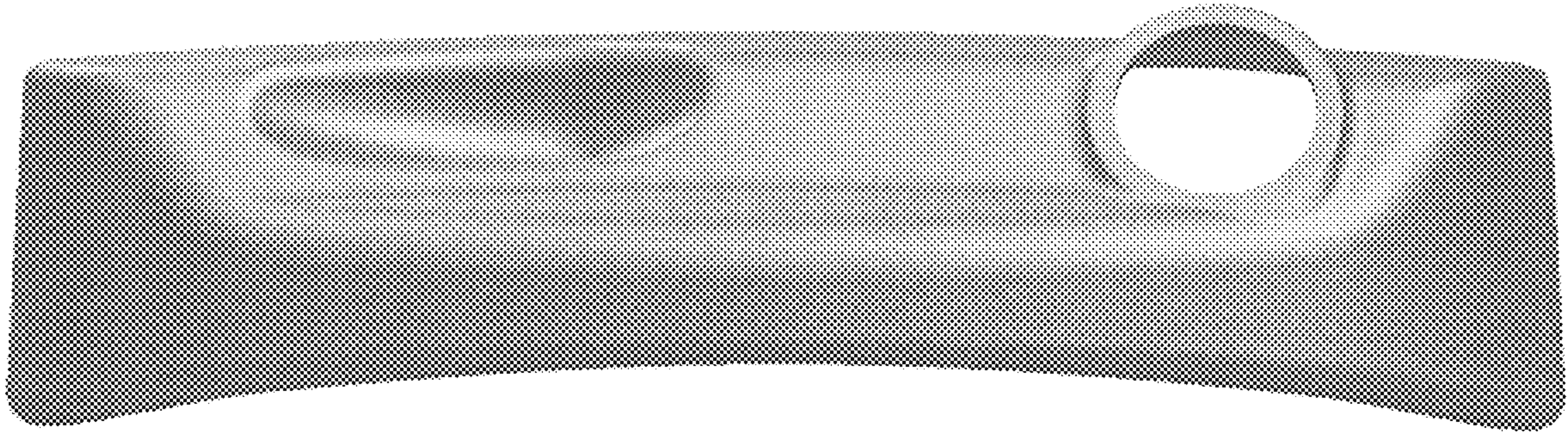
\* cited by examiner



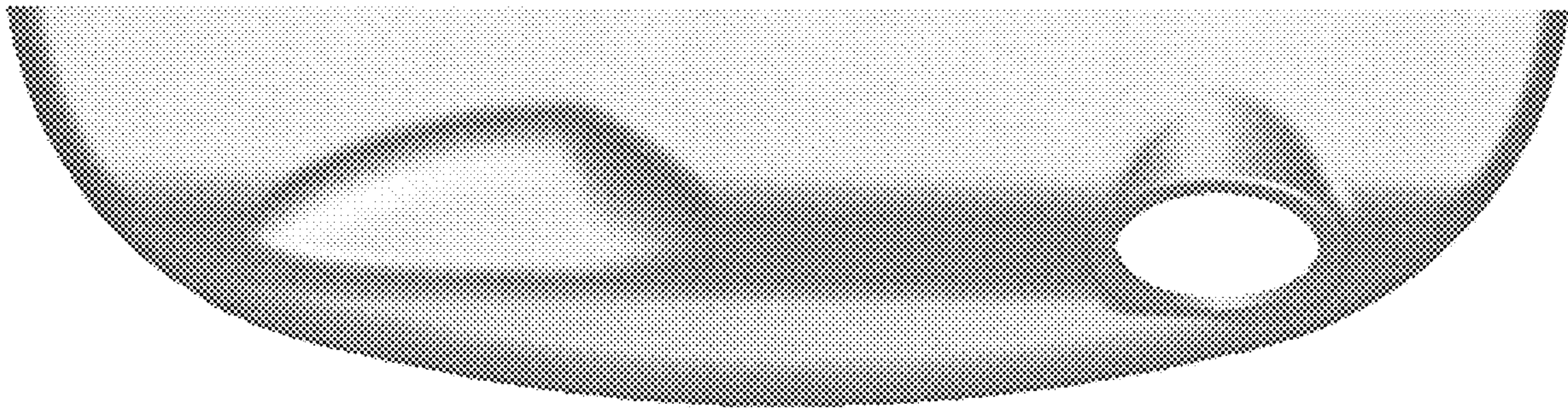
*Fig. 1.*



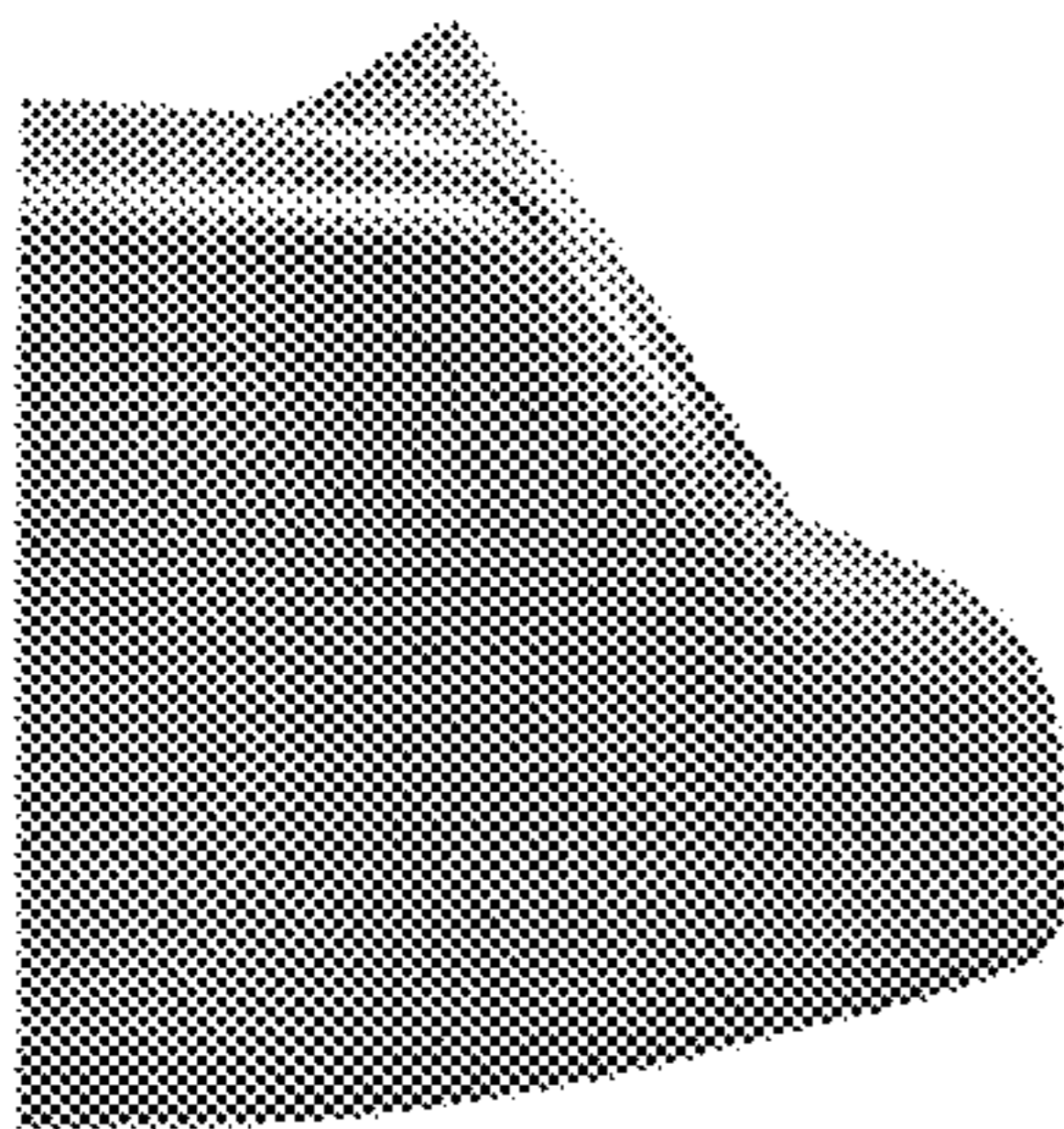
*Fig. 2.*



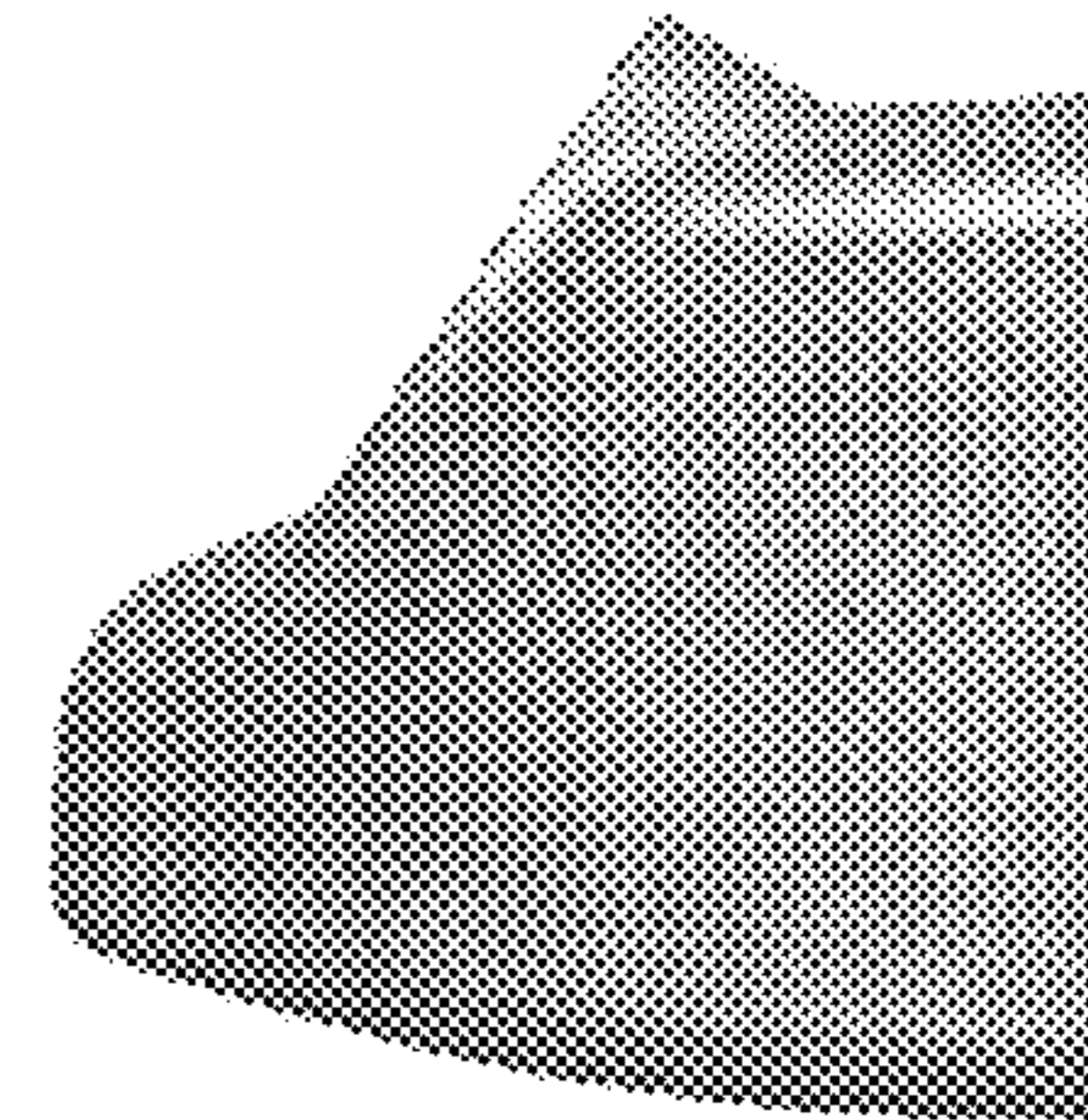
*Fig. 3.*



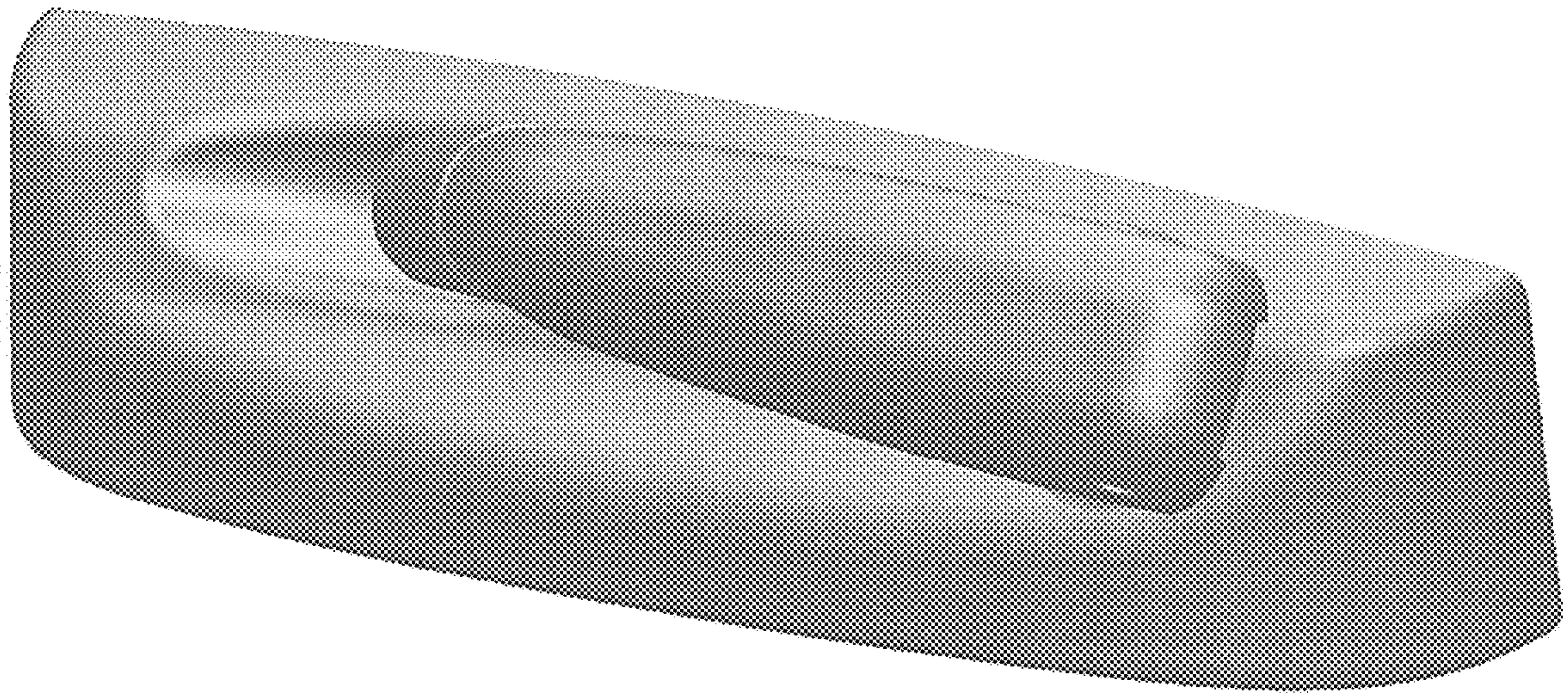
*Fig. 4.*



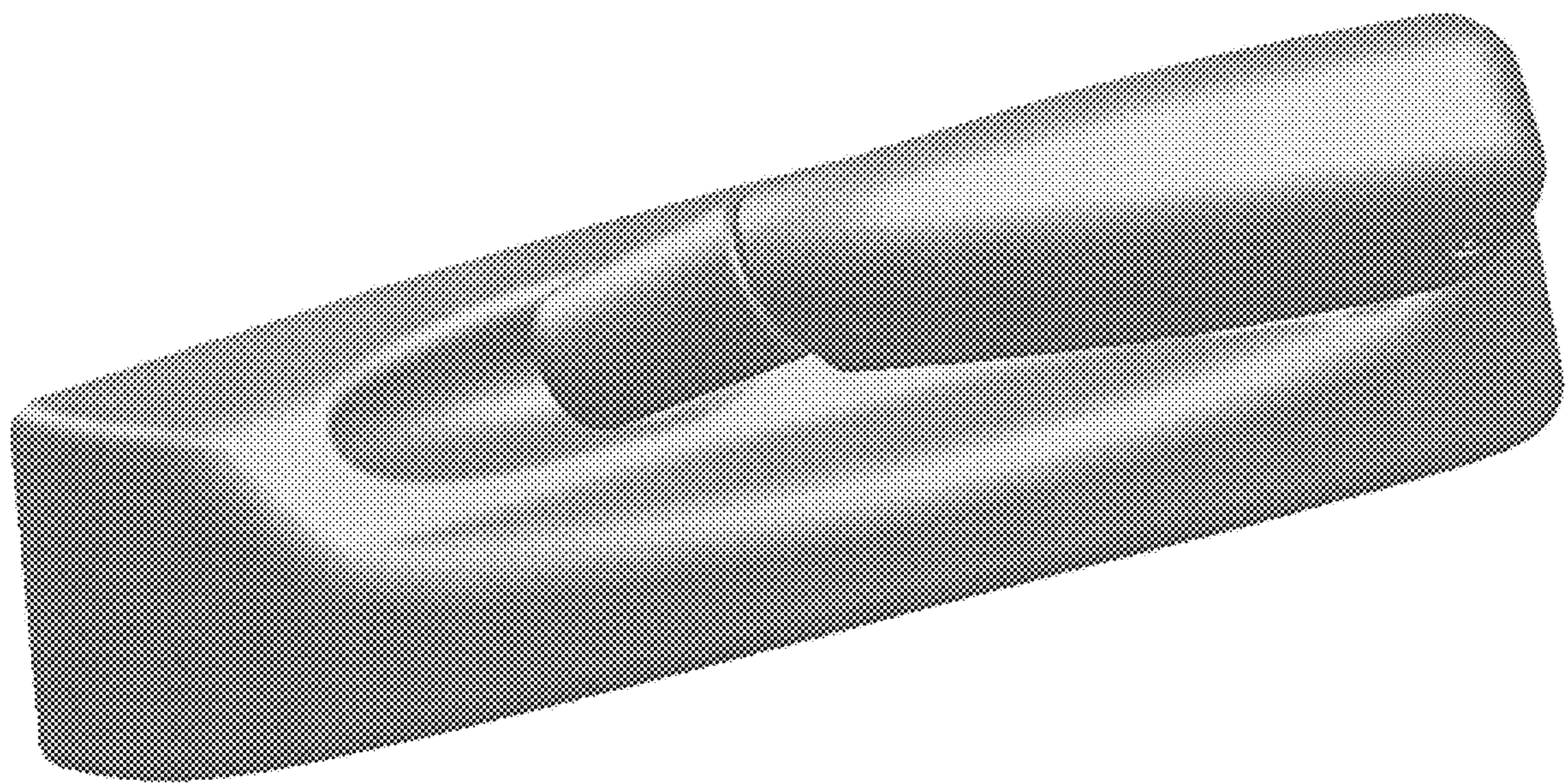
*Fig. 5.*



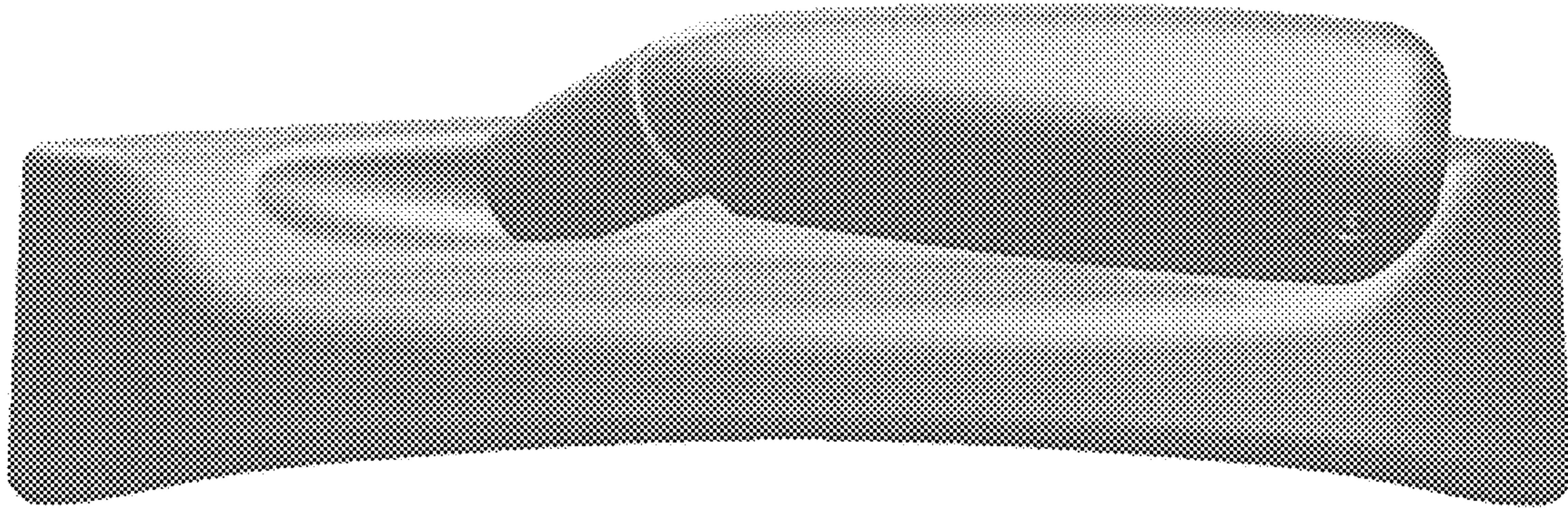
*Fig. 6.*



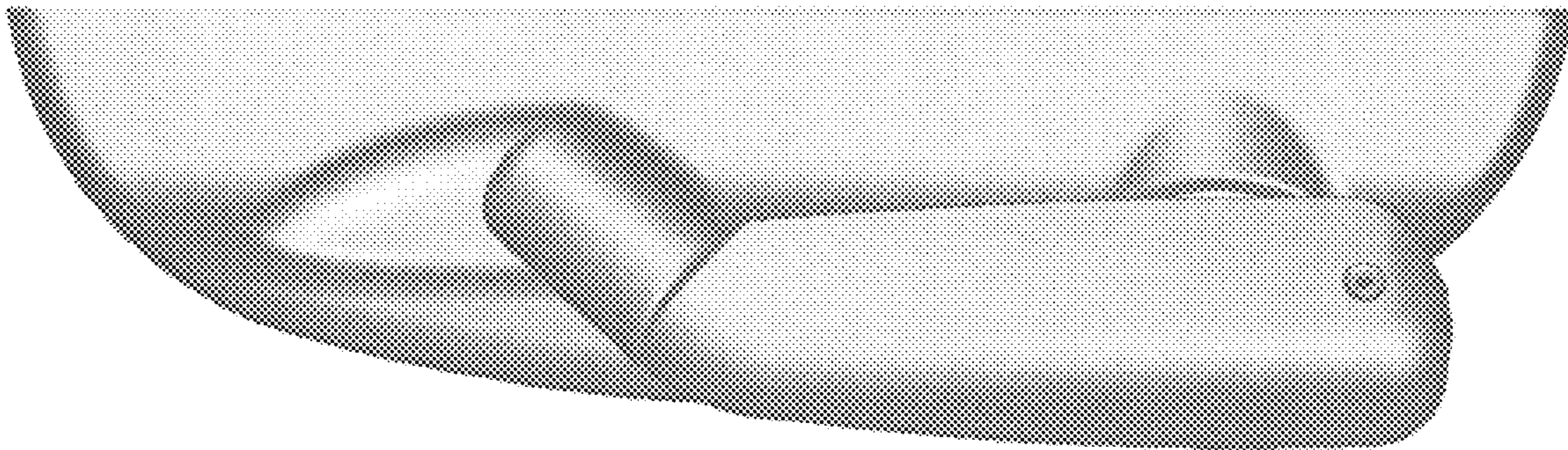
*Fig. 7.*



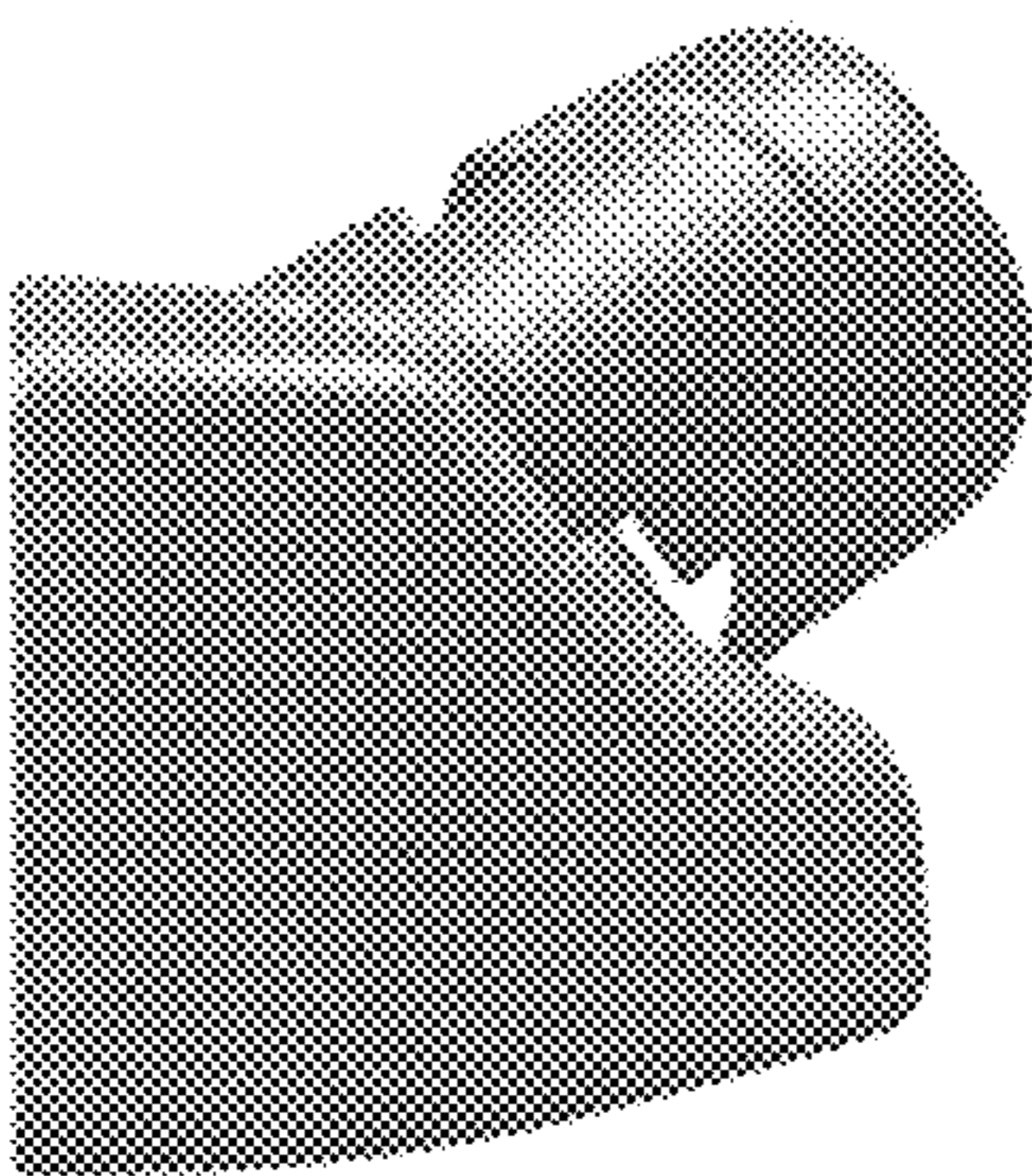
*Fig. 8.*



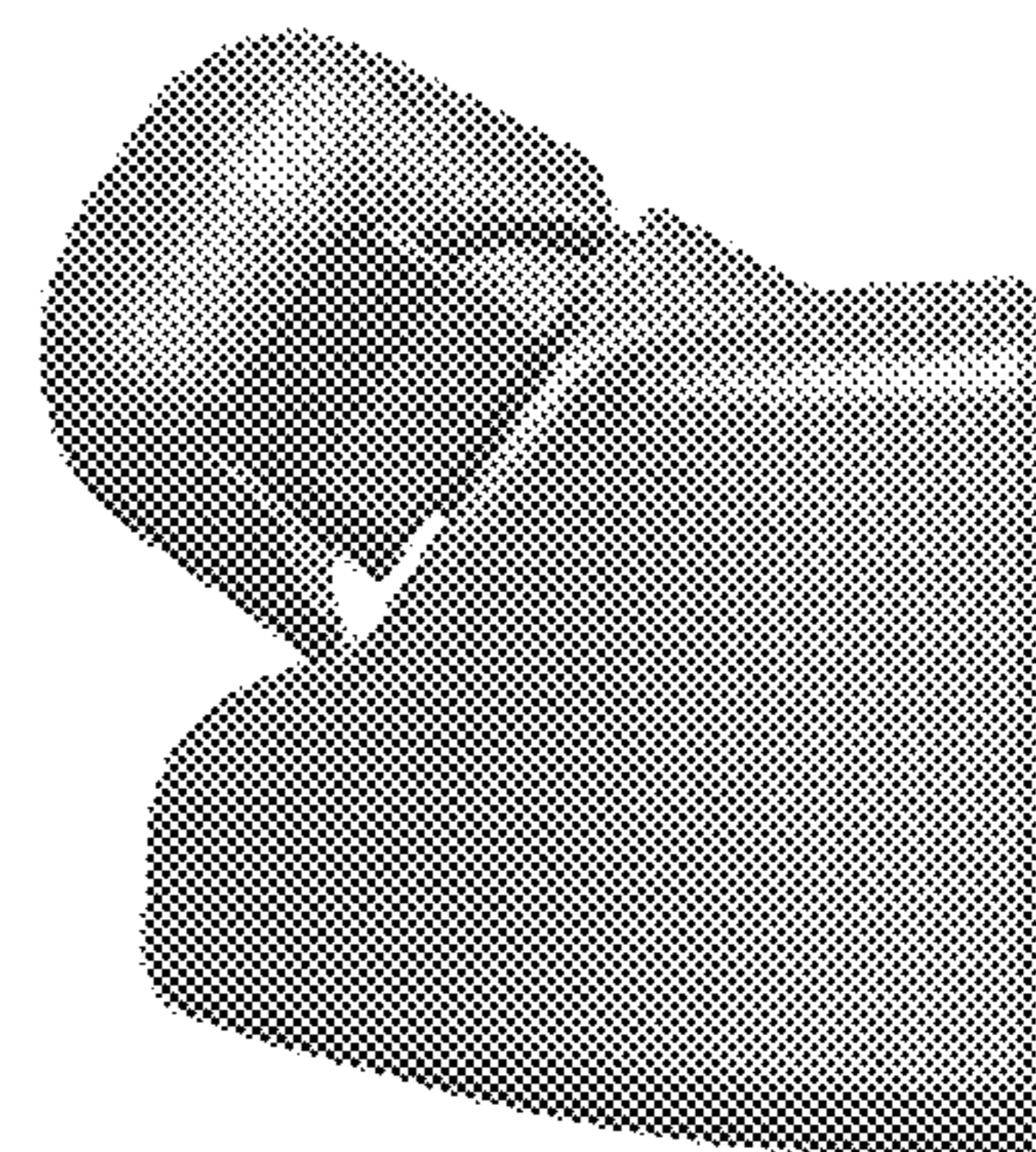
*Fig. 9.*



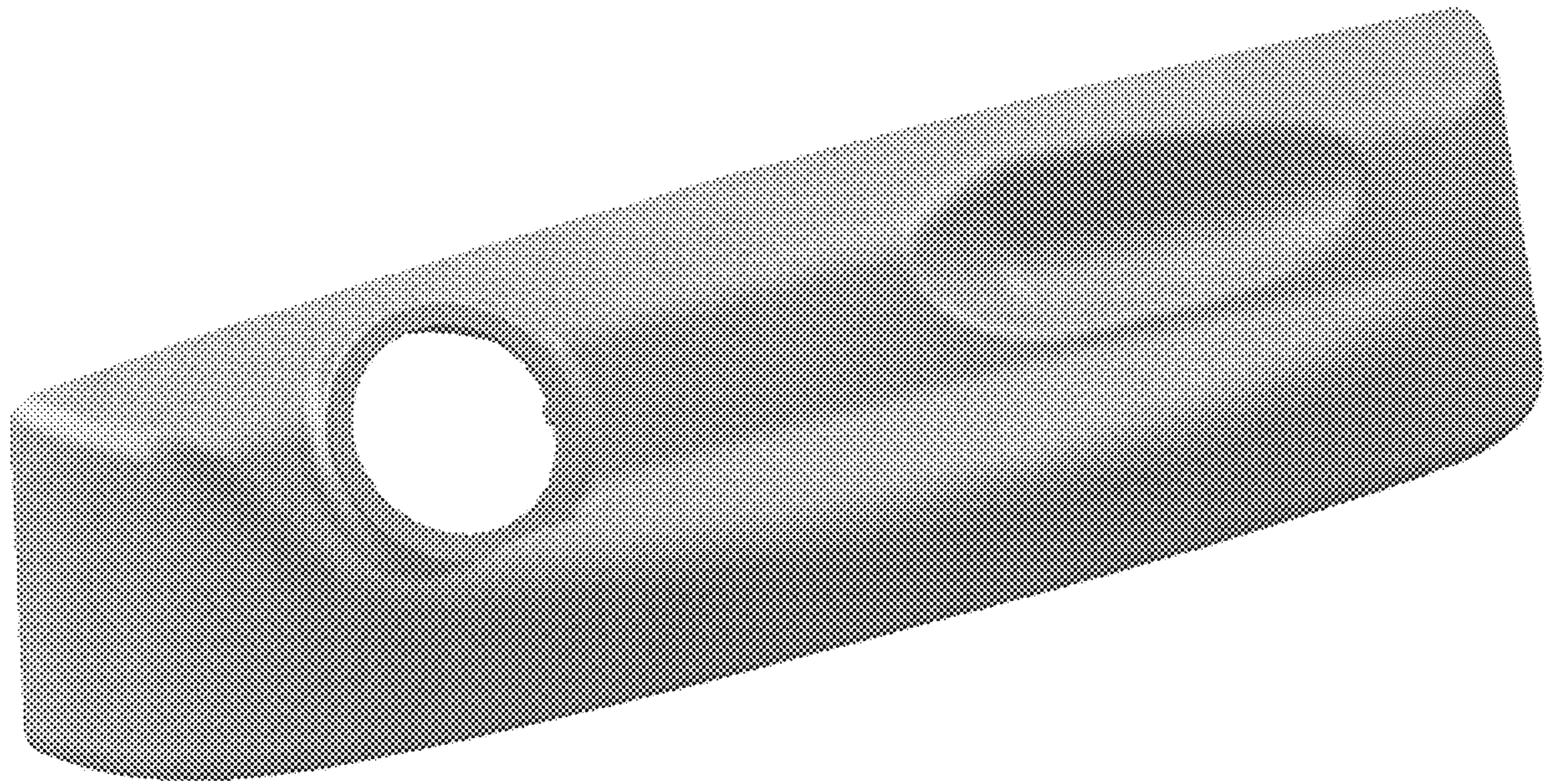
*Fig. 10.*



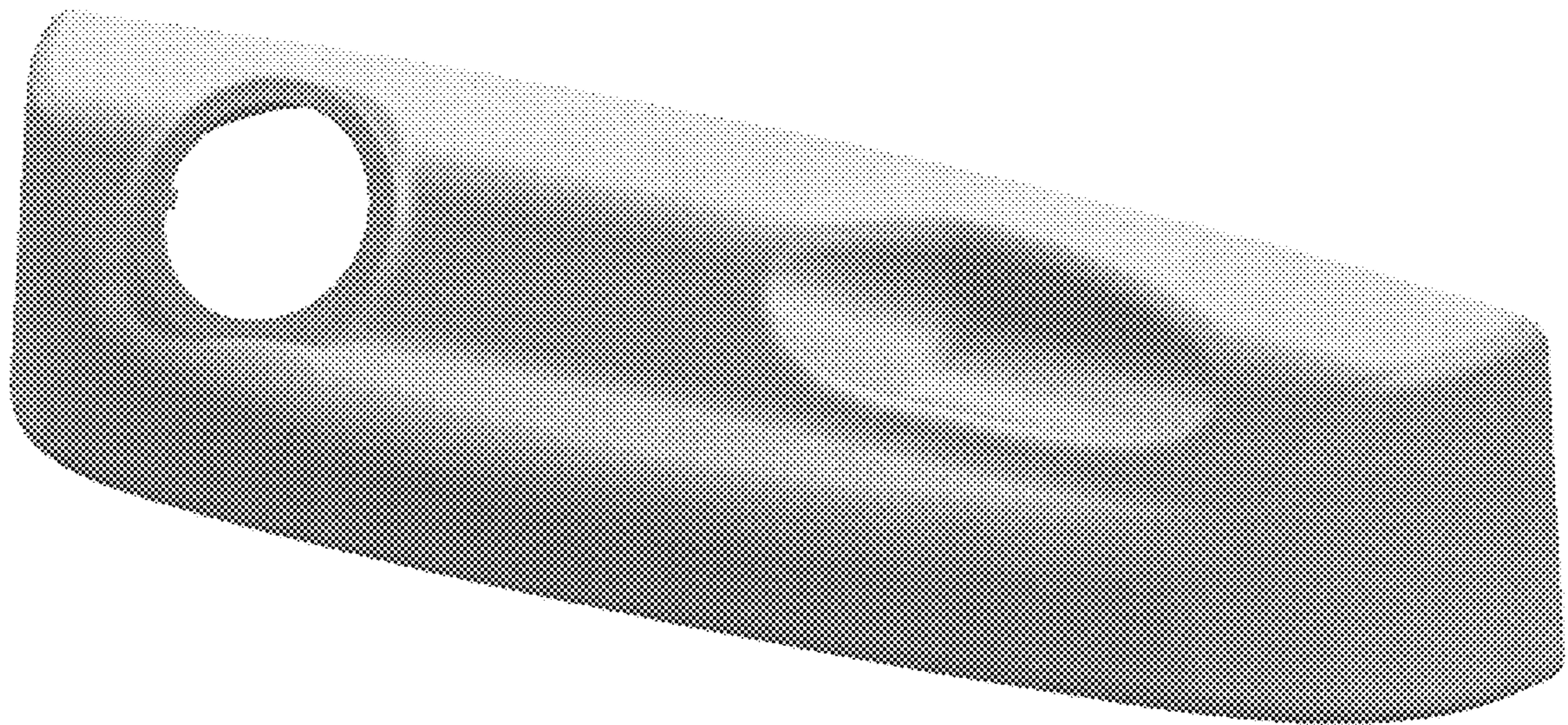
*Fig. 11.*



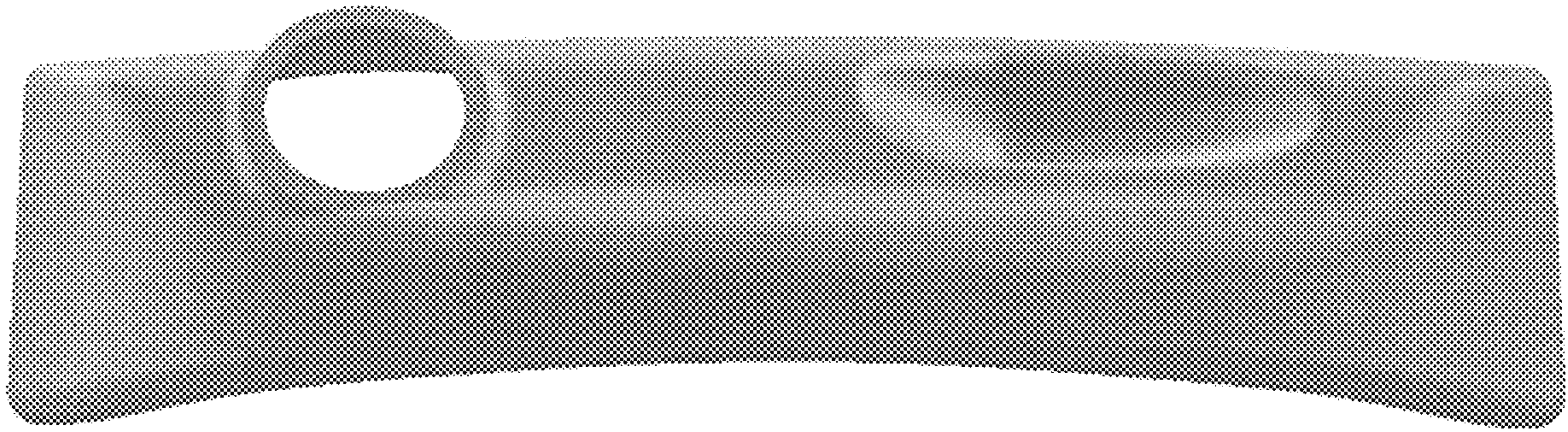
*Fig. 12.*



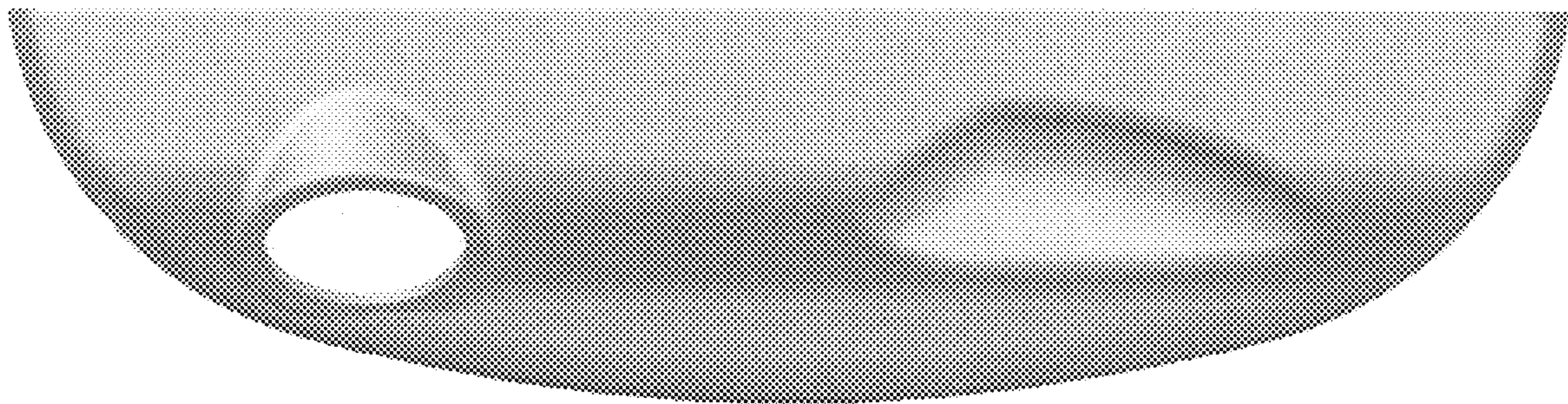
*Fig. 13.*



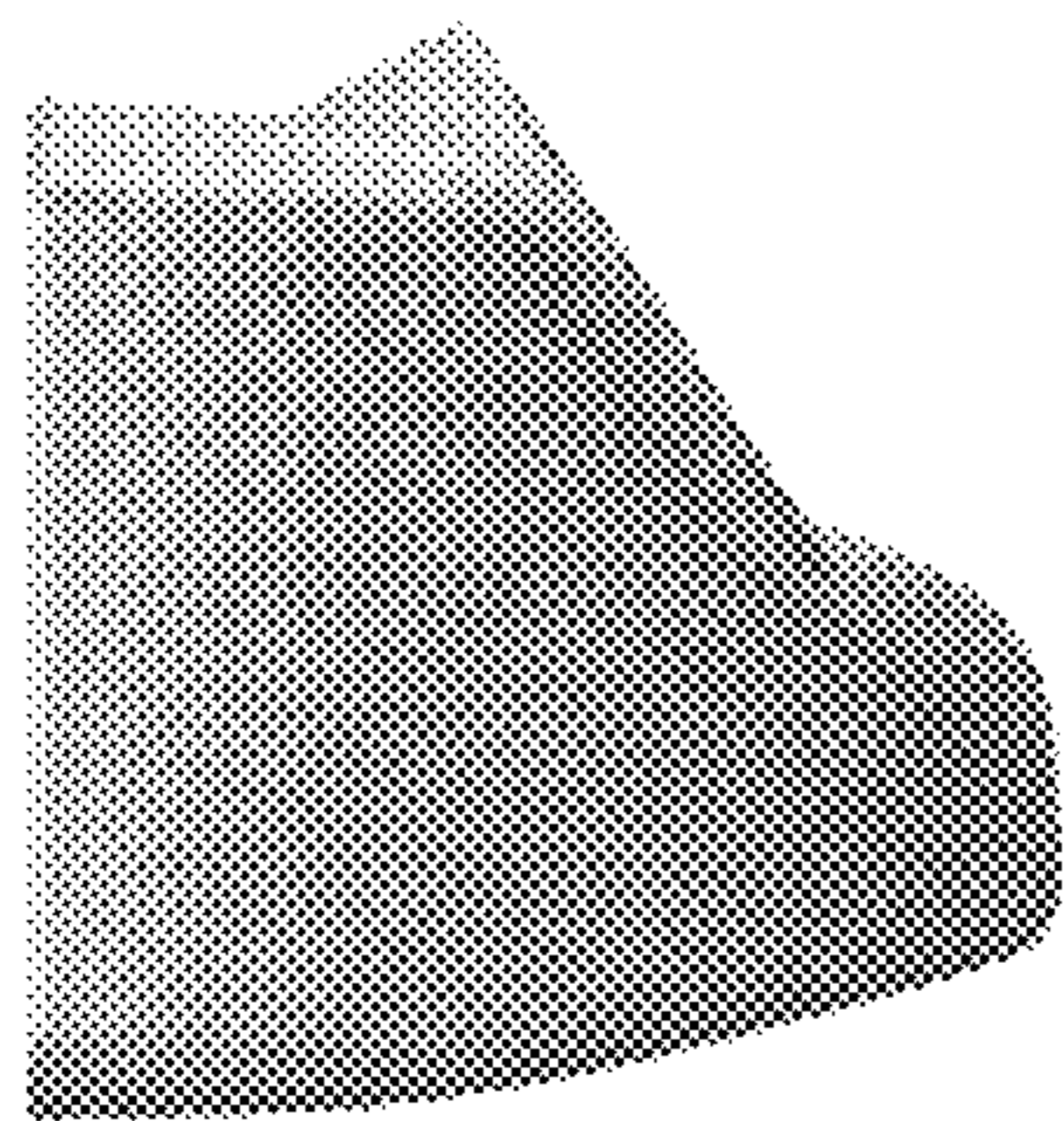
*Fig. 14.*



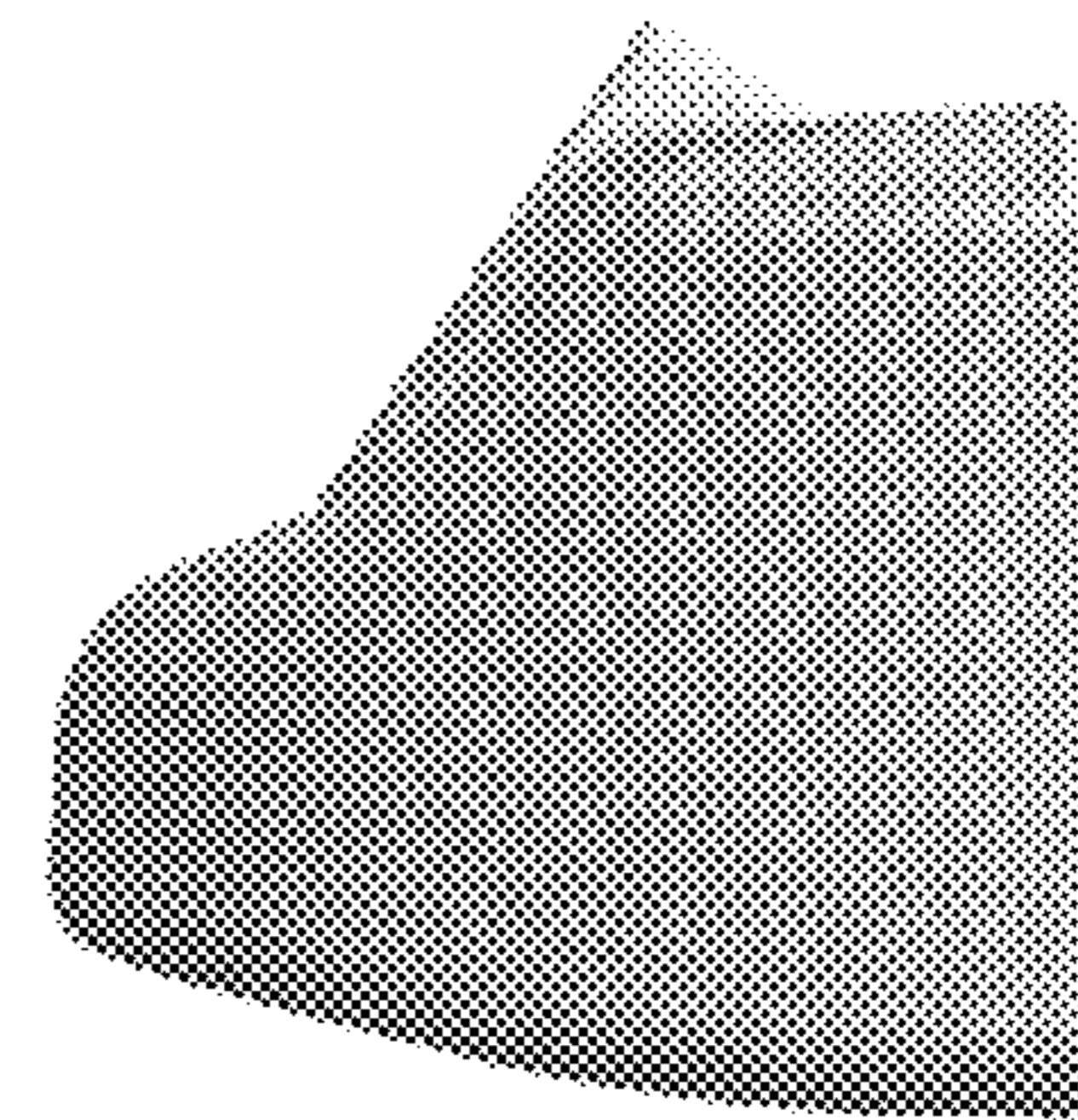
*Fig. 15.*



*Fig. 16.*

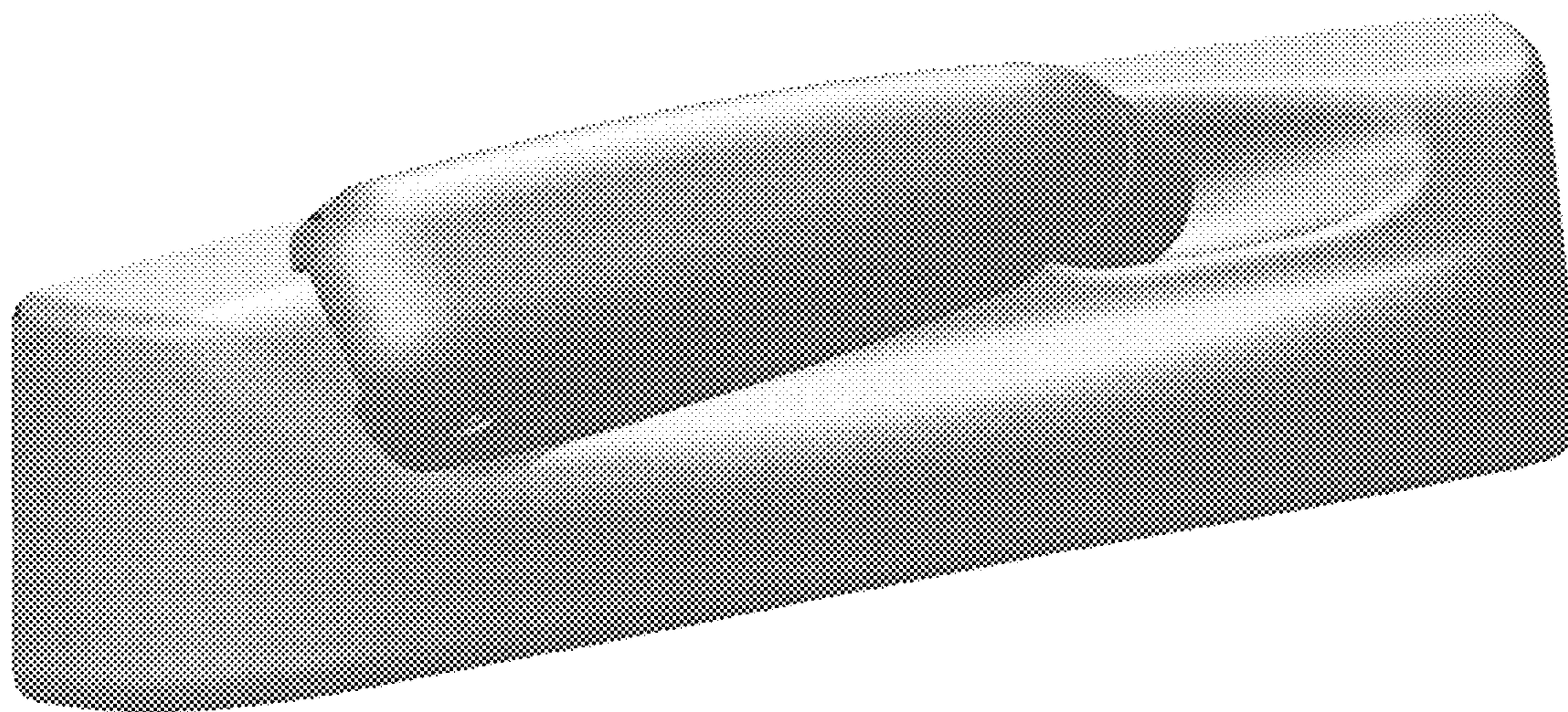


*Fig. 17.*

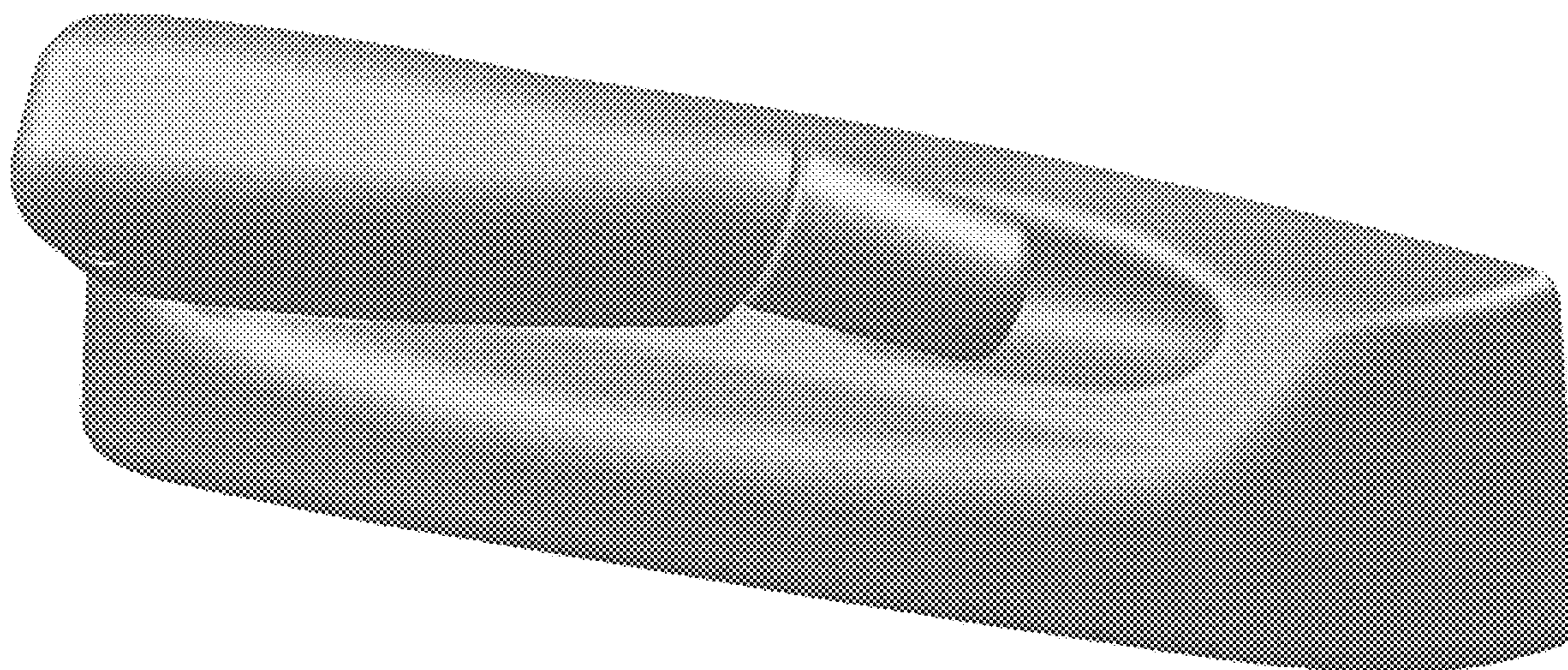


*Fig. 18.*

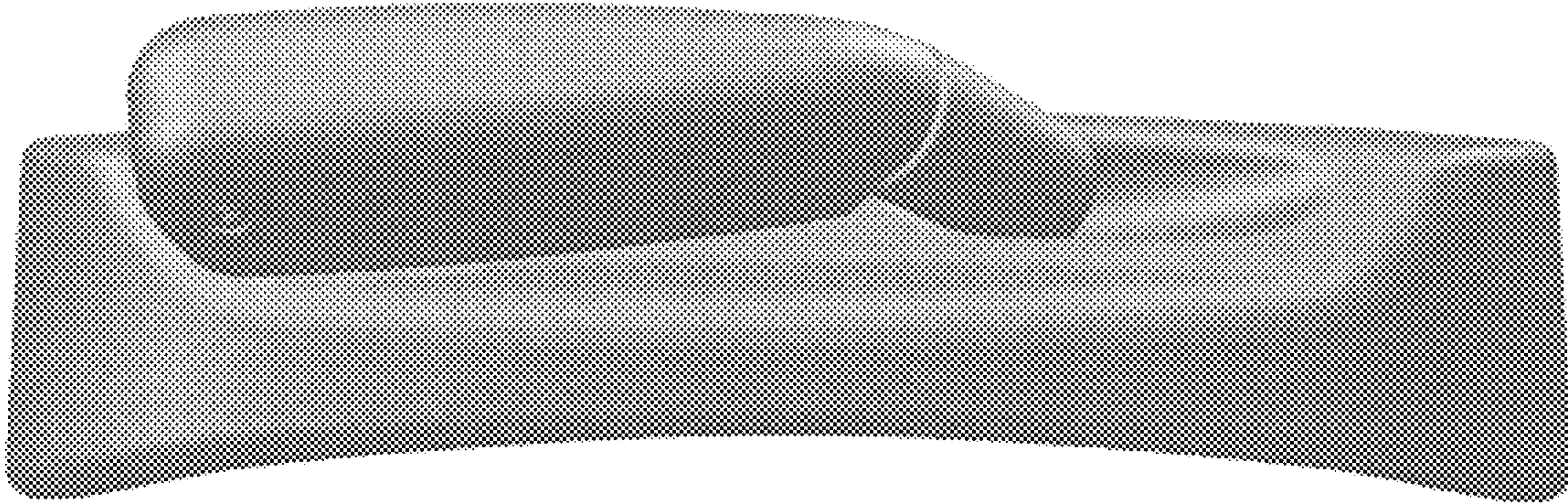




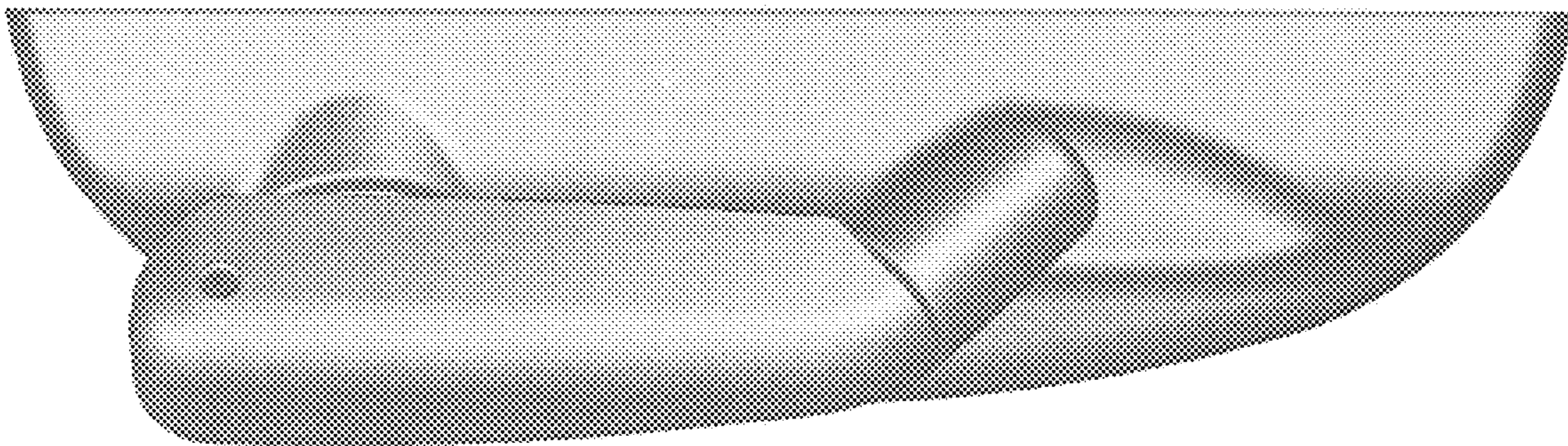
*Fig. 19.*



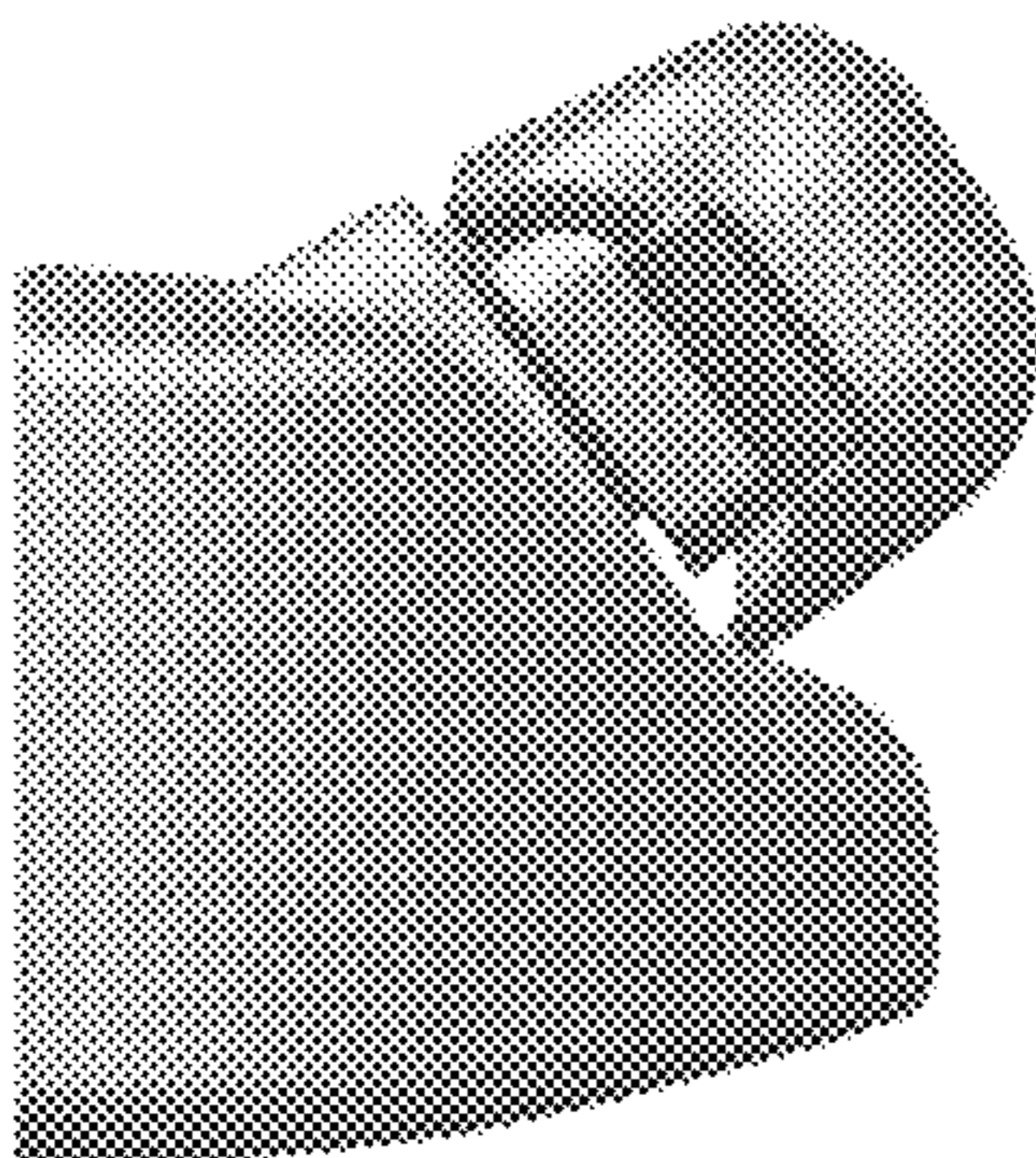
*Fig. 20.*



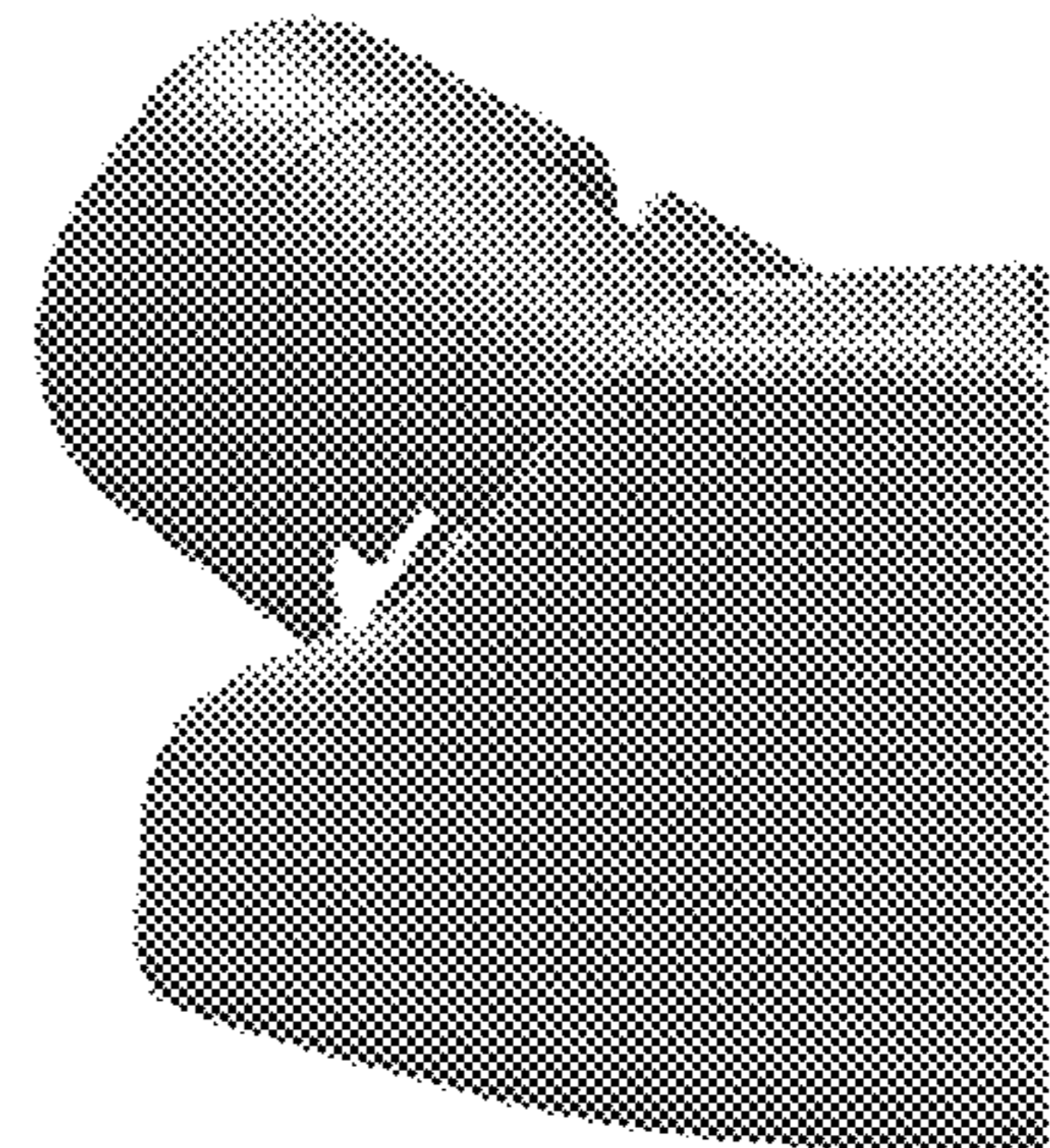
*Fig. 21.*



*Fig. 22.*



*Fig. 23.*



*Fig. 24.*