



US00D913782S

(12) **United States Design Patent**
Vovan et al.

(10) **Patent No.:** **US D913,782 S**
(45) **Date of Patent:** **** Mar. 23, 2021**

- (54) **BLIND FASTENER SLEEVE**
- (71) Applicant: **SPS Technologies, LLC**, Jenkintown, PA (US)
- (72) Inventors: **Terry Vovan**, Upland, CA (US); **Brian Hoffarth**, Santa Ana, CA (US)
- (73) Assignee: **SPS Technologies, LLC**, Jenkintown, PA (US)
- (**) Term: **15 Years**
- (21) Appl. No.: **29/694,133**
- (22) Filed: **Jun. 7, 2019**
- (51) **LOC (13) Cl.** **08-08**
- (52) **U.S. Cl.**
USPC **D8/397; D8/387**
- (58) **Field of Classification Search**
USPC D8/385, 387, 388, 391, 397
CPC .. F16B 5/0258; F16B 19/1063; F16B 19/004;
F16B 2019/006; F16B 2019/1009; F16B
2019/1018; F16B 19/1036; F16B
19/1072; F16B 19/1054; F16B 23/0007;
F16B 23/0015; F16B 23/0023; F16B
23/003; F16B 23/0038; F16B 23/0046;
F16B 23/00; F16B 23/0092; F16B
23/0084; F16B 25/0036; F16B 25/0042;
F16B 25/0015; F16B 25/0021; F16B
25/0026; F16B 25/0031; F16B 25/0047;
F16B 25/001; F16B 25/00; F16B 27/00;
F16B 29/00; F16B 33/00; F16B 33/02;
F16B 35/041; F16B 35/048; F16B 37/145
See application file for complete search history.

(56) **References Cited**

U.S. PATENT DOCUMENTS

- 2,971,425 A * 2/1961 Blakeley B25B 31/005
411/28
- 3,643,544 A * 2/1972 Massa F16B 19/1063
411/43

- 5,092,723 A * 3/1992 Compton B21J 15/12
411/120
- 5,238,342 A * 8/1993 Stencil F16B 19/1036
411/329
- D356,493 S * 3/1995 Holzapfel D8/397
- D372,857 S * 8/1996 Hirai D8/387
- D464,253 S * 10/2002 Nimberger D10/60
- D659,218 S * 5/2012 Palomaki D22/107
- D764,267 S * 8/2016 Hutter, III D8/387
- 9,822,907 B1 * 11/2017 Hennon F16B 43/001
- D834,679 S * 11/2018 Garcia, Jr. D22/108
- 2002/0006319 A1 * 1/2002 Ross F16B 39/282
411/378
- 2004/0231467 A1 * 11/2004 Hufnagl F16B 23/0061
81/55
- 2006/0159545 A1 * 7/2006 Humpert B23P 19/062
411/181
- 2007/0243035 A1 * 10/2007 Pratt F16B 31/021
411/15

(Continued)

Primary Examiner — Sandra Snapp
Assistant Examiner — Ieisha N Price
(74) *Attorney, Agent, or Firm* — Burriss Law, PLLC

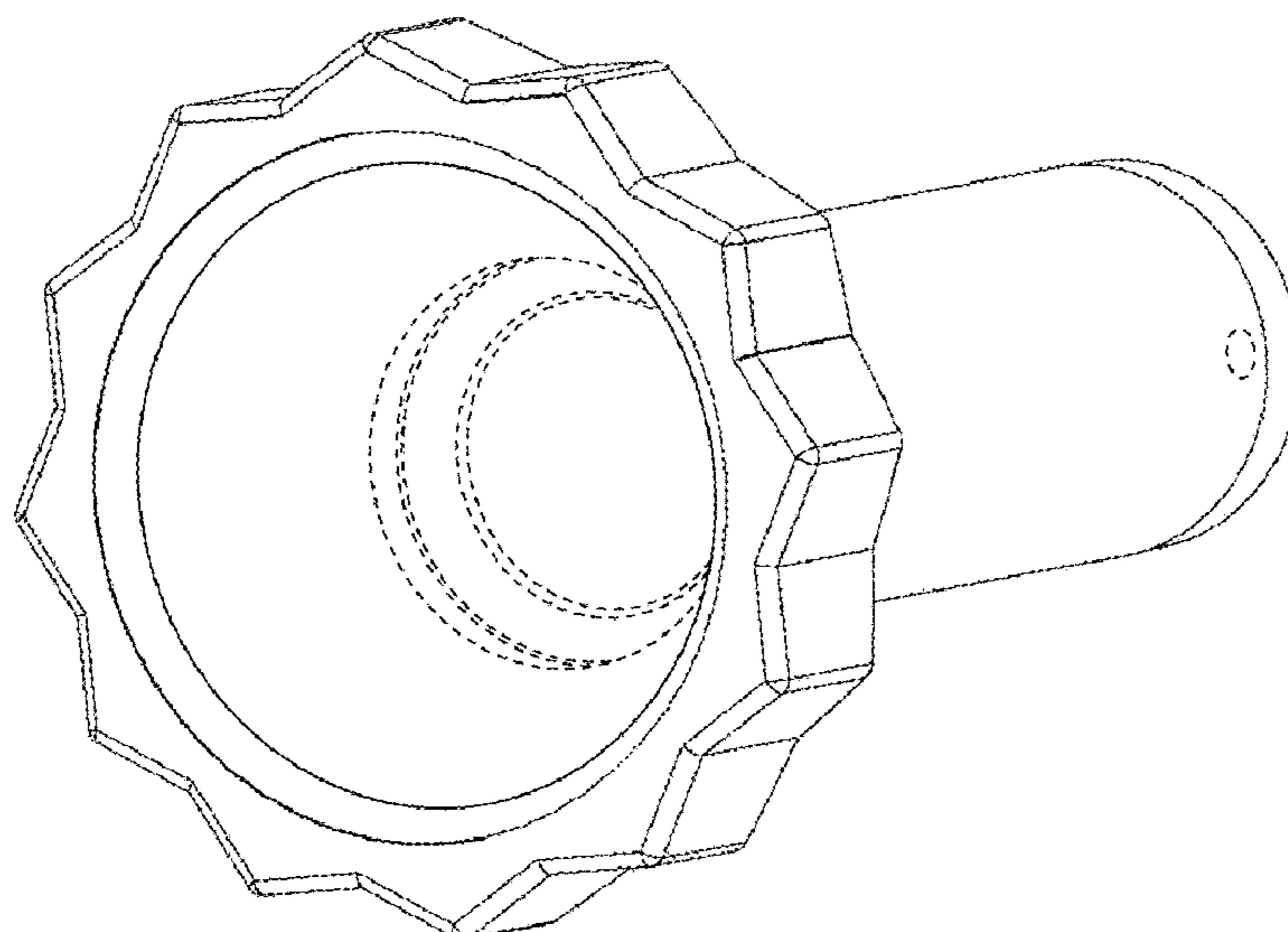
(57) **CLAIM**

The ornamental design for a blind fastener sleeve, as shown and described.

DESCRIPTION

FIG. 1 is a top-front perspective view of the blind fastener sleeve;
FIG. 2 is a bottom-rear perspective view thereof;
FIG. 3 is a side view thereof;
FIG. 4 is another side view thereof;
FIG. 5 is a top view thereof; and,
FIG. 6 is a bottom view thereof.
The broken lines in the drawings illustrate portions of the blind fastener sleeve and form no part of the claimed design.

1 Claim, 3 Drawing Sheets



(56)

References Cited

U.S. PATENT DOCUMENTS

2008/0075555 A1* 3/2008 March F16B 35/048
411/361
2009/0202318 A1* 8/2009 Wang F16B 5/0208
411/295
2009/0304477 A1* 12/2009 Dai F16B 37/145
411/180
2012/0011702 A1* 1/2012 Pratt F16B 19/1045
29/525.02
2014/0033494 A1* 2/2014 O'Sullivan F16B 23/00
29/426.2
2014/0044498 A1* 2/2014 Hufnagl F16B 19/1072
411/43
2014/0047699 A1* 2/2014 Pratt F16B 19/1063
29/525.06
2014/0201974 A1* 7/2014 Mitchell B21J 15/04
29/524.1
2014/0341649 A1* 11/2014 Bryan B66C 23/78
404/35
2015/0078860 A1* 3/2015 Ellingson F16B 33/02
411/368
2016/0102700 A1* 4/2016 Ulrich F16B 23/0007
411/166
2016/0169260 A1* 6/2016 Pratt F16B 13/04
411/38
2016/0222222 A1* 8/2016 Stupar F16B 33/06
2016/0312816 A1* 10/2016 Bjelobradic F16B 23/0038
2017/0138383 A1* 5/2017 Busby F16B 39/22
2018/0106300 A1* 4/2018 Imhoff F16B 35/06
2018/0156255 A1* 6/2018 Kowalenko F16B 37/127
2019/0032712 A1* 1/2019 Iraki F16B 9/054
2019/0160520 A1* 5/2019 Cobzaru B21J 15/12
2019/0162222 A1* 5/2019 Vovan F16B 19/1063
2019/0383319 A1* 12/2019 Simpson C09D 5/24

* cited by examiner

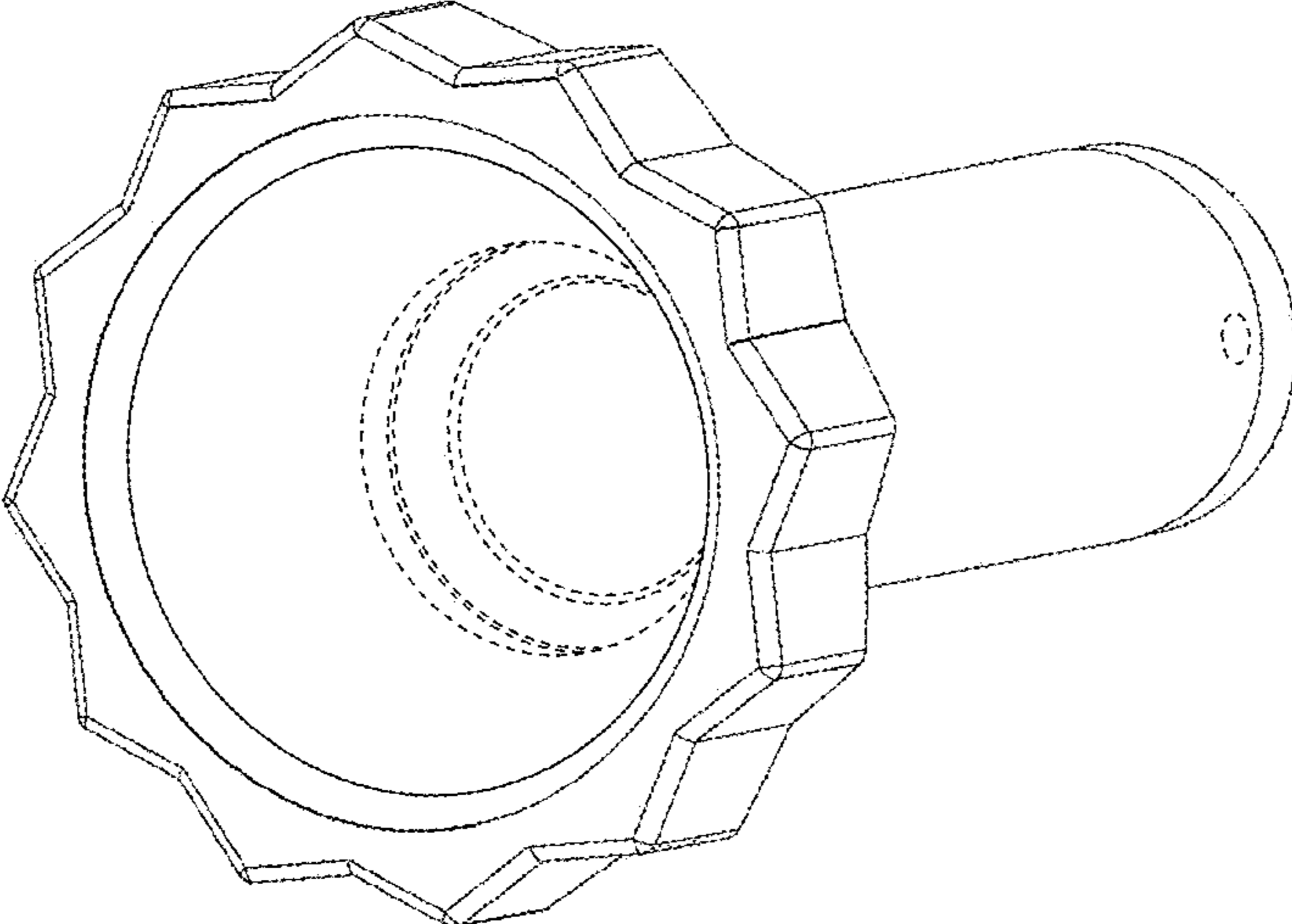


FIG. 1

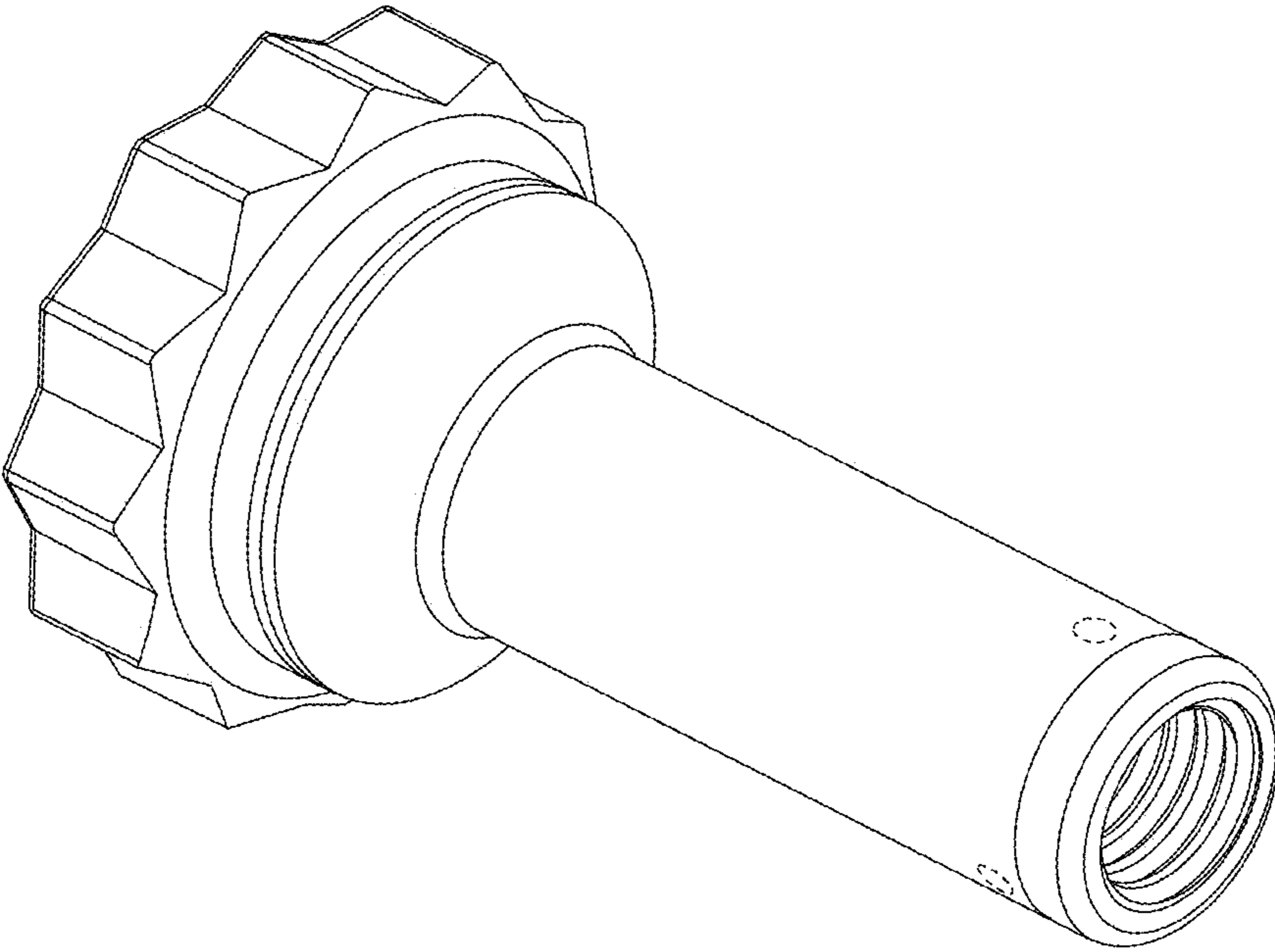


FIG. 2

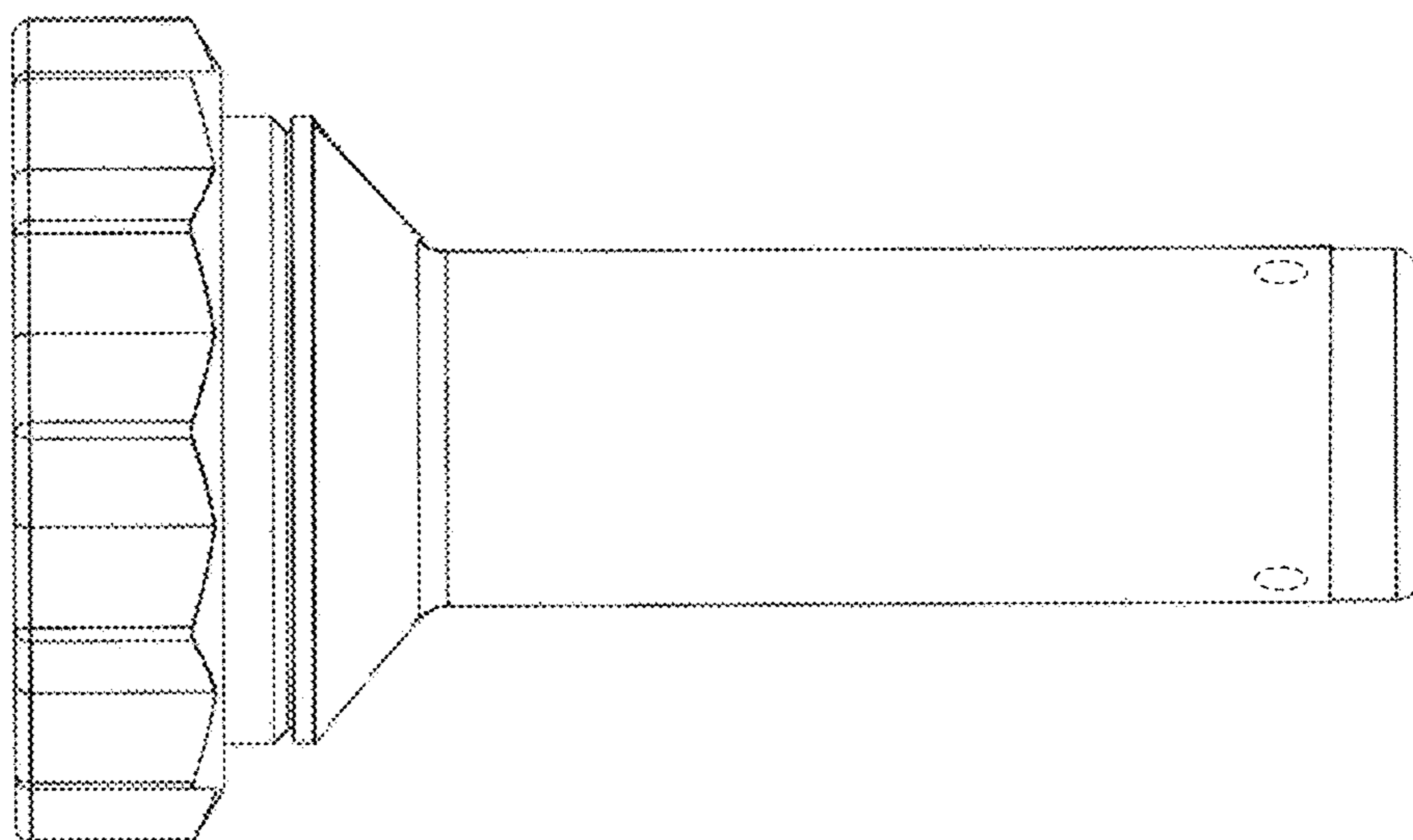


FIG. 3

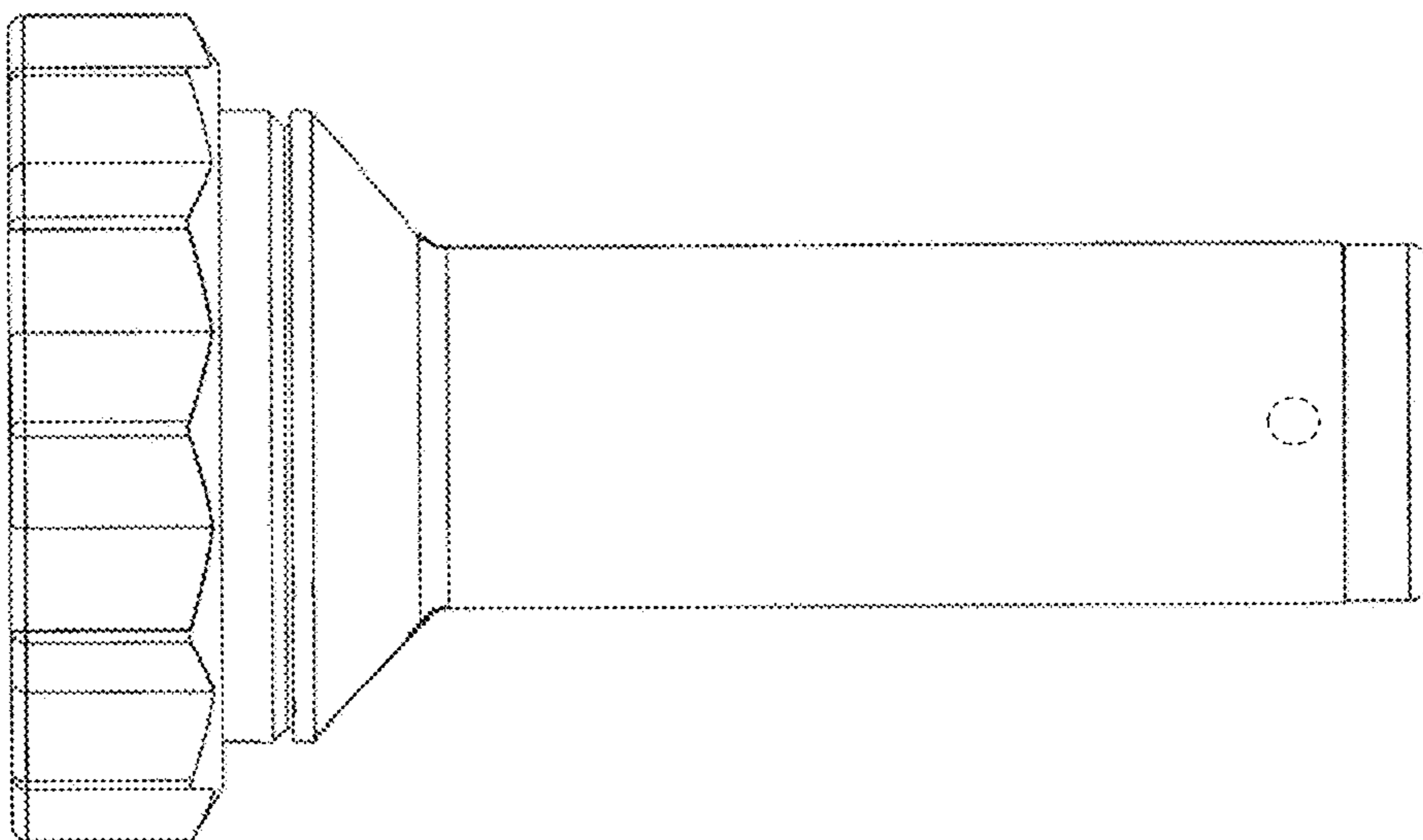


FIG. 4

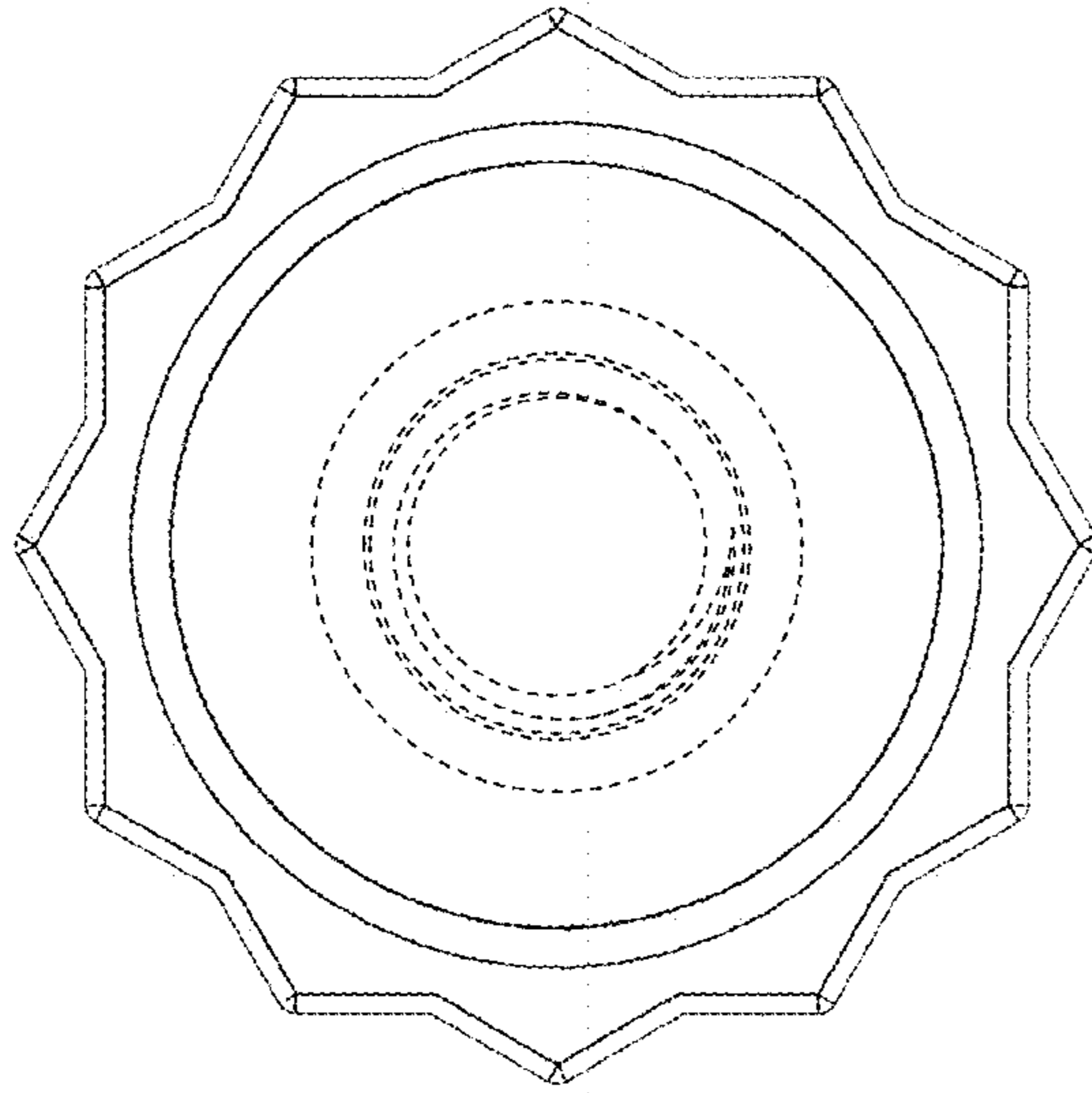


FIG. 5

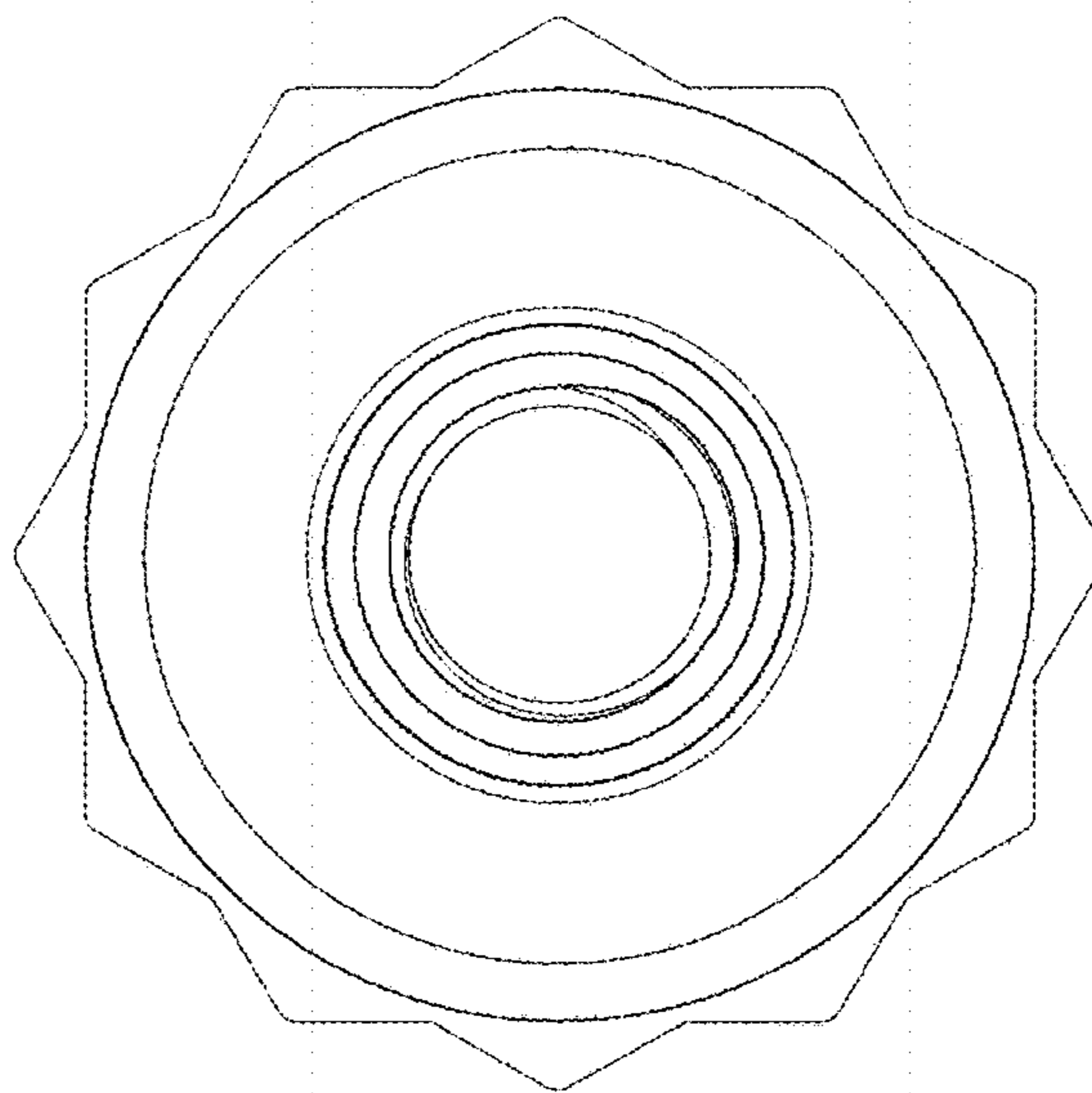


FIG. 6