



US00D913781S

(12) **United States Design Patent**
Rigoli

(10) **Patent No.:** **US D913,781 S**

(45) **Date of Patent:** **** Mar. 23, 2021**

(54) **BRACKET ASSEMBLY**

D795,684 S * 8/2017 Cacciabeve B60Q 3/35
D8/394

(71) Applicant: **Smart Sports Tek, Inc.**, Wrentham,
MA (US)

D797,549 S * 9/2017 Dew D8/394
D818,808 S * 5/2018 Barnett D8/394

(72) Inventor: **Michael Rigoli**, Wrentham, MA (US)

* cited by examiner

(73) Assignee: **Smart Sports Tek, Inc.**, Wrentham,
MA (US)

Primary Examiner — John Windmuller

(74) *Attorney, Agent, or Firm* — Bay State IP, LLC

(**) Term: **15 Years**

(21) Appl. No.: **29/678,333**

(57) **CLAIM**

(22) Filed: **Jan. 28, 2019**

The ornamental design for a bracket assembly, as shown and described.

Related U.S. Application Data

(63) Continuation-in-part of application No. 15/388,949,
filed on Dec. 22, 2016, now Pat. No. 10,195,508.

DESCRIPTION

(51) **LOC (13) Cl.** **08-08**

(52) **U.S. Cl.**
USPC **D8/394**

(58) **Field of Classification Search**
USPC D8/394–396, 72; D19/56, 65;
D7/631–634

CPC . D06F 55/00; A44D 2203/00; A61B 17/0664;
A61B 17/04; A61B 17/1265; A43D
79/00; A41B 3/08; A41F 15/02; A62F
2/0063

See application file for complete search history.

FIG. 1 is a top front perspective view of the bracket assembly showing my new design;
FIG. 2 is a top view thereof;
FIG. 3 is a bottom view thereof;
FIG. 4 is a back view thereof;
FIG. 5 is a front view thereof;
FIG. 6 is a left side view thereof;
FIG. 7 is a right side view thereof;
FIG. 8 is a bottom front perspective view in an environment;
and,
FIG. 9 is a bottom perspective view thereof in an alternate position of use.

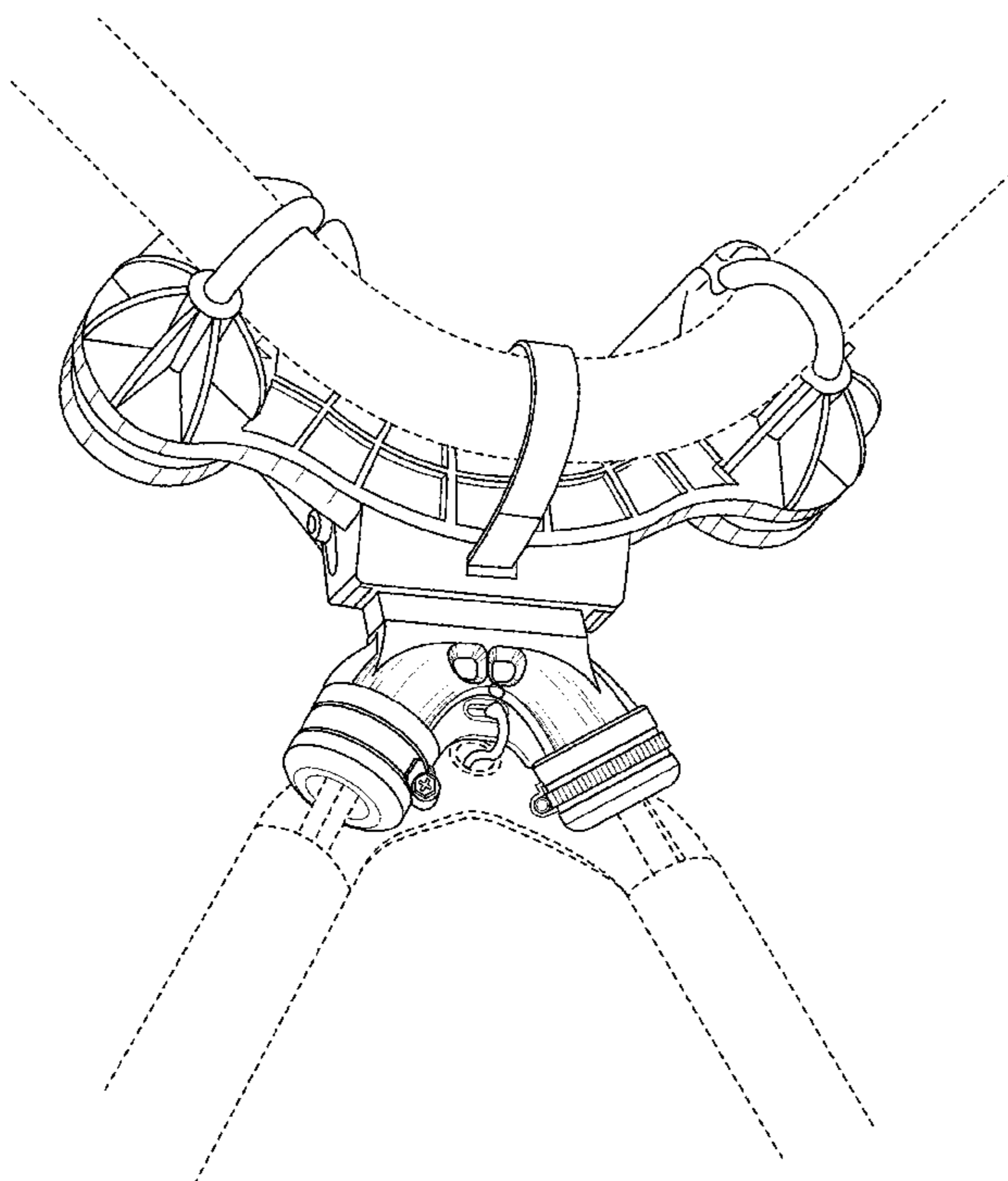
The broken lines are included for the purpose of illustrating the design in an environment and form no part of the claimed design.

(56) **References Cited**

U.S. PATENT DOCUMENTS

D777,021 S * 1/2017 Dew D8/394
D786,660 S * 5/2017 Cacciabeve D8/394

1 Claim, 6 Drawing Sheets



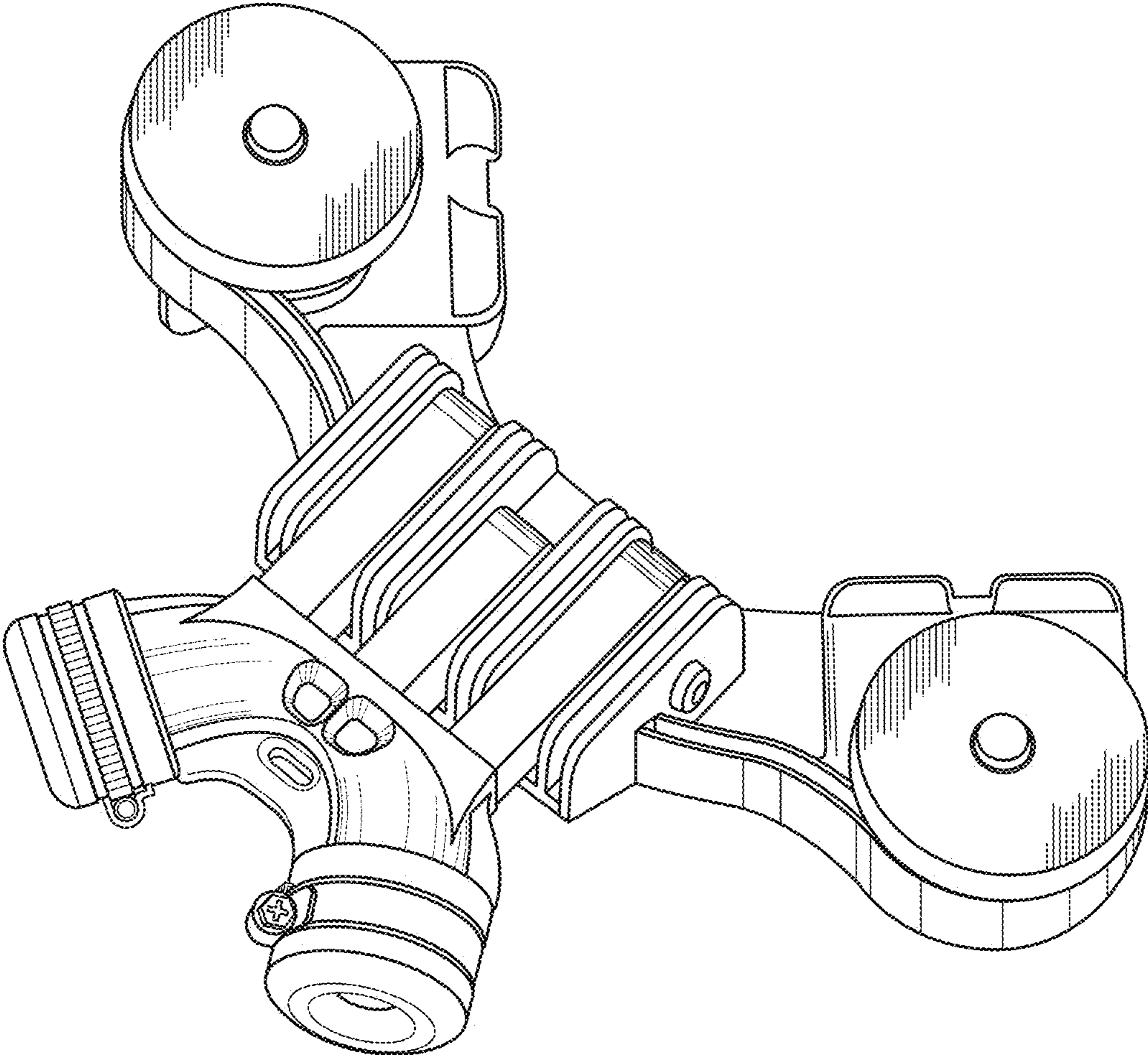


Fig. 1

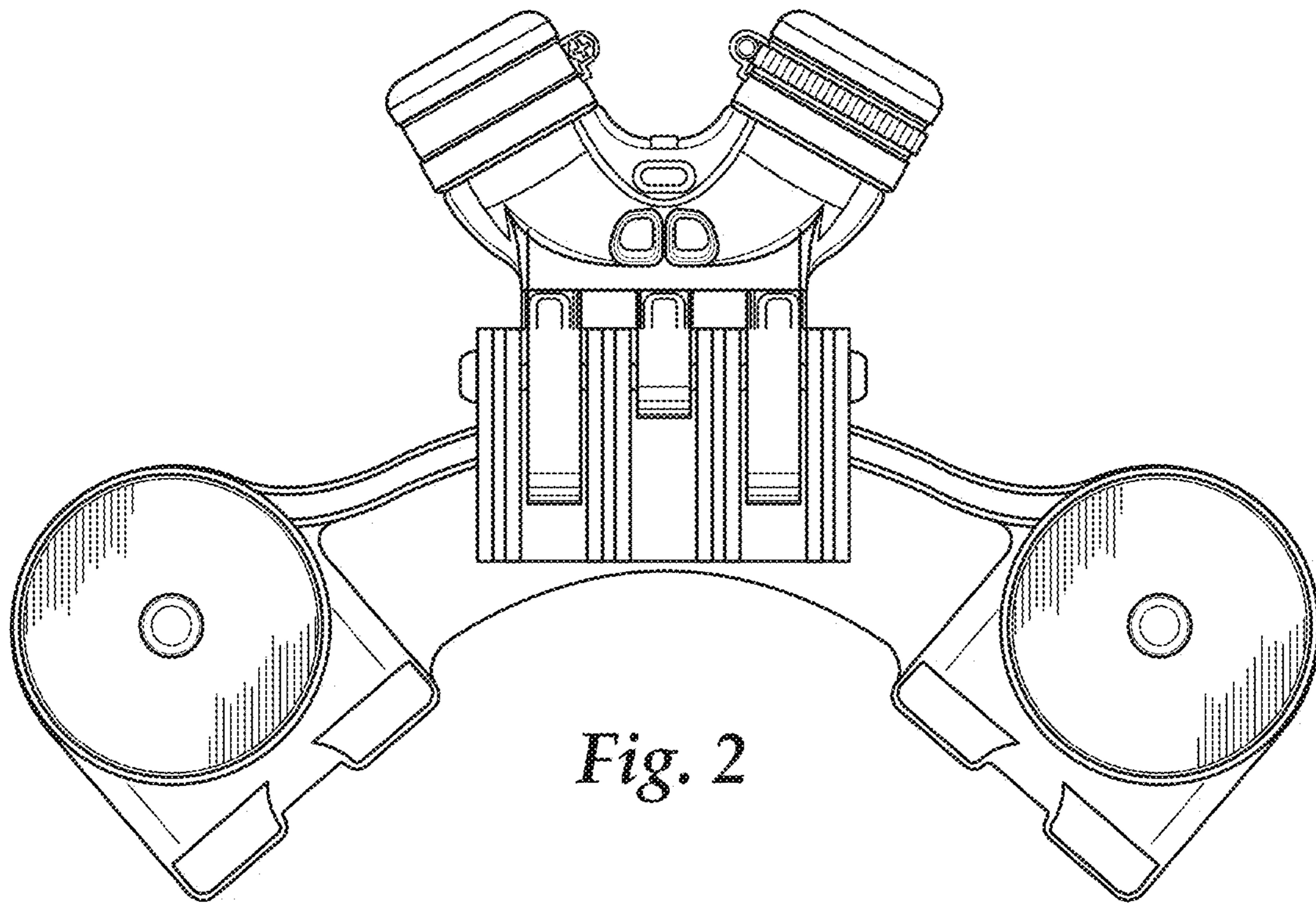


Fig. 2

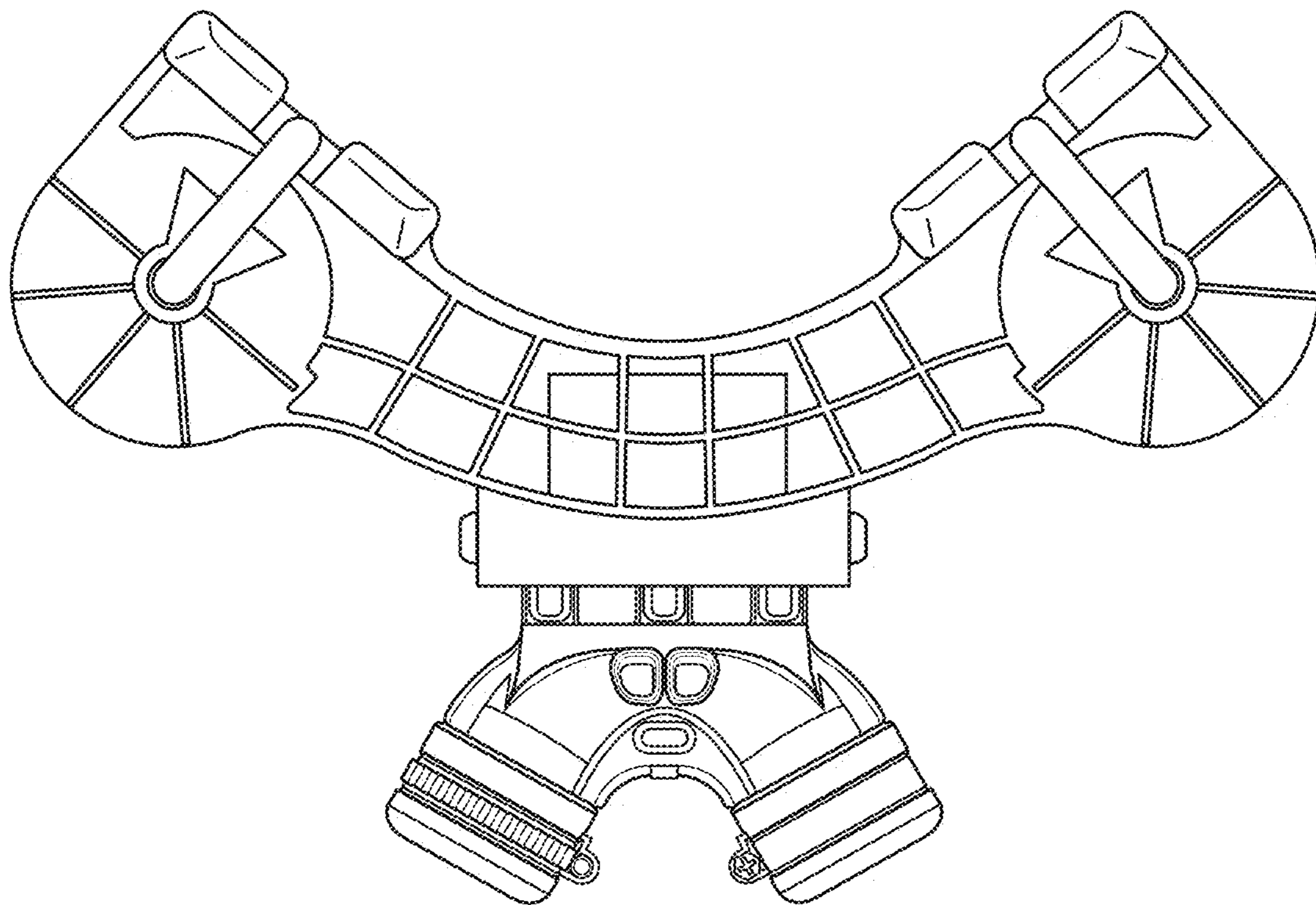


Fig. 3

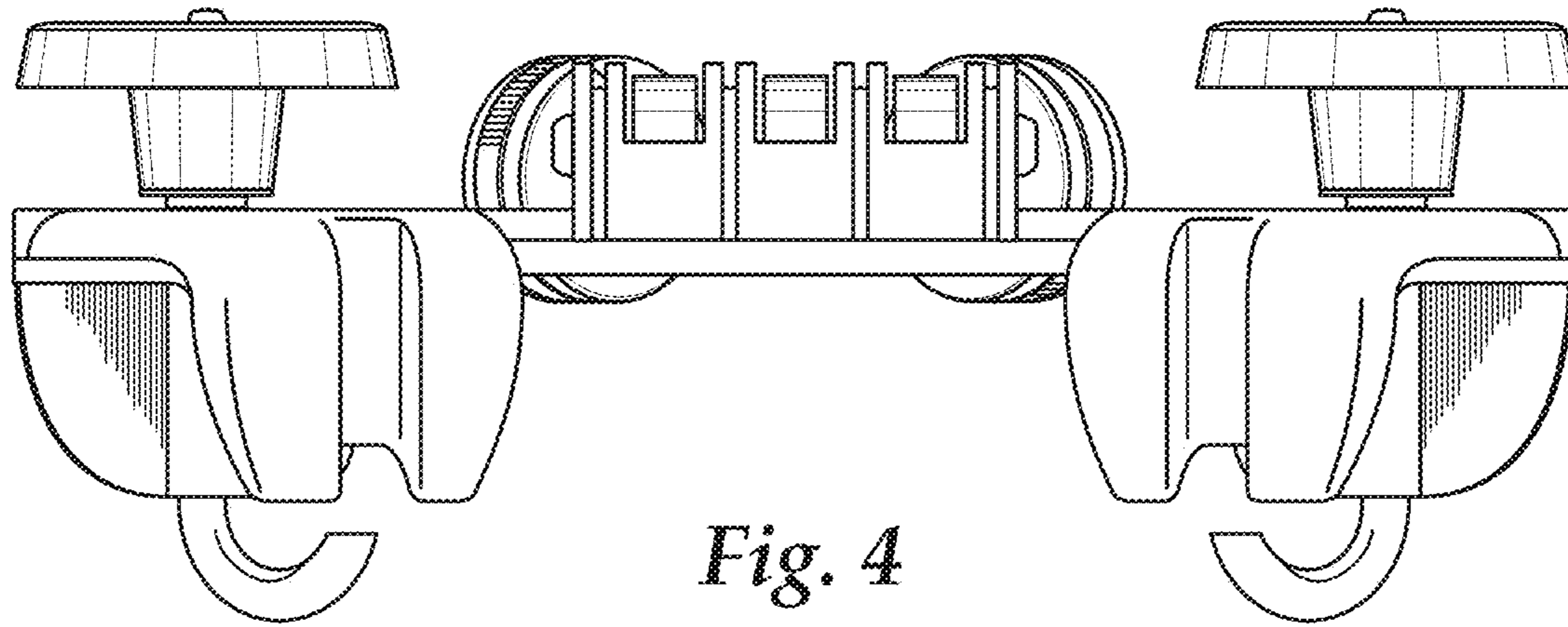


Fig. 4

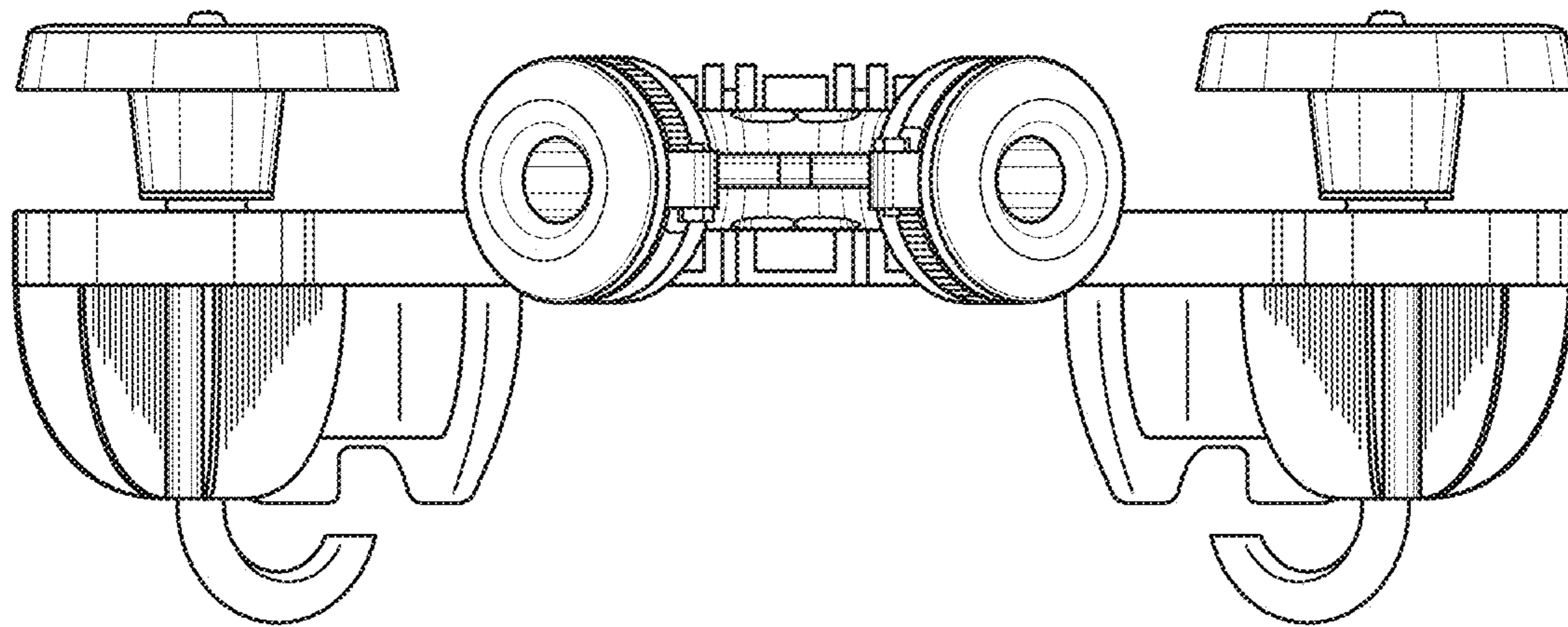


Fig. 5

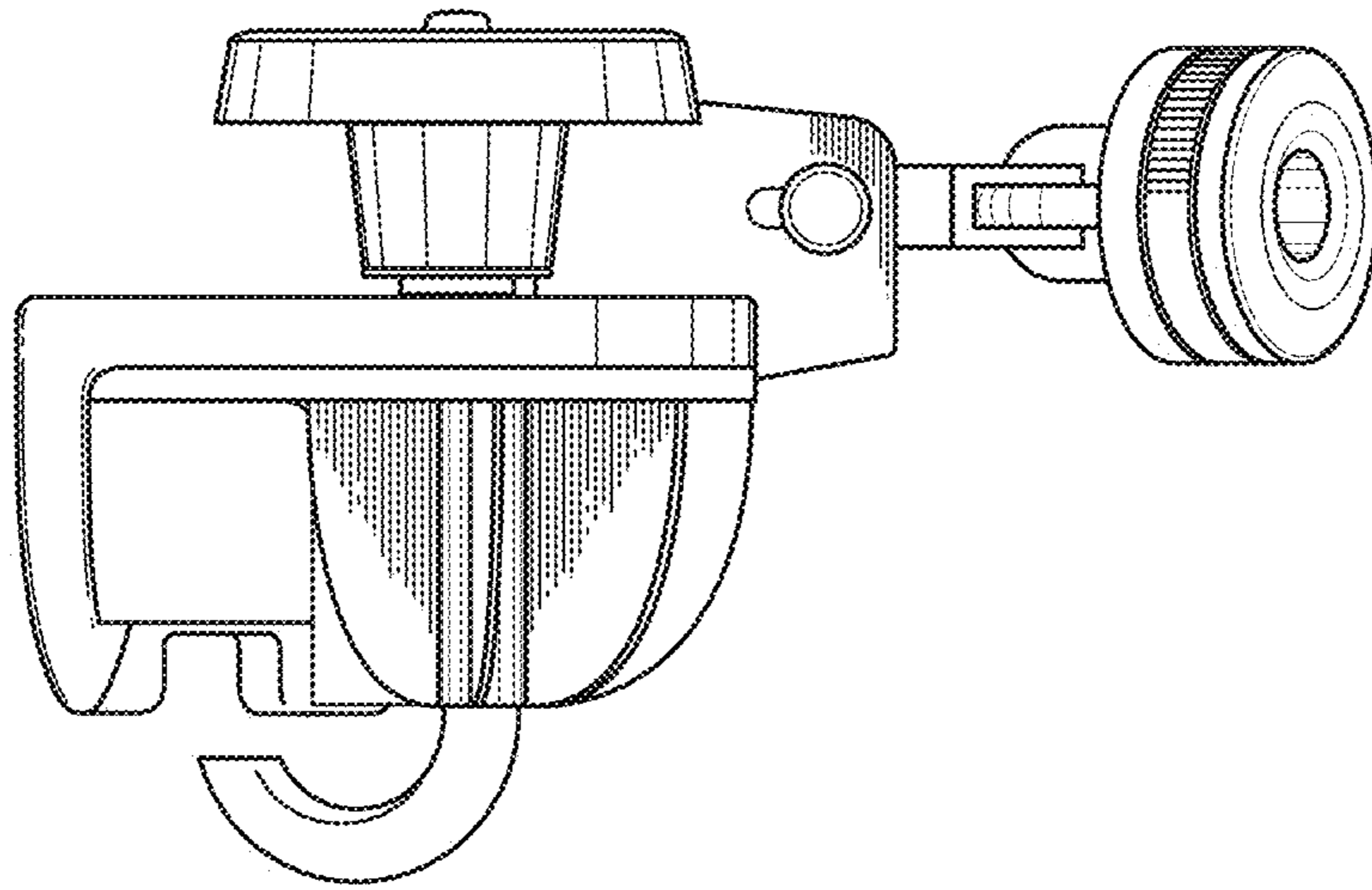


Fig. 6

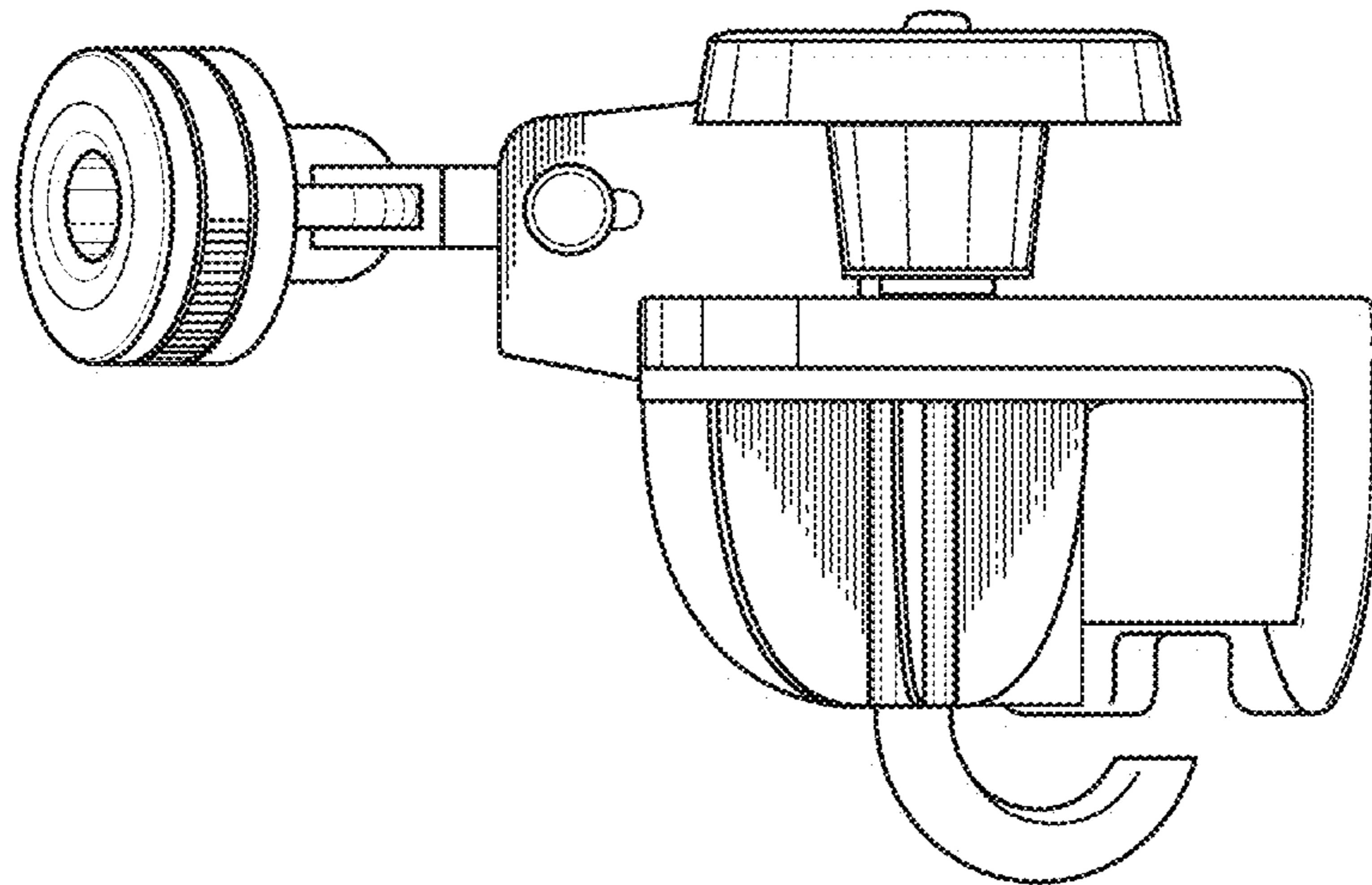


Fig. 7

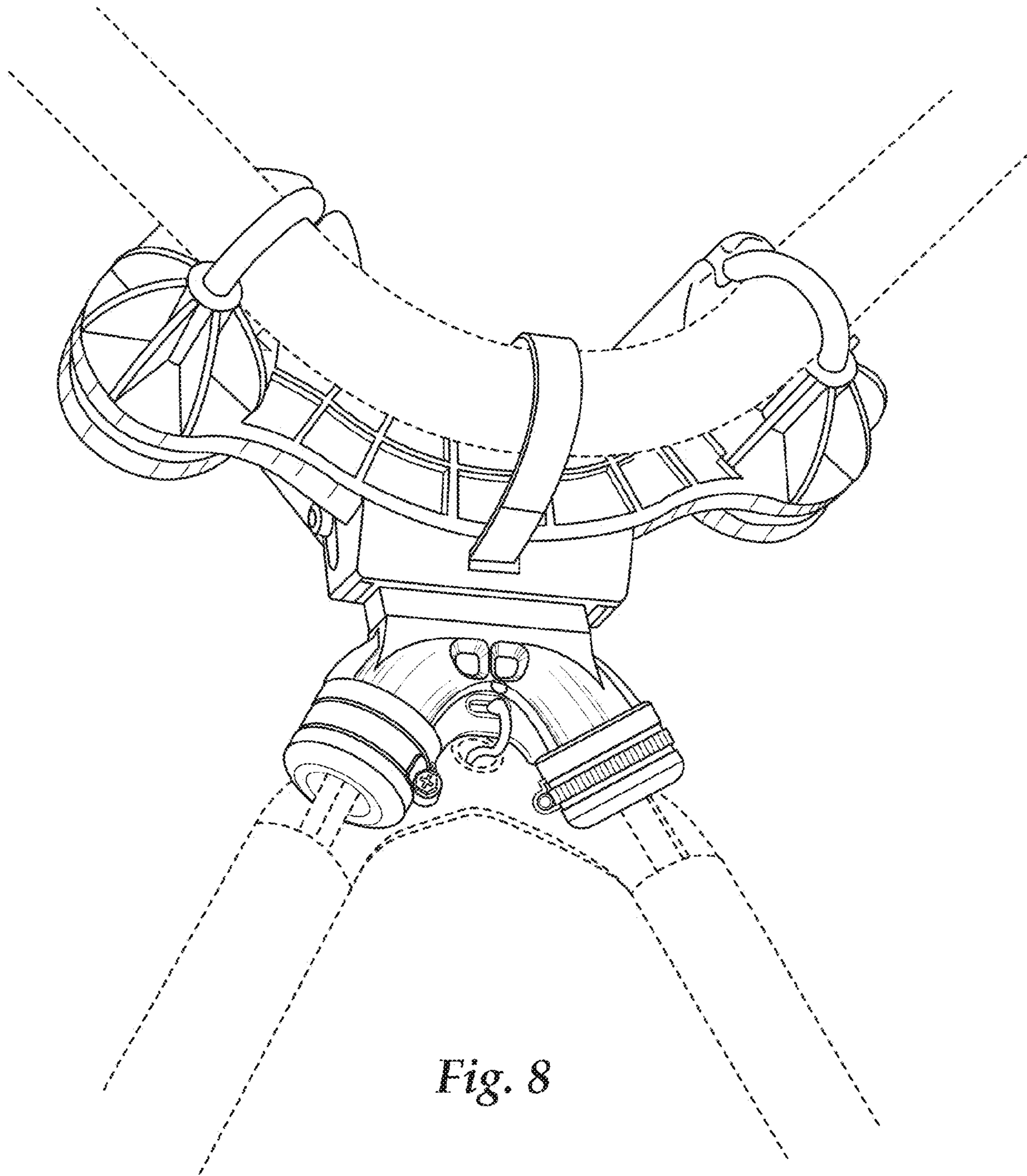


Fig. 8

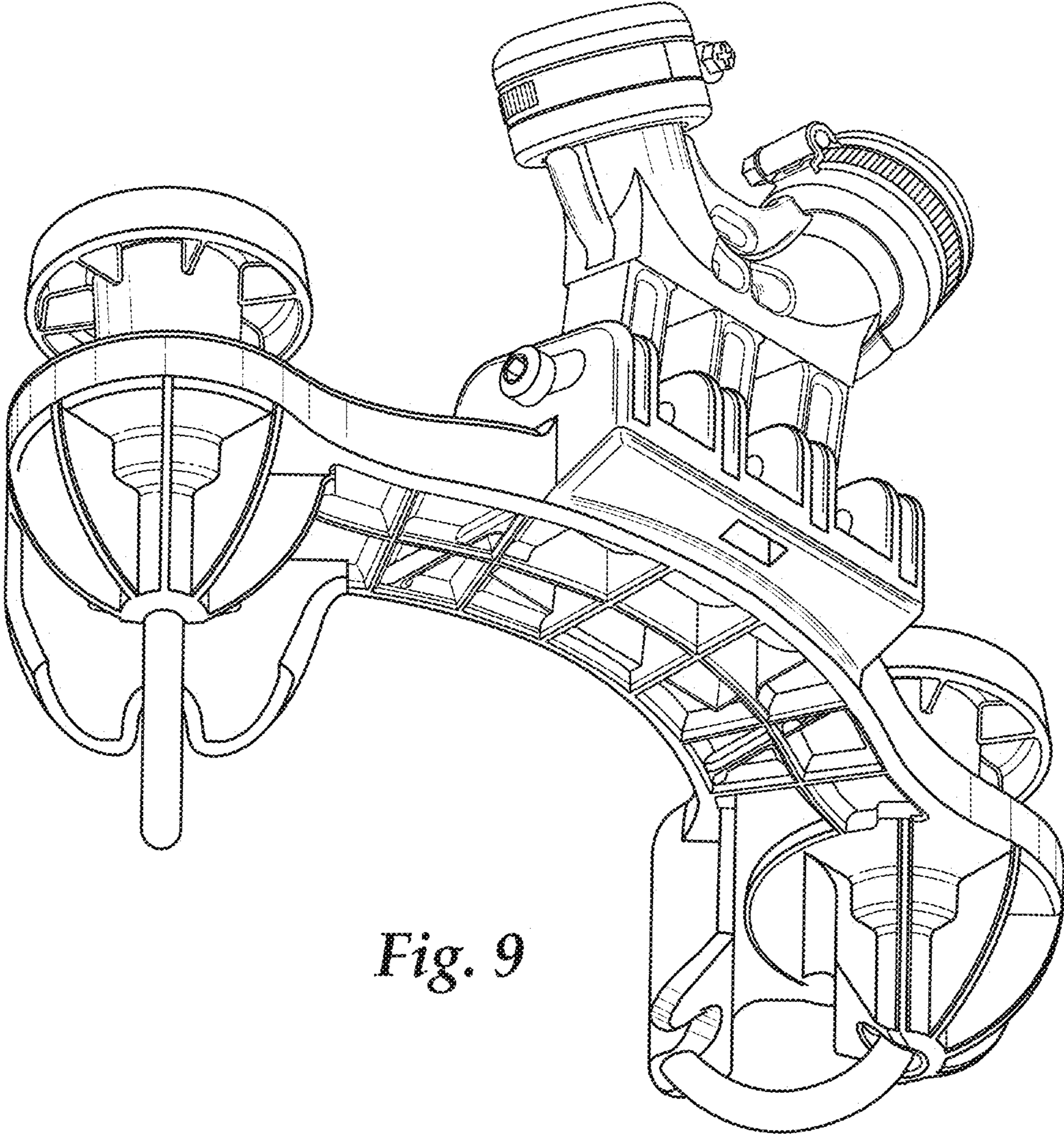


Fig. 9