



US00D913780S

(12) **United States Design Patent**
Hudson et al.

(10) **Patent No.:** **US D913,780 S**
(45) **Date of Patent:** **** Mar. 23, 2021**

(54) **HELICAL ANCHOR**

- (71) Applicant: **Ojjo, Inc.**, San Rafael, CA (US)
- (72) Inventors: **Tyrus Hudson**, Petaluma, CA (US);
Jack West, San Rafael, CA (US);
Charles Almy, Berkeley, CA (US)
- (73) Assignee: **Ojjo, Inc.**, San Rafael, CA (US)
- (**) Term: **15 Years**

- (21) Appl. No.: **29/685,531**
- (22) Filed: **Mar. 28, 2019**
- (51) **LOC (13) Cl.** **08-08**
- (52) **U.S. Cl.**
USPC **D8/387**; D13/102
- (58) **Field of Classification Search**
USPC D8/51, 307, 315, 316, 317, 356, 378,
D8/387, 349; D11/222, 226; D17/20;
D23/249; D13/102
CPC E04B 1/4178; E04B 1/7616; F16B 12/22;
F16B 12/24; F16B 12/125; F16B 12/20;
F16B 12/26; F16B 13/045; F16B 19/109;
F16B 35/00; F16B 37/085; F16B 37/14
See application file for complete search history.

(56) **References Cited**

U.S. PATENT DOCUMENTS

- D381,892 S * 8/1997 Porter D8/1
- D421,532 S * 3/2000 Koroncai D8/388
- D422,896 S * 4/2000 Holzinger D8/387
- D435,789 S * 1/2001 Holzinger D8/387
- D666,485 S * 9/2012 Hegetschweiler D8/387
- D697,395 S * 1/2014 Adams D8/395
- 8,845,236 B1 * 9/2014 Dosdourian E02D 5/801
405/259.1
- D854,921 S * 7/2019 Fisher E02D 7/02
D8/387
- 10,697,490 B2 * 6/2020 Hudson F16B 25/106

(Continued)

OTHER PUBLICATIONS

CHANCE_Helical Pile Installation_Foundation Technologies, Date Visited: Oct. 30, 2020, Youtube, Available Date: Mar. 26, 2018, <https://www.youtube.com/watch?v=pNAfJUIvDrE> (Year: 2018).*
(Continued)

Primary Examiner — Susan Bennett Hattan
Assistant Examiner — Elizabeth Sun Ko
(74) *Attorney, Agent, or Firm* — Phillip Mancini

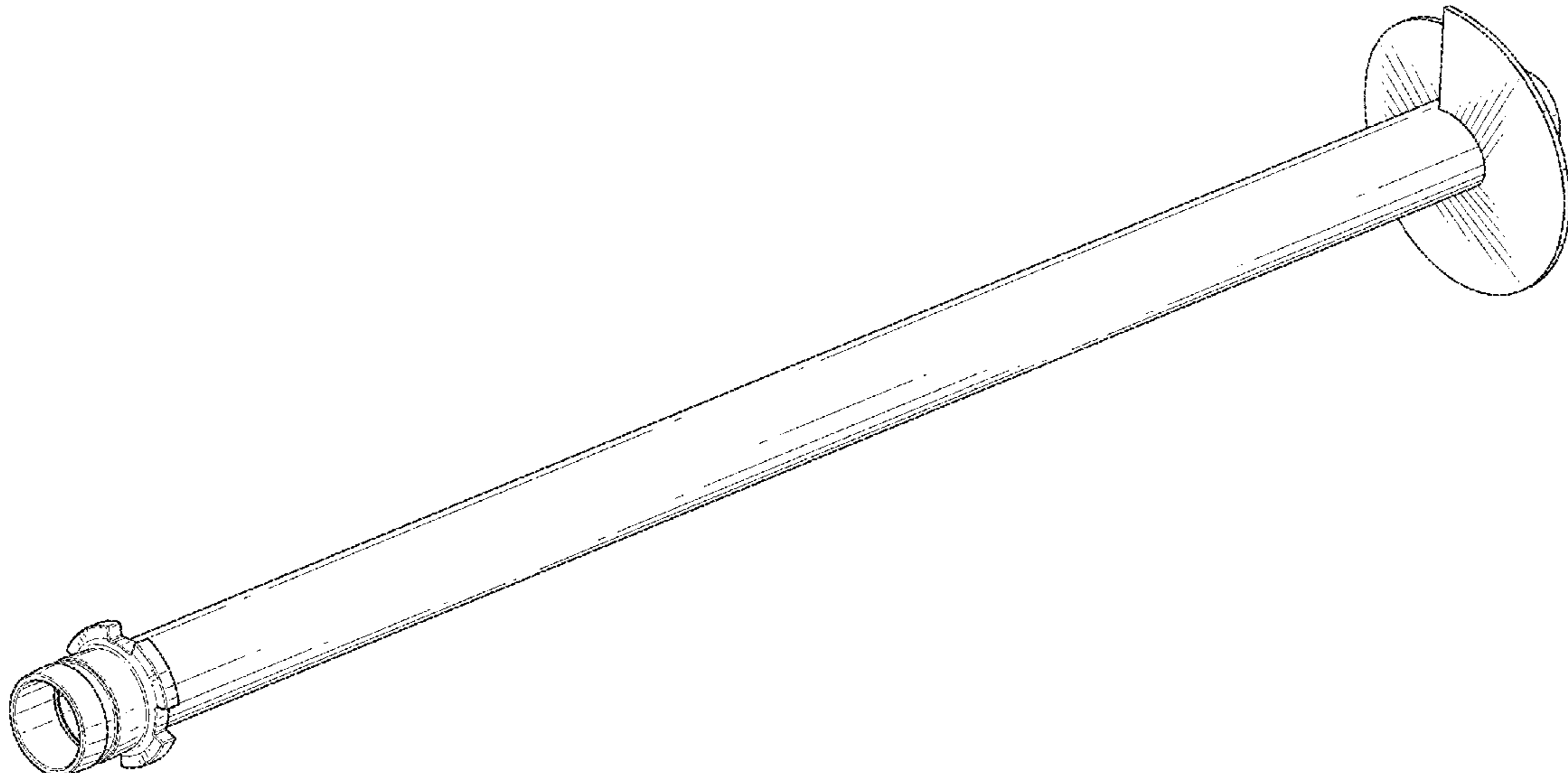
(57) **CLAIM**

The ornamental design for a helical anchor, substantially as shown and described.

DESCRIPTION

FIG. 1 is a top left perspective view of a helical anchor showing the claimed design;
FIG. 2 is a top right perspective view thereof;
FIG. 3 is a front view thereof;
FIG. 4 is a rear view thereof;
FIG. 5 is a top view thereof;
FIG. 6 is a bottom view thereof;
FIG. 7 is a left view thereof;
FIG. 8 is a right view thereof;
FIG. 9 is a top left perspective view of a helical anchor showing the claimed design;
FIG. 10 is a top right perspective view thereof;
FIG. 11 is a front view thereof;
FIG. 12 is a rear view thereof;
FIG. 13 is a top view thereof;
FIG. 14 is a bottom view thereof;
FIG. 15 is a left view thereof; and,
FIG. 16 is a right view thereof.
Portions of the helical anchor that are not shown form no part of the claimed design.
The dashed broken lines in the figures show portions of the helical anchor that form no part of the claimed design.

1 Claim, 10 Drawing Sheets



(56)

References Cited

U.S. PATENT DOCUMENTS

2009/0180838 A1* 7/2009 Ronkvist E02D 5/801
405/251
2011/0099923 A1* 5/2011 Ventura F24S 25/10
52/173.3
2015/0152620 A1* 6/2015 Wilson E02D 5/801
52/157
2017/0198453 A1* 7/2017 Brown E02D 5/28
2017/0350996 A1* 12/2017 Andersen G01V 1/047
2019/0301126 A1* 10/2019 Ronkvist E02D 7/02
2020/0115874 A1* 4/2020 Mar E02D 7/26
2020/0308795 A1* 10/2020 Almy E02D 5/56

OTHER PUBLICATIONS

Helical Anchors, Date Visited: Oct. 30, 2020, Online, Date Available: Oct. 30, 2020, <https://www.apalternatives.com/obsolete/helical-anchors> (Year: 2020).*

* cited by examiner

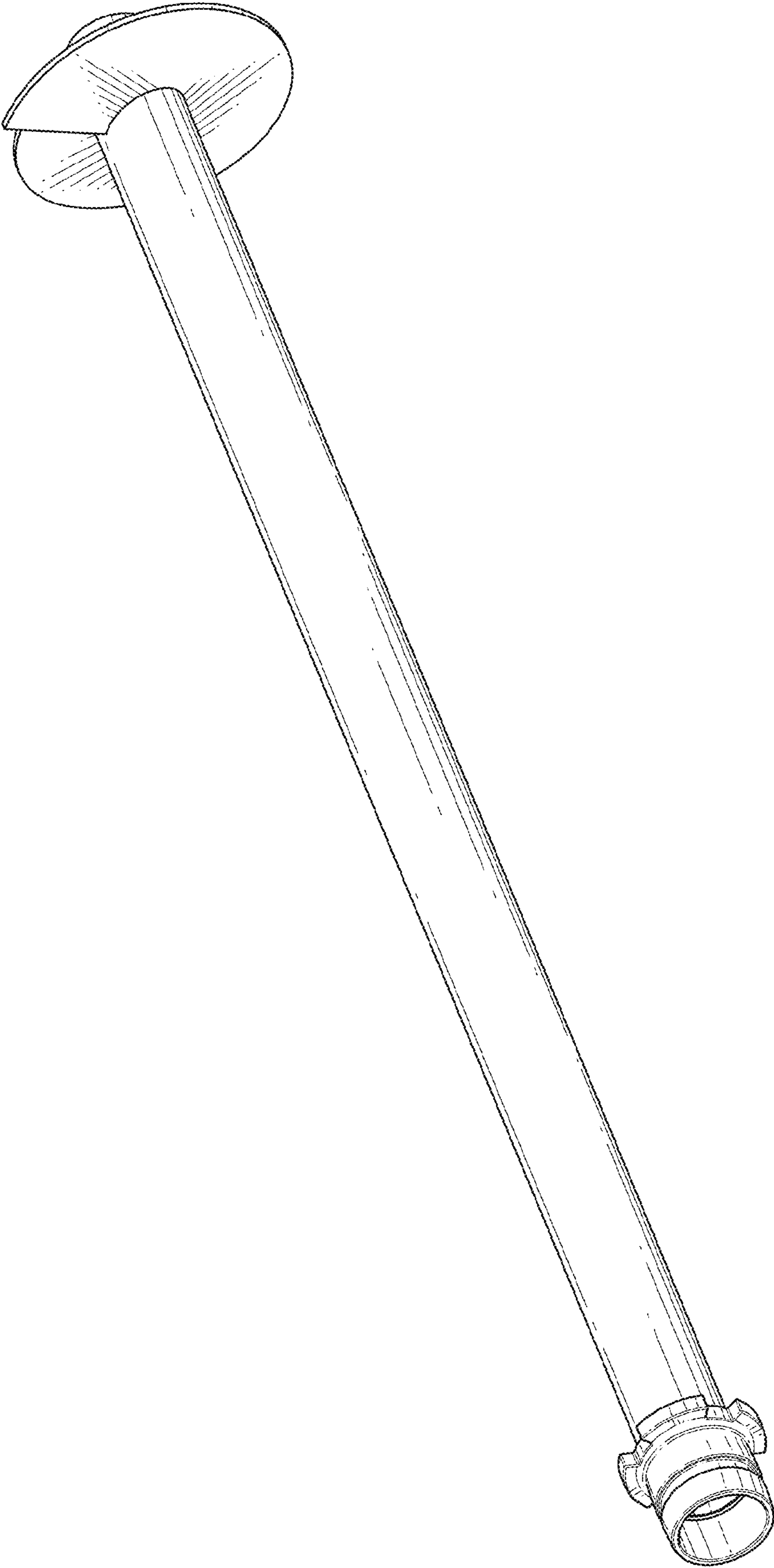


FIG. 1

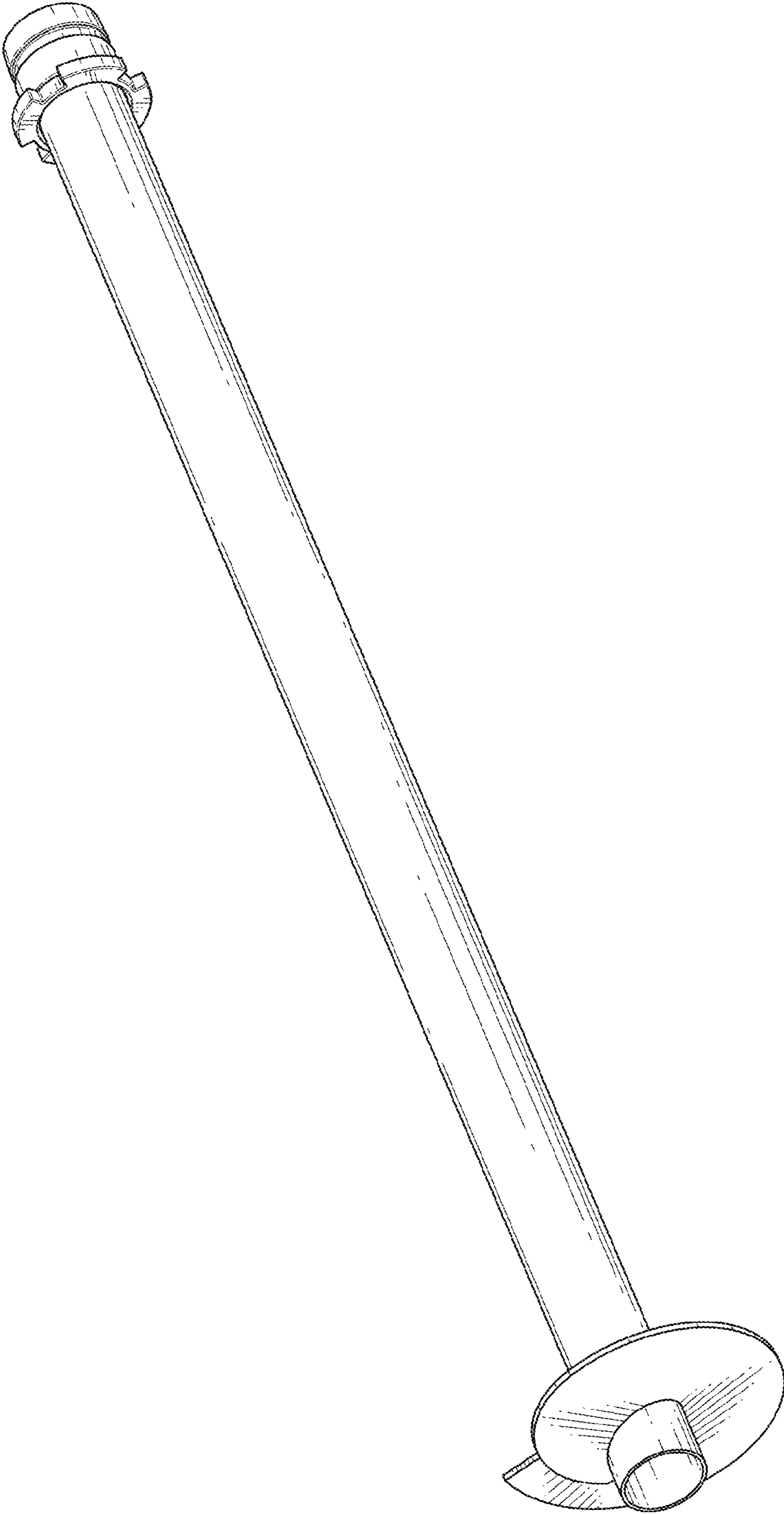


FIG. 2

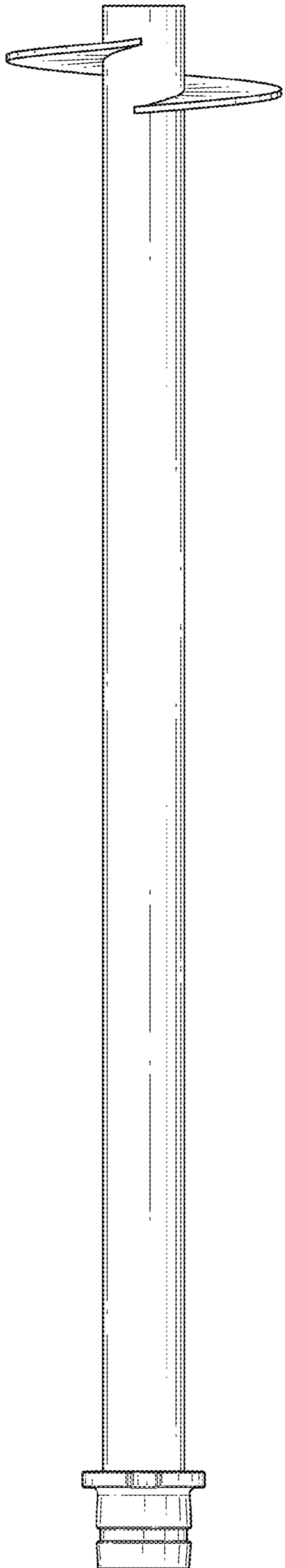


FIG. 3

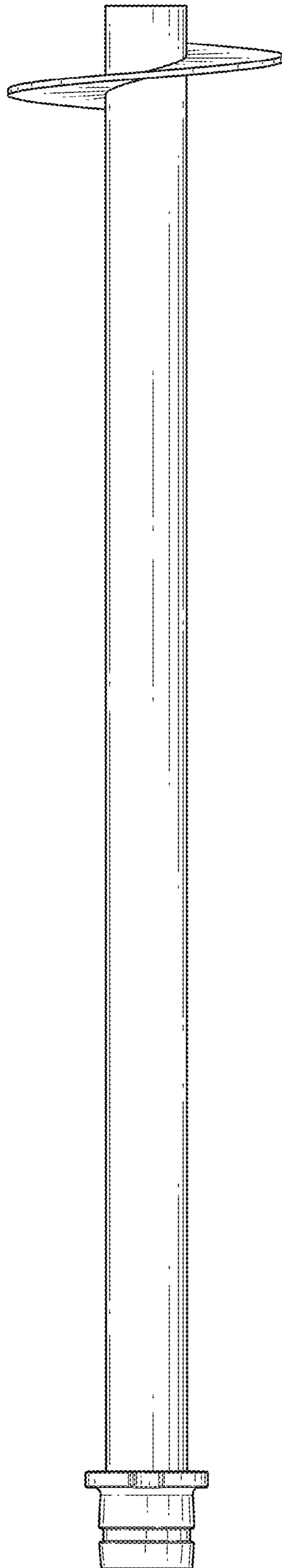


FIG. 4

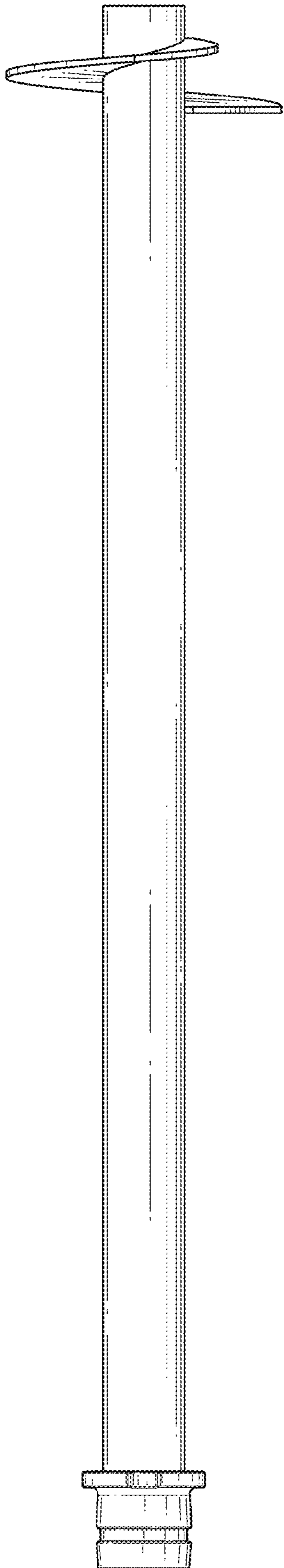


FIG. 5

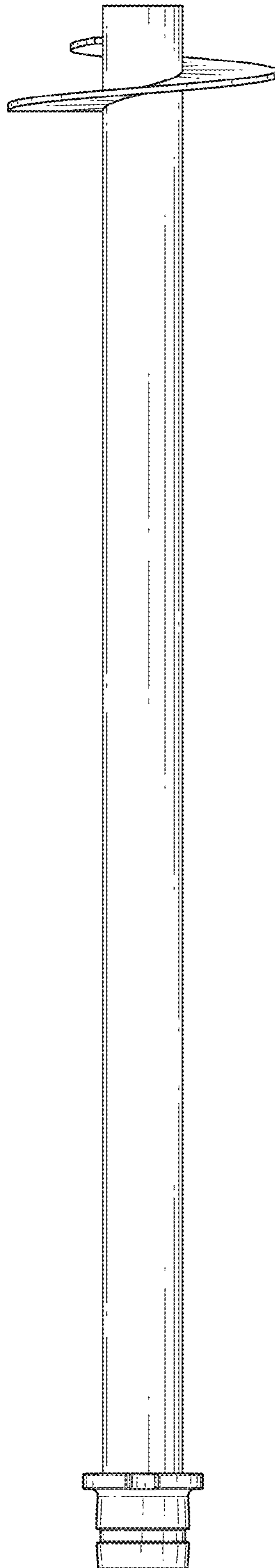


FIG. 6

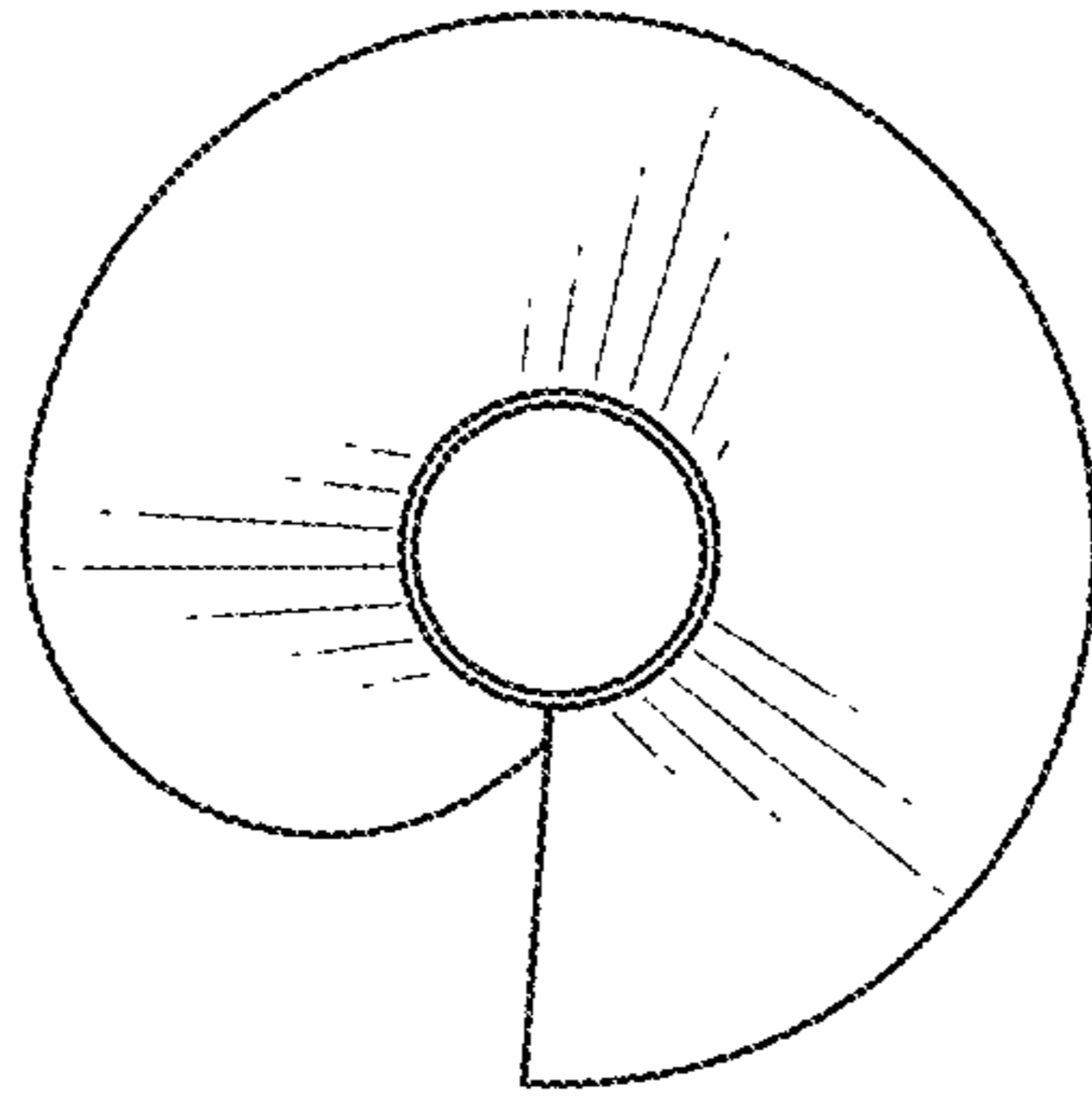


FIG. 8

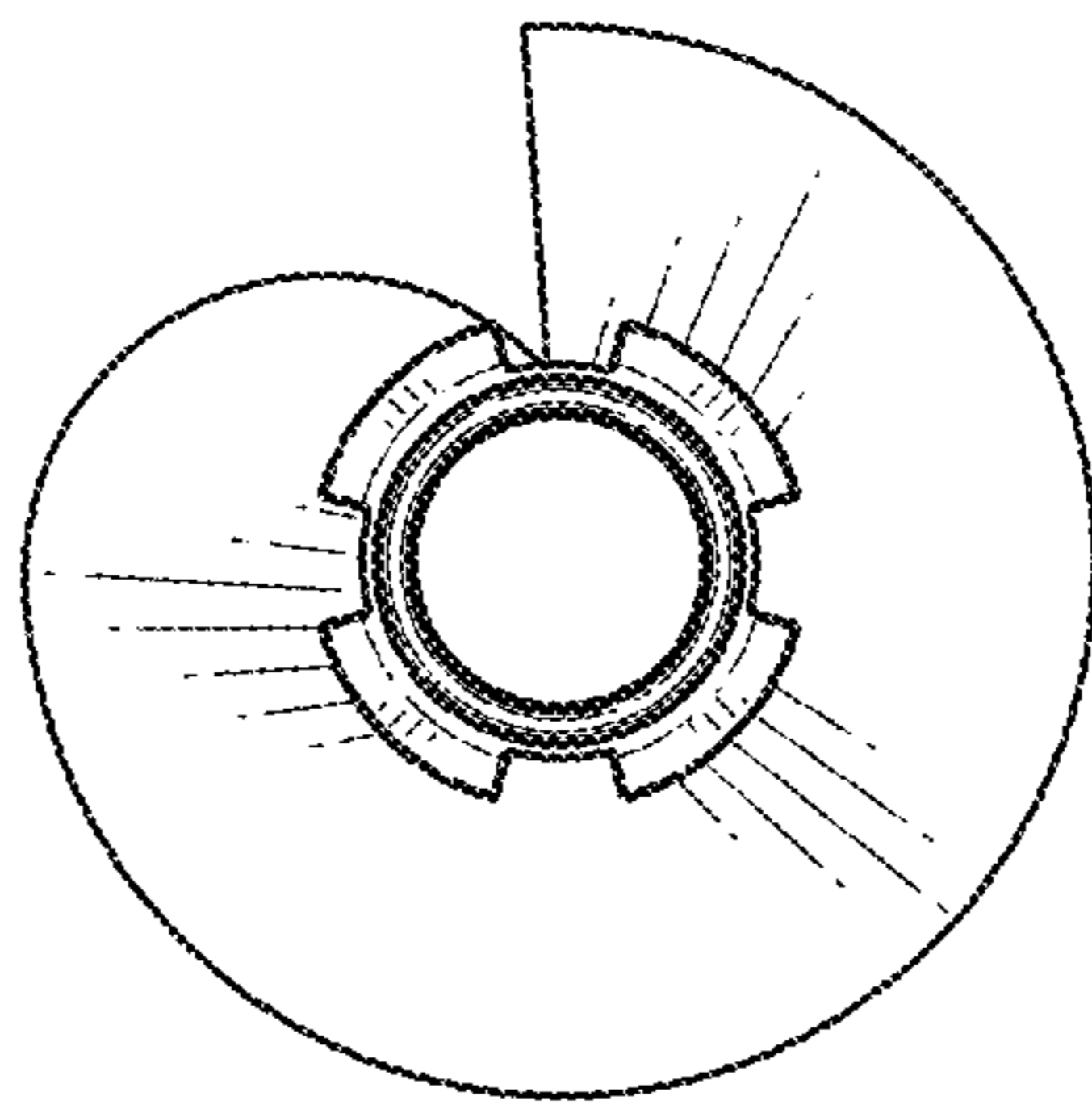


FIG. 7

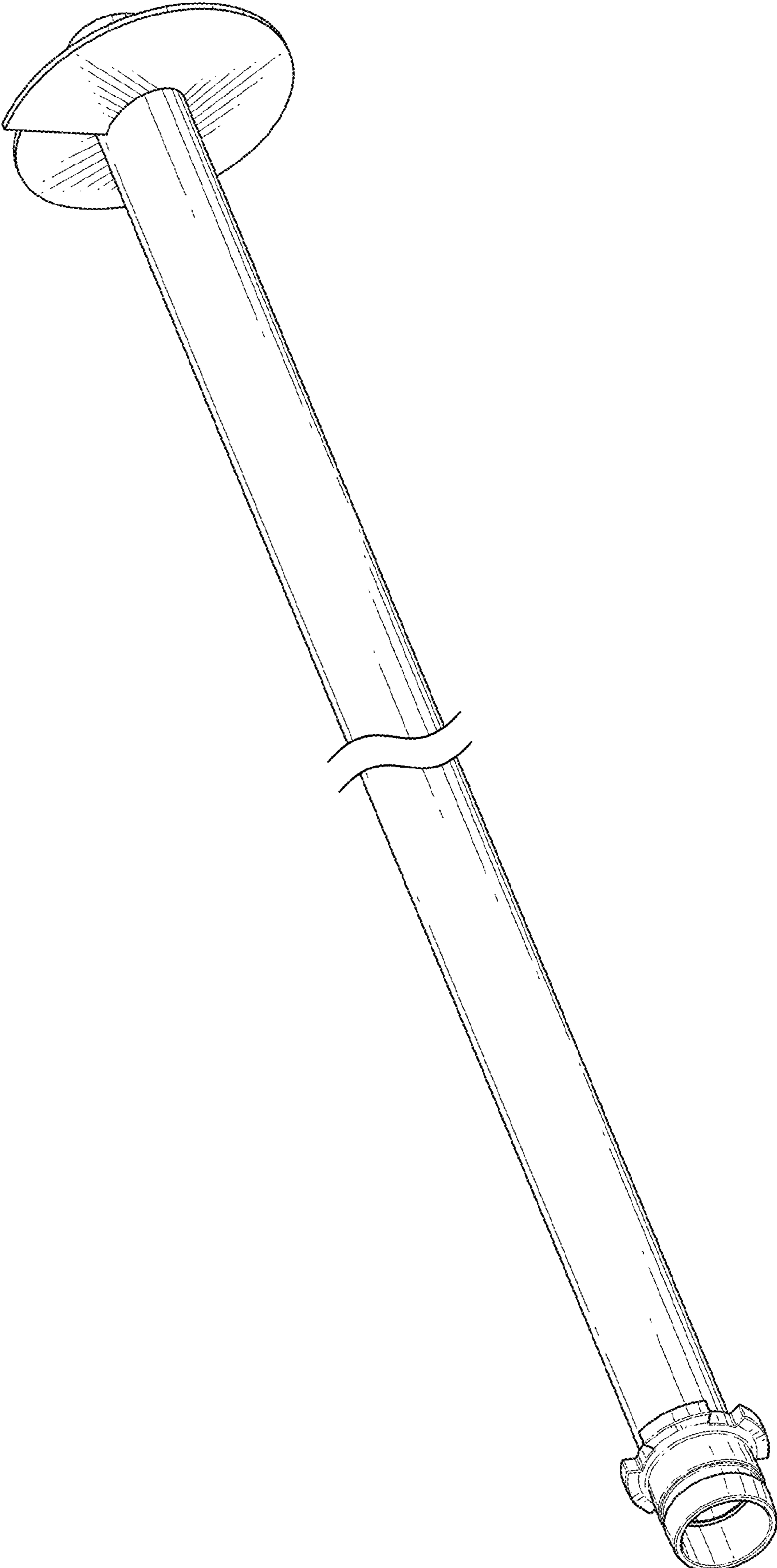


FIG. 9

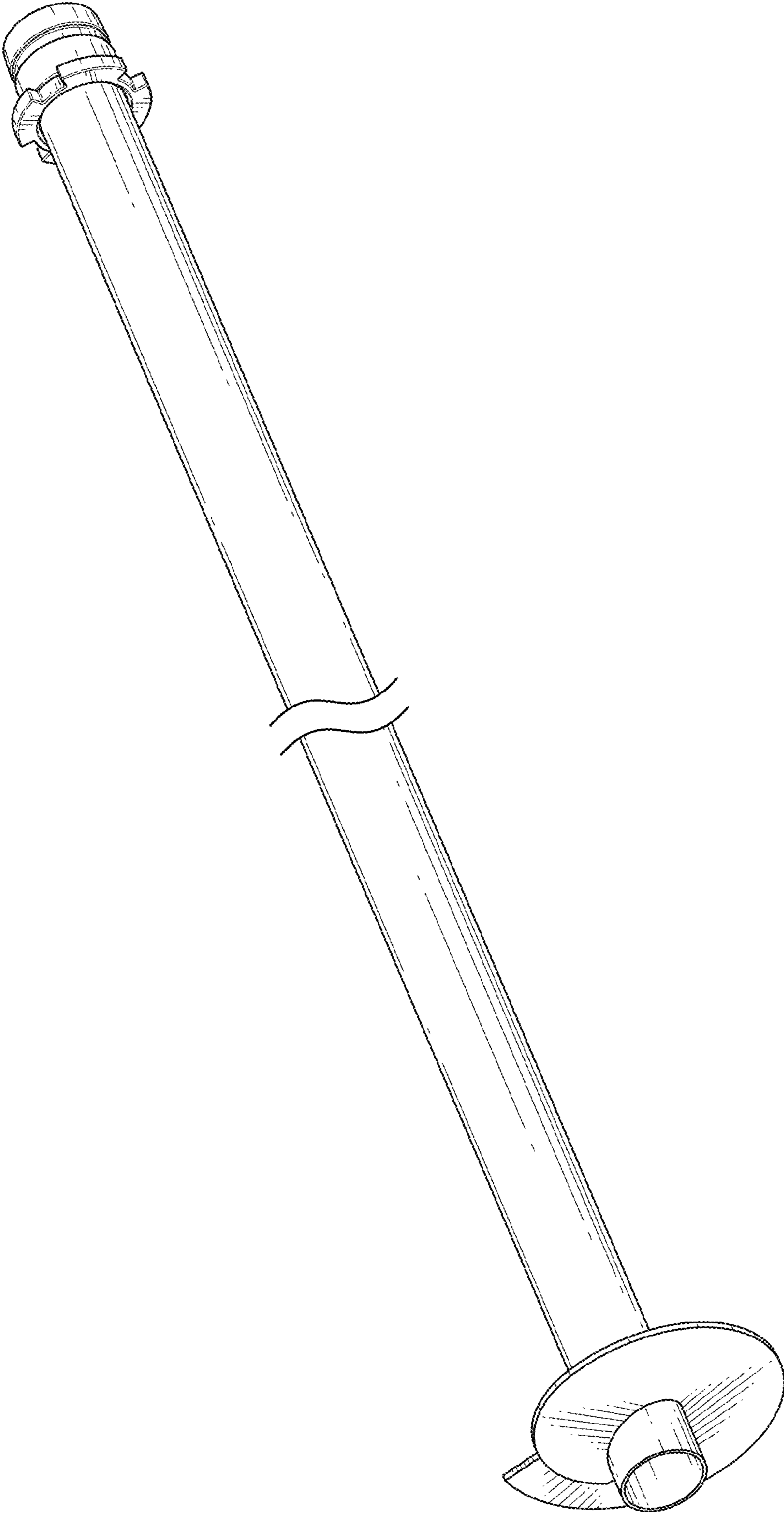


FIG. 10

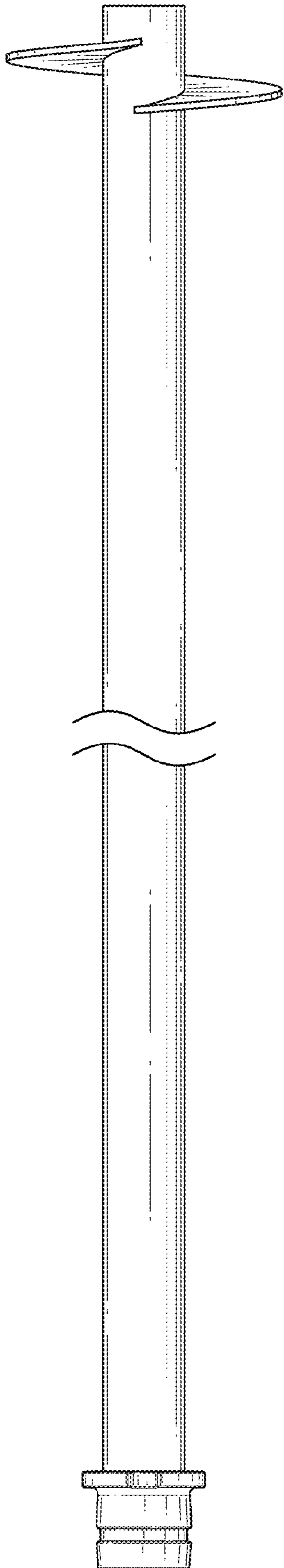


FIG. 11

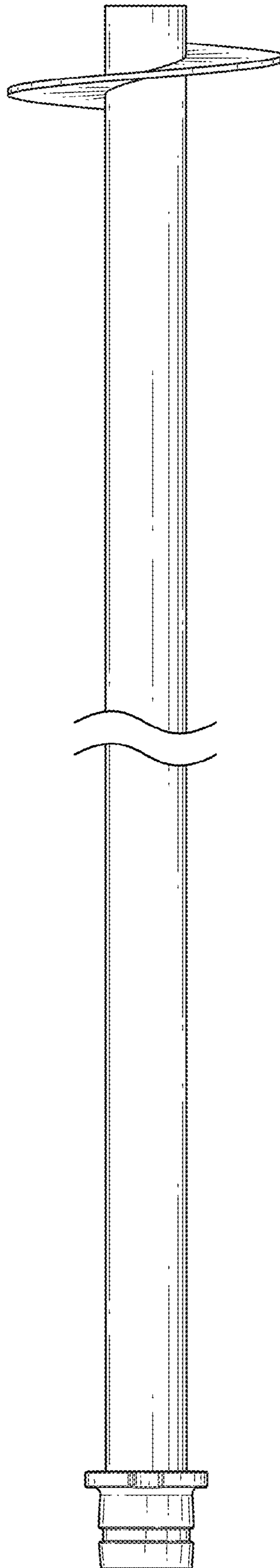


FIG. 12

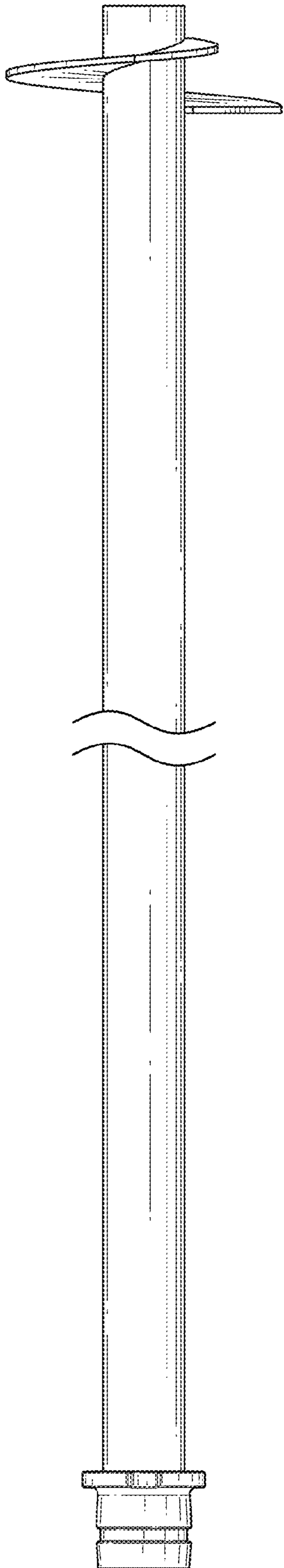


FIG. 13

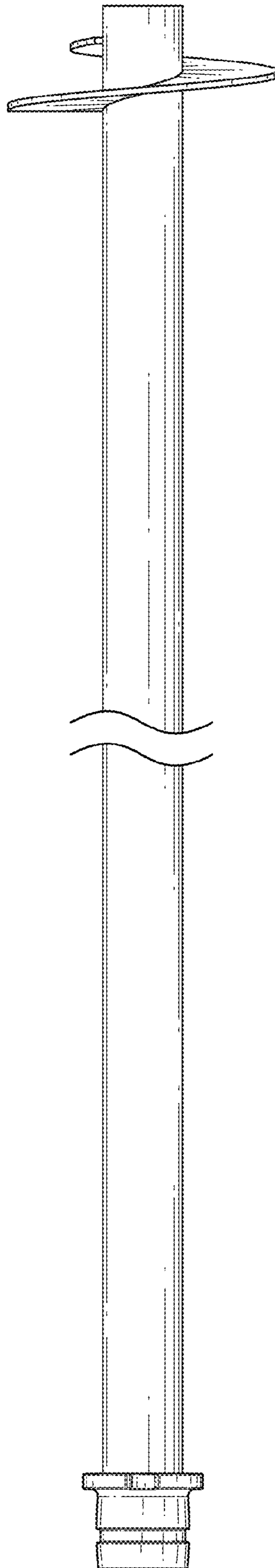


FIG. 14

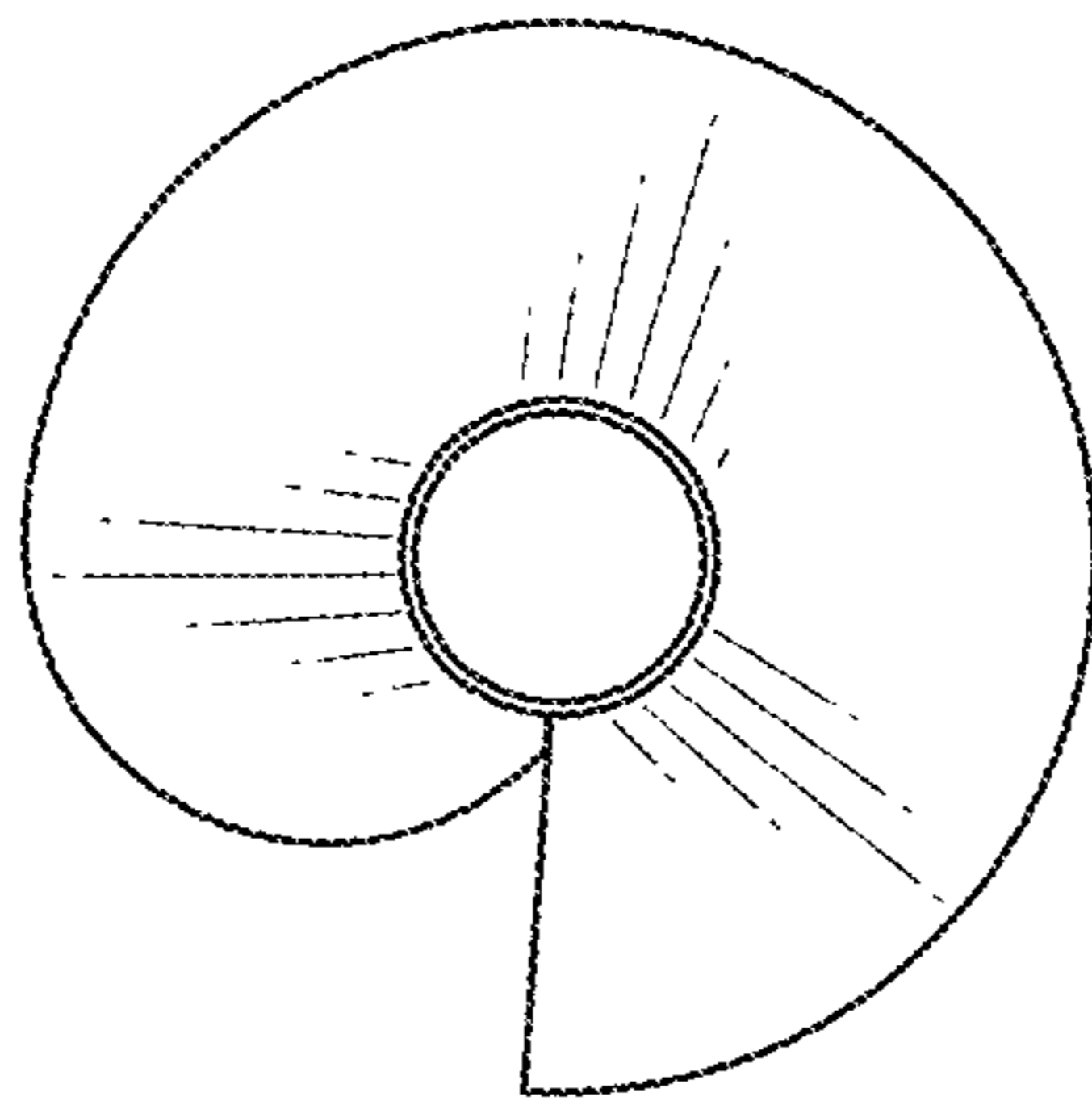


FIG. 16

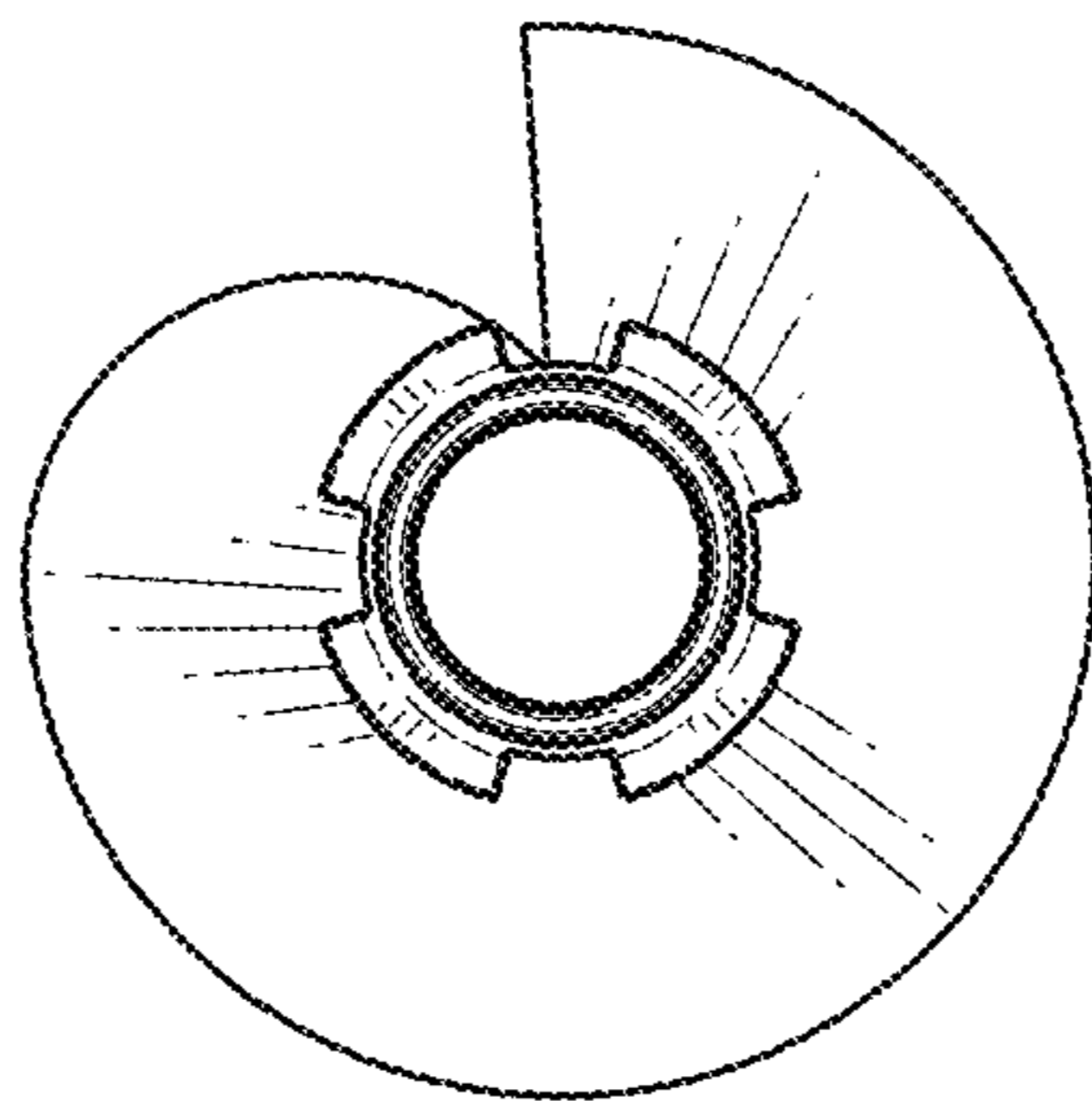


FIG. 15