



US00D913779S

(12) **United States Design Patent** (10) **Patent No.:** **US D913,779 S**
Murphy et al. (45) **Date of Patent:** **** Mar. 23, 2021**

(54) **STORAGE RACK GUARD DROP-IN BRACKET DEVICE**

(71) Applicant: **SpaceGuard Products, Inc.**, Seymour, IN (US)

(72) Inventors: **Edward M. Murphy**, Pittsburgh, PA (US); **Scott A. Jump**, North Vernon, IN (US); **Christopher Lee Roberts**, Seymour, IN (US)

(73) Assignee: **SpaceGuard Products, Inc.**, Seymour, IN (US)

(**) Term: **15 Years**

(21) Appl. No.: **29/588,872**

(22) Filed: **Dec. 23, 2016**

(51) **LOC (13) Cl.** **08-05**

(52) **U.S. Cl.**
USPC **D8/381**

(58) **Field of Classification Search**
USPC D8/349, 354, 373, 380, 381
CPC A47B 96/06; A47B 57/22; A47B 96/021
See application file for complete search history.

(56) **References Cited**

U.S. PATENT DOCUMENTS

2,104,831	A *	1/1938	Dauskardt	A47B 57/485 248/201
2,157,309	A *	5/1939	Swedman	A47B 57/50 248/243
3,352,584	A	11/1967	Teofil et al.		
3,392,848	A	7/1968	Kennedy et al.		
3,572,263	A	3/1971	Propst		
4,131,204	A	12/1978	Jacoby et al.		

(Continued)

FOREIGN PATENT DOCUMENTS

WO 2018118083 A1 6/2018

OTHER PUBLICATIONS

PCT/US2016/068524, "Application Serial No. PCT/US2016/068524, International Search Report and Written Opinion dated Mar. 17, 2017", SpaceGuard Products, Inc., 26 Pages.

(Continued)

Primary Examiner — Keli L Hill

Assistant Examiner — Harold E Blackwell, II

(74) *Attorney, Agent, or Firm* — GTC Law Group PC & Affiliates

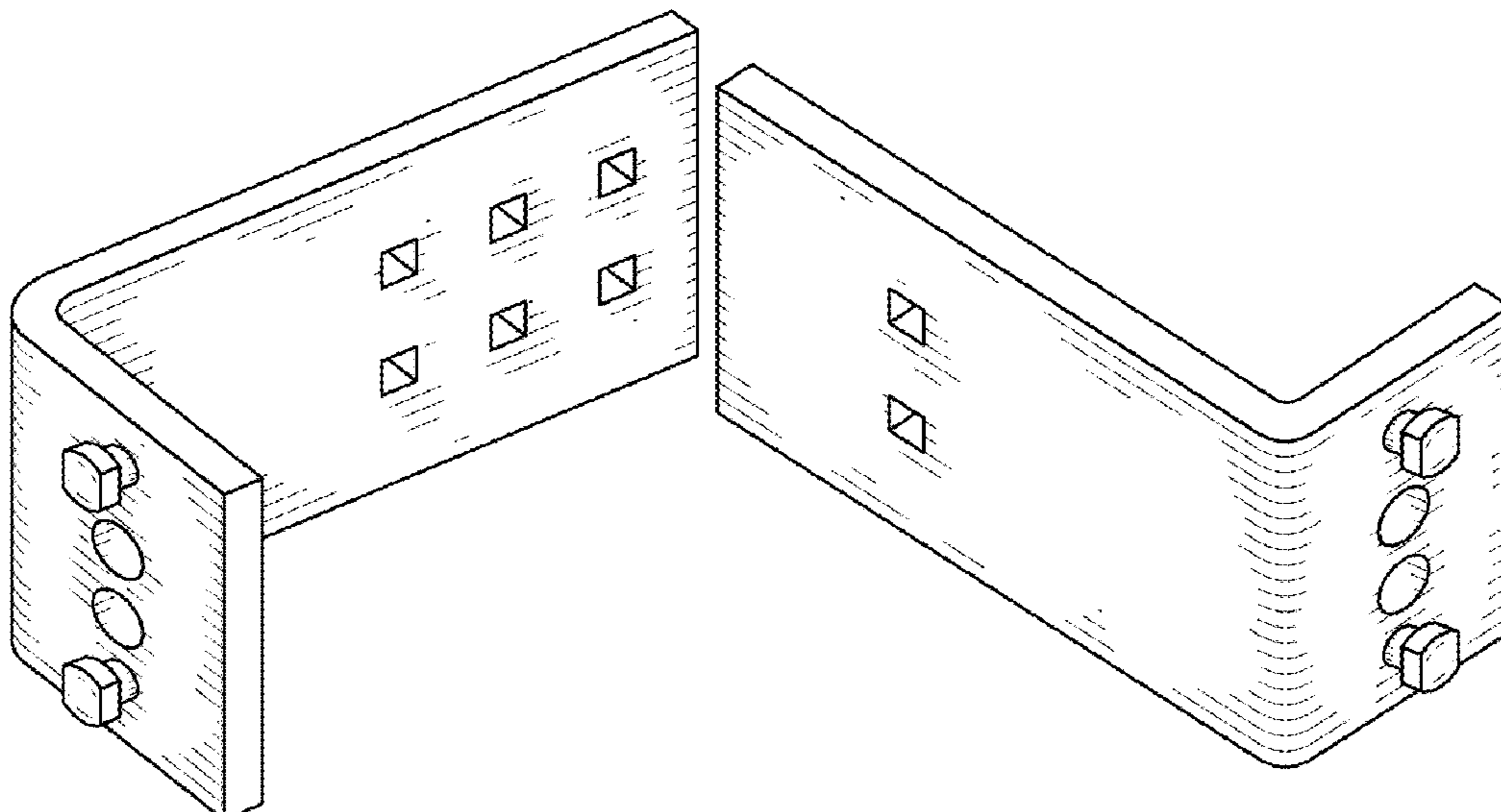
(57) **CLAIM**

The ornamental design for a storage rack guard drop-in bracket device, as shown.

DESCRIPTION

FIG. 1 is a front perspective view of our new design; FIG. 2 is a rear perspective view of our new design; FIG. 3 is a rear side view of our new design; FIG. 4 is a front side view of our new design; FIG. 5 is a second front perspective view of our new design; FIG. 6 is a front perspective view of our new design provided in relation to a bracket lock pin environment; FIG. 7 is a front perspective view of our new design; FIG. 8 is a rear perspective view of our new design; FIG. 9 is a rear side view of our new design; FIG. 10 is a front side view of our new design; FIG. 11 is a second front perspective view of our new design; FIG. 12 is a front perspective view of our new design in relation to a bracket lock pin environment; FIG. 13 is a front perspective view of our new design; and, FIG. 14 is a second front perspective view of our new design in relation to a bracket lock pin environment. The broken lines in the drawings illustrate portions of the storage rack guard drop-in bracket device which form no part of the claimed design.

1 Claim, 3 Drawing Sheets



(56)

References Cited

U.S. PATENT DOCUMENTS

4,212,638 A * 7/1980 Korn A61C 7/287
433/16
D327,214 S * 6/1992 Stuart D8/373
5,349,909 A 9/1994 Smit et al.
D357,400 S * 4/1995 Sachs D8/354
D408,266 S * 4/1999 Santiago D8/354
D420,278 S * 2/2000 Coffey D8/382
D422,886 S * 4/2000 Shea D8/354
D432,901 S * 10/2000 McDonald D8/354
6,155,441 A 12/2000 Andersen et al.
6,196,141 B1 3/2001 Herron et al.
6,202,570 B1 3/2001 Kurtsman
6,273,534 B1 8/2001 Bueley et al.
6,352,164 B1 3/2002 Hyatte et al.
D542,632 S * 5/2007 Hill D8/373
D573,008 S * 7/2008 Sipe D8/356
D667,290 S * 9/2012 Chelton D8/355
D845,113 S * 4/2019 Salter D8/371
2005/0111912 A1 5/2005 Brain et al.
2014/0284294 A1 9/2014 Taylor
2019/0307248 A1* 10/2019 Murphy A47B 96/06

OTHER PUBLICATIONS

PCT/US2016/068524, "International Application Serial No. PCT/US2016/068524, International Preliminary Report on Patentability mailed Jul. 4, 2019", SpaceGuard Products, Inc., 11 pages.

* cited by examiner

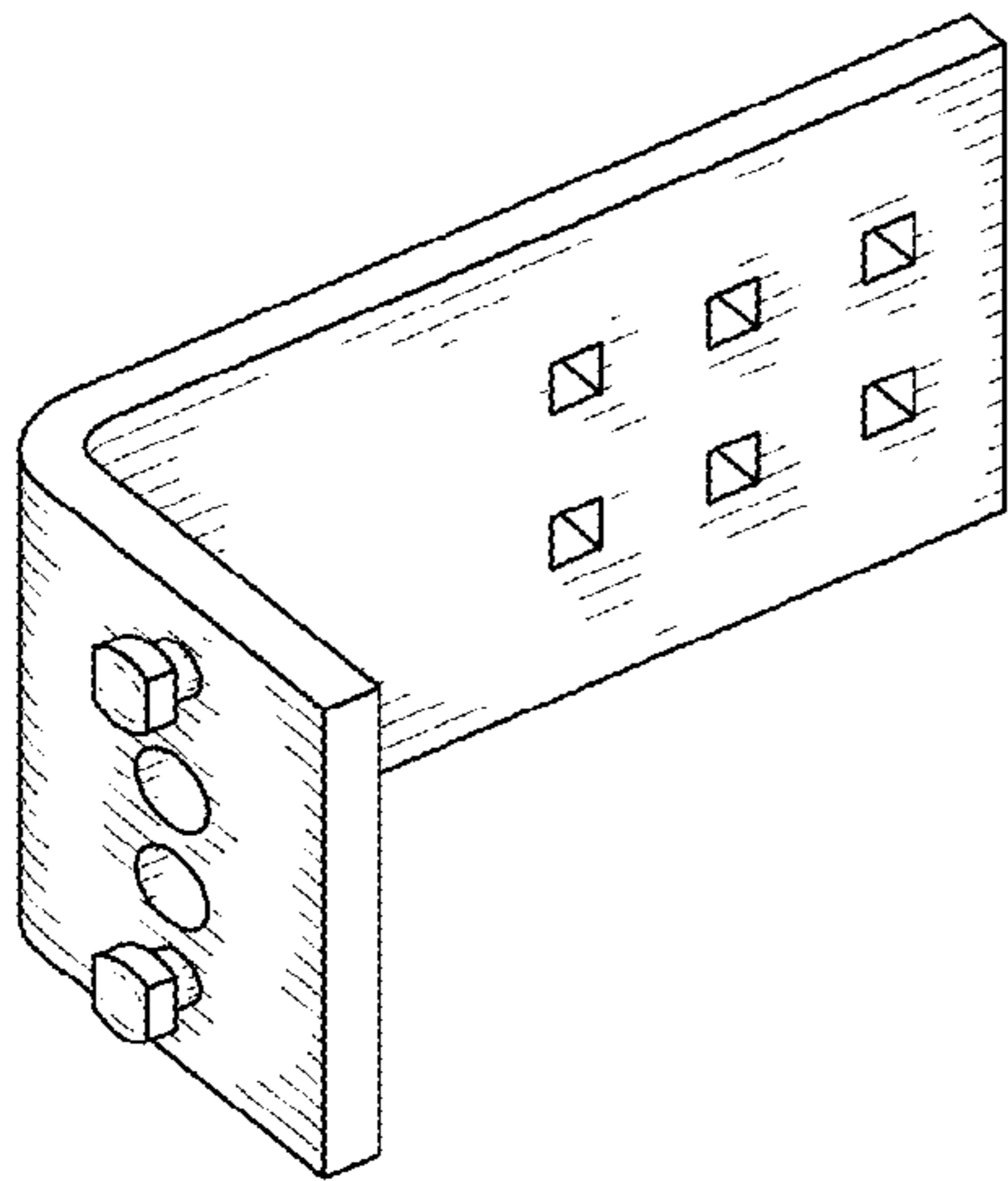


FIG. 1

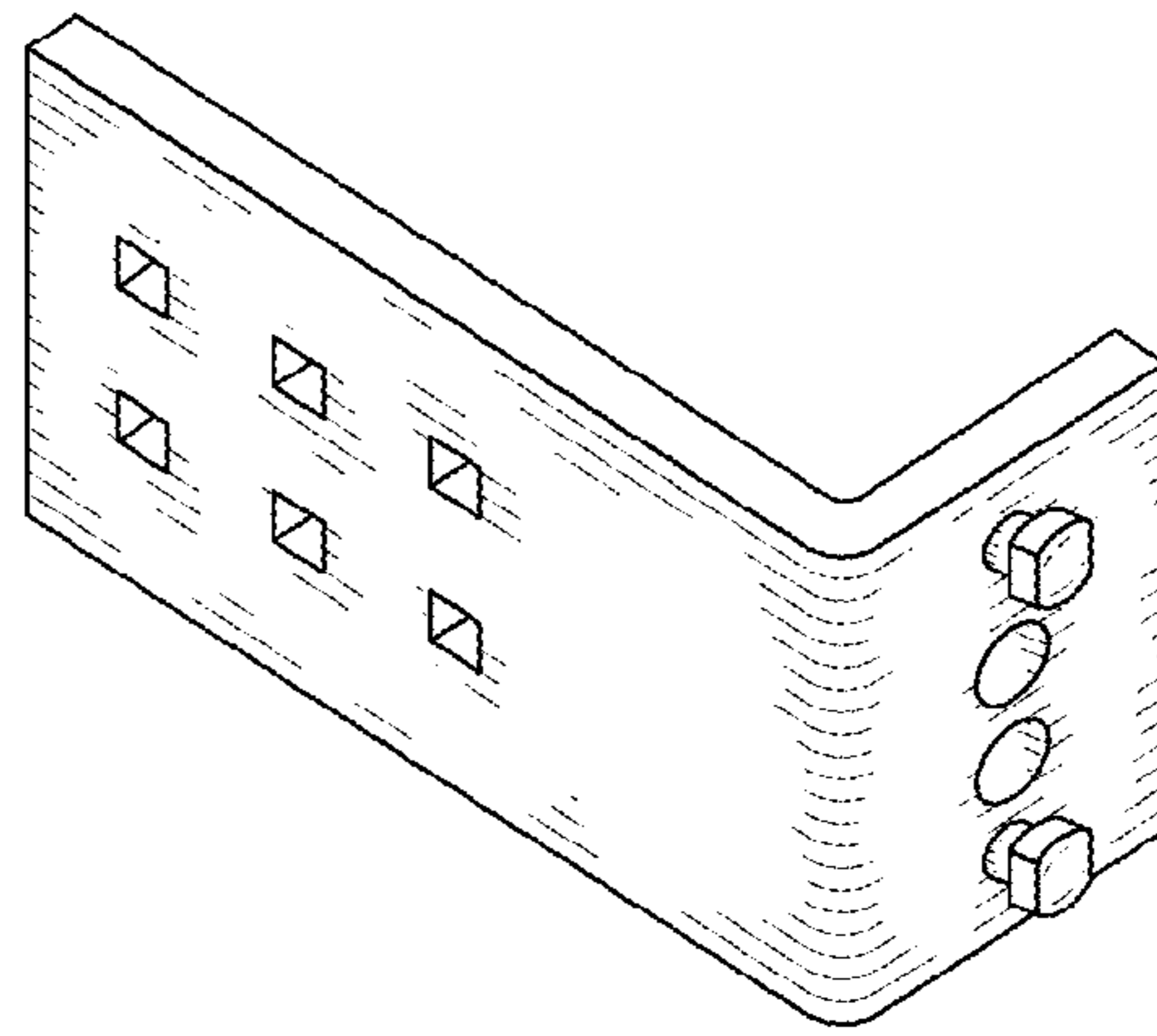


FIG. 2

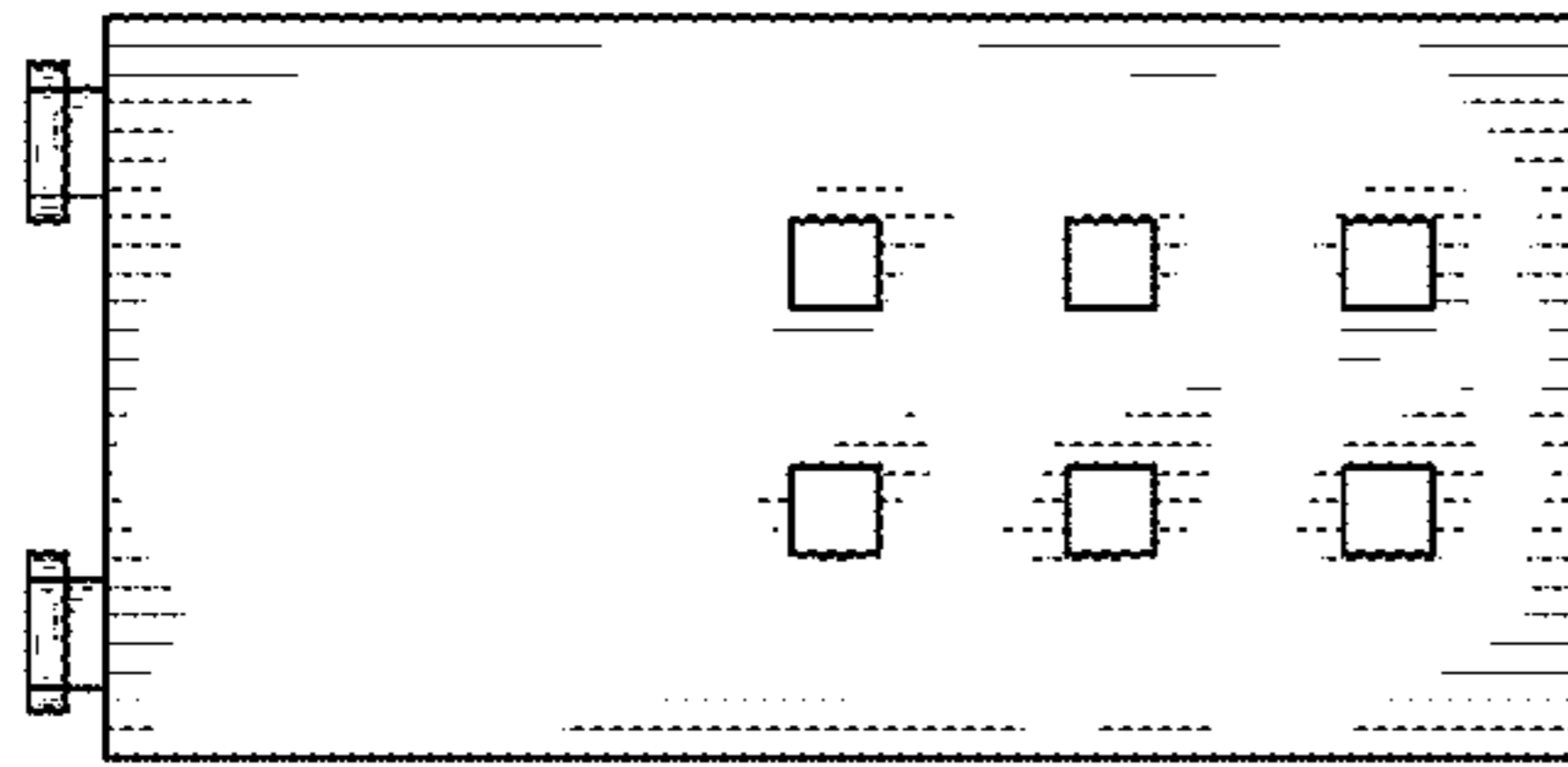


FIG. 3

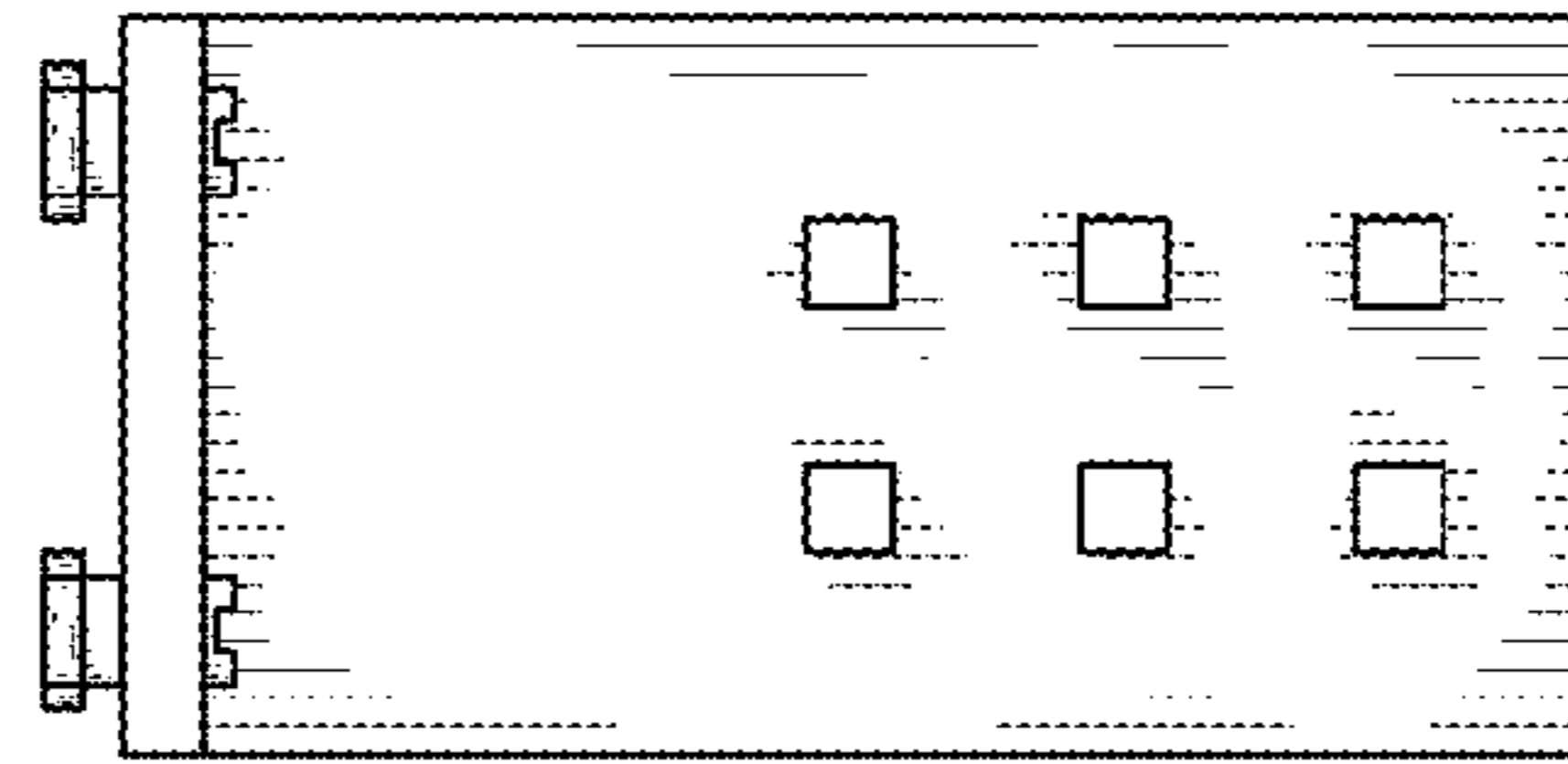


FIG. 4

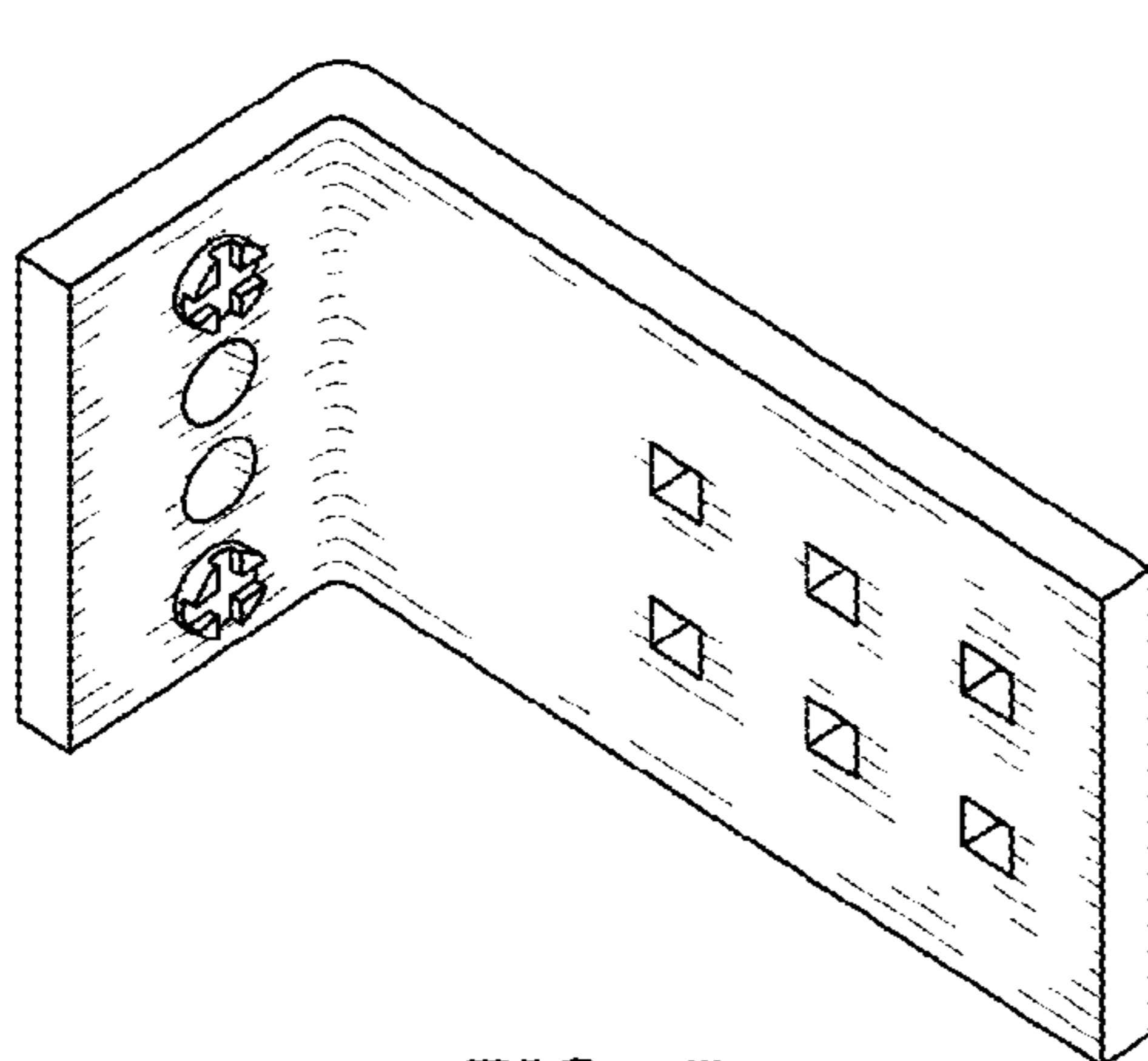


FIG. 5

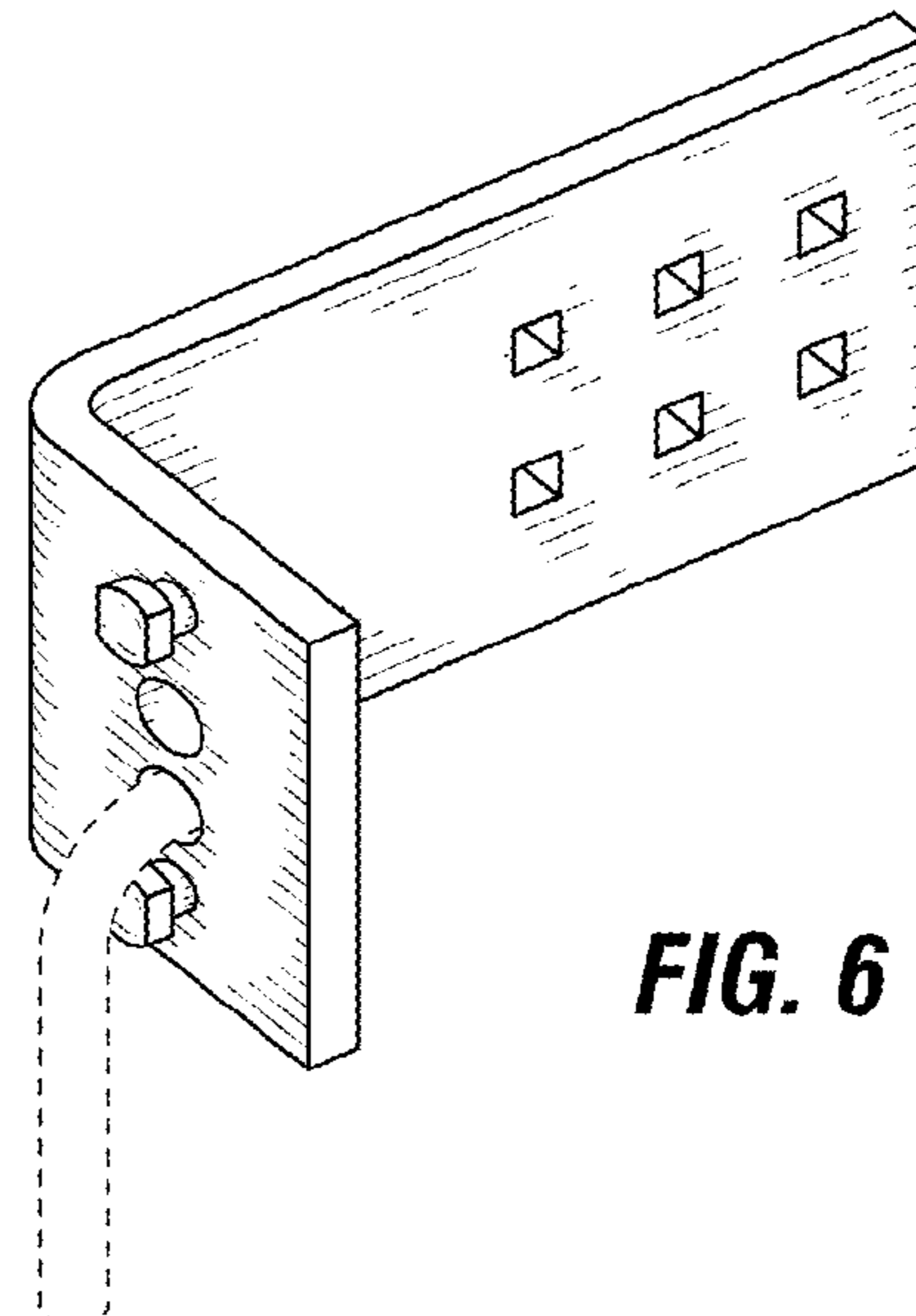


FIG. 6

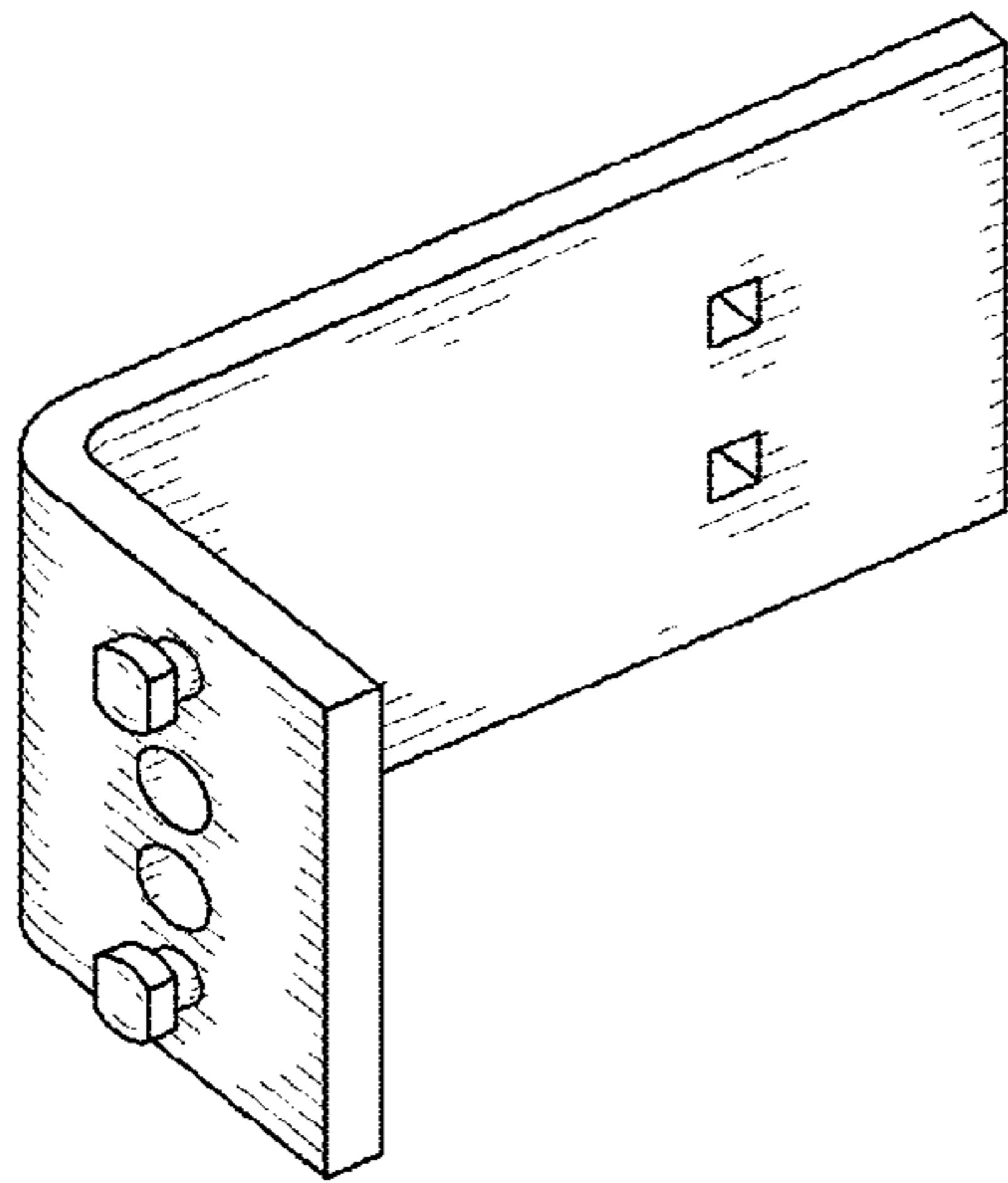


FIG. 7

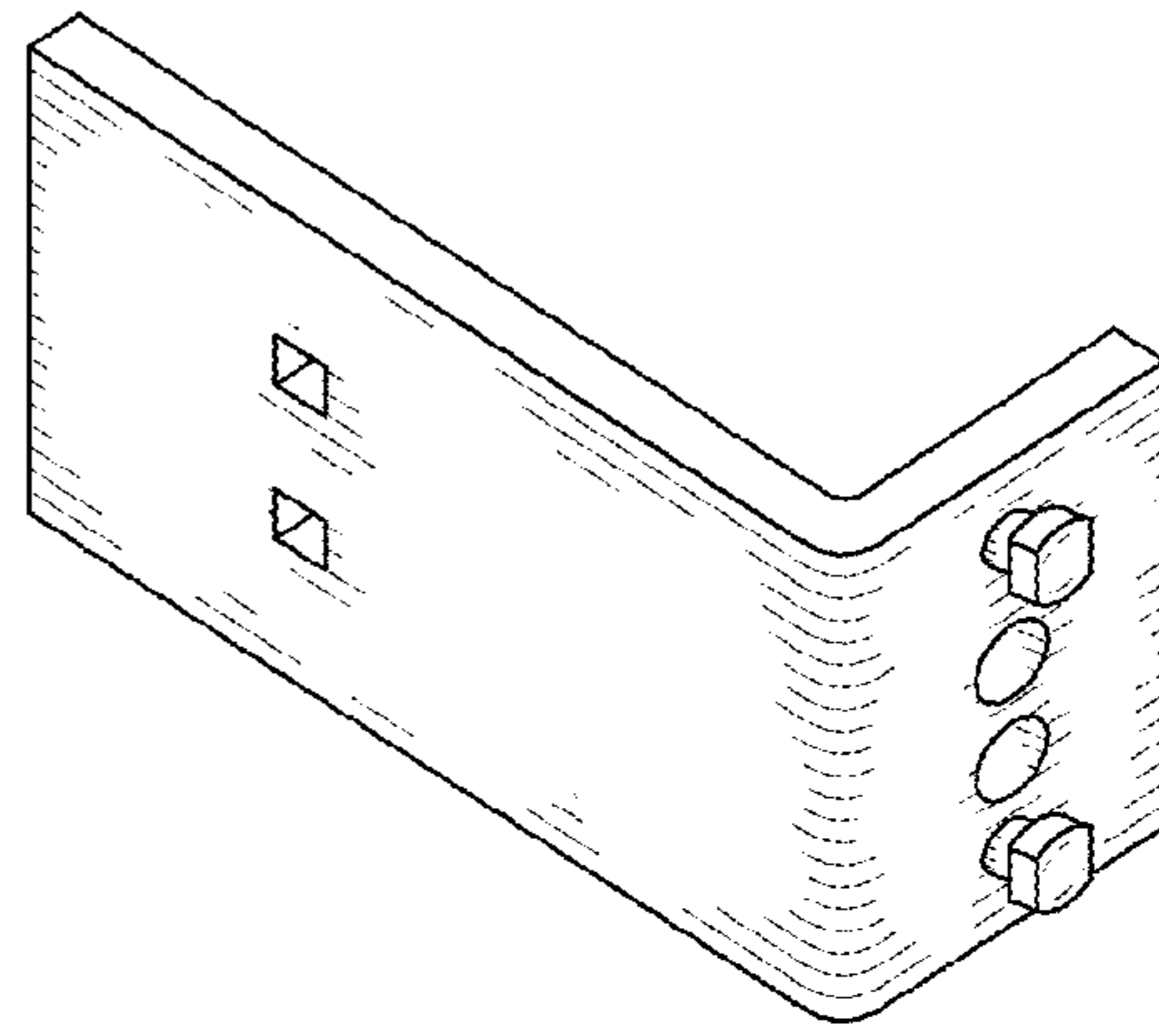


FIG. 8

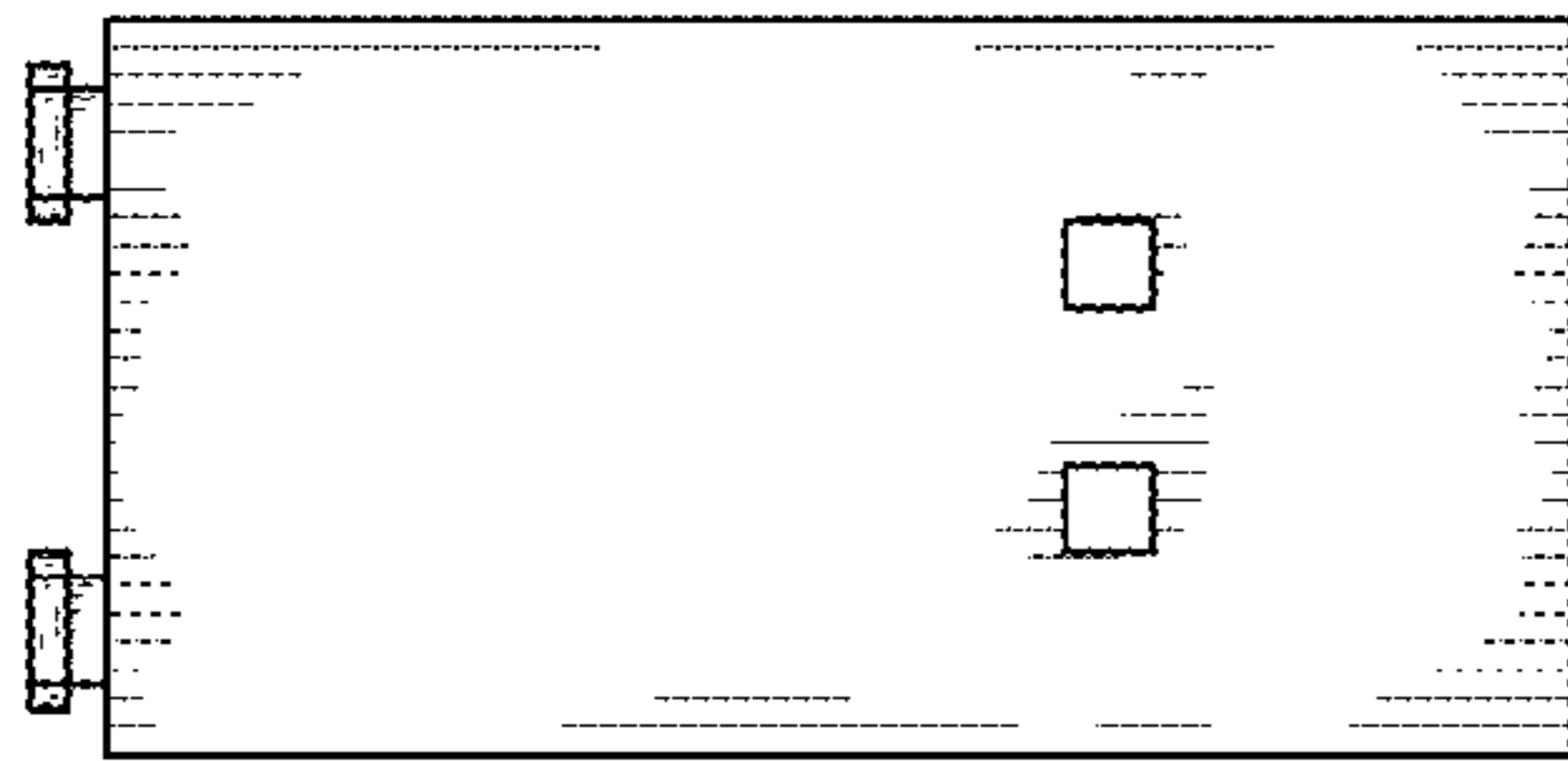


FIG. 9

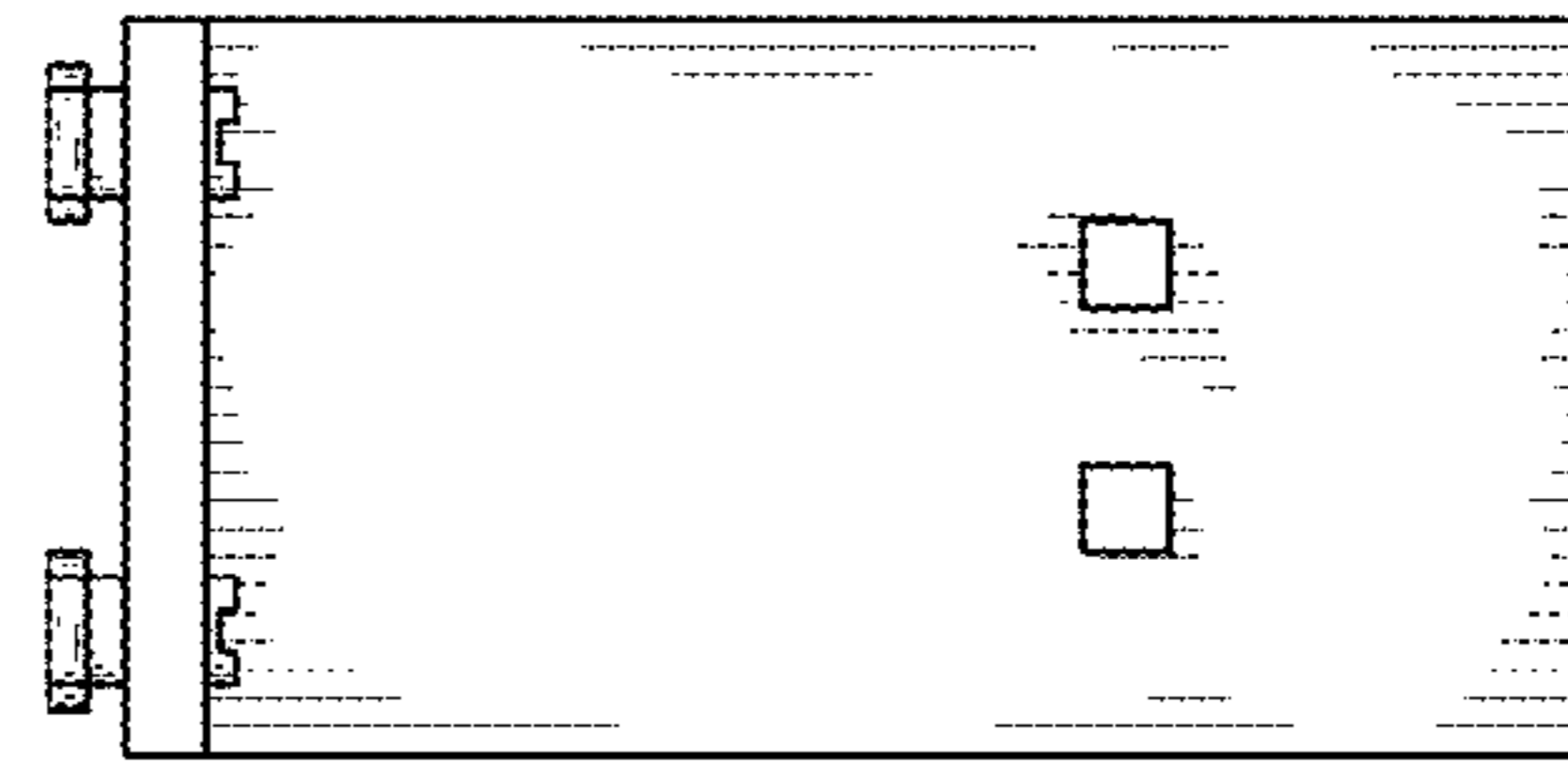


FIG. 10

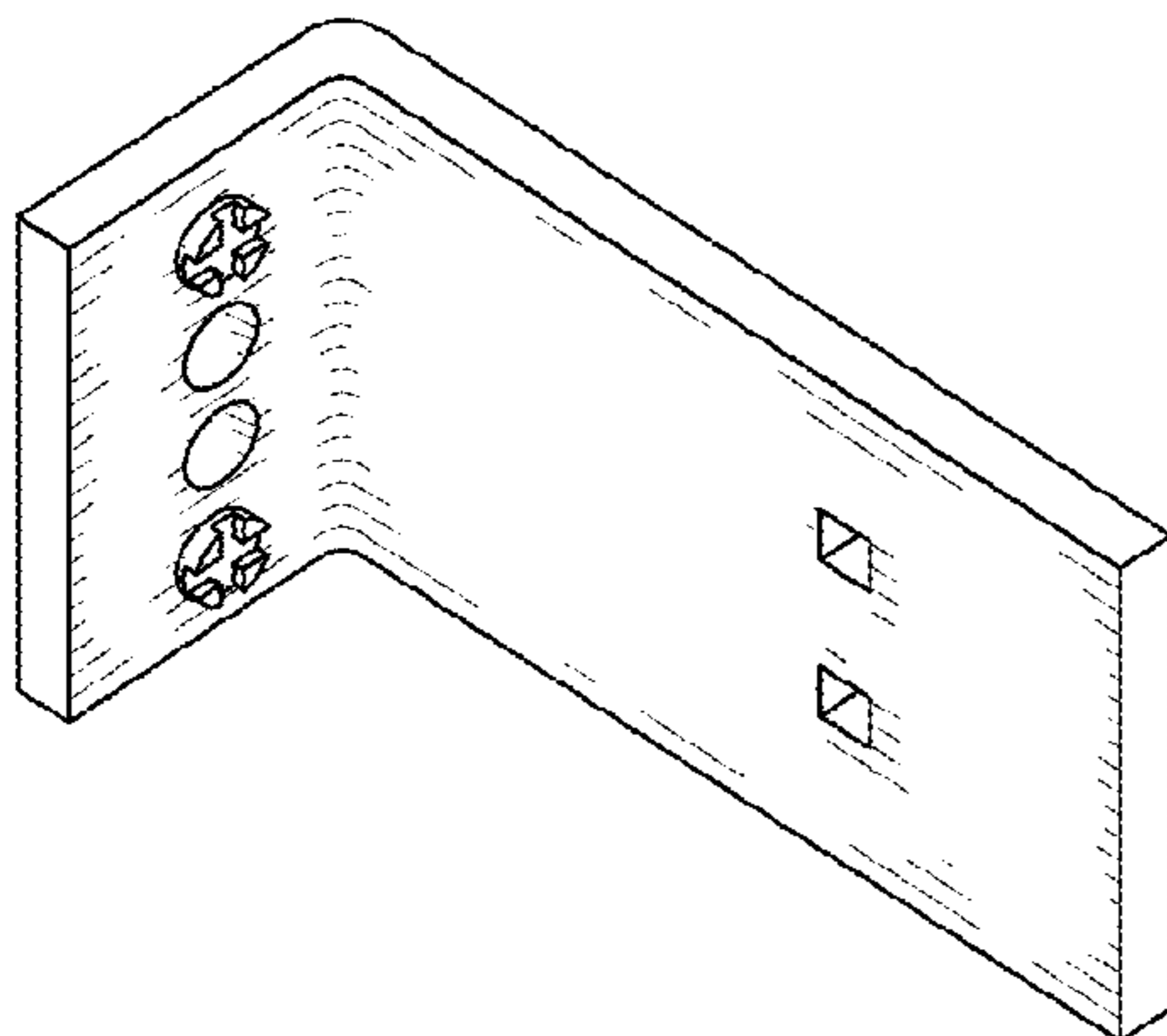


FIG. 11

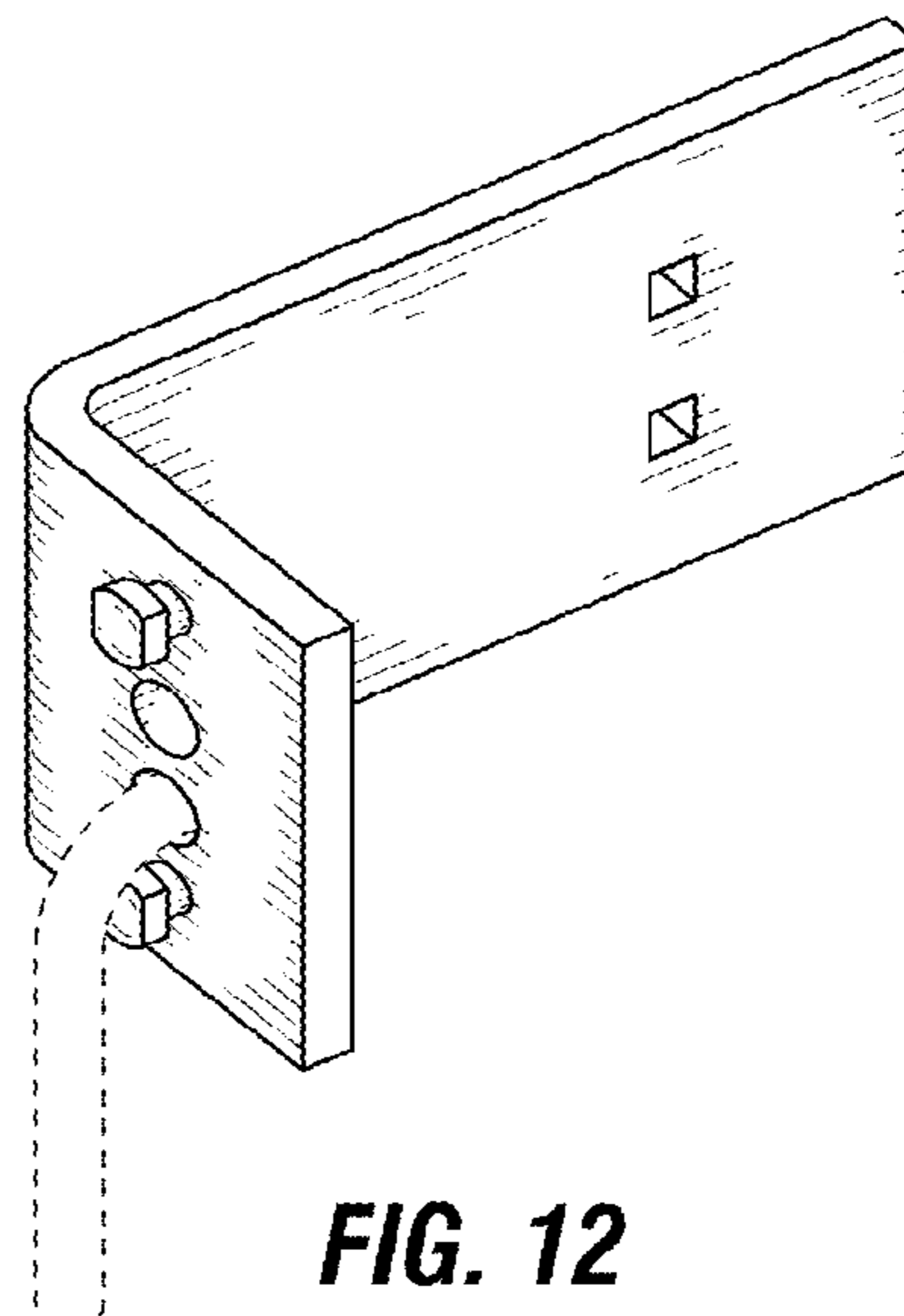


FIG. 12

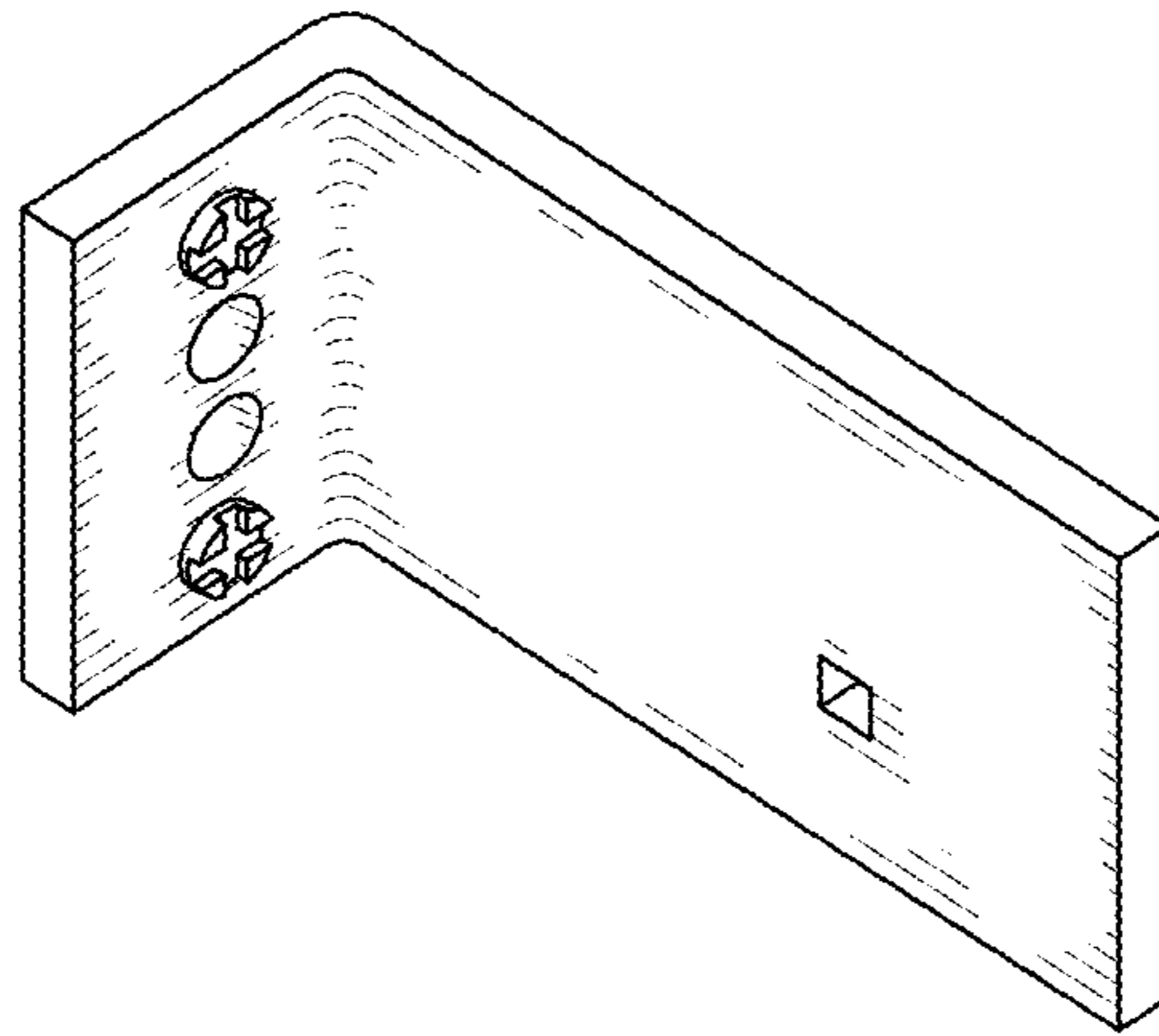


FIG. 13

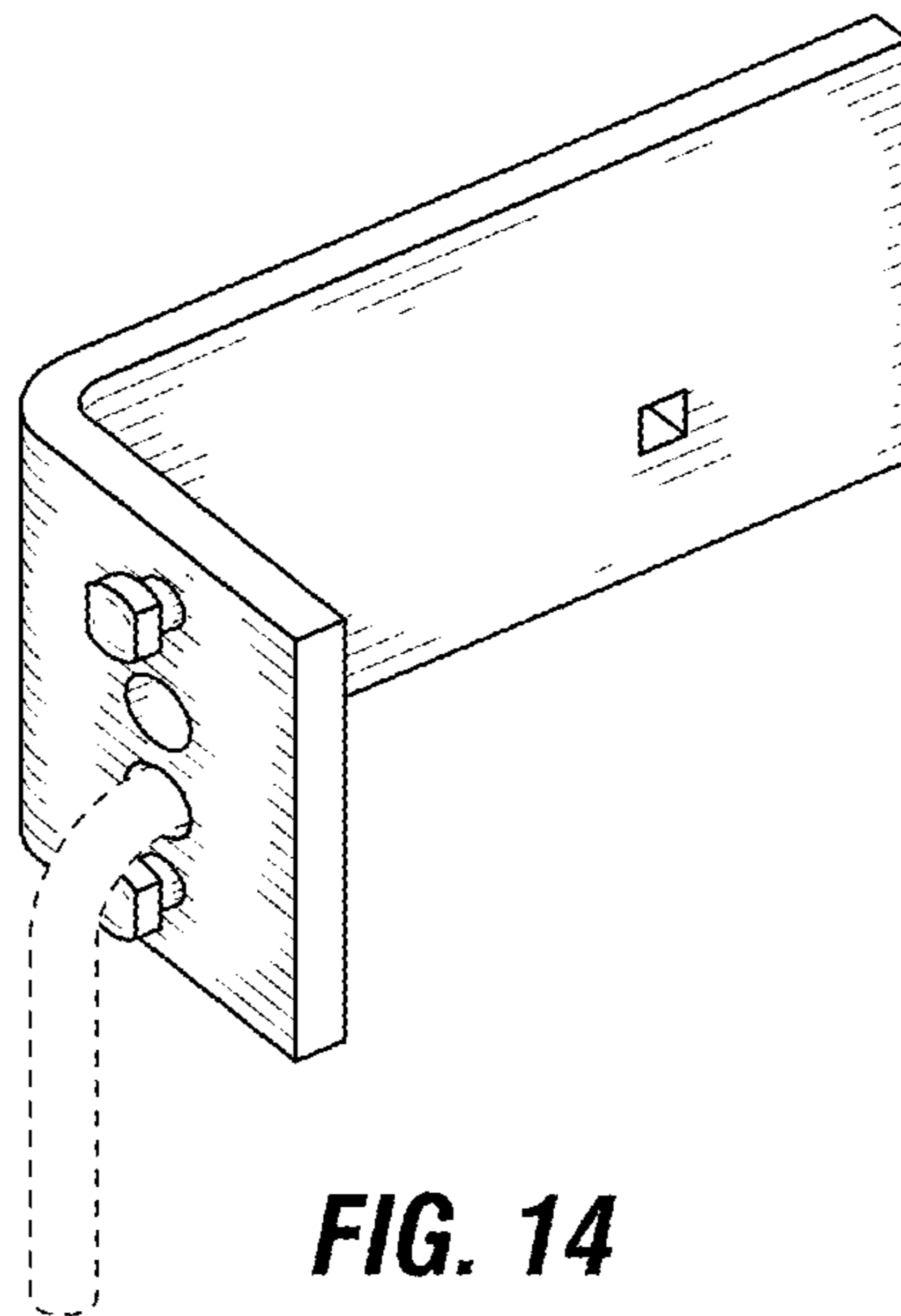


FIG. 14