



US00D913775S

(12) **United States Design Patent**  
**Gallagher**

(10) **Patent No.:** **US D913,775 S**

(45) **Date of Patent:** **\*\* \*Mar. 23, 2021**

(54) **SPACER BLOCK**

(71) Applicant: **INDUSTRIAL GALVANIZERS CORPORATION PTY LTD**, Minto (AU)

(72) Inventor: **Luke Gallagher**, Minto (AU)

(\*) Notice: This patent is subject to a terminal disclaimer.

(\*\*) Term: **15 Years**

(21) Appl. No.: **29/673,467**

(22) Filed: **Dec. 14, 2018**

(30) **Foreign Application Priority Data**

Jul. 26, 2018 (AU) ..... 201814469

(51) **LOC (13) Cl.** ..... **08-05**

(52) **U.S. Cl.**  
USPC ..... **D8/354**

(58) **Field of Classification Search**  
USPC ..... D8/354; D10/113.3; D25/38.1  
CPC ..... E01F 15/0423; E01F 15/0438; E01F 15/0461; E01F 15/0476  
See application file for complete search history.

(56) **References Cited**

**U.S. PATENT DOCUMENTS**

- 1,987,033 A \* 1/1935 Stewart ..... E01B 5/18 238/288
- D270,285 S \* 8/1983 Demarest ..... D25/38.1
- D354,218 S \* 1/1995 Van de Peer ..... D8/354
- 6,168,346 B1 \* 1/2001 Ernsberger ..... E01F 15/0438 256/13.1
- 6,299,141 B1 \* 10/2001 Lindsay ..... E01F 15/0476 256/13.1
- D525,181 S \* 7/2006 Horner ..... D12/180
- D772,044 S \* 11/2016 McCoy ..... D8/354

- D772,045 S \* 11/2016 McCoy ..... D8/354
- D772,046 S \* 11/2016 McCoy ..... D8/354
- D772,047 S \* 11/2016 McCoy ..... D8/354
- D821,182 S \* 6/2018 Ito ..... D8/354
- D824,242 S \* 7/2018 Ito ..... D8/354
- D830,152 S \* 10/2018 Ito ..... D8/354
- D838,577 S \* 1/2019 Ito ..... D8/354
- D838,578 S \* 1/2019 Ito ..... D8/354
- D841,431 S \* 2/2019 Ito ..... D8/354
- D841,436 S \* 2/2019 Ito ..... D8/354
- D841,437 S \* 2/2019 Ito ..... D8/354
- D841,438 S \* 2/2019 Ito ..... D8/354
- D842,685 S \* 3/2019 Ito ..... D8/354
- 2007/0098489 A1 \* 5/2007 Demozzi ..... E01F 15/0438 404/6
- 2008/0265231 A1 \* 10/2008 King ..... E01F 15/0438 256/13.1
- 2009/0279950 A1 \* 11/2009 Amengual Pericas ..... E01F 15/0438 404/10
- 2014/0050524 A1 \* 2/2014 Kulkarni ..... E01F 15/043 404/6
- 2018/0119374 A1 \* 5/2018 Gremling ..... E01F 15/043

(Continued)

*Primary Examiner* — Leanne Was-Englehart

(74) *Attorney, Agent, or Firm* — Alexander R. Schlee; Schlee IP International, PC

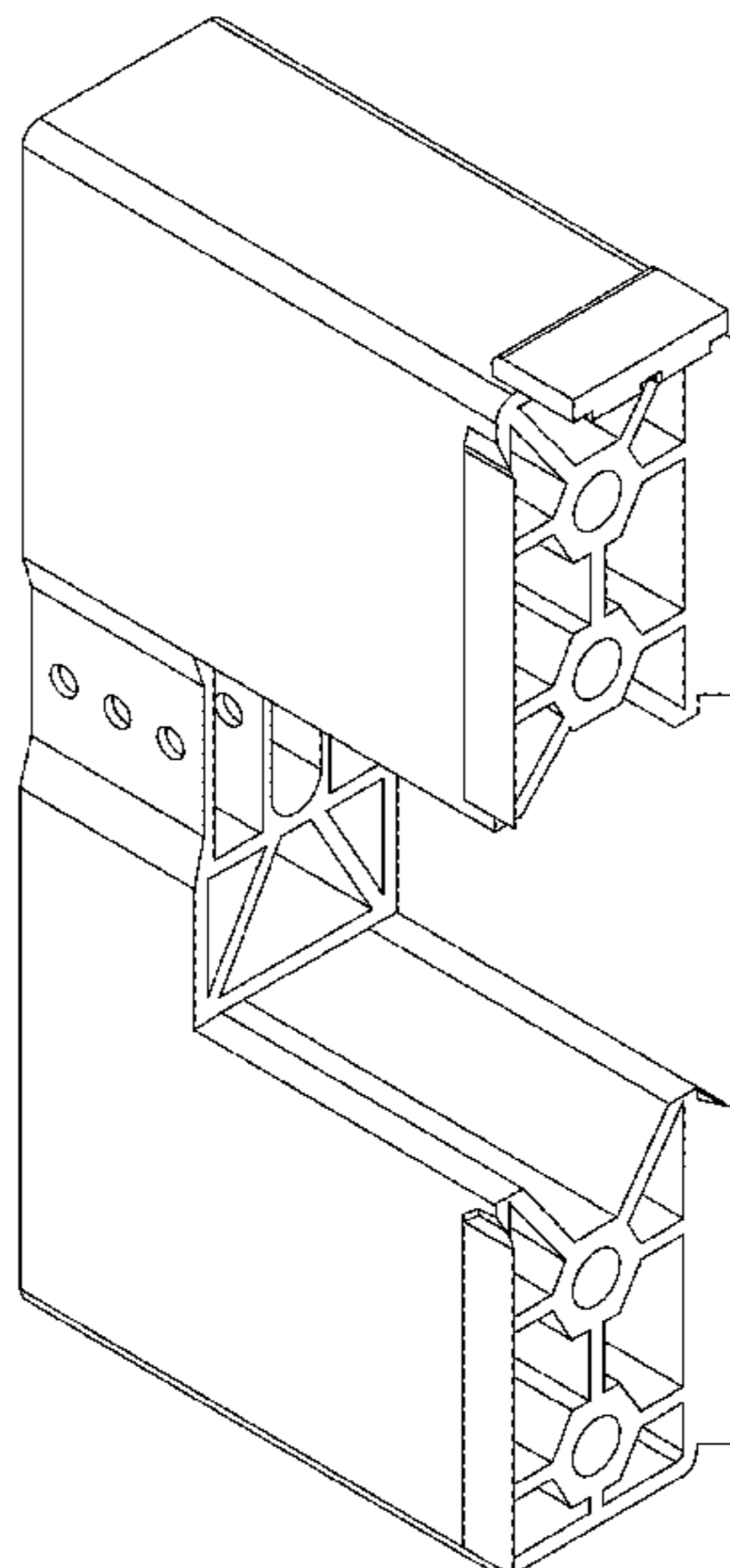
(57) **CLAIM**

The ornamental design for a spacer block, as shown and described.

**DESCRIPTION**

FIG. 1 is a rear upper perspective view of a spacer block; FIG. 2 is a front view of a spacer block; FIG. 3 is a right side view of a spacer block; FIG. 4 is a left side view of a spacer block; FIG. 5 is a rear view of a spacer block; FIG. 6 is a plan view of a spacer block; FIG. 7 is a underneath view of a spacer block; and, FIG. 8 is a front upper perspective view of a spacer block.

**1 Claim, 8 Drawing Sheets**



(56)

**References Cited**

U.S. PATENT DOCUMENTS

2018/0216303 A1\* 8/2018 Dyke ..... E01F 15/143  
2019/0242080 A1\* 8/2019 Pierson ..... E01F 15/0423  
2020/0032468 A1\* 1/2020 Gallagher ..... E01F 15/0461

\* cited by examiner

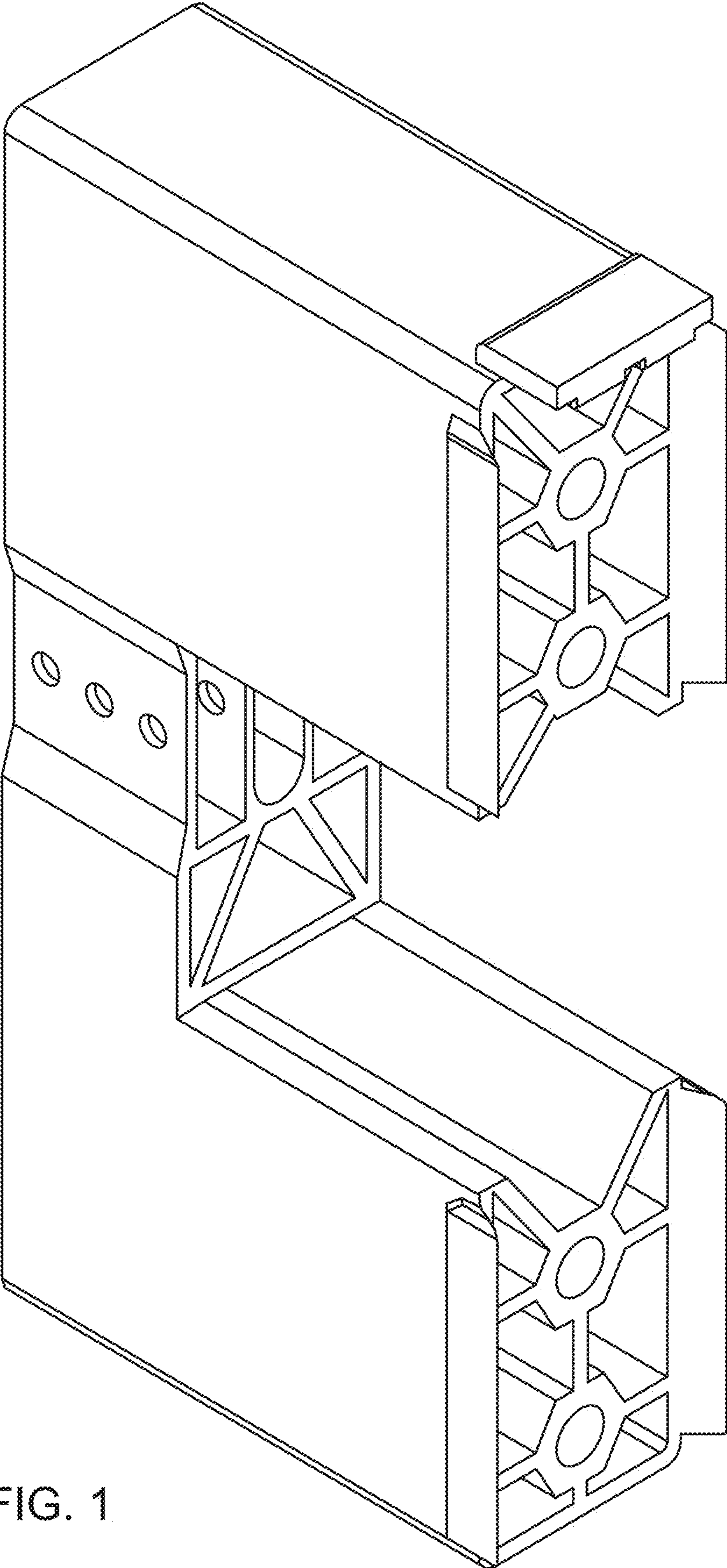


FIG. 1

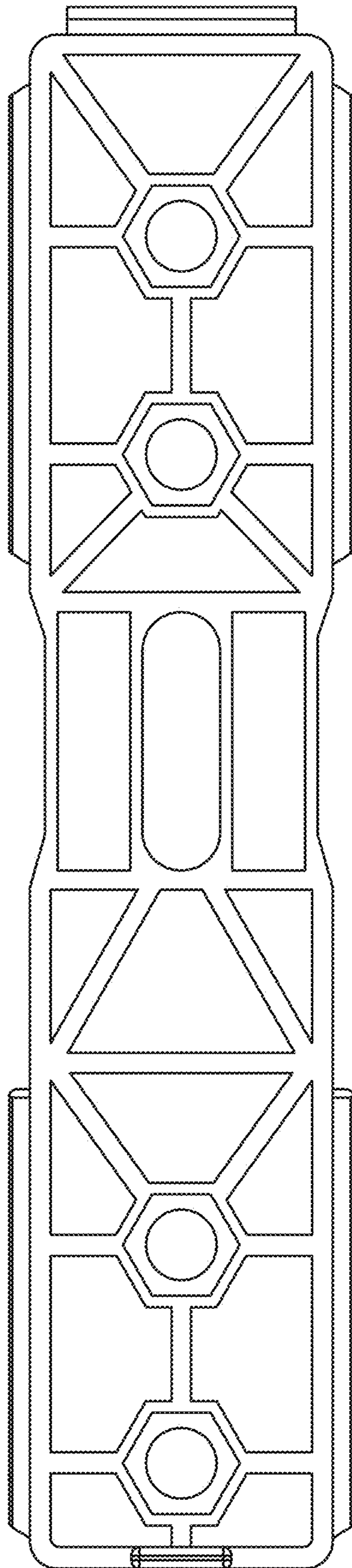


FIG. 2

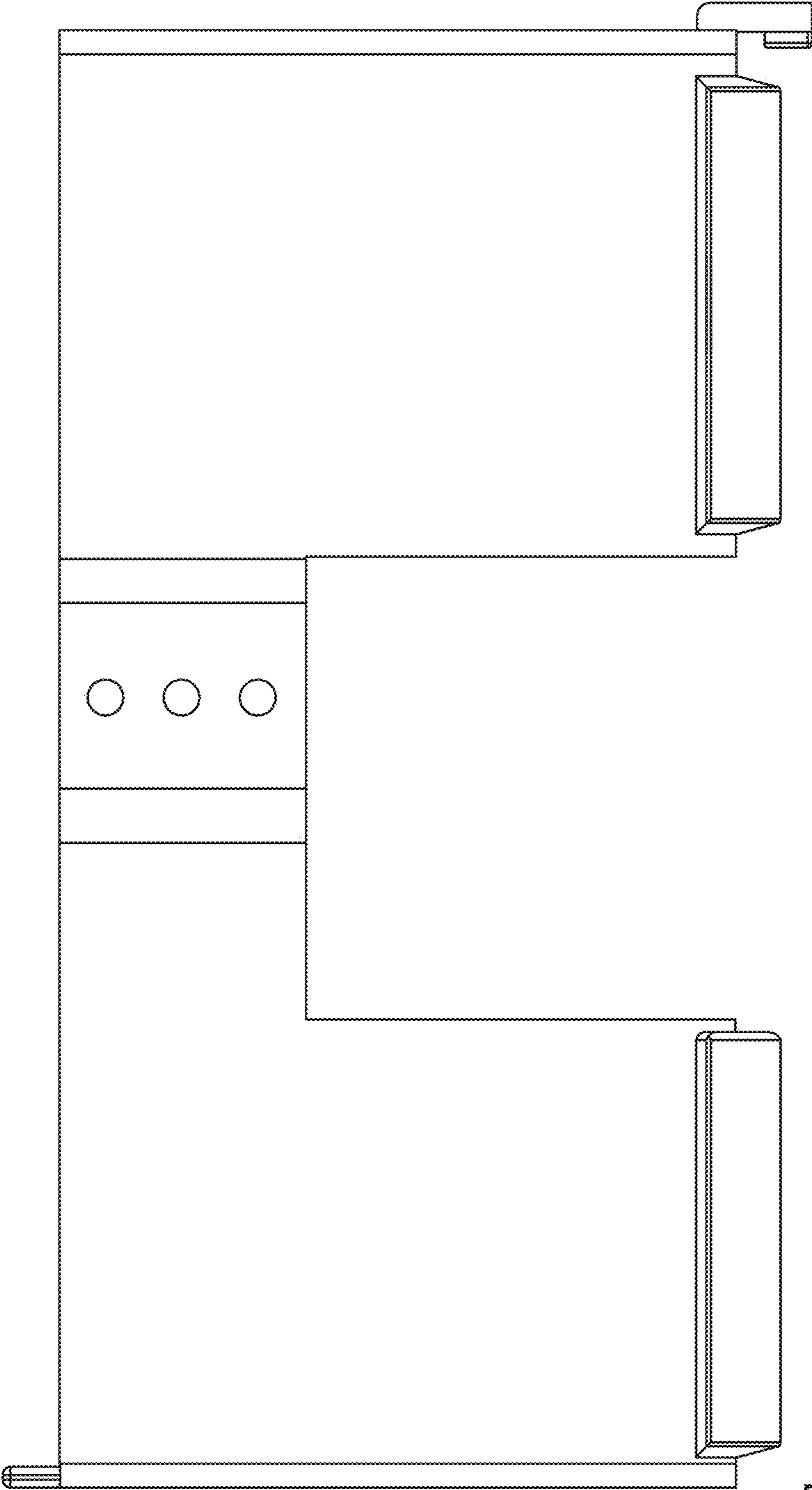


FIG. 3

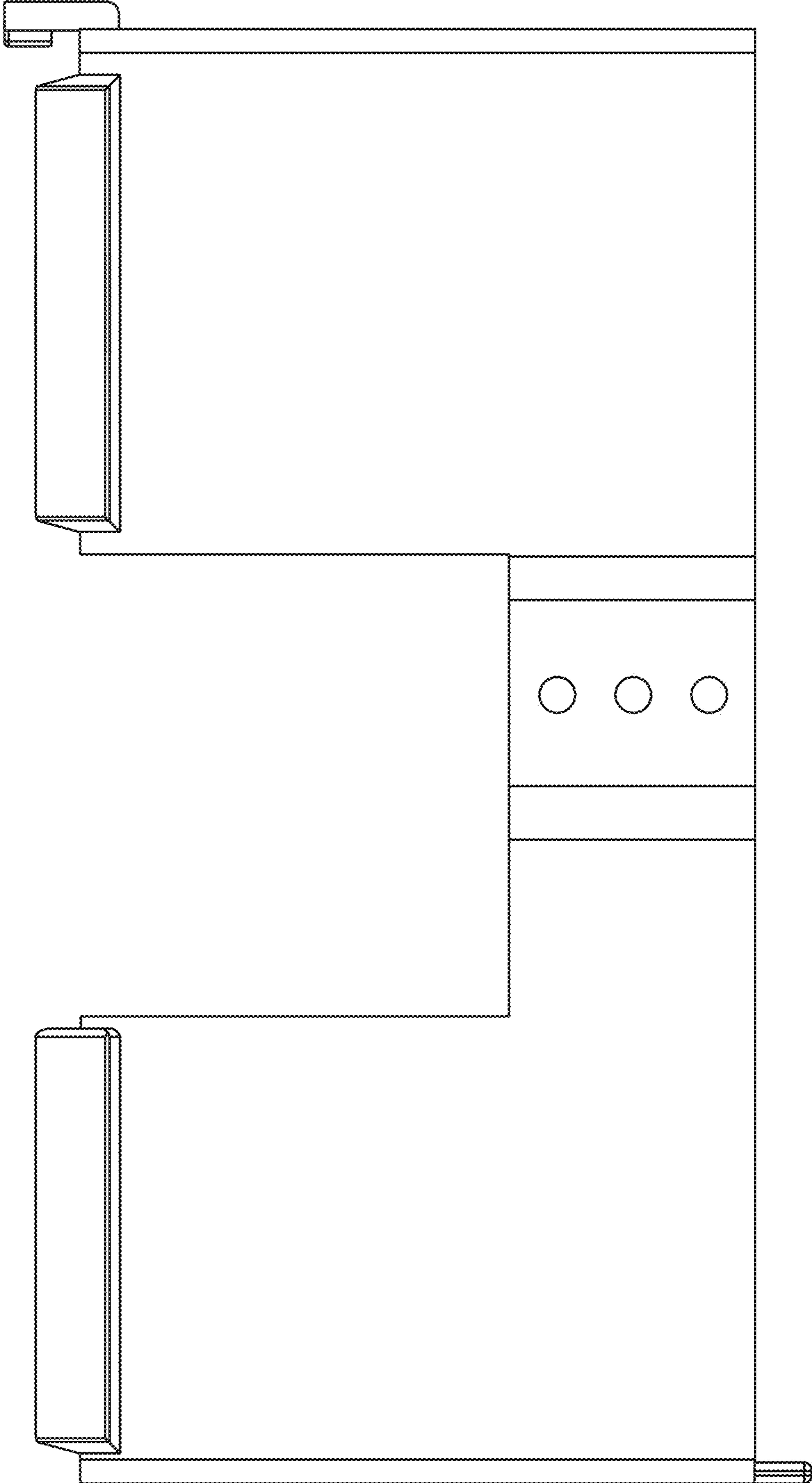


FIG. 4

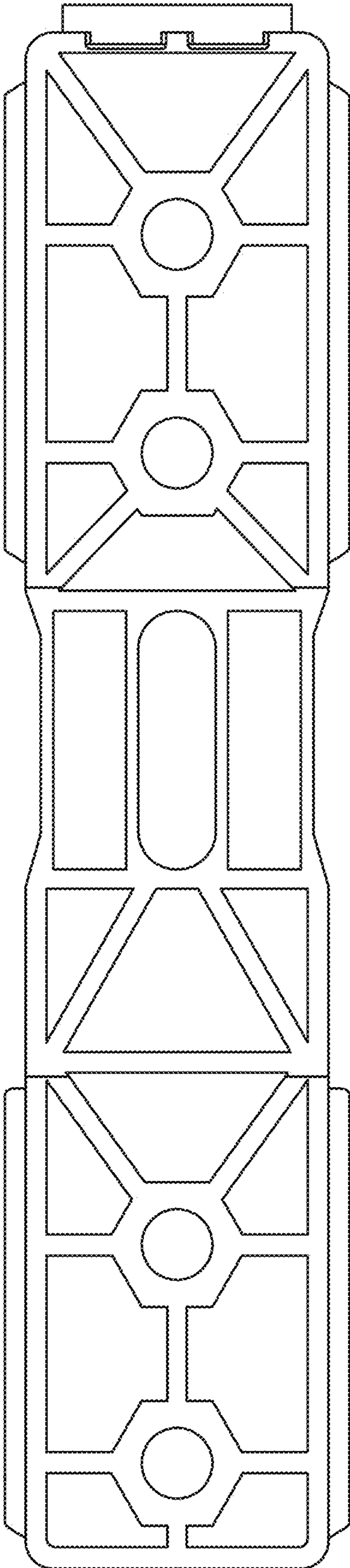


FIG. 5

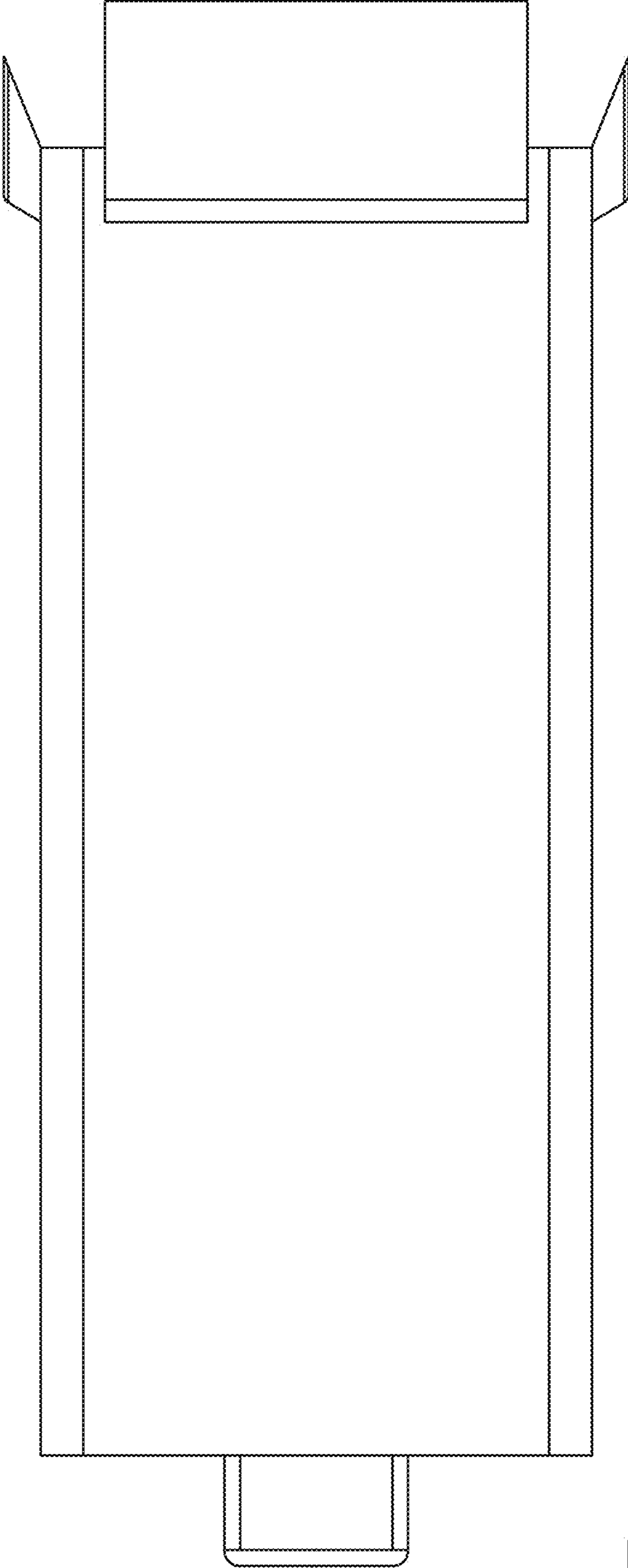


FIG. 6



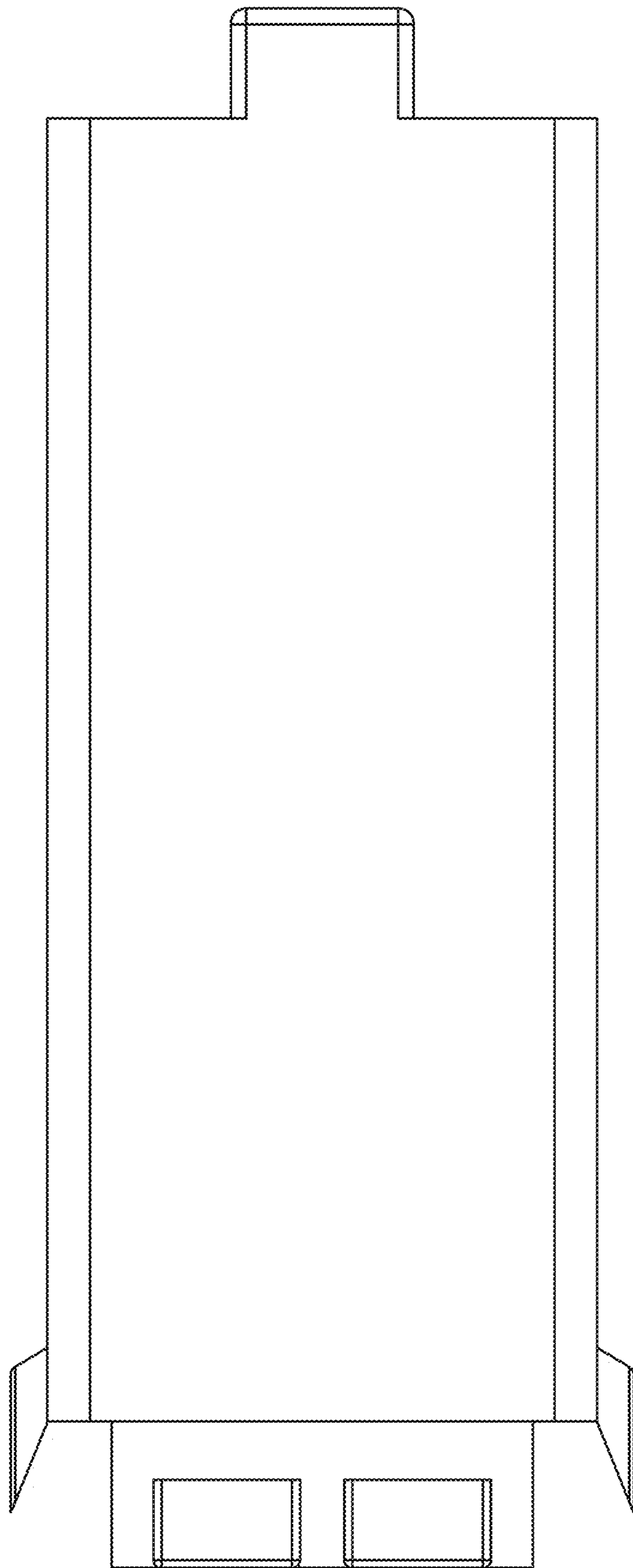


FIG. 7

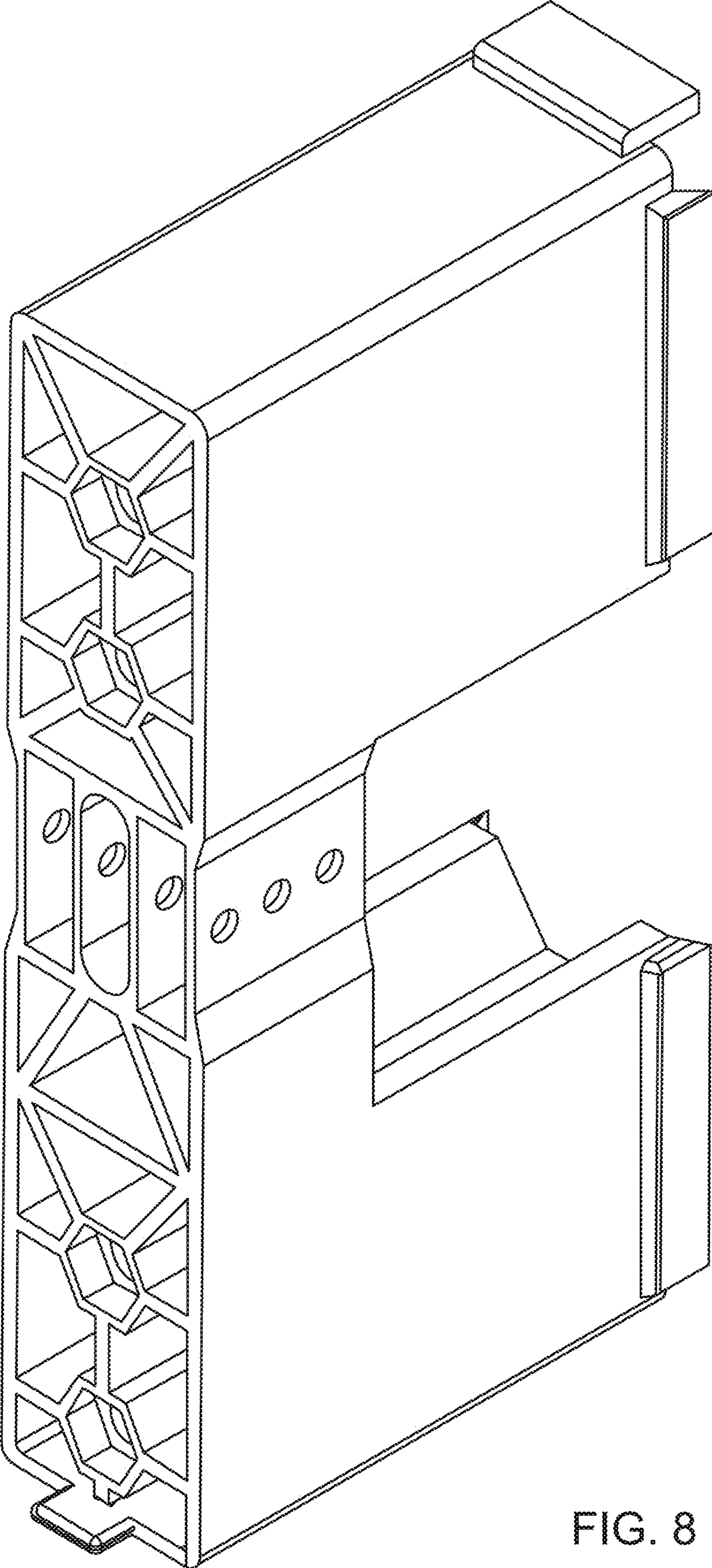


FIG. 8