



US00D913774S

(12) **United States Design Patent** (10) **Patent No.:** **US D913,774 S**
Leuciuc (45) **Date of Patent:** **** Mar. 23, 2021**

(54) **TILE SPACER AND WEDGE TOOL**
 (71) Applicant: **Liviu Leuciuc**, Knoxville, TN (US)
 (72) Inventor: **Liviu Leuciuc**, Knoxville, TN (US)
 (**) Term: **15 Years**
 (21) Appl. No.: **29/646,232**
 (22) Filed: **May 2, 2018**
 (51) **LOC (13) Cl.** **08-05**
 (52) **U.S. Cl.**
 USPC **D8/354; D8/47**
 (58) **Field of Classification Search**
 USPC D8/45, 47, 105, 354, 355
 CPC .. E04F 21/0092; E04F 15/02022; E04F 21/20
 See application file for complete search history.

2009/0126213 A1* 5/2009 Tavy E04F 21/0092
 33/527
 2015/0308130 A1* 10/2015 Biec E04F 21/0092
 52/749.11
 2019/0063084 A1* 2/2019 Bunch E04F 13/0892
 2019/0292797 A1* 9/2019 Leuciuc E04F 21/0092
 2019/0338536 A1* 11/2019 Bordin E04F 15/02022
 2020/0318366 A1* 10/2020 Sighinolfi E04F 21/22
 2020/0347617 A1* 11/2020 Troxell E04F 21/0092

* cited by examiner

Primary Examiner — Lauren R Calve
 (74) *Attorney, Agent, or Firm* — Dunlap Bennett & Ludwig, PLLC; Brendan E. Squire

(57) **CLAIM**

The ornamental design for a tile spacer and wedge tool, as shown and described.

DESCRIPTION

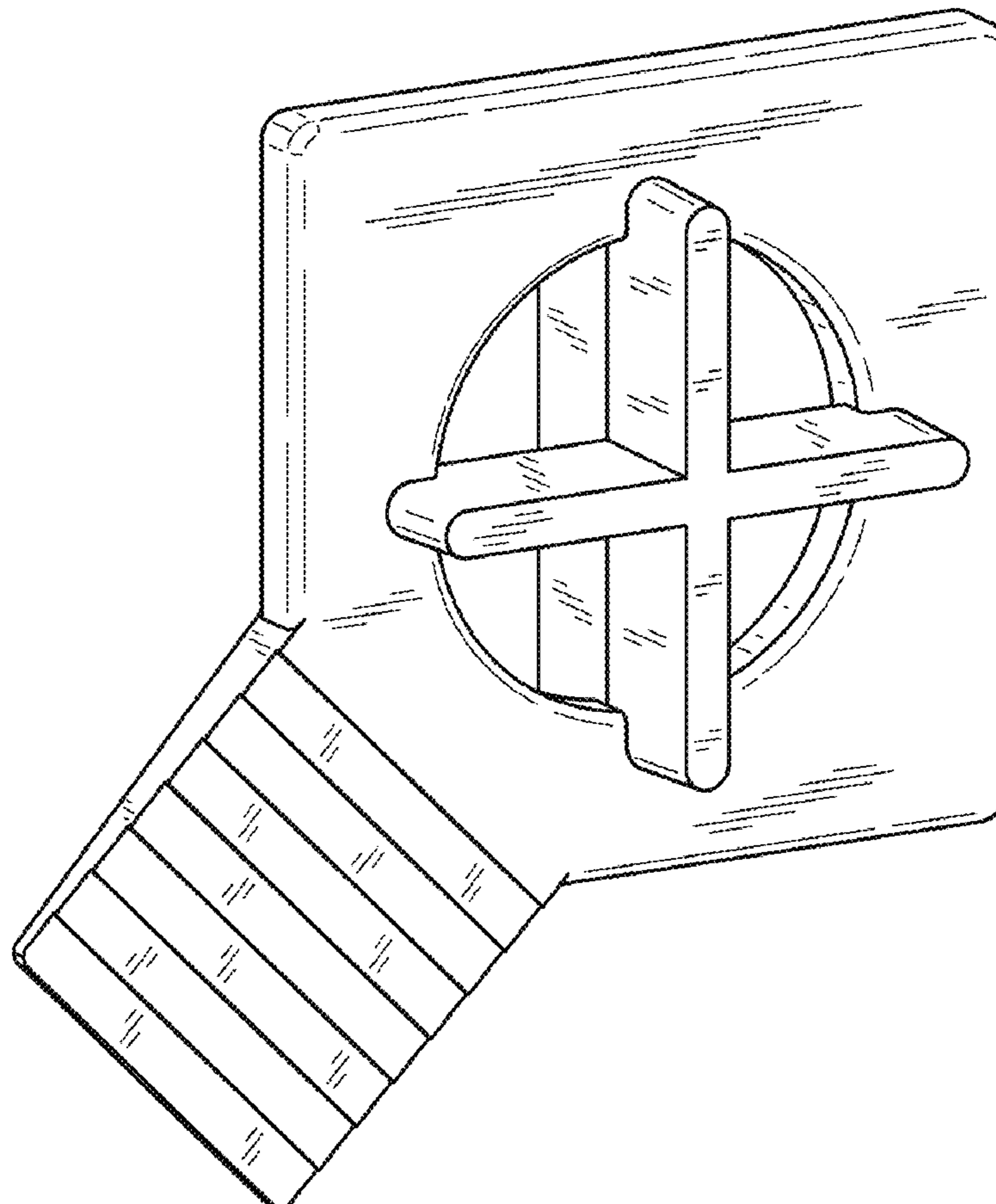
FIG. 1 is a front perspective view of a tile spacer and wedge tool showing my new design;
 FIG. 2 is a front elevation view thereof;
 FIG. 3 is a rear elevation view thereof;
 FIG. 4 is a left side elevation view thereof;
 FIG. 5 is a right side elevation view thereof;
 FIG. 6 is a top plan view thereof; and,
 FIG. 7 is a bottom plan view thereof.

(56) **References Cited**

U.S. PATENT DOCUMENTS

7,954,300 B1* 6/2011 Kufner E04F 21/22
 52/749.11
 D678,039 S * 3/2013 Psaila D8/354
 D832,680 S * 11/2018 Bunch D8/354
 D899,900 S * 10/2020 Blanco D8/354
 2005/0214502 A1* 9/2005 Westthorp E04F 21/0092
 428/98

1 Claim, 3 Drawing Sheets



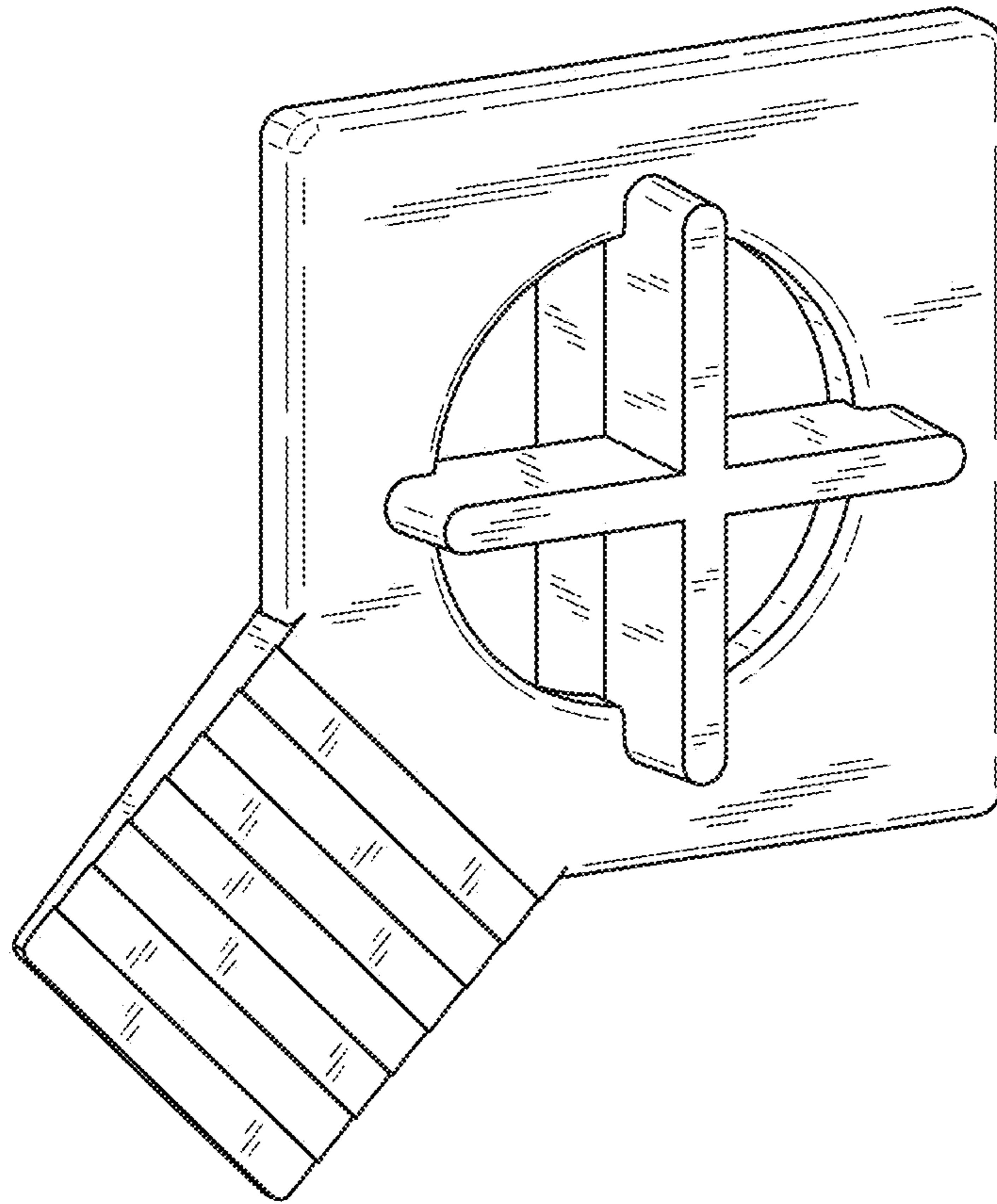


FIG. 1

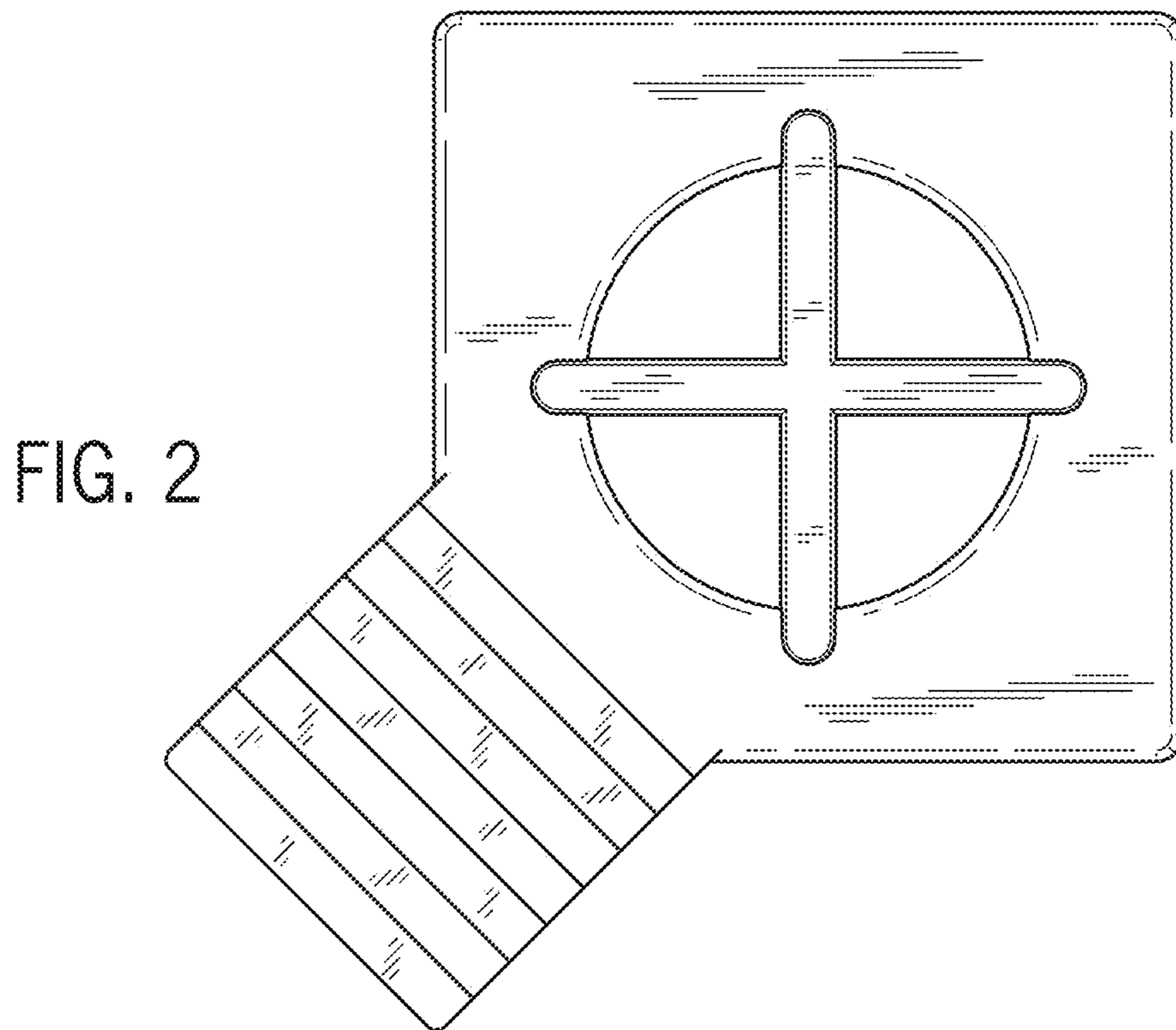


FIG. 2

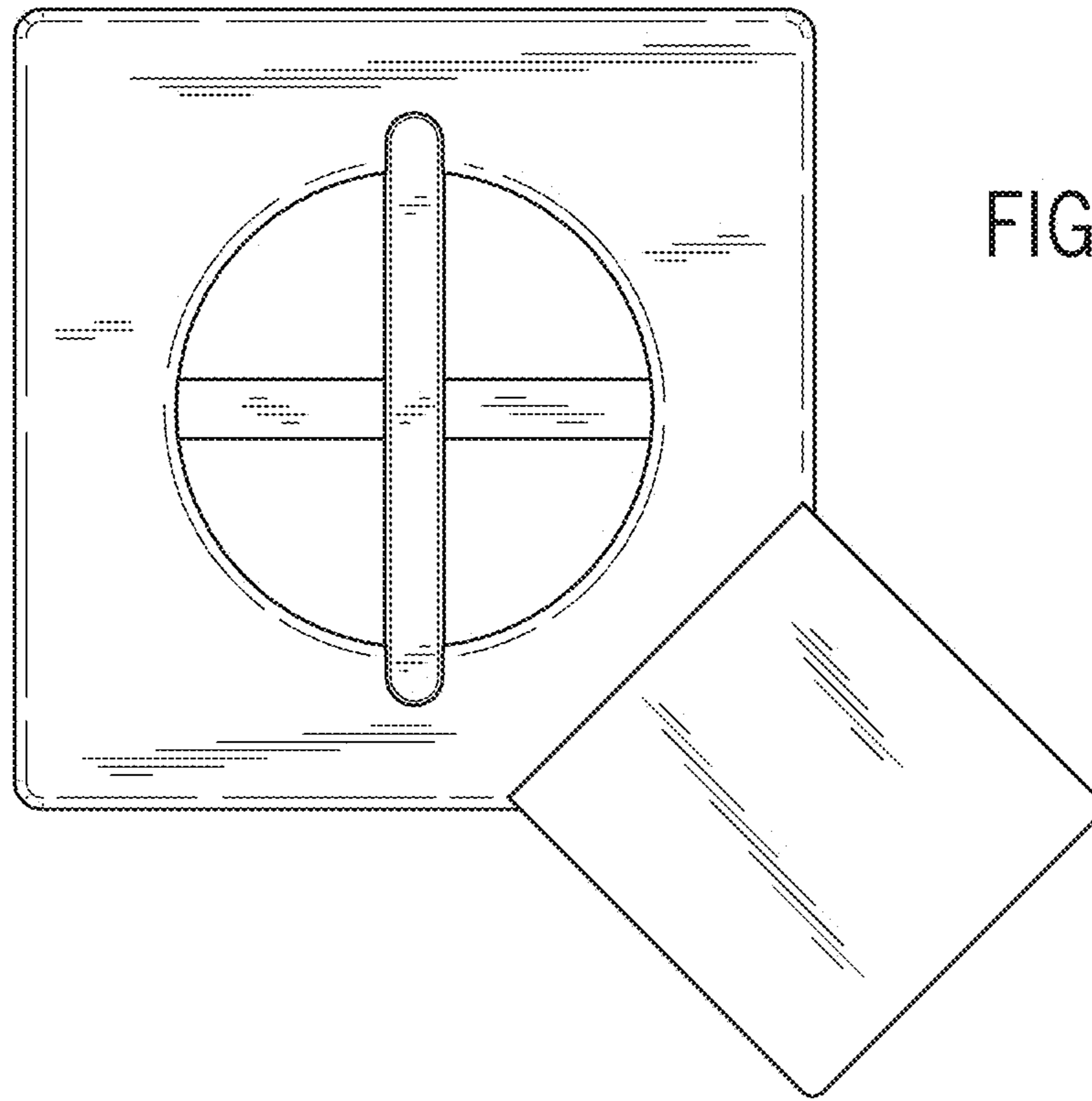


FIG. 3

FIG. 4

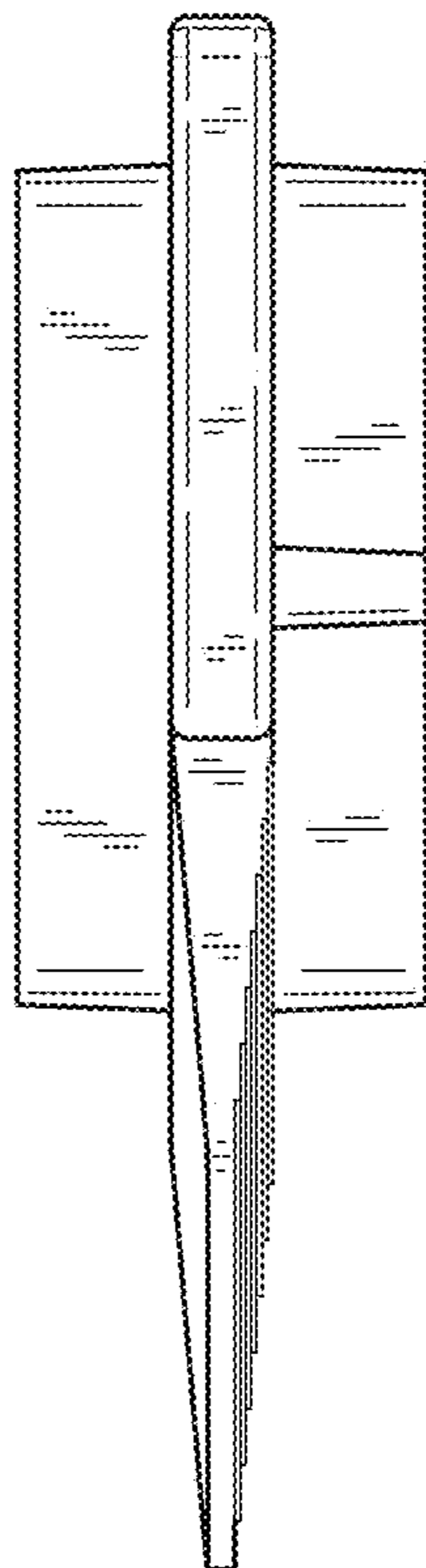
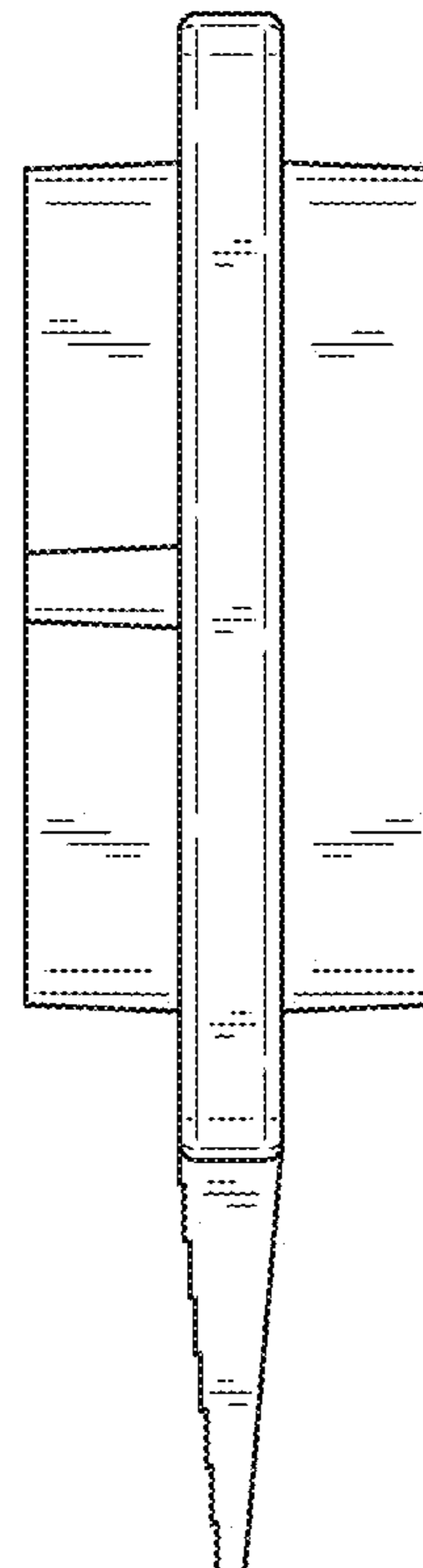


FIG. 5



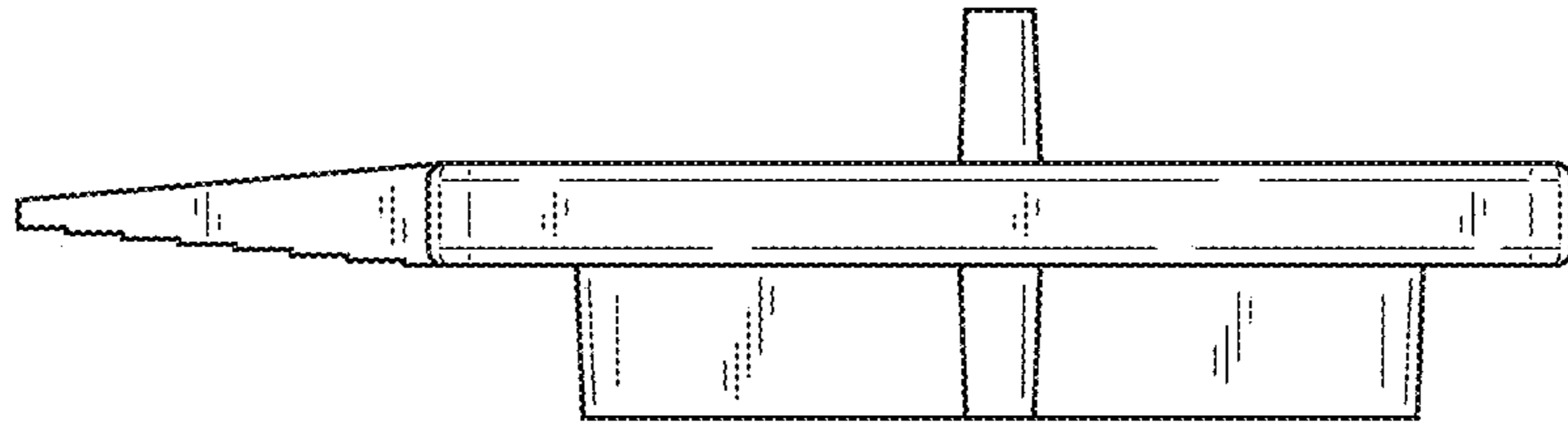


FIG. 6

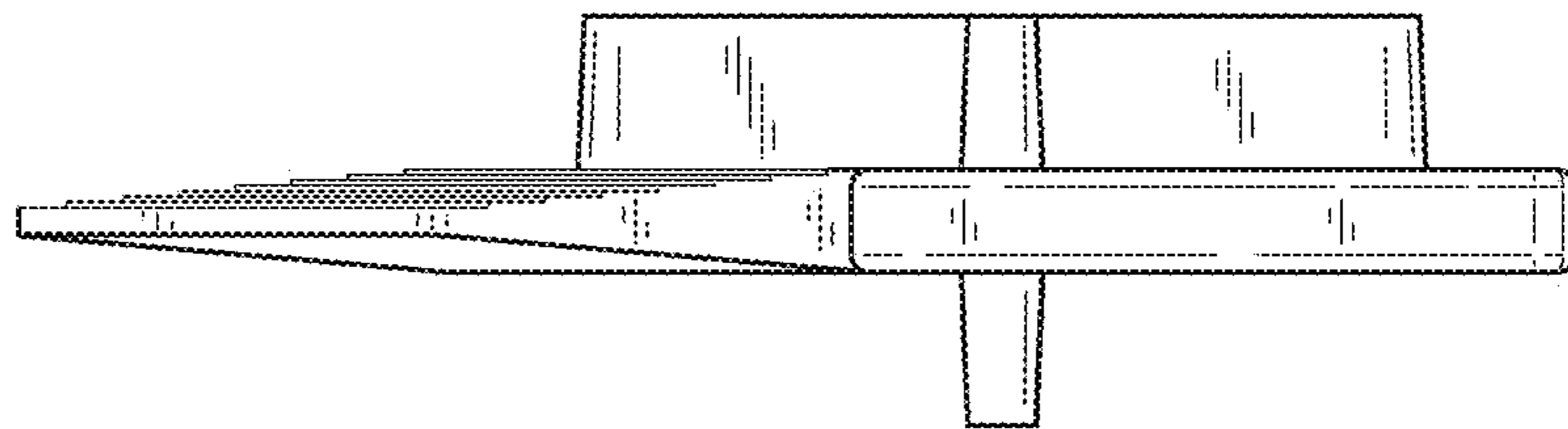


FIG. 7