



US00D913771S

(12) **United States Design Patent**
Wikstrom

(10) **Patent No.:** **US D913,771 S**
(45) **Date of Patent:** **** Mar. 23, 2021**

- (54) **TAMPER-EVIDENT BOX LOCK**
- (71) Applicant: **Todd Wikstrom**, Las Vegas, NV (US)
- (72) Inventor: **Todd Wikstrom**, Las Vegas, NV (US)
- (73) Assignee: **PIZZALOC LLC**
- (**) Term: **15 Years**
- (21) Appl. No.: **29/694,703**
- (22) Filed: **Jun. 12, 2019**
- (51) **LOC (13) Cl.** **08-07**
- (52) **U.S. Cl.**
USPC **D8/331; D8/330**
- (58) **Field of Classification Search**
USPC D8/232-330, 330-334, 336-350;
292/341, 341.1, 340, 344, 343, 18, 201,
292/216, 332, 335, 428, 163, 319, 317,
292/307 R, 307 A, 320, 327; 70/279.1,
70/277
CPC .. G09F 3/0311; G09F 2003/0208; G09F 3/03;
Y10T 292/494; Y10T 292/1082; Y10T
70/65; Y10T 292/0969; E05B 81/06;
E05B 77/26; E05B 81/34; E05B 83/36;
E05B 79/04; E05B 15/1635; E05B 85/24;
E05B 35/00; E05B 65/0811; E05B
63/0065; E05B 47/0012; E05Y 2900/531;
B66B 3/002; E05C 1/04; B64C 1/00;
B64C 1/14; B64F 5/00
See application file for complete search history.

- (56) **References Cited**
U.S. PATENT DOCUMENTS
D33,666 S * 12/1900 Boettcher D21/707
D39,604 S * 10/1908 Ryan D21/707
2,760,710 A * 8/1956 Fritz B65D 5/665
229/158

- 2,944,539 A * 7/1960 Wheeler F41B 5/0005
124/22
- 3,109,051 A * 10/1963 Vogel H01R 4/22
174/87
- 4,534,352 A * 8/1985 Korthoff A61B 17/0643
606/220

(Continued)

FOREIGN PATENT DOCUMENTS

- CN 305208065 * 8/2018
- CN 305234784 * 2/2019

(Continued)

OTHER PUBLICATIONS

Margreiter Technik, Security Seal Drum S, [online]retrieved Nov. 17, 2020, available from internet, <https://www.margreiter-technik.com/> (Year: 2020).*

(Continued)

Primary Examiner — Keli L Hill
Assistant Examiner — Sara S Sahneh
(74) *Attorney, Agent, or Firm* — Quickpatents, LLC;
Kevin Prince

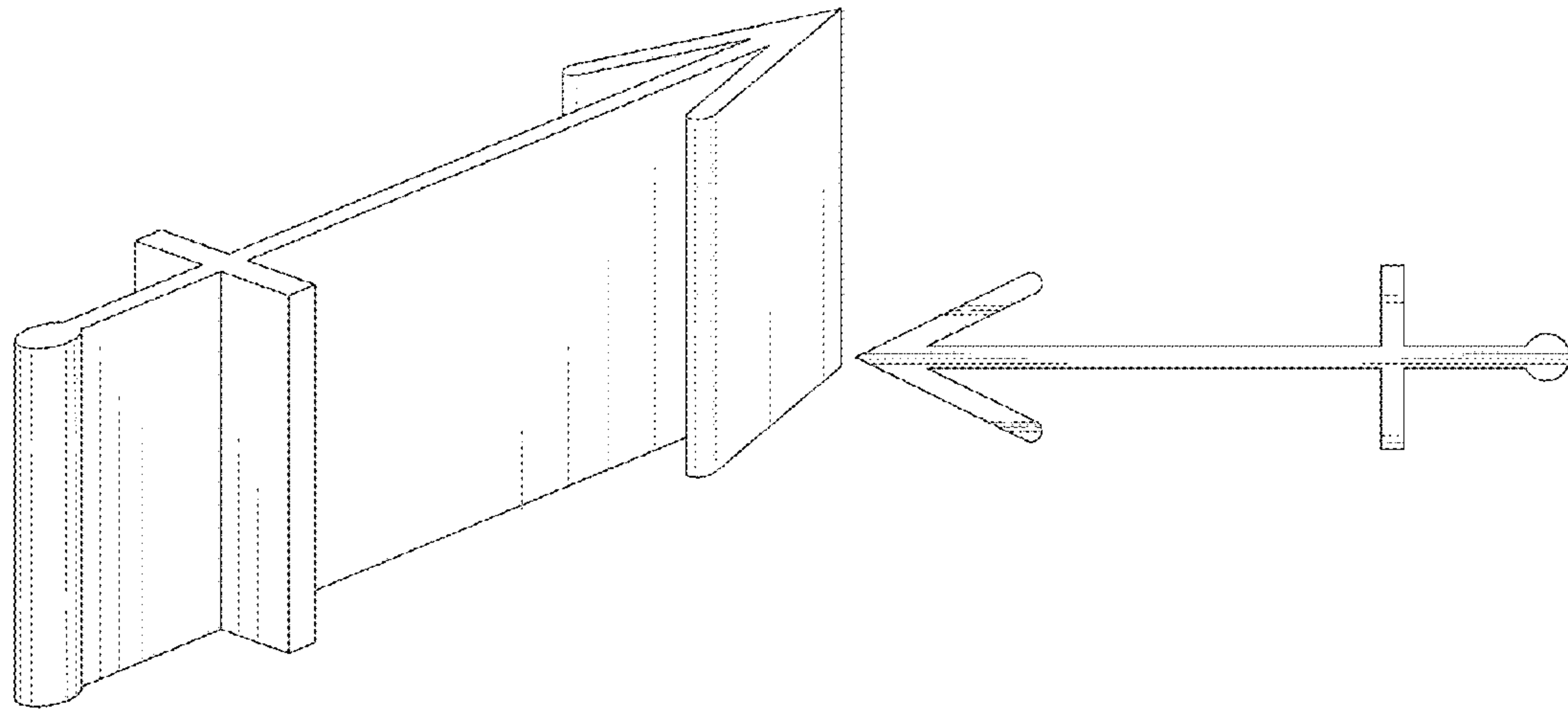
(57) **CLAIM**

The ornamental design for a tamper-evident box lock, as shown and described.

DESCRIPTION

FIG. 1 is a perspective view of a tamper-evident box lock, showing my new design;
FIG. 2 is an enlarged perspective view thereof;
FIG. 3 is a top plan view thereof, the bottom plan view being a mirror image thereof;
FIG. 4 is a left-side elevational view thereof, the right-side elevational view being a mirror image thereof;
FIG. 5 is a front elevational view thereof; and,
FIG. 6 is a rear elevational view thereof.

(Continued)



The broken lines showing a pizza box in FIG. 1 depict environmental matter and form no part of the claimed design.

1 Claim, 3 Drawing Sheets

9,844,377 B2* 12/2017 Peterson A61B 17/08
 D808,478 S * 1/2018 Stewart D21/712
 2007/0088277 A1* 4/2007 McGinley A61B 17/3462
 604/167.01
 2012/0305634 A1* 12/2012 VonAlst B65D 85/36
 229/146
 2019/0119005 A1* 4/2019 Taratuta B65D 33/1675

(56)

References Cited

U.S. PATENT DOCUMENTS

4,832,557 A * 5/1989 Jacobsen E02D 17/20
 405/19
 4,994,073 A * 2/1991 Green A61B 17/064
 411/457
 5,058,315 A * 10/1991 Wagner A01G 20/30
 47/1.01 R
 5,211,722 A * 5/1993 Wagner A01G 20/30
 47/58.1 R
 5,937,840 A * 8/1999 Winton F41B 5/0005
 124/24.1
 6,817,818 B2* 11/2004 Farrell F16B 15/0015
 411/450
 D594,797 S * 6/2009 Lee D12/190
 D709,350 S * 7/2014 Mason D8/331

FOREIGN PATENT DOCUMENTS

GB 2034509 * 10/1993
 GB 2045690 * 2/1995
 IN 241094-0001 * 11/2011
 IN 317980-001-0001 * 5/2019
 WO D090739-003 * 3/2016

OTHER PUBLICATIONS

ELC Security Products, Anchor ATM Molded Seals 5-1/2"x5/64", Green, Pk250, Date first available Jul. 13, 2020, [online] retrieved Nov. 17, 2020, available from internet, https://www.amazon.com/dp/B08B1PNNJZ/ref=sspa_dk_detail_4?psc=1&pd_rd_i=B08B1PNNJZ&pd_rd_w=hGMa6&pf_rd_p=7d37a48b-2b1a-4373-8c1a (Year: 2020).*

* cited by examiner

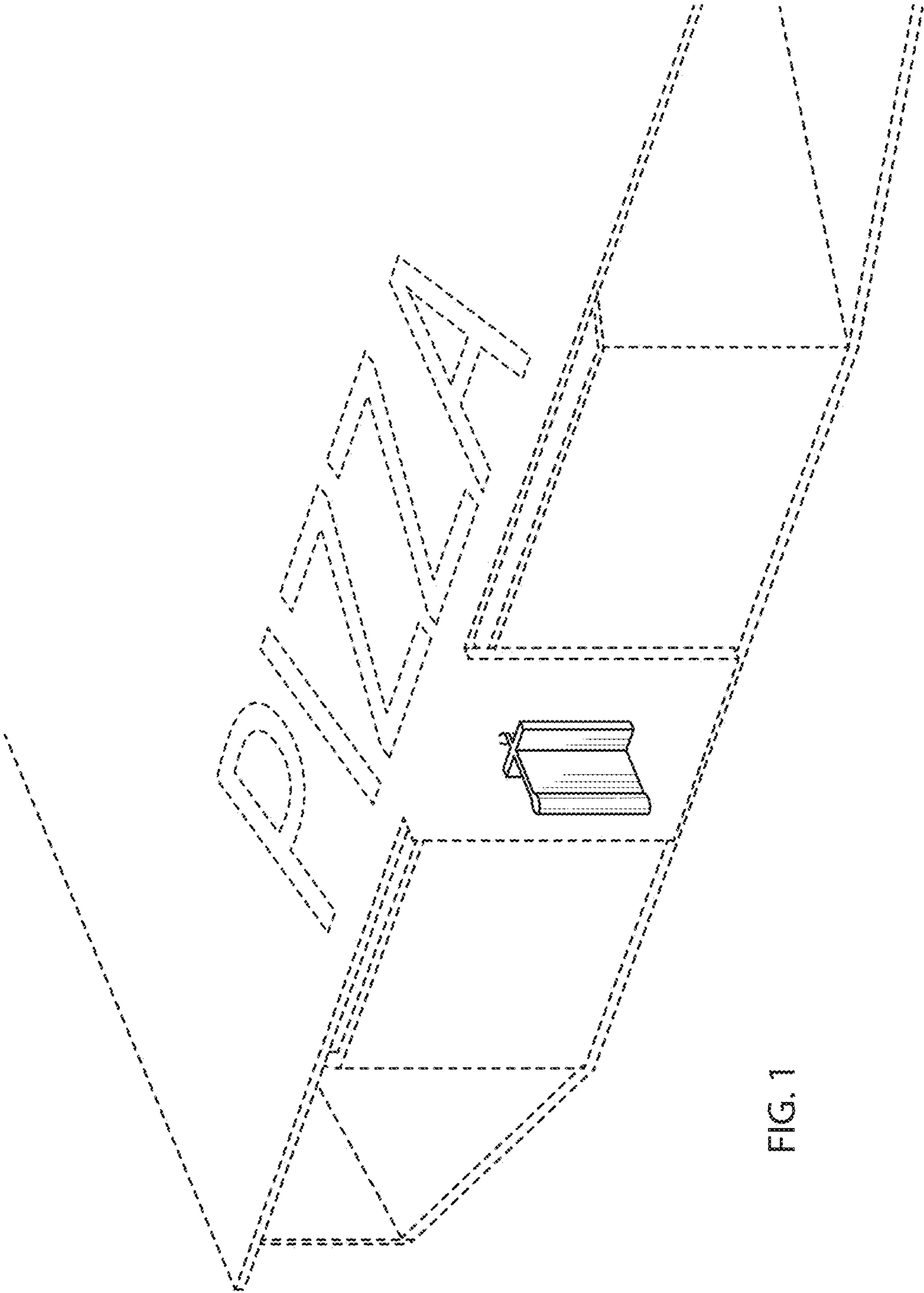


FIG. 1

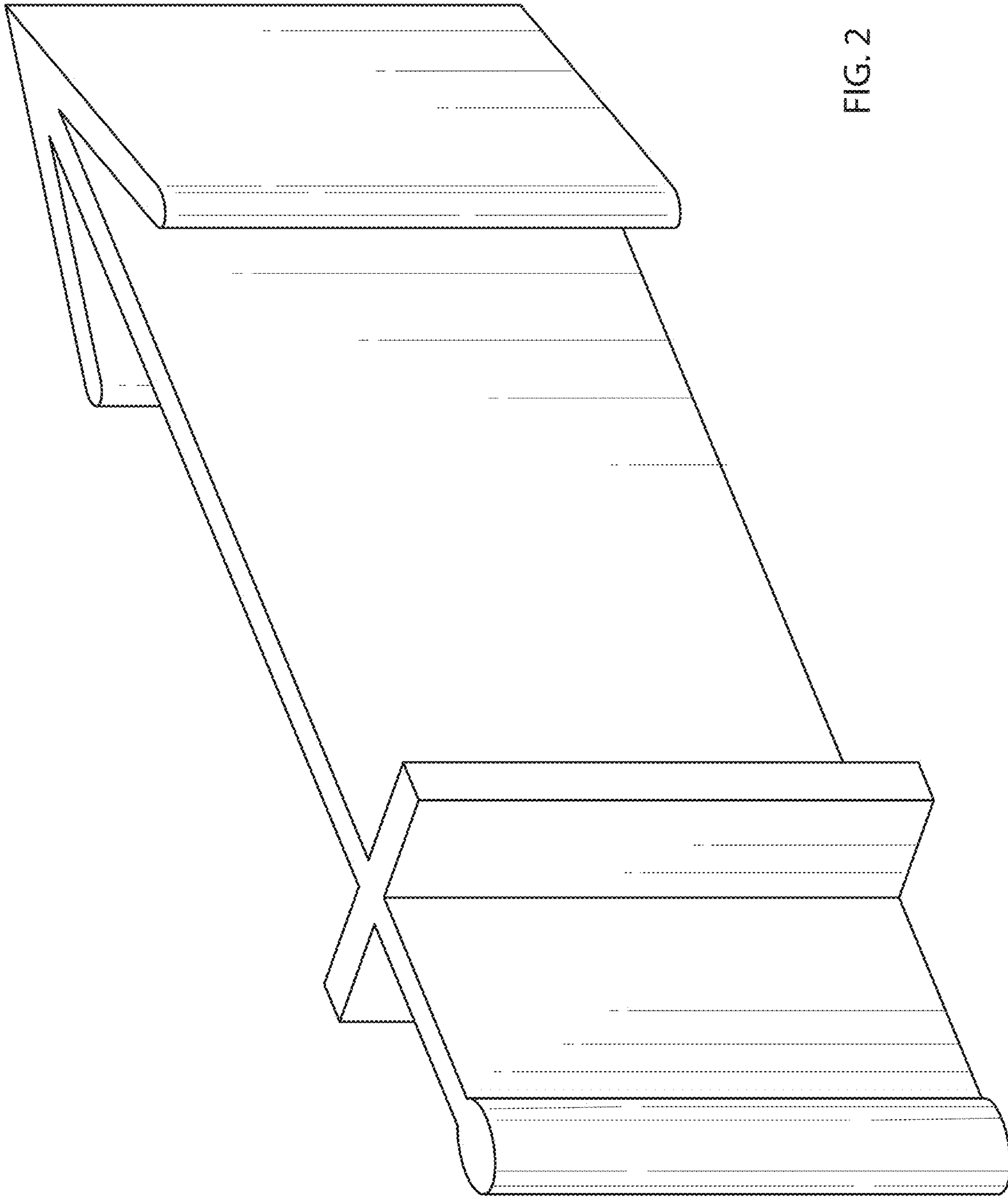


FIG. 2

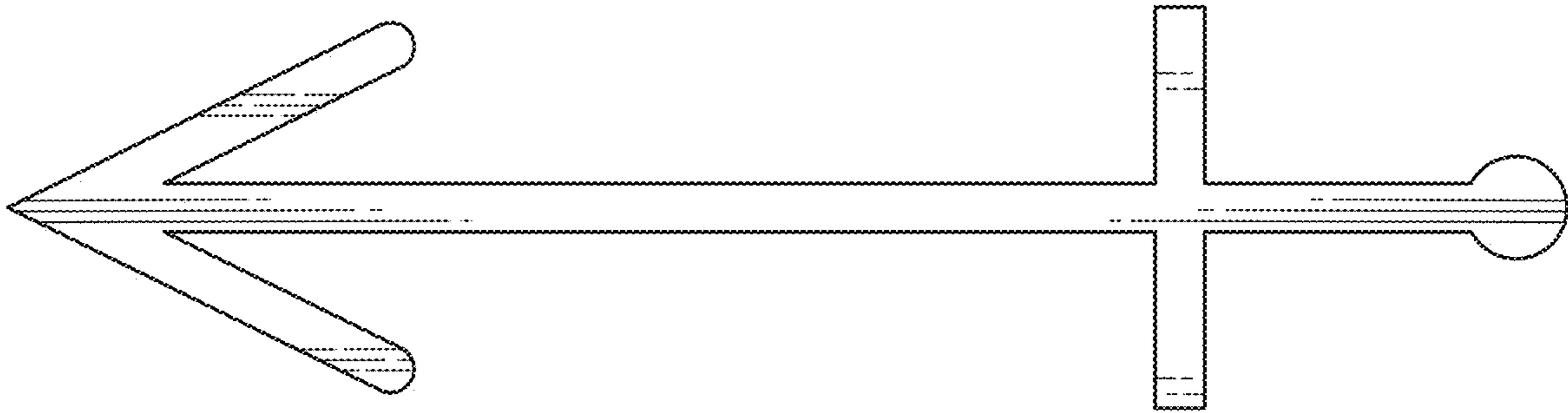


FIG. 3

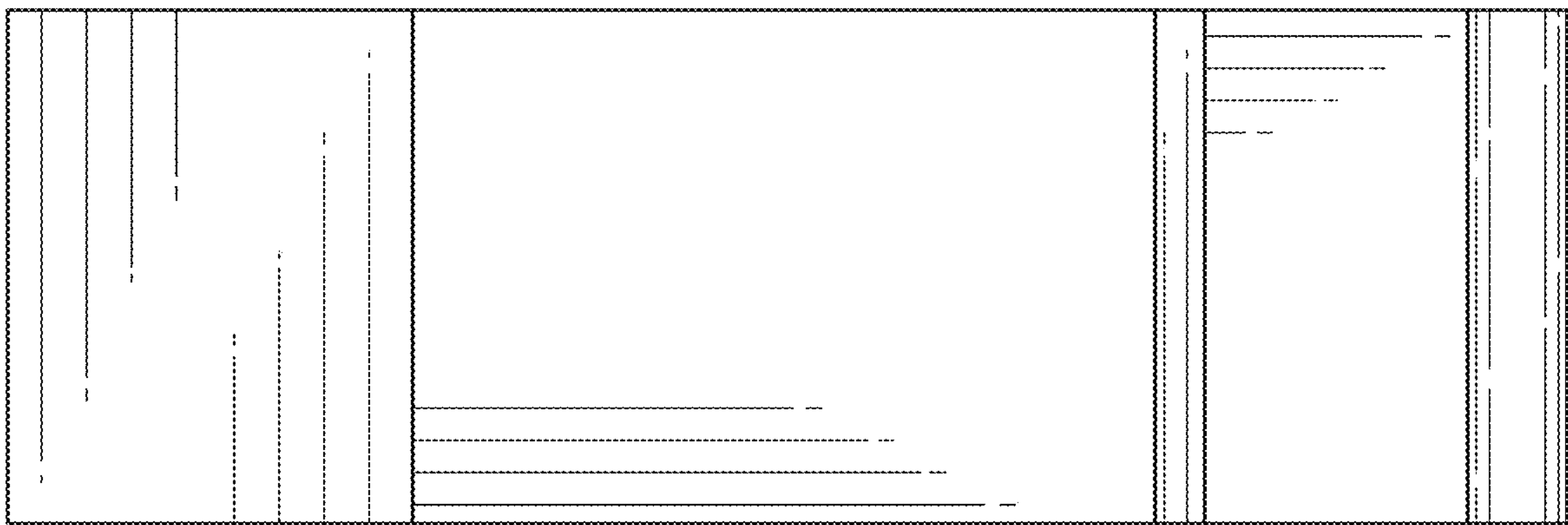


FIG. 4

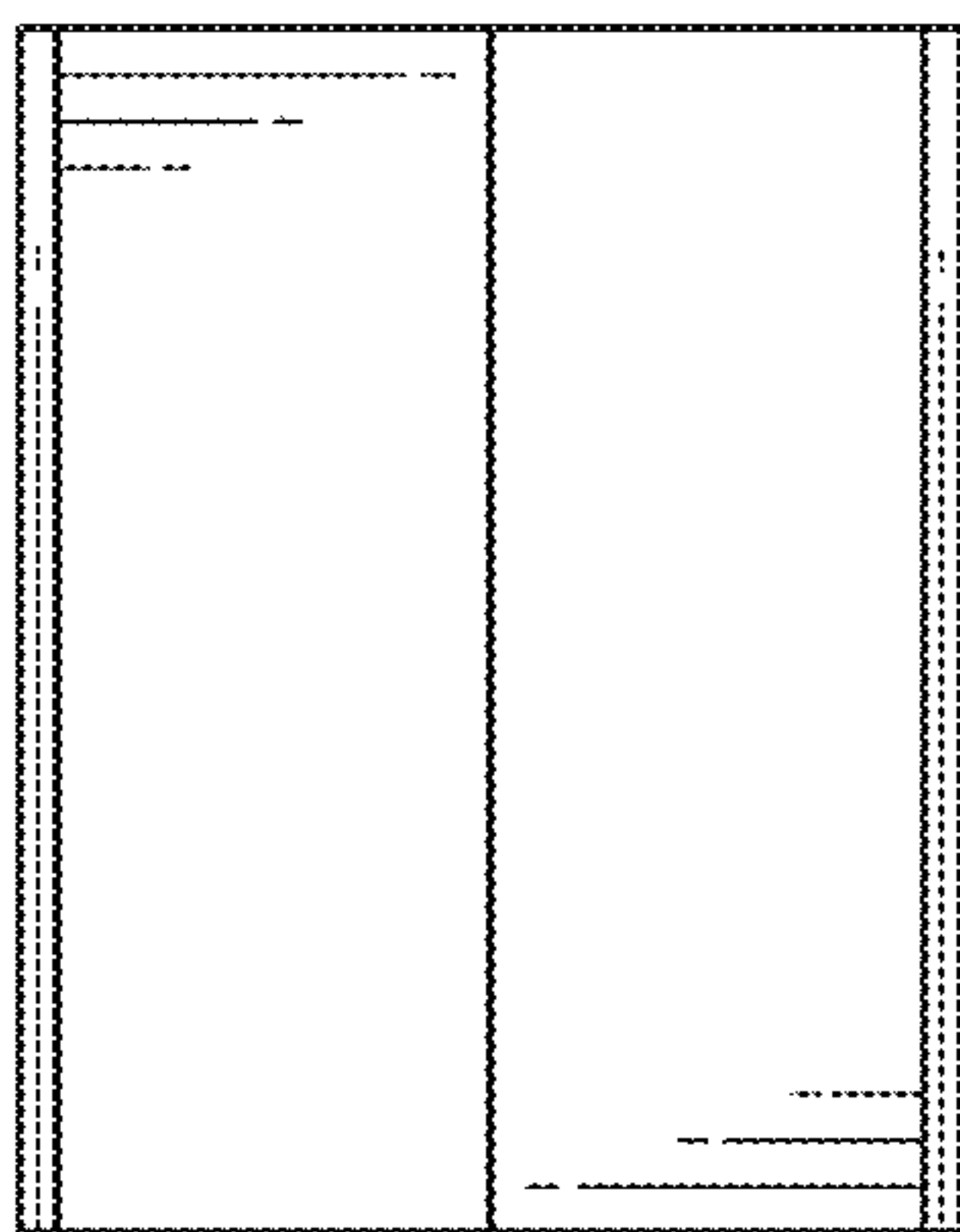


FIG. 5

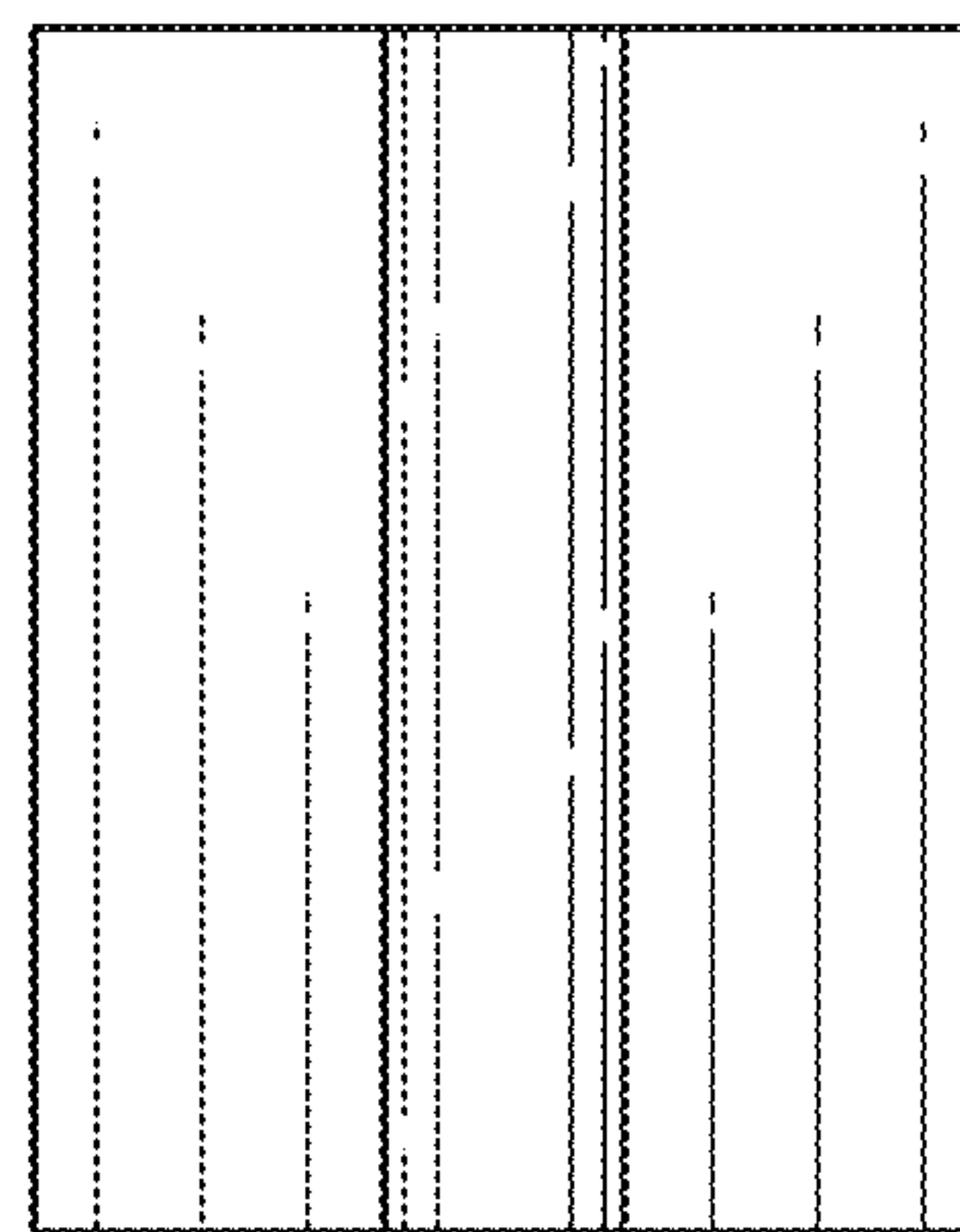


FIG. 6