



US00D913770S

(12) **United States Design Patent** (10) **Patent No.:** **US D913,770 S**
Kenny (45) **Date of Patent:** **** Mar. 23, 2021**

(54) **HANDLE**
(71) Applicant: **CAVITY SLIDERS LIMITED,**
Auckland (NZ)
(72) Inventor: **Philip Richard Kenny,** Auckland (NZ)
(73) Assignee: **CAVITY SLIDERS LIMITED,**
Auckland (NZ)
(**) Term: **15 Years**

D626,815 S * 11/2010 Liang D8/301
D634,175 S * 3/2011 Liang D8/301
D678,032 S * 3/2013 Coplan D8/301
8,491,022 B2 * 7/2013 Liebel E05B 65/0858
292/336.3
8,870,250 B2 10/2014 Liebel et al.
10,036,185 B2 * 7/2018 Kenny E05B 15/006
2003/0141725 A1 * 7/2003 Tsai E05B 1/0015
292/357
2010/0327612 A1 * 12/2010 Liebel E05B 1/00
292/336.3
2016/0369540 A1 12/2016 Kenny et al.

(21) Appl. No.: **29/632,838**

FOREIGN PATENT DOCUMENTS

(22) Filed: **Jan. 10, 2018**

CA 2463401 5/2005

(30) **Foreign Application Priority Data**

* cited by examiner

Jul. 13, 2017 (NZ) 423284
Jul. 13, 2017 (NZ) 423287

Primary Examiner — Keli L Hill
Assistant Examiner — Harold E Blackwell, II
(74) *Attorney, Agent, or Firm* — Dann, Dorfman, Herrell
and Skillman, P.C.

(51) **LOC (13) Cl.** **08-06**

(52) **U.S. Cl.**
USPC **D8/315**

(57) **CLAIM**

(58) **Field of Classification Search**
USPC D8/315, 316, 317, 318, 319, 320
CPC E05B 1/0015; Y10T 292/91
See application file for complete search history.

The ornamental design for a handle, as shown and described.

DESCRIPTION

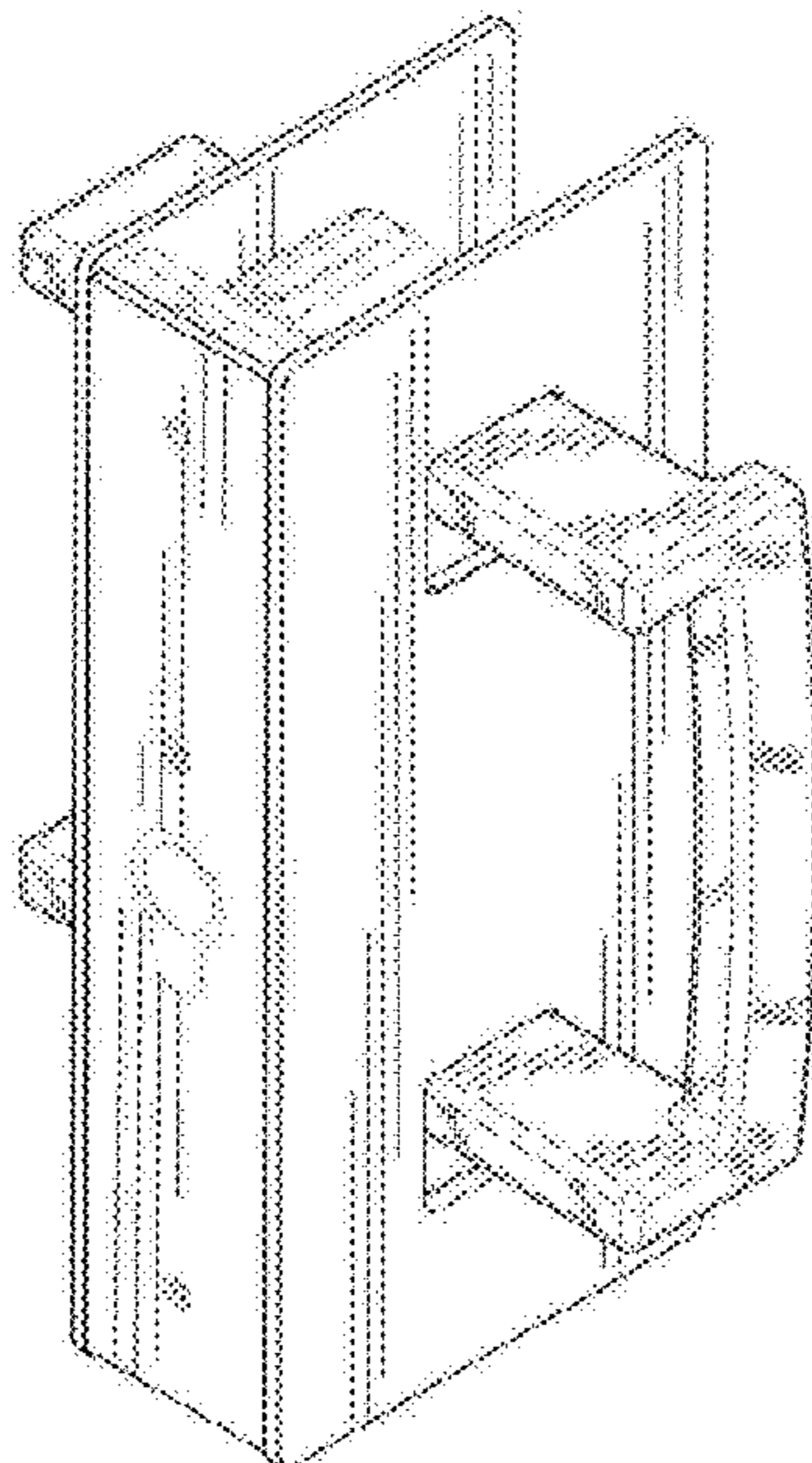
(56) **References Cited**

FIG. 1 is a top, front, right side perspective view of a handle embodying the design;
FIG. 2 is a front view thereof;
FIG. 3 is a left-side view thereof;
FIG. 4 is a right-side view thereof;
FIG. 5 is a rear view thereof;
FIG. 6 is a top view thereof; and,
FIG. 7 is a bottom view thereof.
The broken line showing of the handle is for the purpose of illustrating portions of the handle and forms no part of the claimed design.

U.S. PATENT DOCUMENTS

1,766,193 A 6/1930 Schmitz et al.
D110,214 S * 6/1938 Hazenberg D8/319
D188,040 S * 5/1960 Henshaw D8/319
5,511,833 A 4/1996 Tashman et al.
D384,266 S * 9/1997 Mantarakis D8/301
D389,722 S * 1/1998 Blom D8/319
D417,831 S * 12/1999 Libby D8/319
D423,321 S * 4/2000 Maier D8/302
D467,784 S * 12/2002 Maier D8/301
D546,160 S * 7/2007 Reithmeyer D8/301

1 Claim, 5 Drawing Sheets



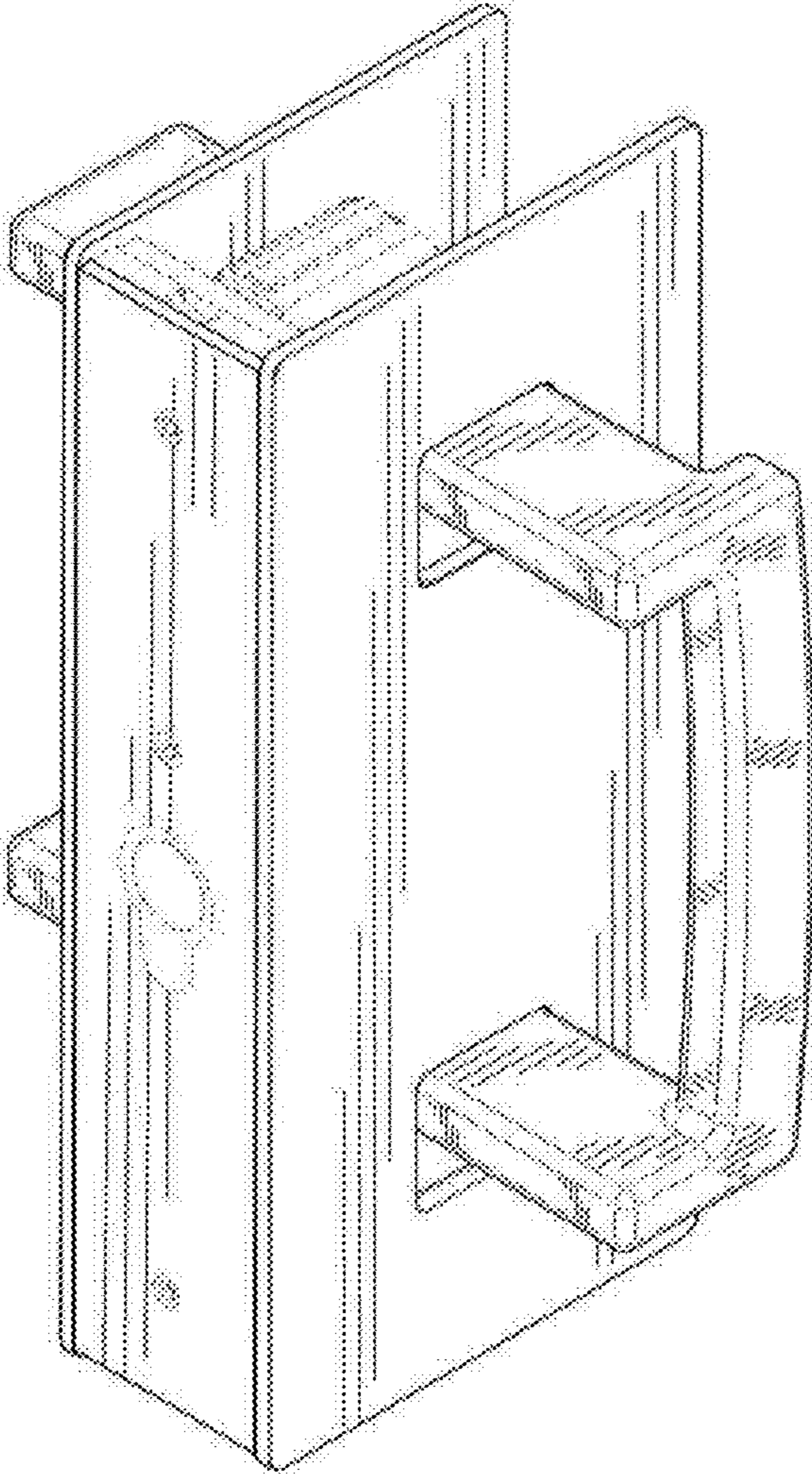


FIG. 1

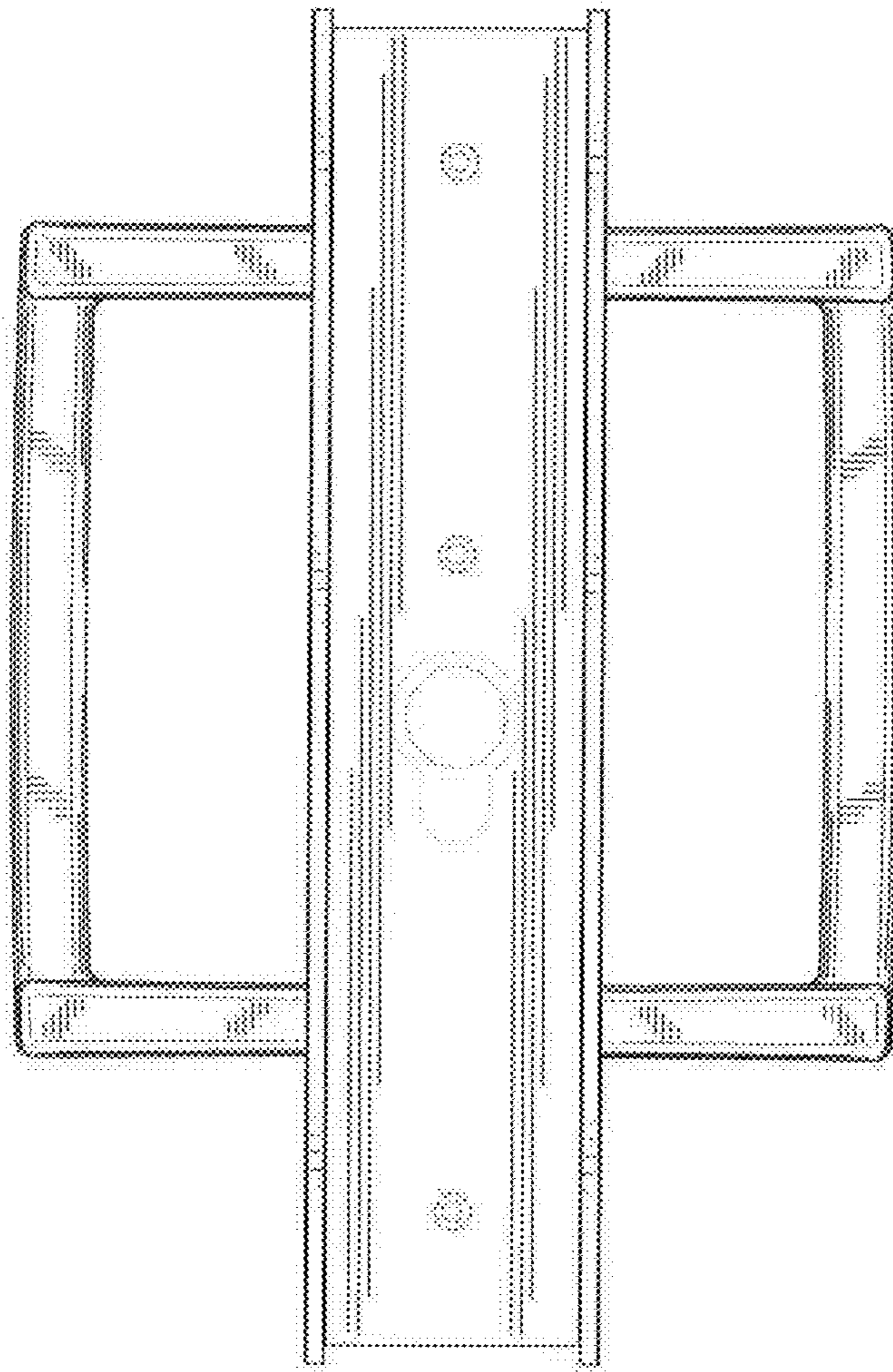


FIG. 2

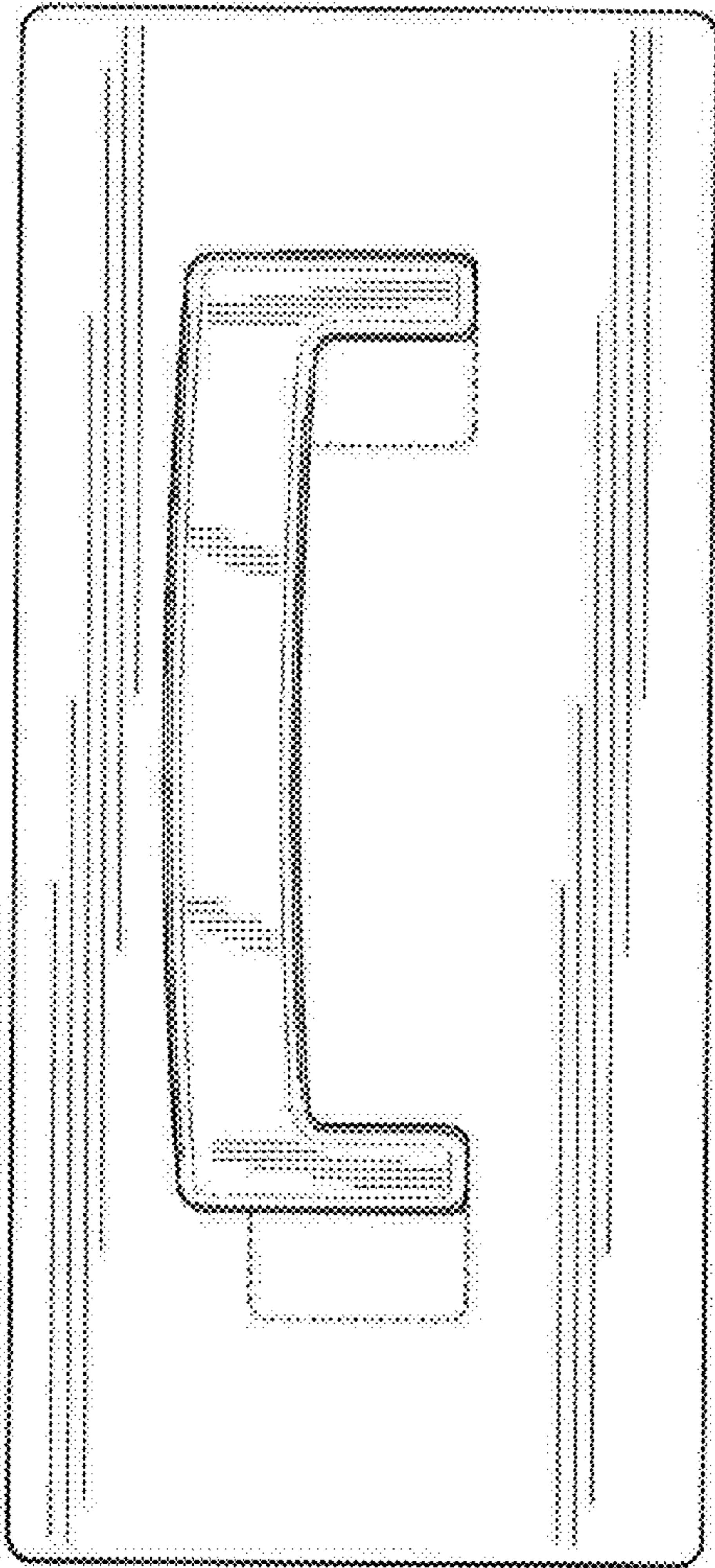


FIG. 3

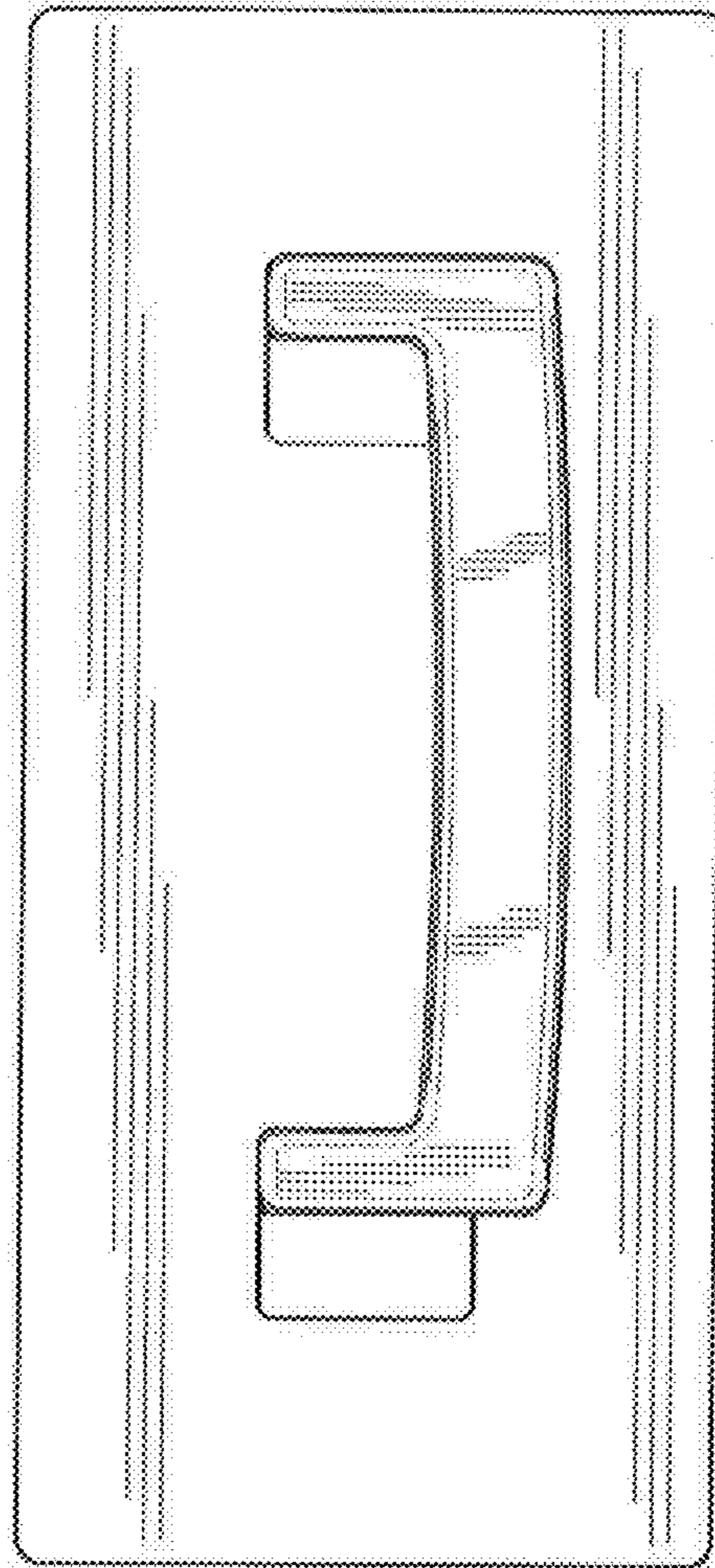


FIG. 4

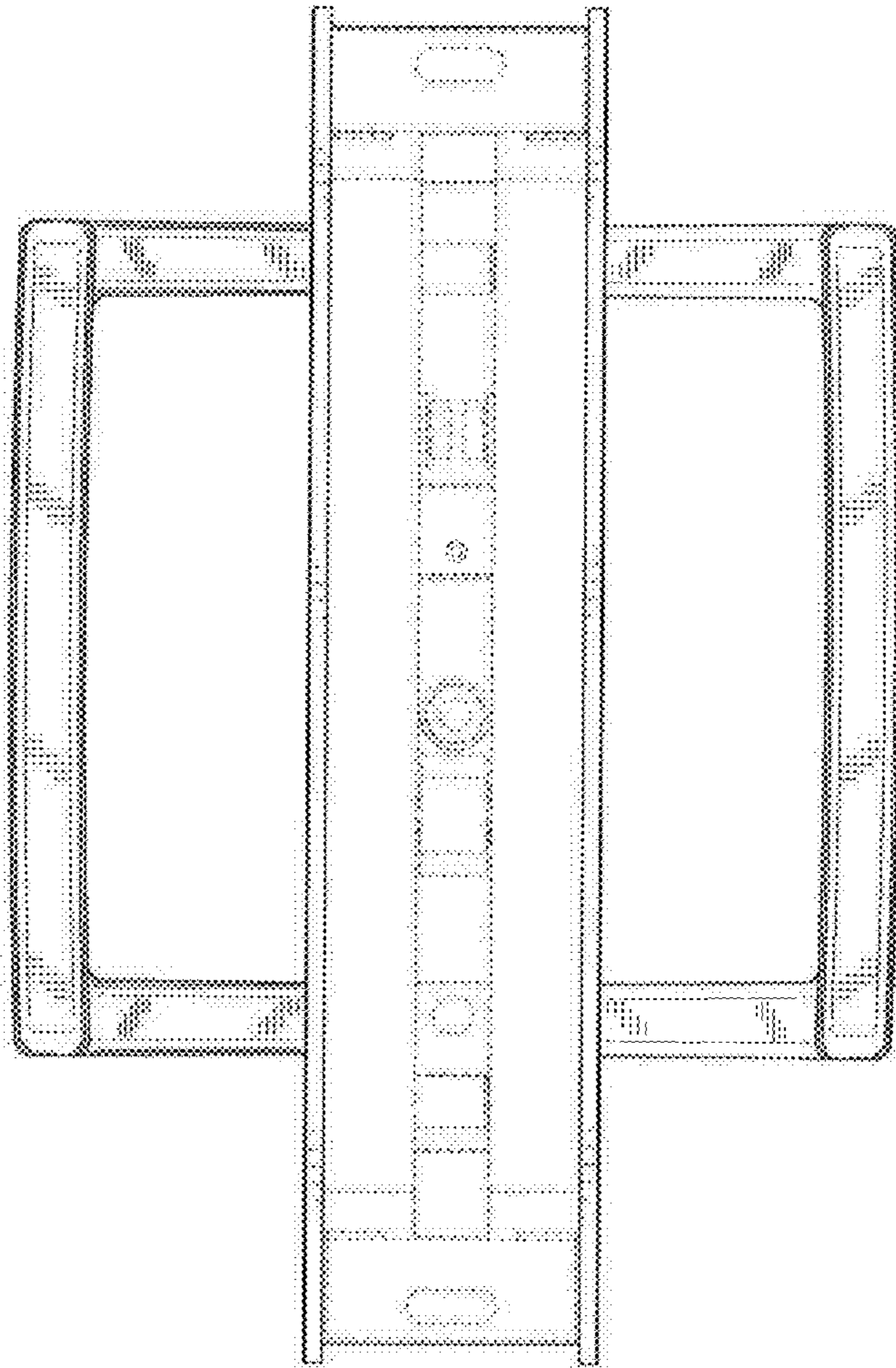


FIG. 5

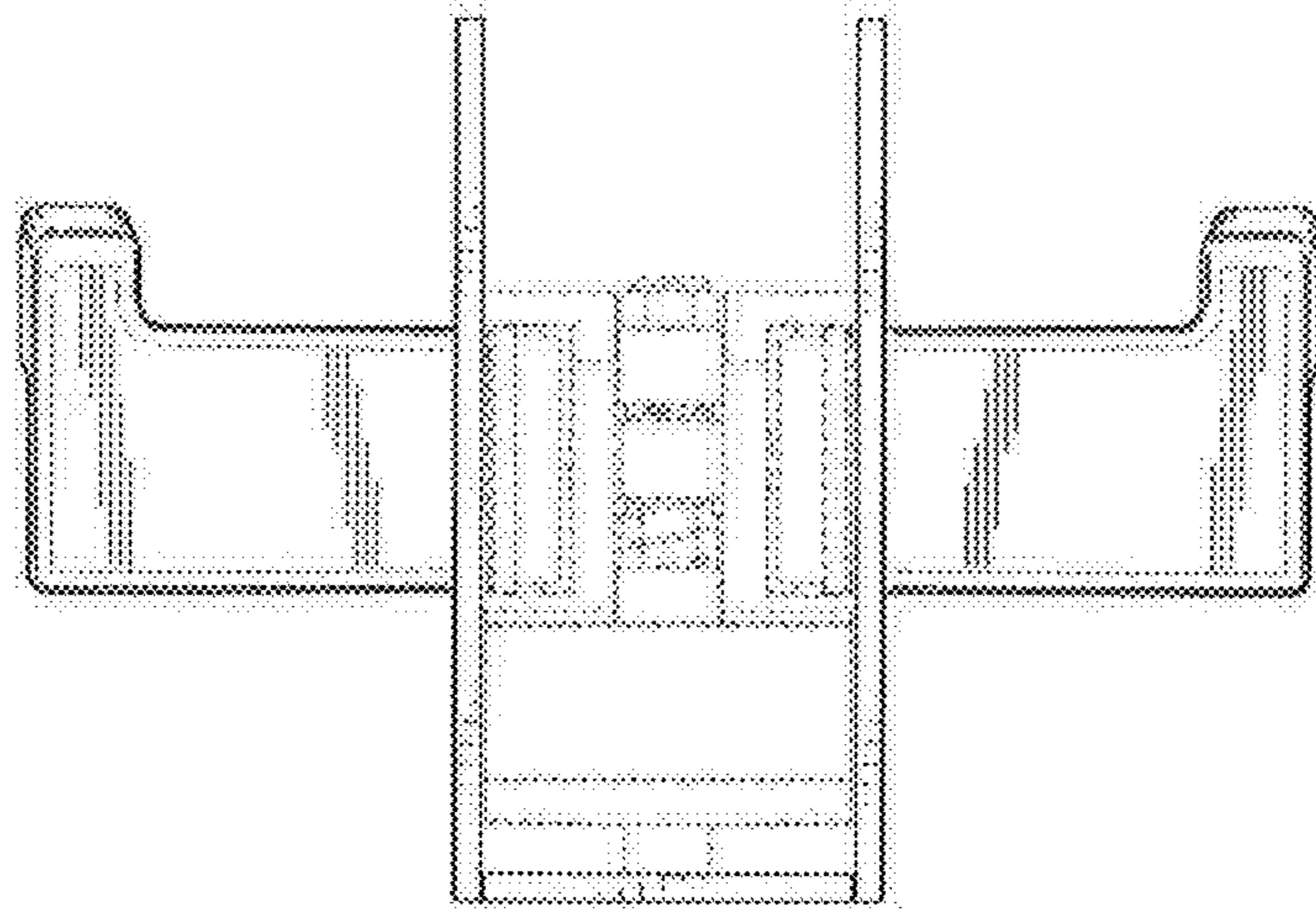


FIG. 6

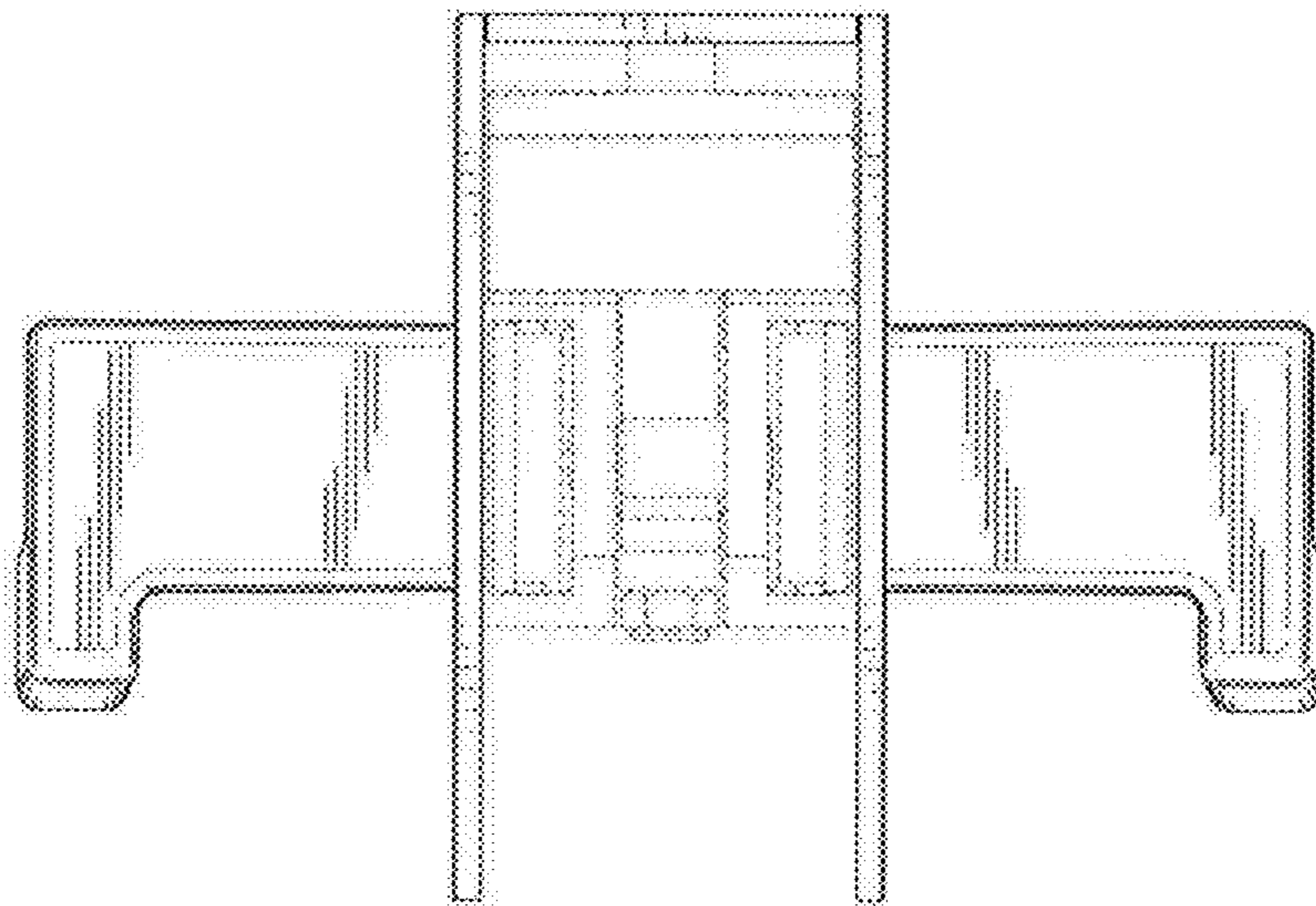


FIG. 7