



US00D913766S

(12) **United States Design Patent**
Nakamura et al.

(10) **Patent No.:** **US D913,766 S**
(45) **Date of Patent:** **** Mar. 23, 2021**

- (54) **ELECTRIC RATCHET WRENCH**
- (71) Applicant: **MAKITA CORPORATION**, Anjo (JP)
- (72) Inventors: **Kento Nakamura**, Anjo (JP); **Ding Zhao**, Anjo (JP)
- (73) Assignee: **MAKITA CORPORATION**, Anjo (JP)
- (**) Term: **15 Years**
- (21) Appl. No.: **29/700,886**
- (22) Filed: **Aug. 6, 2019**
- (30) **Foreign Application Priority Data**

Feb. 8, 2019 (JP) 2019-002574

- (51) **LOC (13) Cl.** **08-01**
- (52) **U.S. Cl.**
USPC **D8/62**
- (58) **Field of Classification Search**
USPC D8/61, 62, 67, 69; 81/57, 57.11, 57.14,
81/57.26, 429, 464, 469; 173/2, 170,
173/176, 181
CPC B25B 21/00; F16D 41/206; B25F 5/001
See application file for complete search history.

(56) **References Cited**

U.S. PATENT DOCUMENTS

D323,961 S *	2/1992	Fushiya	D8/61
D352,645 S	11/1994	Ichikawa		
D414,093 S *	9/1999	Zurwelle	D8/61
D447,029 S *	8/2001	Sun	D8/61
6,929,074 B1 *	8/2005	Lai	B25B 21/00 173/178
D527,592 S *	9/2006	Hayakawa	D8/61
D529,353 S *	10/2006	Wong	D8/61
D580,247 S *	11/2008	Taniguchi	D8/61
D580,248 S *	11/2008	Rane	D8/61

D587,080 S *	2/2009	Rane	D8/61
D624,380 S *	9/2010	Rane	D8/61
7,886,840 B2 *	2/2011	Young	F01D 15/06 173/168
D648,997 S *	11/2011	Allan	D8/61
D701,440 S *	3/2014	Naksen	D8/61

* cited by examiner

Primary Examiner — Austin Murphy

(74) *Attorney, Agent, or Firm* — Global IP Counselors, LLP

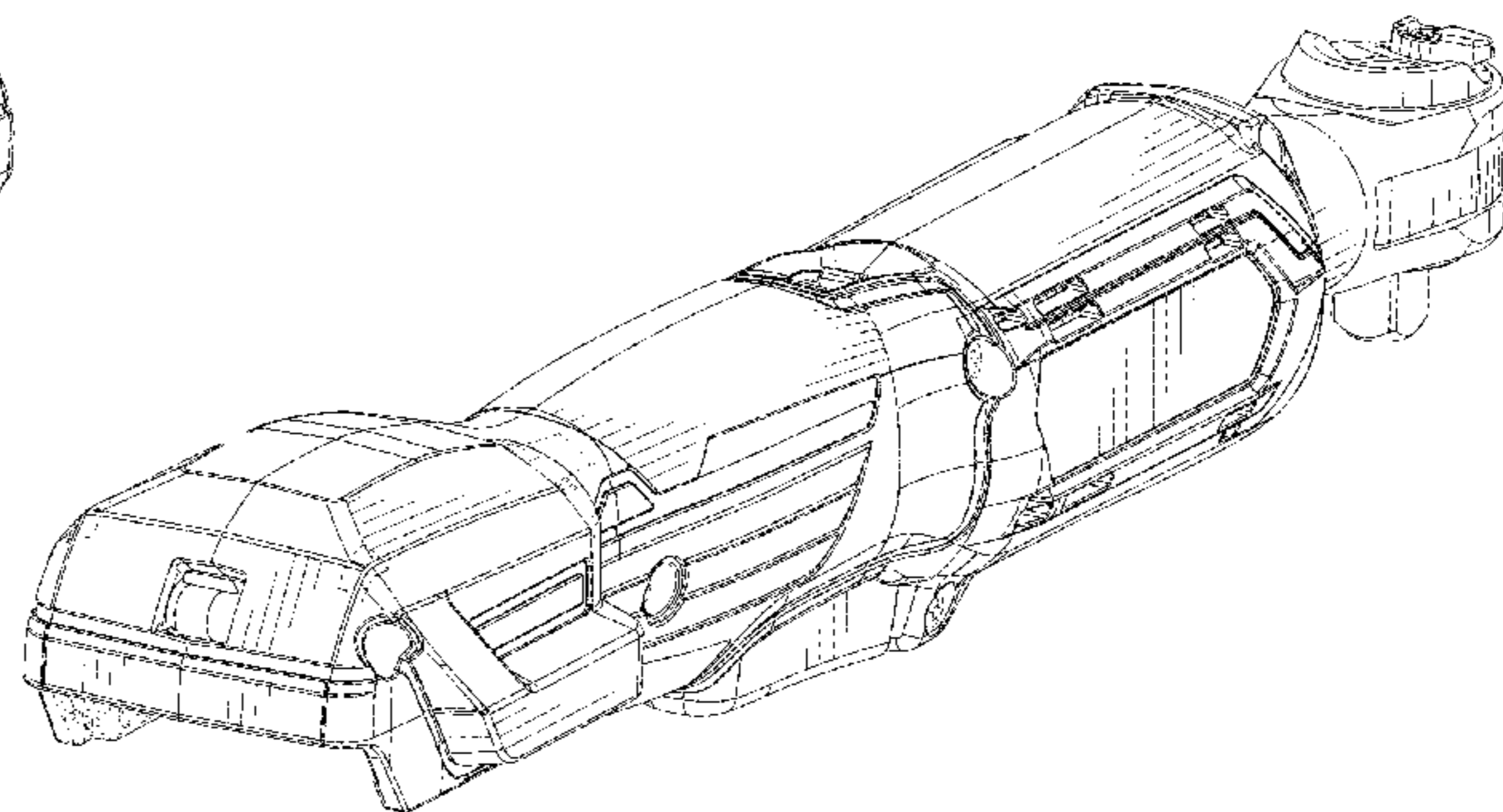
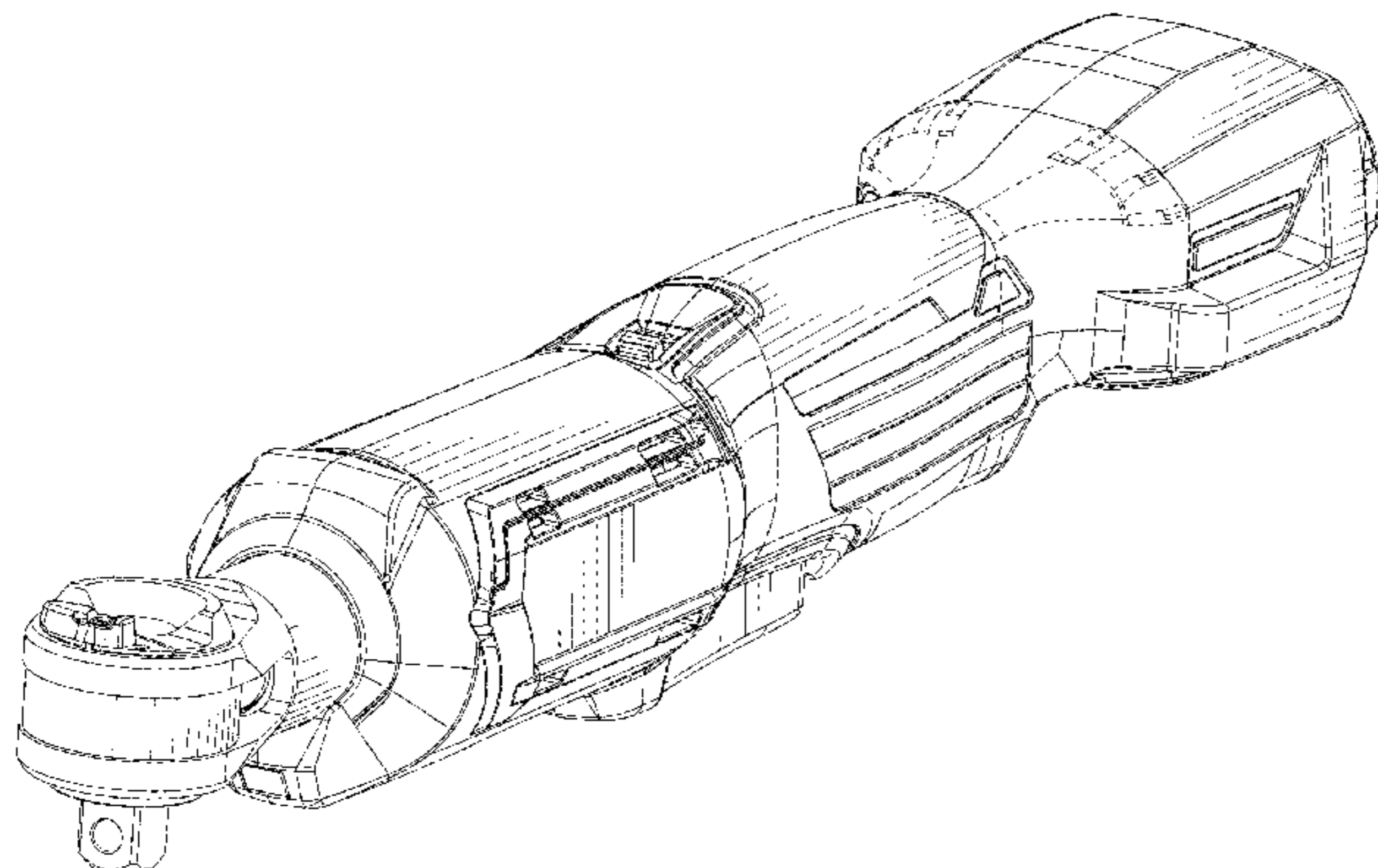
(57) **CLAIM**

The ornamental design for an electric ratchet wrench, as shown and described.

DESCRIPTION

FIG. 1 is a front perspective view of an electric ratchet wrench in accordance with our new design;
 FIG. 2 is a rear perspective view of the electric ratchet wrench in accordance with our new design;
 FIG. 3 is a front elevational view of the electric ratchet wrench in accordance with our new design;
 FIG. 4 is a rear elevational view of the electric ratchet wrench in accordance with our new design;
 FIG. 5 is a top plan view of the electric ratchet wrench in accordance with our new design;
 FIG. 6 is a bottom plan view of the electric ratchet wrench in accordance with our new design;
 FIG. 7 is a right side elevational view of the electric ratchet wrench in accordance with our new design;
 FIG. 8 is a left side elevational view, of the electric ratchet wrench in accordance with our new design; and,
 FIG. 9 is a front perspective view showing a state in which a battery is attached to the electric ratchet wrench in accordance with our new design.
 The broken line showing of environmental structures in the drawings forms no part of the claimed design.

1 Claim, 8 Drawing Sheets



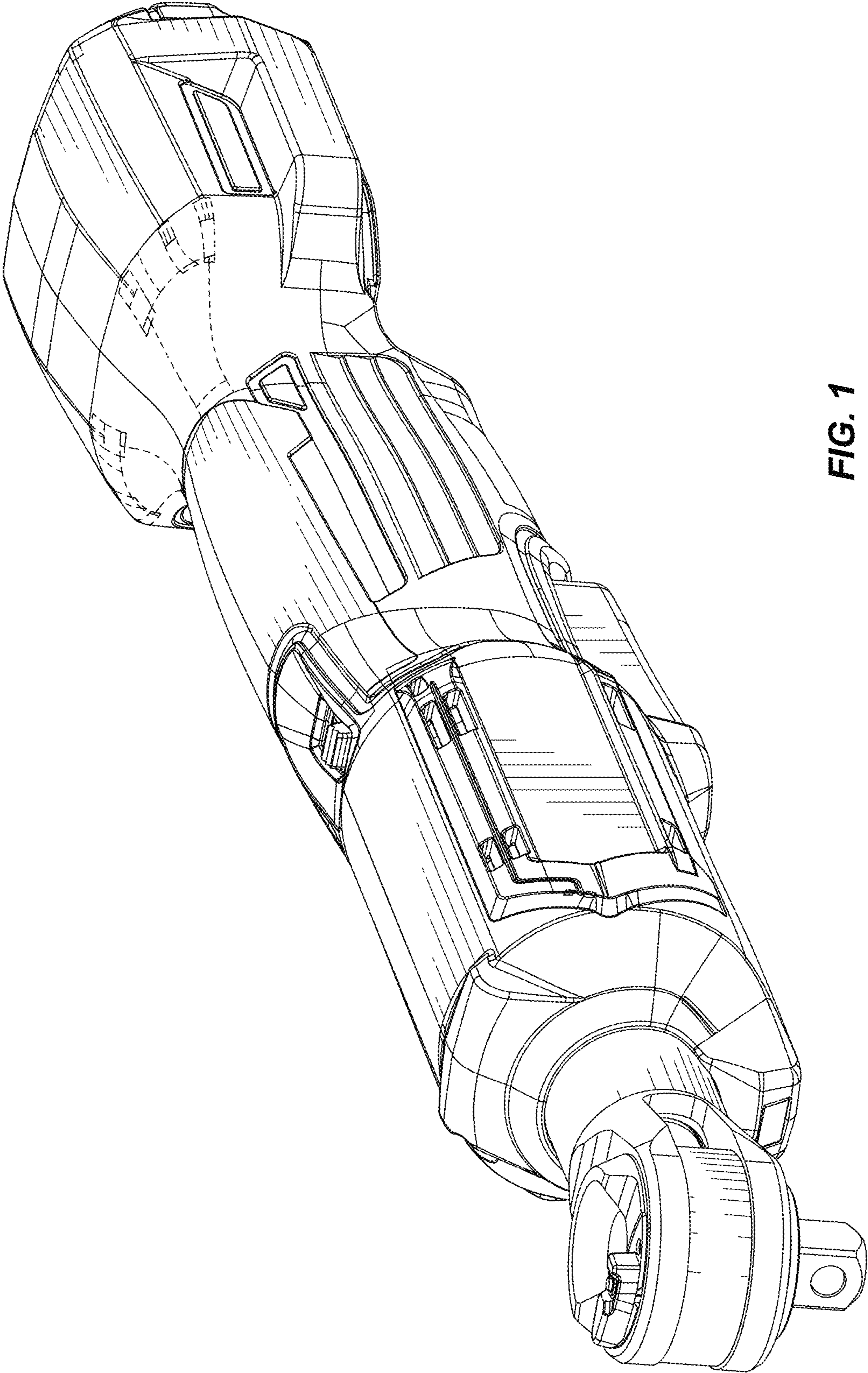


FIG. 1

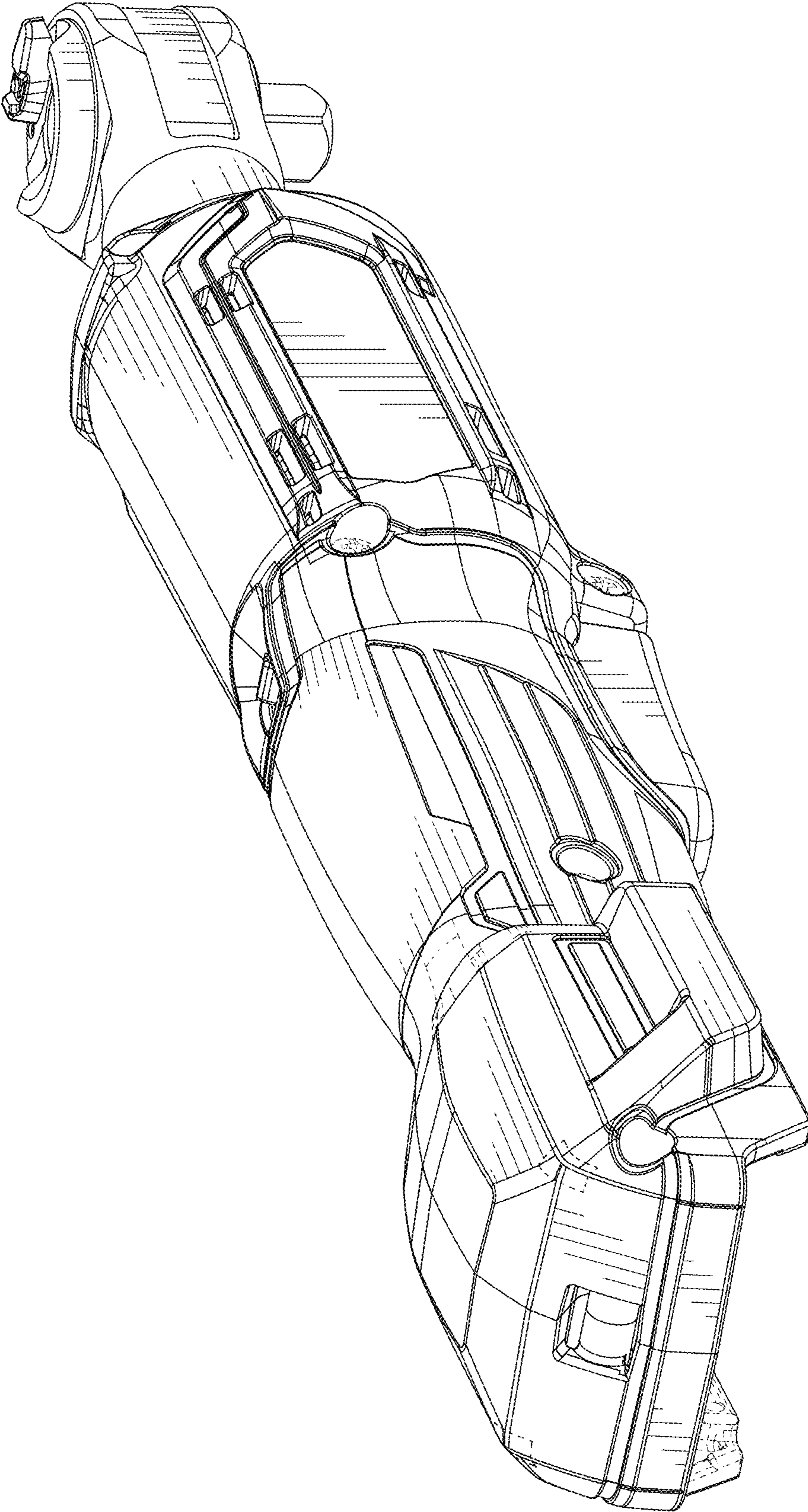


FIG. 2

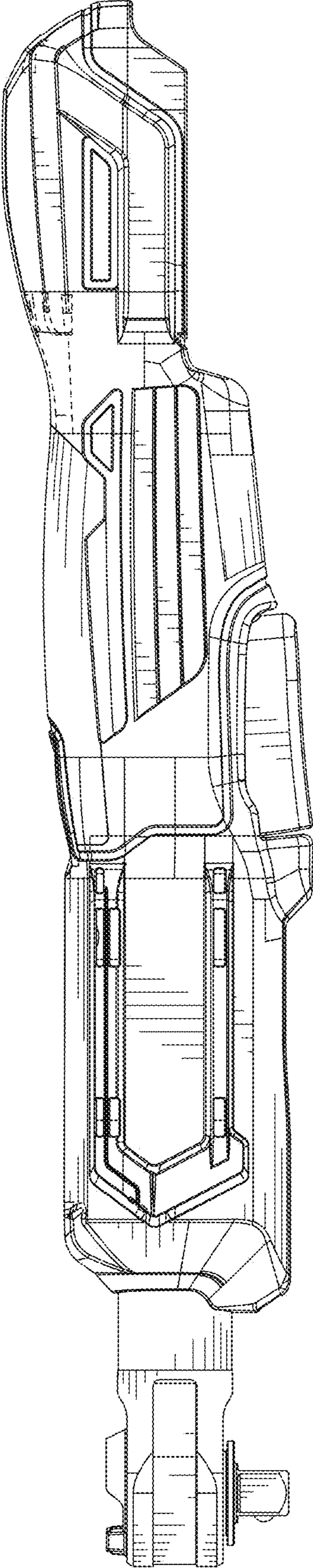


FIG. 3

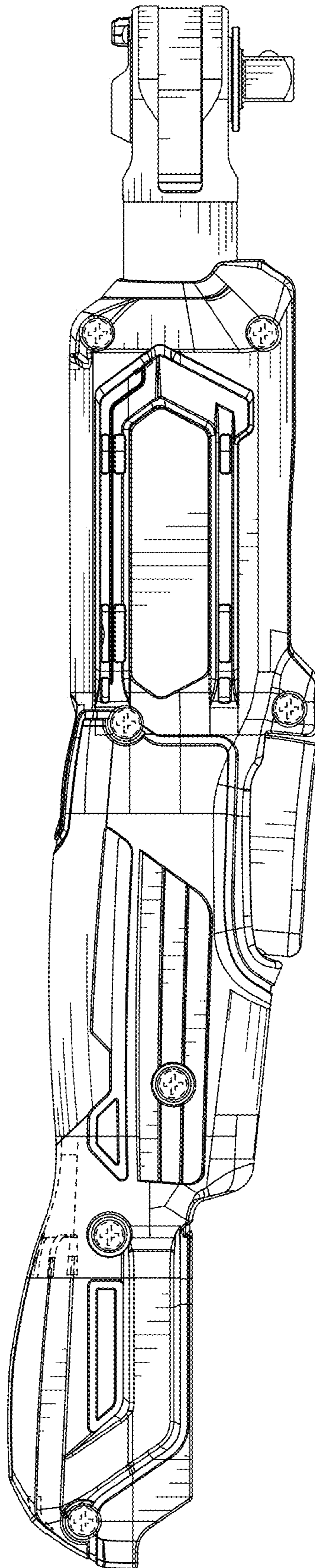


FIG. 4

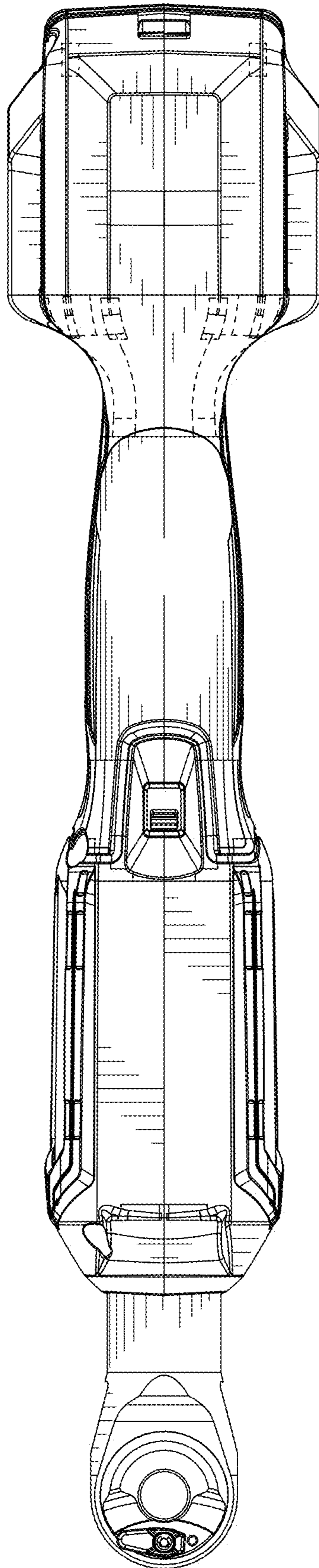


FIG. 5

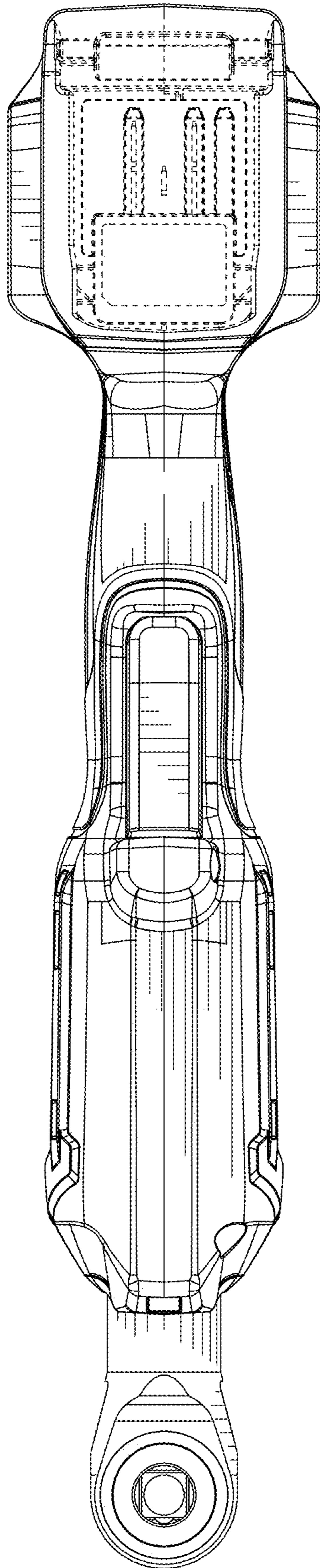


FIG. 6

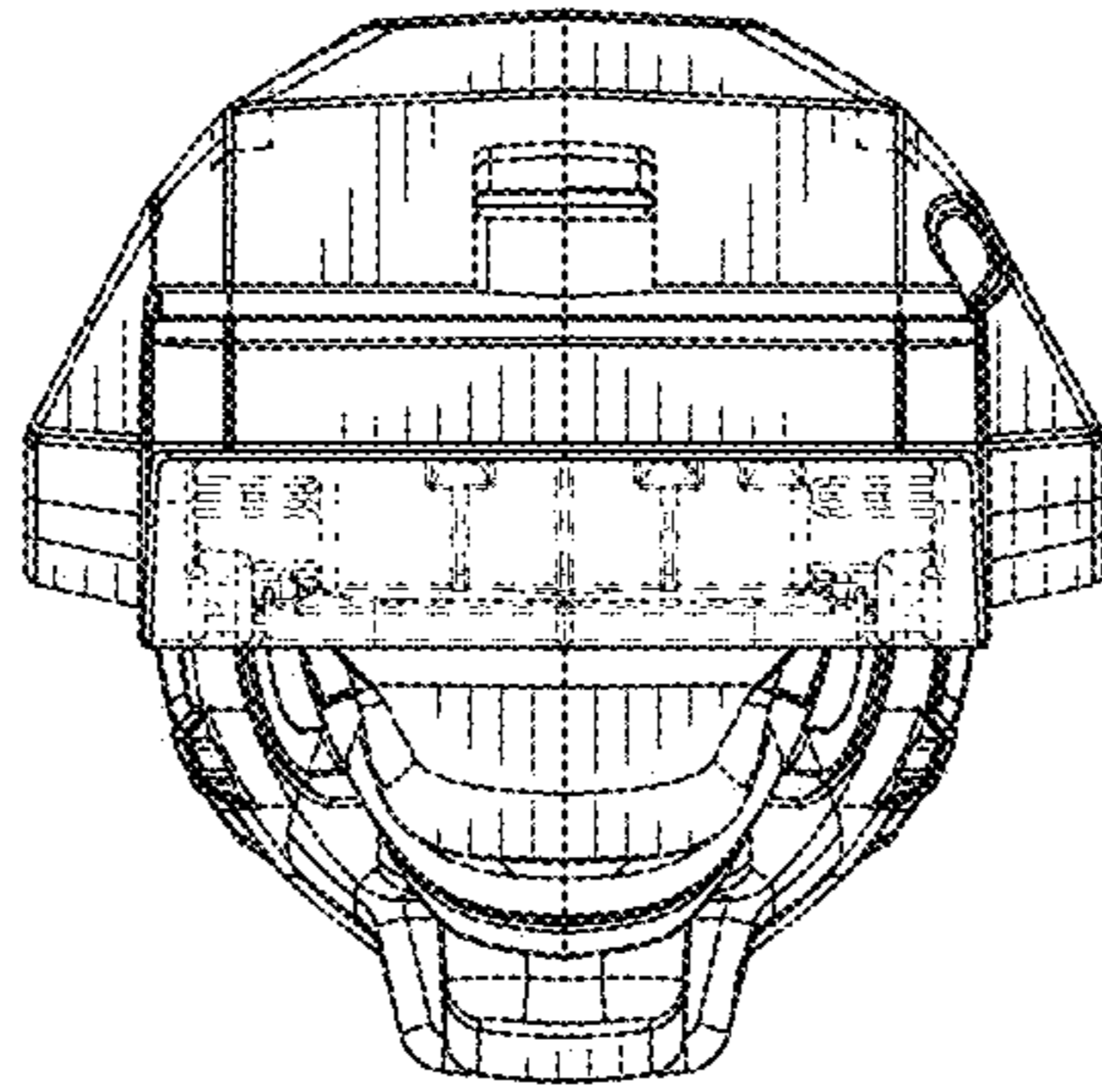


FIG. 7

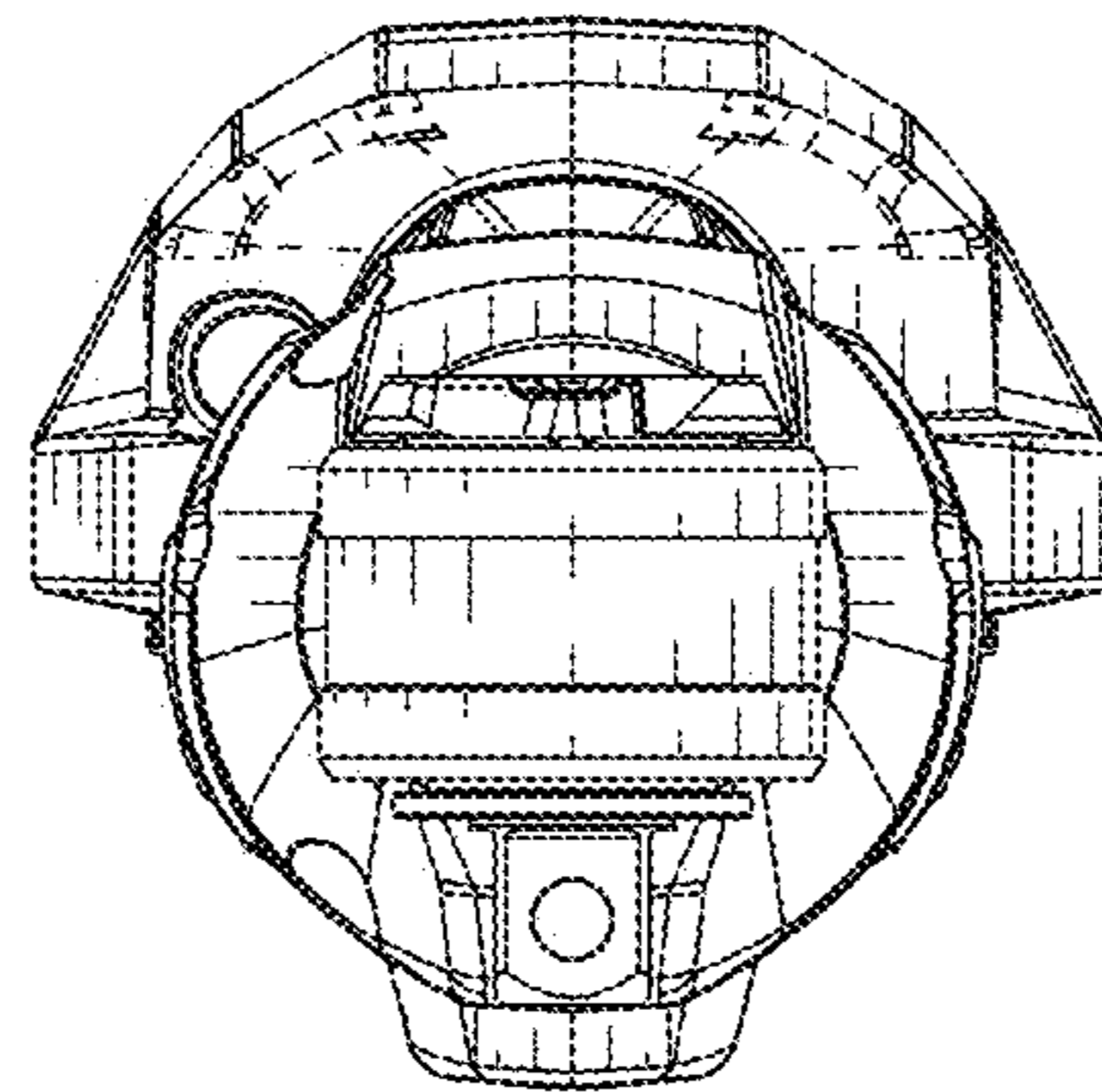


FIG. 8

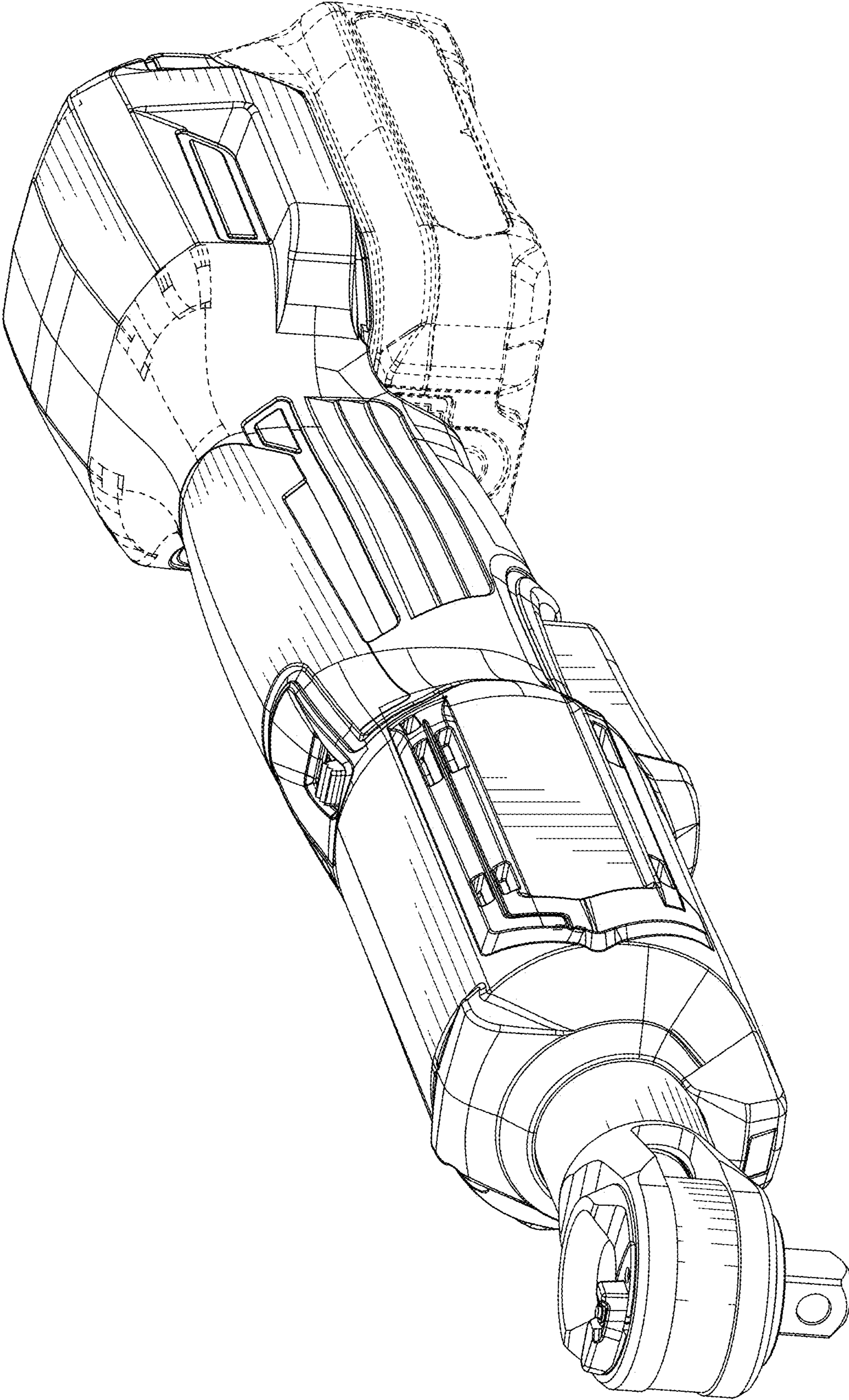


FIG. 9