



US00D913765S

(12) **United States Design Patent** (10) **Patent No.:** **US D913,765 S**  
**Beckwith et al.** (45) **Date of Patent:** **\*\* Mar. 23, 2021**

(54) **TORQUE WRENCH**

13/02; B25B 13/50; B25B 7/10; B25B 7/14;

(71) Applicant: **APEX BRANDS, INC.**, Apex, NC  
(US)

(Continued)

(72) Inventors: **Jonathan Siebert Beckwith**, Raleigh, NC (US); **Ian Cunningham**, Charlotte, NC (US); **Brian Butler**, Charlotte, NC (US)

(56) **References Cited**

U.S. PATENT DOCUMENTS

D605,913 S \* 12/2009 Hsieh ..... D8/24  
9,561,583 B2 \* 2/2017 Hsieh ..... B25B 23/1427  
(Continued)

(73) Assignee: **APEX BRANDS, INC.**, Apex, NC  
(US)

FOREIGN PATENT DOCUMENTS

CN 302617600 \* 6/2013  
CN 303305219 \* 12/2014

(Continued)

(\*\*) Term: **15 Years**

OTHER PUBLICATIONS

(21) Appl. No.: **29/714,186**

GEARWRENCH Store, 3/8" Drive Flex Head Micrometer Torque Wrench, Date first available Feb. 29, 2016, [online]retrieved Dec. 1, 2020, available from internet, [https://www.amazon.com/GEARWRENCH-85086-Micrometer-Torque-Wrench/dp/B01HR2AAC6/ref=sr\\_1\\_4?dchild=1](https://www.amazon.com/GEARWRENCH-85086-Micrometer-Torque-Wrench/dp/B01HR2AAC6/ref=sr_1_4?dchild=1) (Year: 2016).\*

(22) Filed: **Nov. 21, 2019**

(Continued)

**Related U.S. Application Data**

(62) Division of application No. 29/648,974, filed on May 25, 2018, now Pat. No. Des. 873,638.

*Primary Examiner* — Keli L Hill

(51) **LOC (13) Cl.** ..... **08-05**

*Assistant Examiner* — Sara S Sahneh

(52) **U.S. Cl.**

(74) *Attorney, Agent, or Firm* — Burr & Forman, LLP

USPC ..... **D8/25**; D8/24

(57) **CLAIM**

(58) **Field of Classification Search**

The ornamental design for the torque wrench, as shown and described.

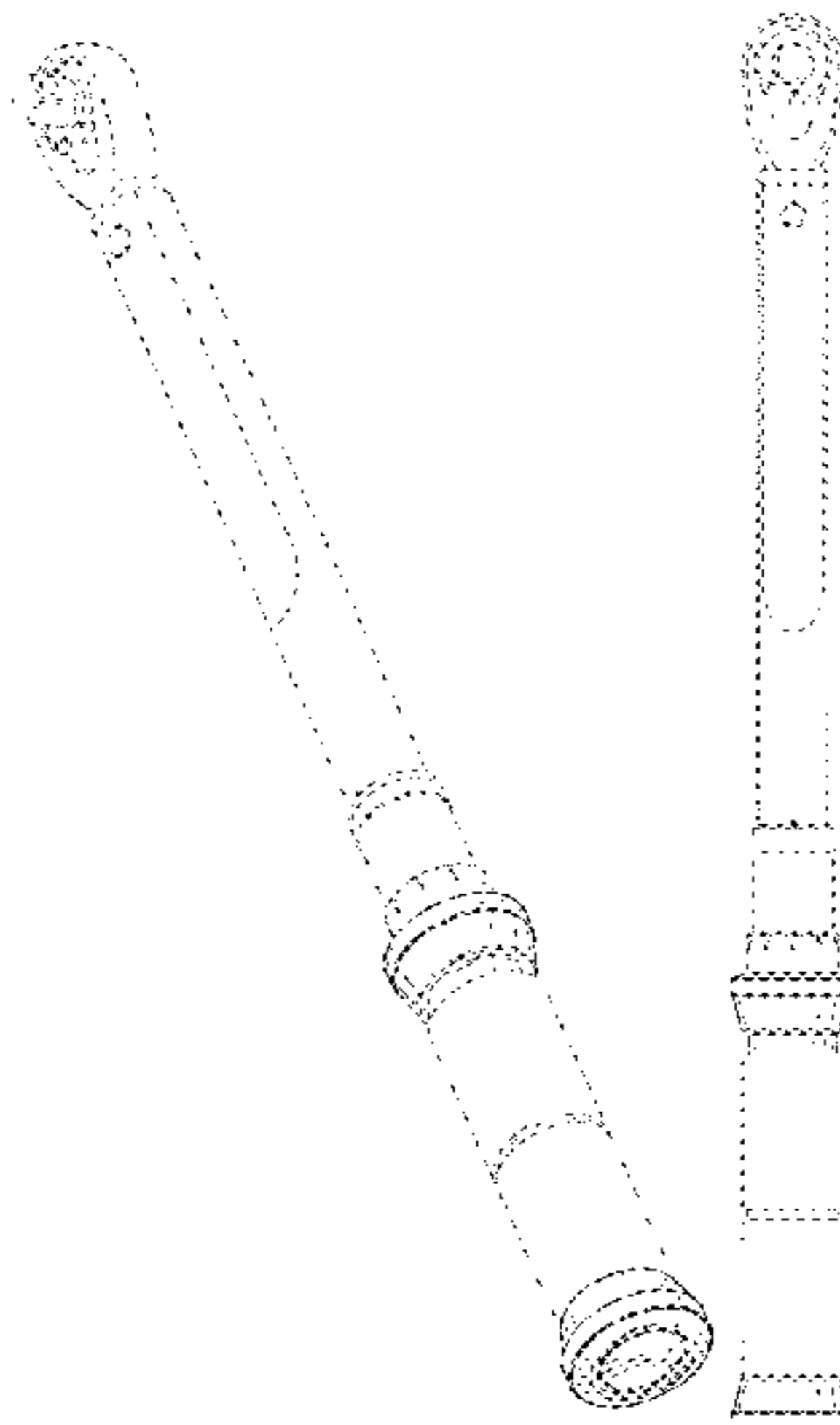
USPC ..... D8/14-40, 51-56; 81/125.1, 177.1, 119, 81/124.7, 124.3, 186, 431, 176.15, 461.1, 81/99, 98, 100, 147, 185.1; 31/193, 252, 31/254

**DESCRIPTION**

CPC ..... B25B 13/14; B25B 13/06; B25B 13/04; B25B 13/46; B25B 13/00; B25B 7/02; B25B 13/48; B25B 13/16; B25B 13/505; B25B 13/5058; B25B 23/0007; B25B 13/28; B25B 23/0035; B25B 13/08; B25B

FIG. 1 is perspective view of a torque wrench in accordance with another embodiment of the present invention; FIG. 2 is a front view of the torque wrench of FIG. 1; FIG. 3 is a rear view of the torque wrench of FIG. 1; FIG. 4 is a left side view of the torque wrench of FIG. 1; FIG. 5 is a right side view of the torque wrench of FIG. 1; FIG. 6 is a top view of the torque wrench of FIG. 1; and, FIG. 7 is a bottom view of the torque wrench of FIG. 1.

(Continued)



The broken lines of the torque wrench in FIGS. 1-7 are illustrative of portions of the torque wrench that form no part of the claimed design.

**1 Claim, 4 Drawing Sheets**

**(58) Field of Classification Search**

CPC ..... B25B 5/147; B25B 5/085; B25B 27/00;  
B25B 23/142; B67B 7/00; B67B 7/18

See application file for complete search history.

**(56) References Cited**

U.S. PATENT DOCUMENTS

D871,870	S *	1/2020	Owen	.....	D8/24
D873,638	S *	1/2020	Beckwith	.....	D8/24
2008/0134800	A1 *	6/2008	Escoe	.....	B25B 23/1425 73/862.21
2010/0147118	A1 *	6/2010	Hsieh	.....	B25B 13/463 81/477
2010/0242691	A1 *	9/2010	Hsieh	.....	B25B 23/0007 81/467
2015/0047477	A1 *	2/2015	Lai Li	.....	B25B 23/1427 81/475
2015/0239109	A1 *	8/2015	Hsieh	.....	B25B 23/1427 81/478
2015/0375379	A1 *	12/2015	Lin	.....	B25B 23/1425 81/467

2018/0229352	A1 *	8/2018	Guo	.....	B25B 23/1427
2019/0039217	A1 *	2/2019	Lin	.....	B25B 23/1427
2020/0269399	A1 *	8/2020	Hsieh	.....	B25B 13/463

FOREIGN PATENT DOCUMENTS

CN	304244277	*	2/2017
CN	304990617	*	12/2017
EM	005823846-0001	*	11/2018

OTHER PUBLICATIONS

TEKTON Store, 3/8 Inch Drive Click Torque Wrench (10-80 ft.-lb.) |24330, Date first available Dec. 15, 2013, [online]retrieved Dec. 1, 2020, available from internet, [https://www.amazon.com/TEKTON-24330-8-Inch-ft-lb-13-6-108-5/dp/B00FMPKAD0/ref=psdc\\_559968\\_t1\\_B01HR2AAC6](https://www.amazon.com/TEKTON-24330-8-Inch-ft-lb-13-6-108-5/dp/B00FMPKAD0/ref=psdc_559968_t1_B01HR2AAC6) (Year: 2013).\*

OEMTOOLS Store, 25687 Click Style Torque Wrench | 25-250 Ft/Lbs. of Torque (33.90-337.60 Nm), Date first available Dec. 6, 2010, [online]retrieved Dec. 1, 2020, available from internet, [https://www.amazon.com/OEMTOOLS-25687-Torque-Wrench-Style-1/dp/B004FDJCHO/ref=pd\\_di\\_scai\\_11?\\_encoding=UTF8&pd\\_rd](https://www.amazon.com/OEMTOOLS-25687-Torque-Wrench-Style-1/dp/B004FDJCHO/ref=pd_di_scai_11?_encoding=UTF8&pd_rd) (Year: 2010).\*

LEXIVON Store, 1/2-Inch Drive Click Torque Wrench 10-150 Ft-Lb/13.6~203.5 Nm, Date first available Dec. 28, 2018, [online]retrieved Dec. 1, 2020, available from internet, [https://www.amazon.com/LEXIVON-2-Inch-Torque-13-6-203-5-LX-183/dp/B07MP1Q3W8/ref=sr\\_1\\_2\\_sspa?\\_encoding=UTF8&c=ts&dchild](https://www.amazon.com/LEXIVON-2-Inch-Torque-13-6-203-5-LX-183/dp/B07MP1Q3W8/ref=sr_1_2_sspa?_encoding=UTF8&c=ts&dchild) (Year: 2018).\*

\* cited by examiner

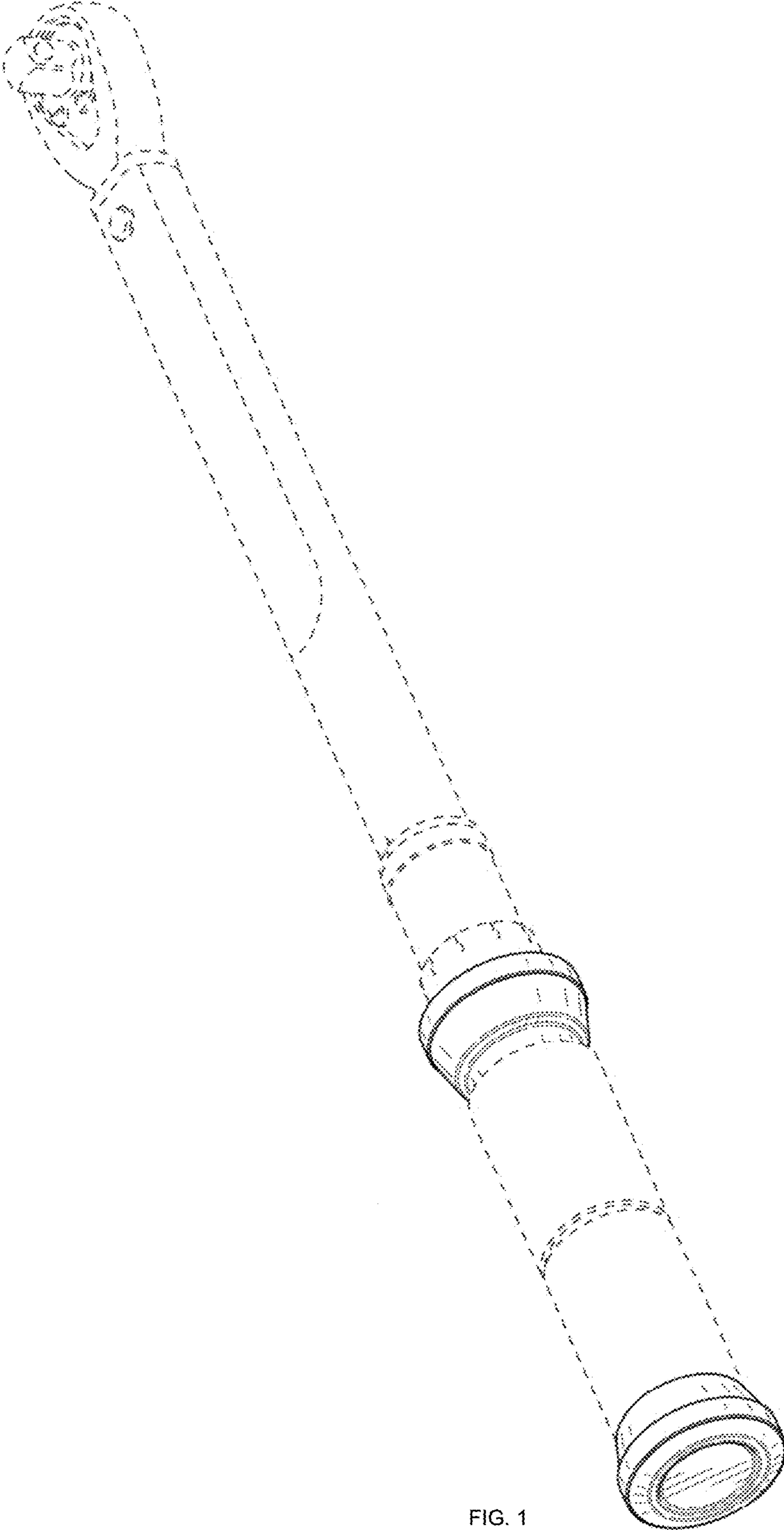


FIG. 1

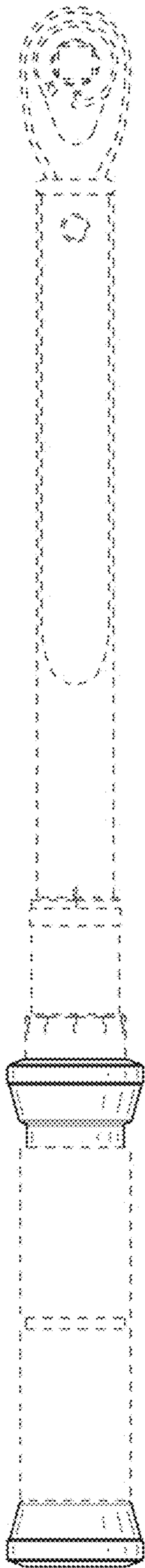


FIG. 2

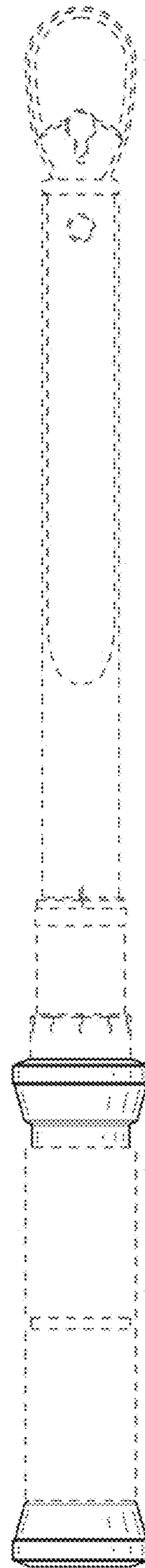


FIG. 3

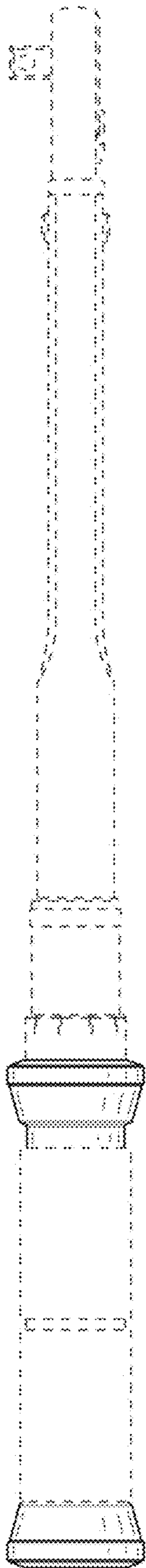


FIG. 4

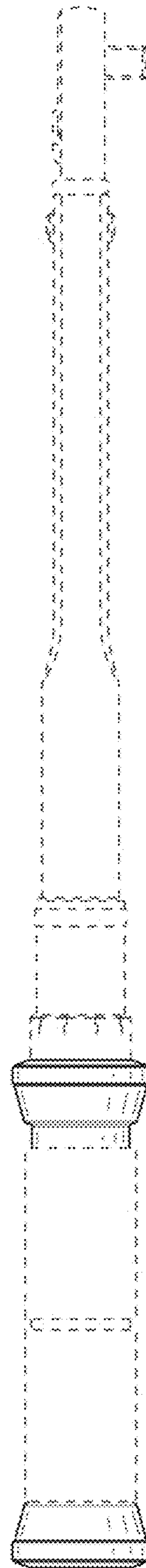


FIG. 5

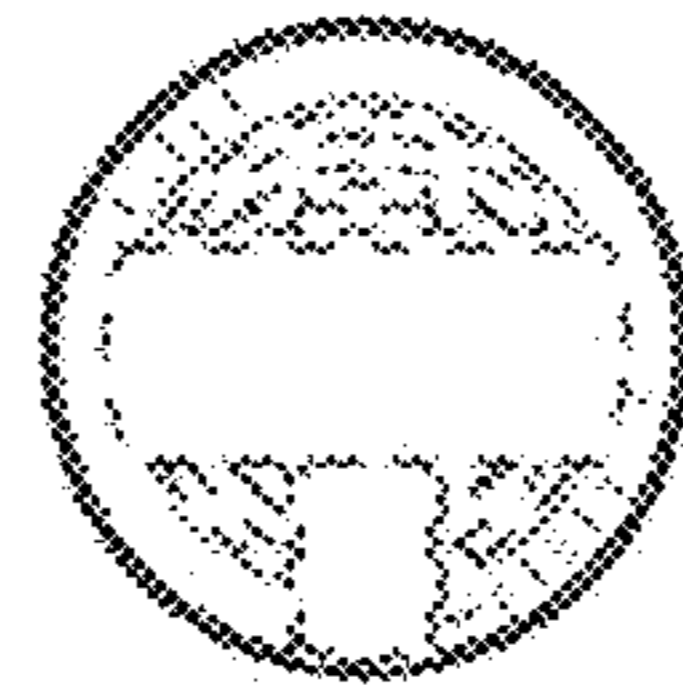


FIG. 6

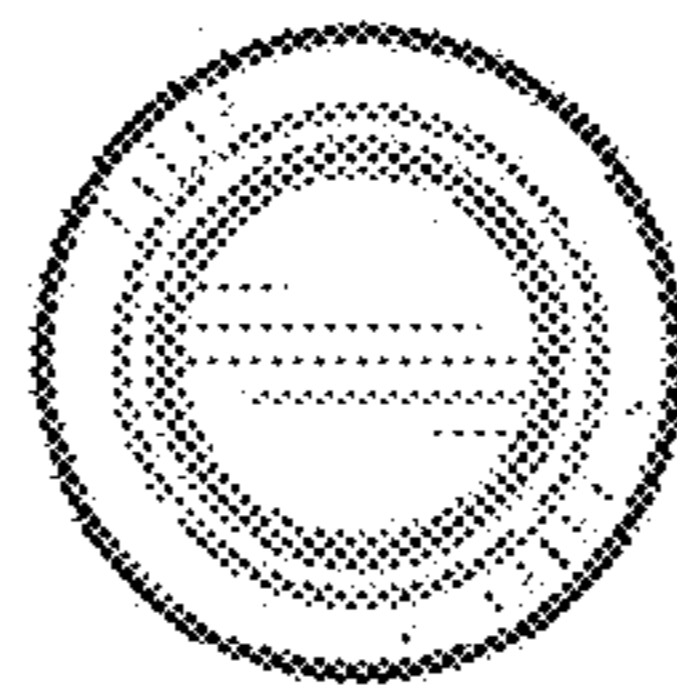


FIG. 7