



US00D913763S

(12) **United States Design Patent** (10) **Patent No.:** **US D913,763 S**
Hsieh (45) **Date of Patent:** **** Mar. 23, 2021**

(54) **WRENCH**

(71) Applicant: **KABO TOOL COMPANY**, Taichung (TW)

(72) Inventor: **Chih-Ching Hsieh**, Taichung (TW)

(73) Assignee: **KABO TOOL COMPANY**, Taichung (TW)

(**) Term: **15 Years**

(21) Appl. No.: **29/700,621**

(22) Filed: **Aug. 3, 2019**

(30) **Foreign Application Priority Data**

Apr. 16, 2019 (TW) 108302200
Apr. 16, 2019 (TW) 108302201

(51) **LOC (13) Cl.** **08-05**

(52) **U.S. Cl.**
USPC **D8/21; D8/24; D8/94**

(58) **Field of Classification Search**
USPC D8/15-29, 29.1, 29.2, 30-32, 349, D8/382-386, 396-399, 70, 71, 70.1, D8/72-74, 471, 83, 104-107, 354, 361, D8/362, 360, 360.1, 363-372, 355-359; 81/487, 60, 186, 124, 4, 121.1, 63.1, 119, 81/489, 177.1, 177.2, 177.85, 177.8, 62, 81/61
CPC . B25B 23/1427; B25B 23/0007; B25B 23/16; B25B 17/00; B25B 23/0028; B25B 23/0021; B25B 13/50; B25B 13/08; B25B 13/481; B25B 13/461; B25B 23/0035; B25B 15/04; B25G 1/043; E06B 3/685; A61C 8/0089; A61C 1/186; A61B 17/8875; A61B 17/8883

See application file for complete search history.

(56) **References Cited**

U.S. PATENT DOCUMENTS

37,333 A * 1/1863 Clough et al. B25G 1/00 81/492
232,634 A * 9/1880 Durgin B27G 15/00 142/56
355,150 A * 12/1886 Donoghue B23B 31/1179 279/102

(Continued)

FOREIGN PATENT DOCUMENTS

CN 302061011 * 6/2012
CN 303205165 * 11/2014

(Continued)

OTHER PUBLICATIONS

Williams, B-52EHLA 3/8-Inch Drive Long Enclosed Head Ratchet, Date first available Aug. 26, 2009, [online]retrieved Jul. 13, 2020, available from internet, www.amazon.com (Year: 2009).*

Primary Examiner — Keli L Hill

Assistant Examiner — Sara S Sahneh

(74) *Attorney, Agent, or Firm* — Guice Patents PLLC

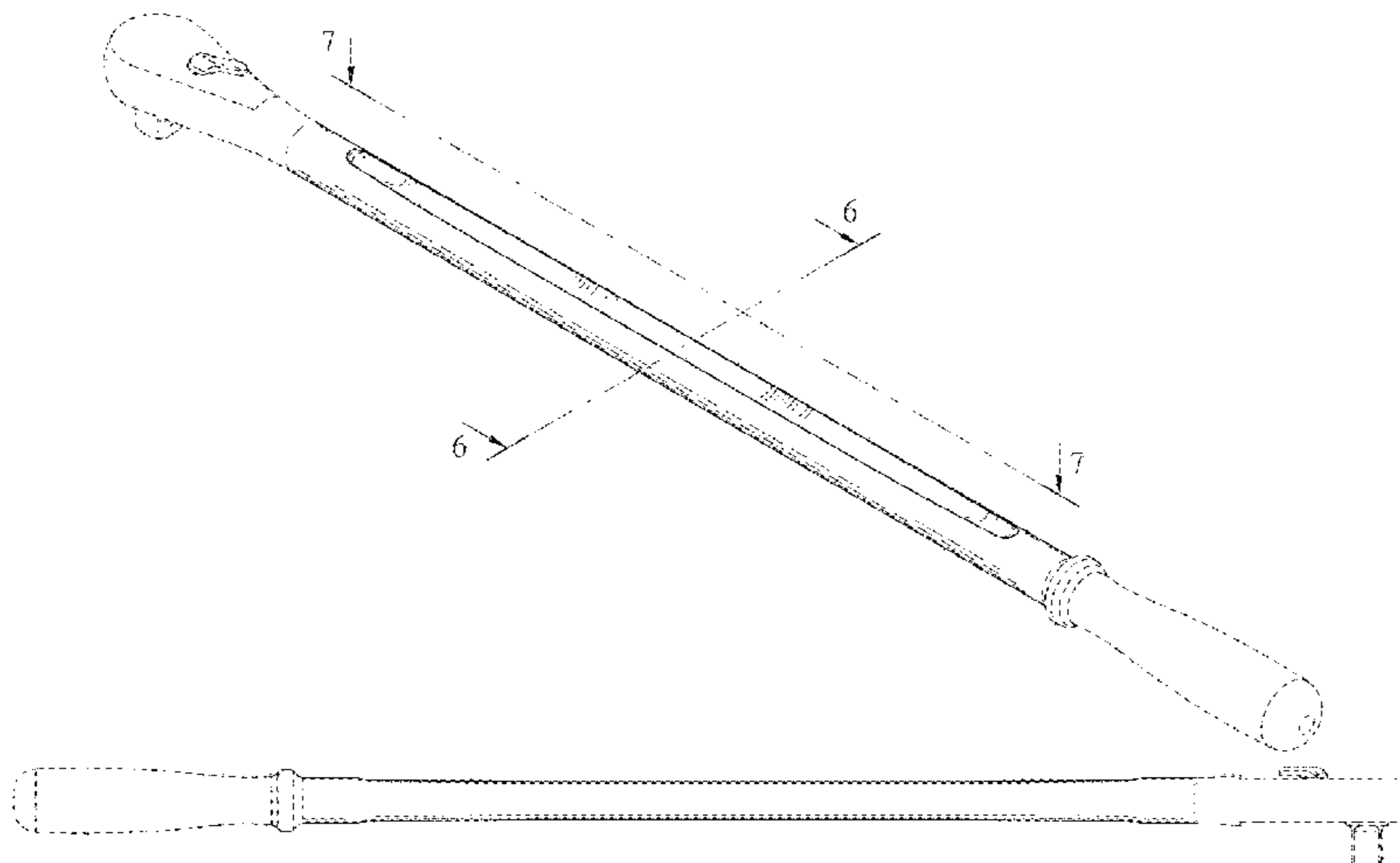
(57) **CLAIM**

The ornamental design for a wrench, as shown and described.

DESCRIPTION

FIG. 1 is a perspective view of the wrench;
FIG. 2 is a front view of FIG. 1;
FIG. 3 is a rear view of FIG. 1;
FIG. 4 is a top view of FIG. 1;
FIG. 5 is a bottom view of FIG. 1;
FIG. 6 is a sectional view taken along line 6-6 of FIG. 1; and,
FIG. 7 is a sectional view taken along line 7-7 of FIG. 1.

(Continued)



The broken lines shown are included for the purpose of illustrating portions of the Wrench that form no part of the claimed design.

1 Claim, 5 Drawing Sheets

(56)

References Cited

U.S. PATENT DOCUMENTS

D107,311 S * 12/1937 Dunn D8/24
2,646,687 A * 7/1953 De Wald F16H 25/122
74/127
4,372,356 A * 2/1983 Conklin B27G 15/00
142/56
D422,192 S * 4/2000 Cleveland D8/107
6,336,383 B1 * 1/2002 Hung B25G 1/063
81/177.2

D527,242 S * 8/2006 Hsieh D8/107
D615,466 S * 5/2010 Domin D12/177
D641,608 S * 7/2011 Good D8/107
D700,498 S * 3/2014 Carter B27C 7/06
D8/107
D704,521 S * 5/2014 Su D8/25
9,021,922 B2 * 5/2015 Lai B25B 13/461
81/60
D821,167 S * 6/2018 James D8/25
2013/0228048 A1 * 9/2013 Lai B25B 13/463
81/63.1
2014/0053689 A1 * 2/2014 Lai B25B 13/465
81/60

FOREIGN PATENT DOCUMENTS

CN 305289917 * 8/2018
GB 6051787 * 1/2019
JP D1614696 * 12/2017

* cited by examiner

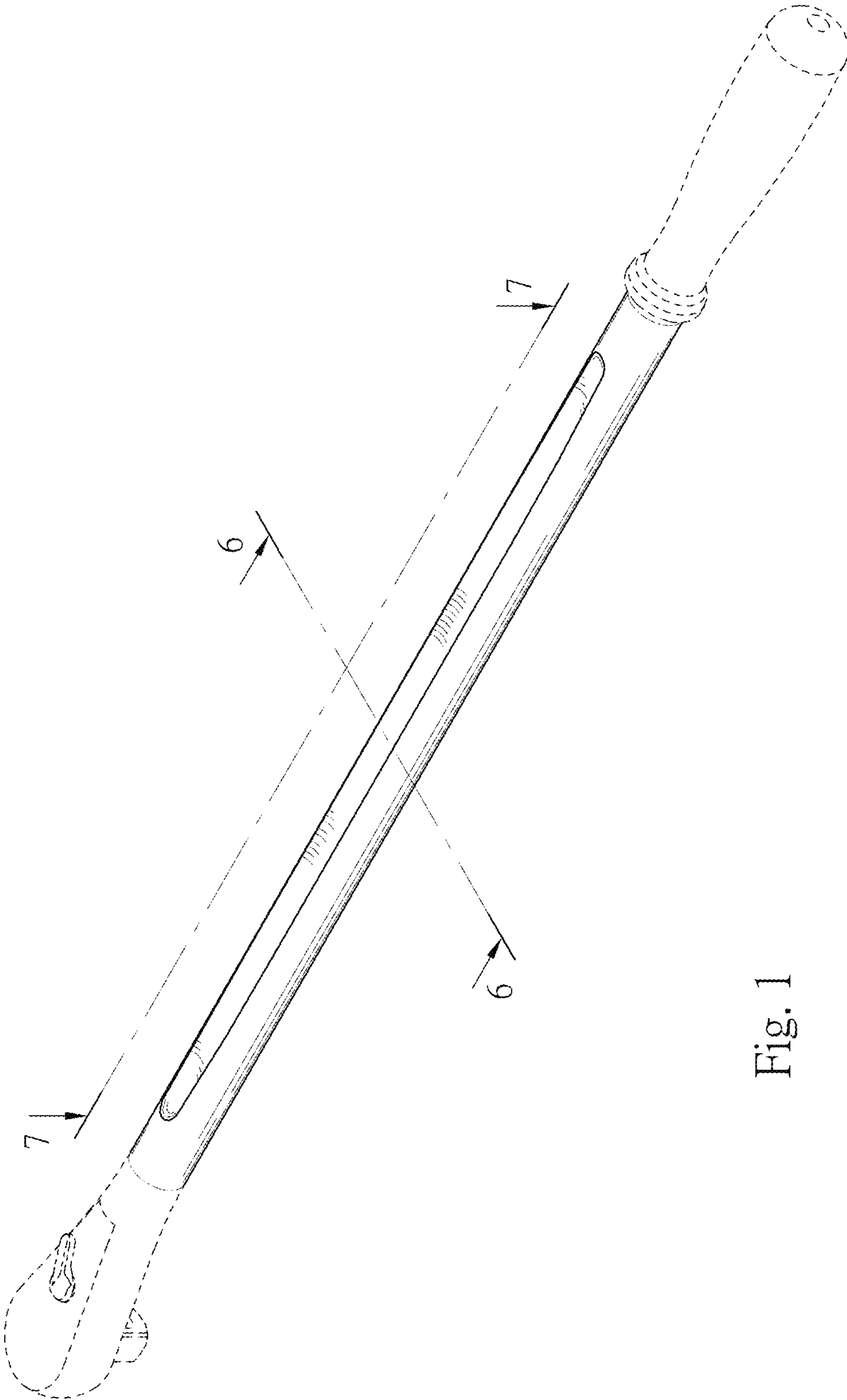


Fig. 1

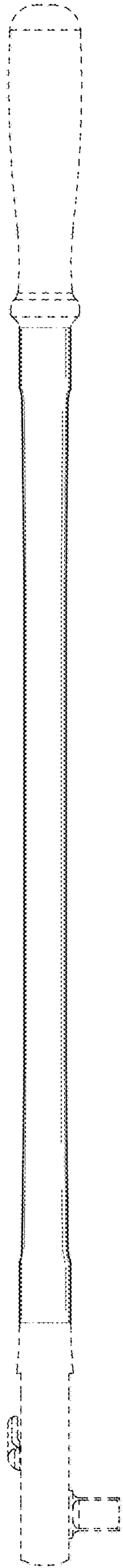


Fig. 2

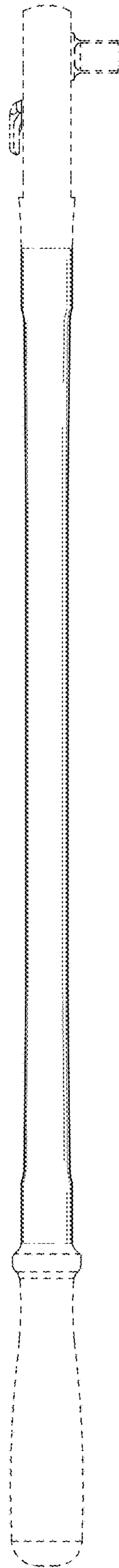


Fig. 3

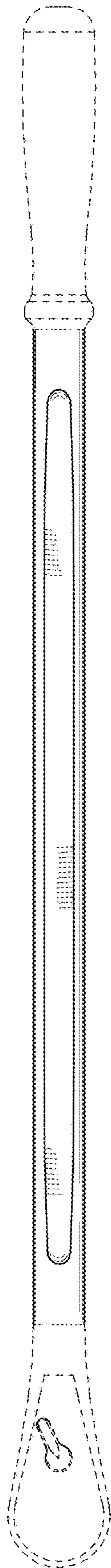


Fig. 4

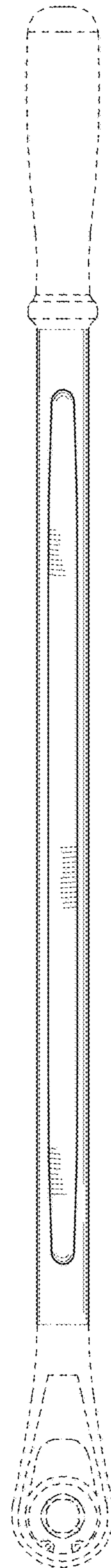


Fig. 5

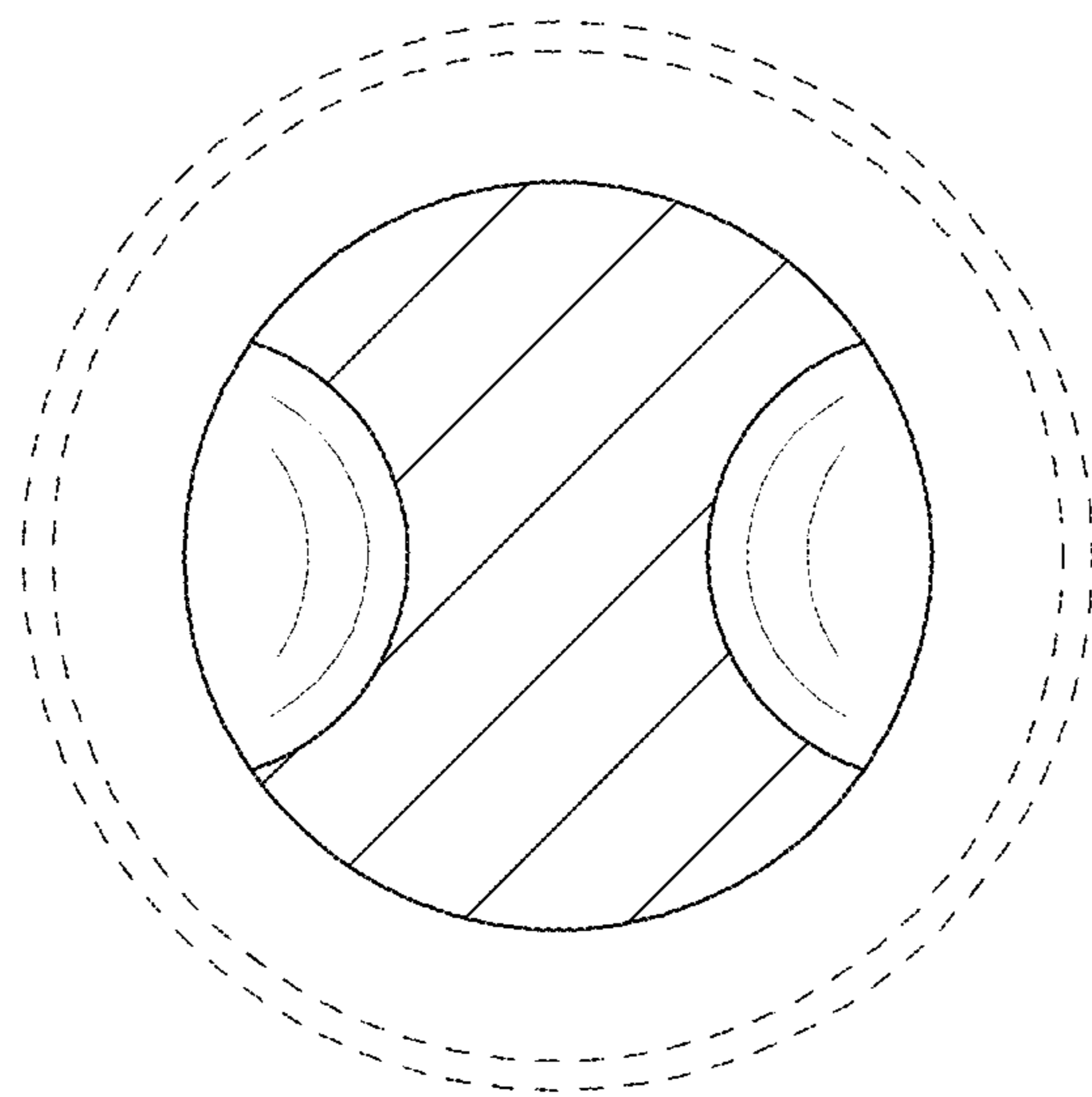


Fig. 6

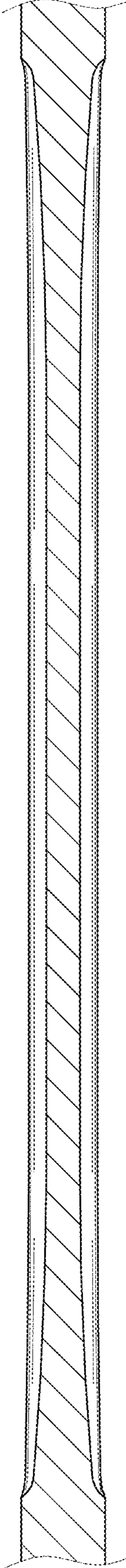


Fig. 7