



US00D913758S

(12) **United States Design Patent**
Diener et al.

(10) **Patent No.:** **US D913,758 S**
(45) **Date of Patent:** **** Mar. 23, 2021**

- (54) **LUNCH CONTAINER**
- (71) Applicants: **Ryan Diener**, Bend, OR (US); **Lee Nguyen**, Bend, OR (US); **Spencer Brinson**, Bend, OR (US)
- (72) Inventors: **Ryan Diener**, Bend, OR (US); **Lee Nguyen**, Bend, OR (US); **Spencer Brinson**, Bend, OR (US)
- (73) Assignee: **Helen of Troy Limited**, St. Michael (BB)
- (**) Term: **15 Years**
- (21) Appl. No.: **29/688,791**
- (22) Filed: **Apr. 24, 2019**
- (51) **LOC (13) Cl.** **09-03**
- (52) **U.S. Cl.**
USPC **D7/709**
- (58) **Field of Classification Search**
USPC D7/601, 602, 629, 701, 705, 706, 709;
D9/414, 420, 432; D3/201, 203.1, 203.3,
D3/203.6, 301; D19/102, 106
CPC A45C 11/20; A45C 11/34; A45C 11/36;
B65D 81/34; B65D 85/30; B65D 25/04
See application file for complete search history.

D742,115 S * 11/2015 Besner D3/249
D763,629 S * 8/2016 Swartz D7/629
D764,910 S * 8/2016 Akana D9/432

(Continued)

OTHER PUBLICATIONS

Hydro Flask Lunch Box| posted at Amazon.com, posted on Jan. 3, 2020 © 1996-2020 Amazon.com, [online], [site visited 08/29/2020], Available from Internet, <URL:https://www.amazon.com/Hydro-Flask-Lightweight-Insulated-Lunch/dp/B083GBPCLW/> (Year: 2020).*

(Continued)

Primary Examiner — Susan E Krakower

Assistant Examiner — Andrew Kerr

(74) *Attorney, Agent, or Firm* — Rankin, Hill & Clark LLP

(57) **CLAIM**

The ornamental design for a lunch container, as shown, and described.

DESCRIPTION

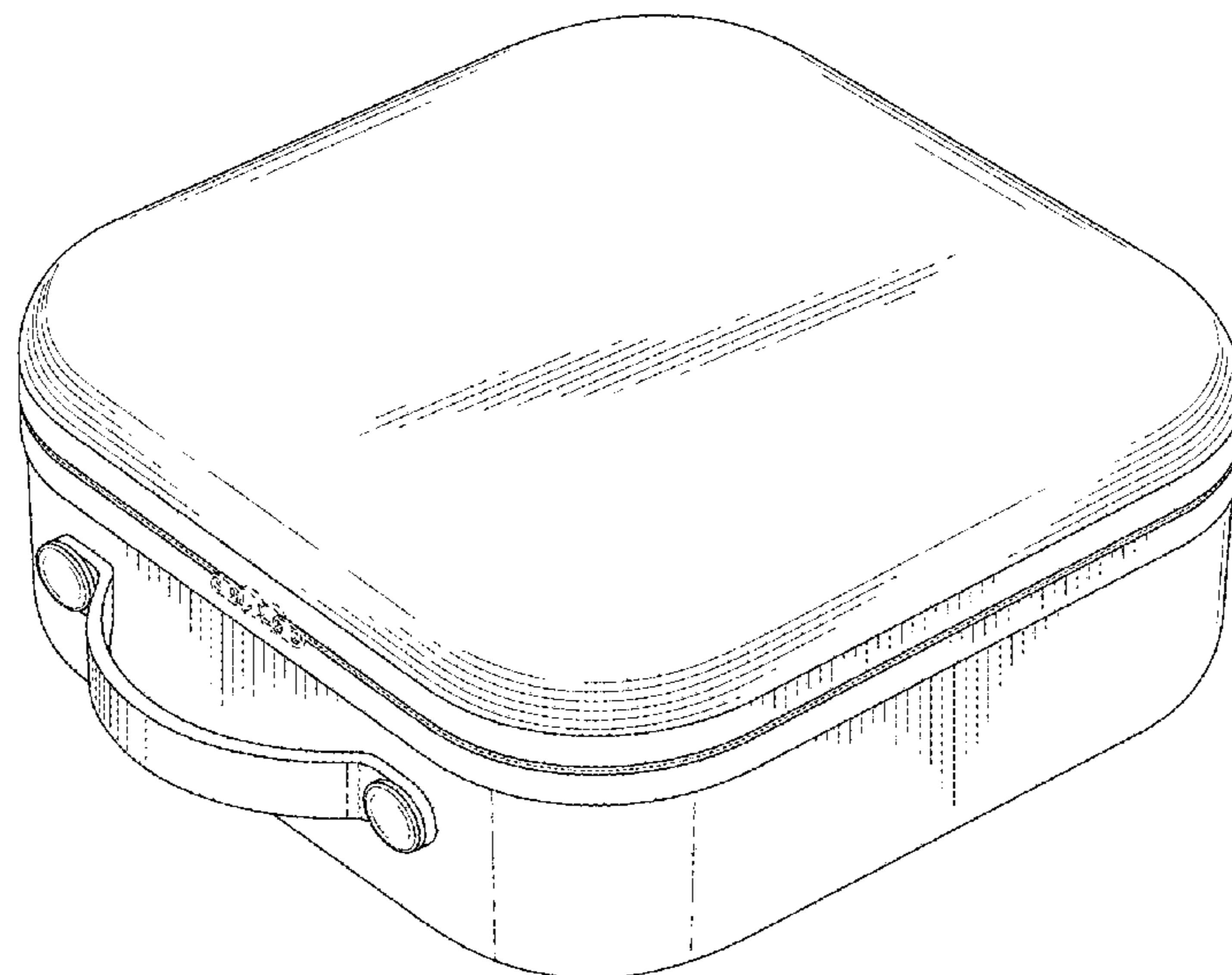
FIG. 1 is a perspective view of a lunch container showing our new design, in a closed position;
FIG. 2 is a front elevation view of FIG. 1;
FIG. 3 is a rear elevation view of FIG. 1;
FIG. 4 is a left side elevation view of FIG. 1, the right side elevation view being a mirror image of FIG. 4;
FIG. 5 is a top plan view of FIG. 1;
FIG. 6 is a perspective view of the lunch container, in an open position; and
FIG. 7 is a front elevation view of FIG. 6;
FIG. 8 is a rear elevation view of FIG. 6;
FIG. 9 is a left side elevation view of FIG. 6, the right side elevation view being a mirror image of FIG. 9;
FIG. 10 is a top plan view of FIG. 6; and,
FIG. 11 is a bottom plan view of FIG. 6.
The broken lines in the drawings represent portions of the lunch container that form no part of the claimed design.

1 Claim, 11 Drawing Sheets

(56) **References Cited**

U.S. PATENT DOCUMENTS

- D363,197 S * 10/1995 Burnett D3/276
- D434,282 S * 11/2000 Daw D7/709
- D512,216 S * 12/2005 Joyce D3/203.6
- D607,701 S * 1/2010 Pedrazzi D7/709
- D639,064 S * 6/2011 Raible D3/301
- D645,251 S * 9/2011 Lee D3/301
- D659,998 S * 5/2012 Austin D3/301
- D685,185 S * 7/2013 Bulzis D3/266
- D690,513 S * 10/2013 Phillips D3/301
- D739,142 S * 9/2015 Coleman D3/301
- D739,655 S * 9/2015 Coleman D3/301



(56)

References Cited

U.S. PATENT DOCUMENTS

D778,156 S * 2/2017 Follett D9/432
D787,174 S * 5/2017 Oie D3/20
D790,933 S * 7/2017 Solly D7/709
D796,920 S * 9/2017 Staton D7/709
D808,168 S * 1/2018 Turczynskyj D3/301
D822,996 S * 7/2018 Ehara D3/301
D849,400 S * 5/2019 Wang D3/249
D850,105 S * 6/2019 Case D3/289
D857,390 S * 8/2019 Kwon D3/301
D857,391 S * 8/2019 Coleman D3/301
D881,573 S * 4/2020 Liu D3/303
D890,581 S * 7/2020 Gonzalez D7/709
2013/0277262 A1 * 10/2013 Nemard B65D 25/102
206/438
2016/0355319 A1 * 12/2016 Stephens A45C 13/126

OTHER PUBLICATIONS

Purifyou insulated lunch box| posted at Amazon.co.uk, posted on Aug. 7, 2017 © 1996-2020 Amazon.com, [online], [site visited 08/29/2020], Available from Internet, <URL:https://www.amazon.co.uk/purifyou-Insulated-Lunchbox-Lightweight-Container/dp/B074MB4VR3/> (Year: 2017).*

Hydro Flask Lunch Box| posted at Amazon.com, posted on Jan. 3, 2020, © 1996-2021 Amazon.com, [online], [site visited Feb. 4, 2021]. Available from Internet, <URL:https://www.amazon.com/Hydro-Flask-Lightweight-Insulated-Lunch/dp/B083GBXQP2/?th=1> (Year: 2020).*

Hydro Flask Kids Lunch Box| posted at Amazon.com, posted on Jul. 16, 2020, © 1996-2021 Amazon.com, [online], [site visited Feb. 4, 2021]. Available from Internet, <URL:https://www.amazon.com/Hydro-Flask-Lightweight-Insulated-Lunch/dp/B08D5G56VR/> (Year: 2020).*

* cited by examiner

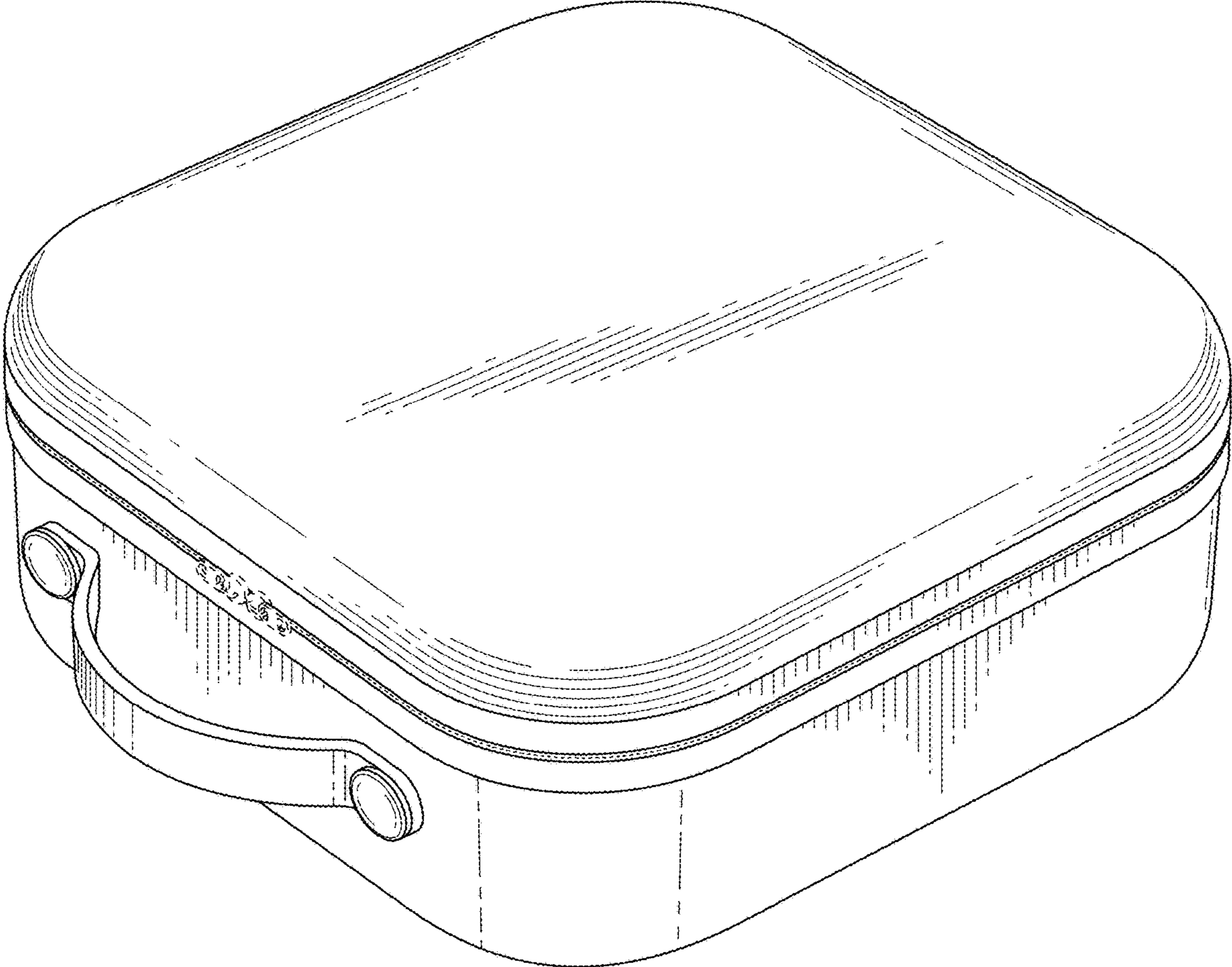


FIG. 1

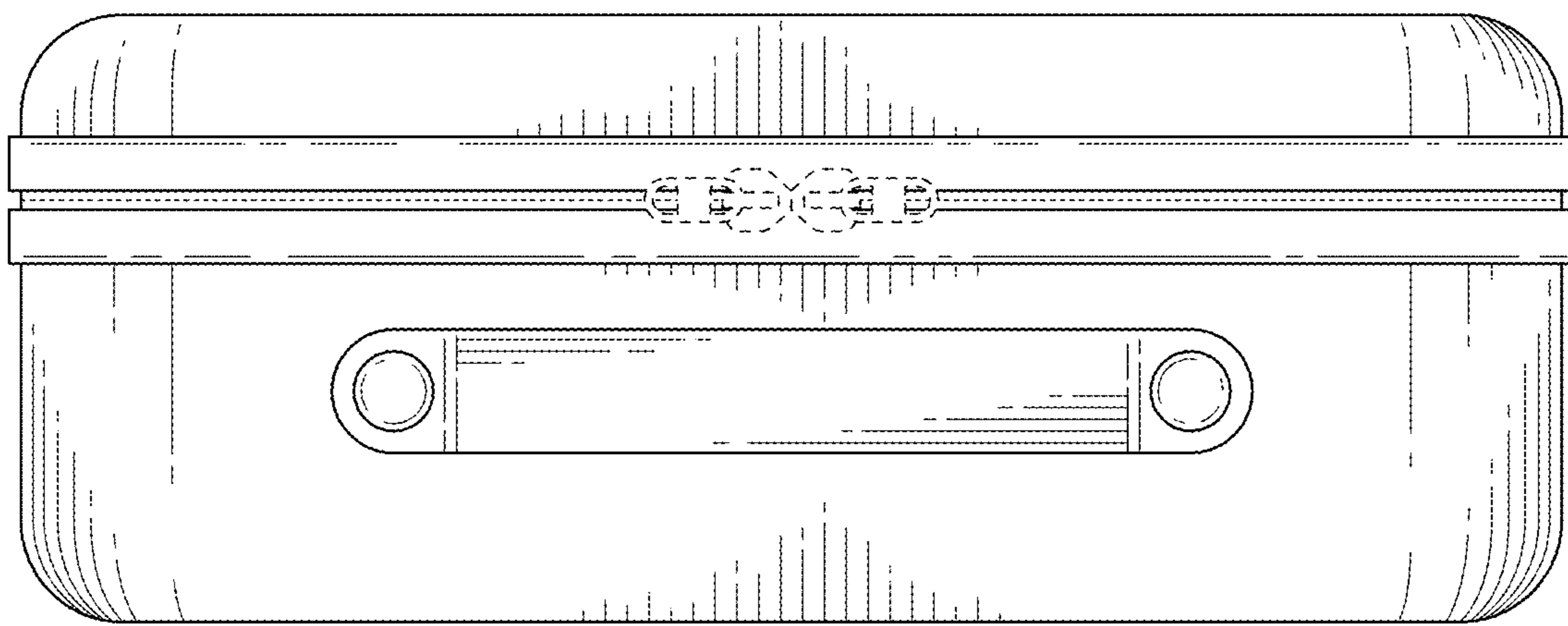


FIG. 2

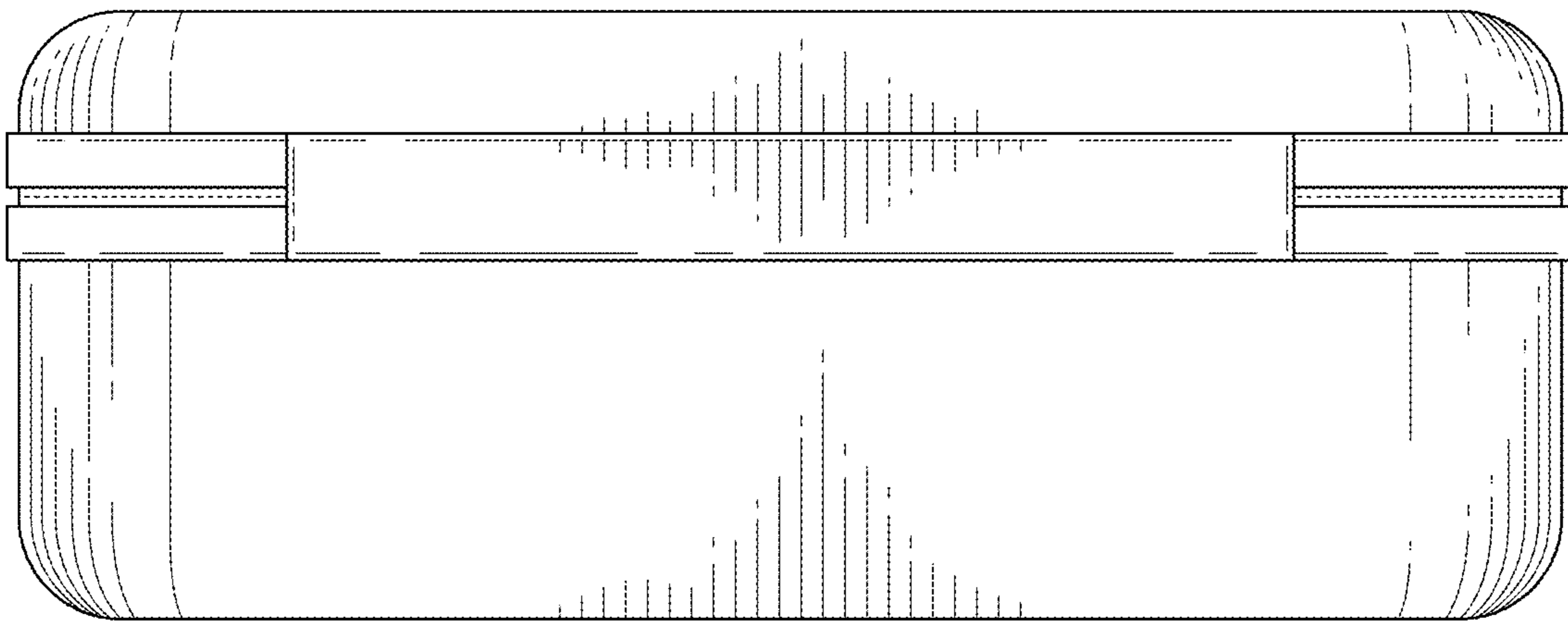


FIG. 3

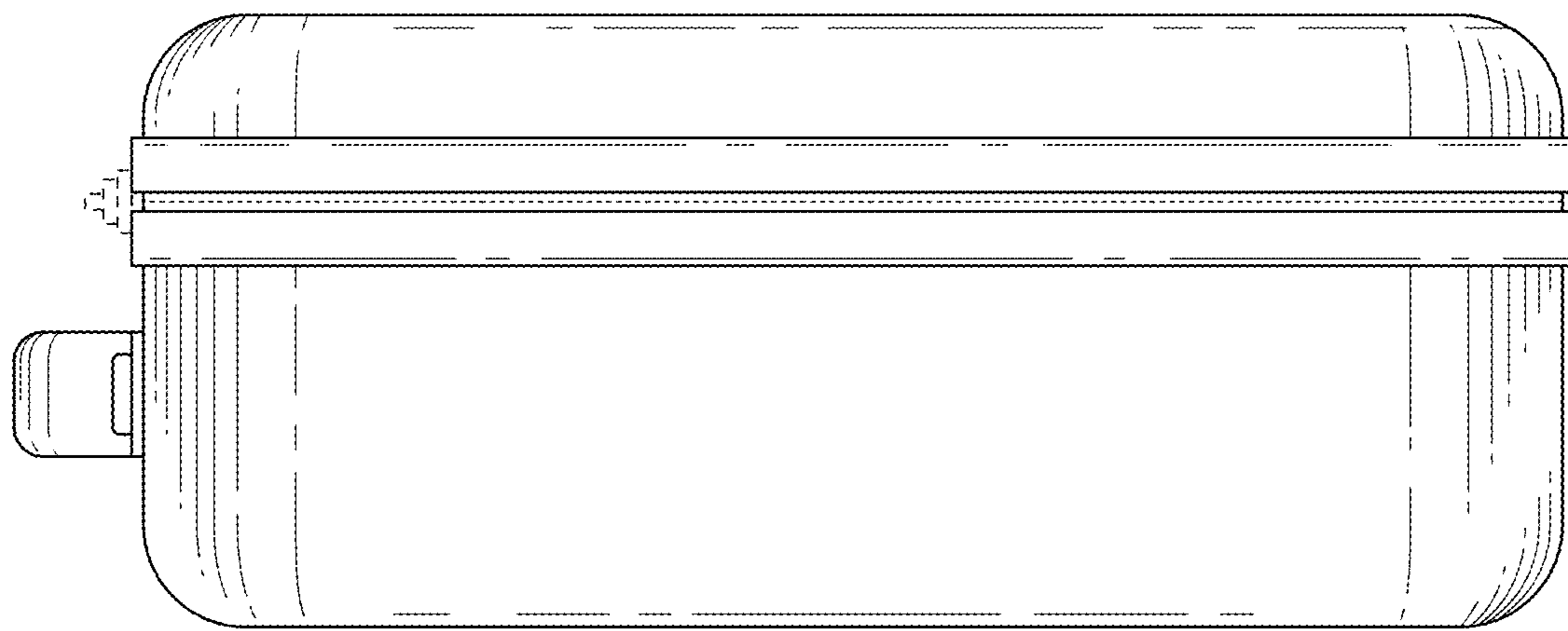


FIG. 4

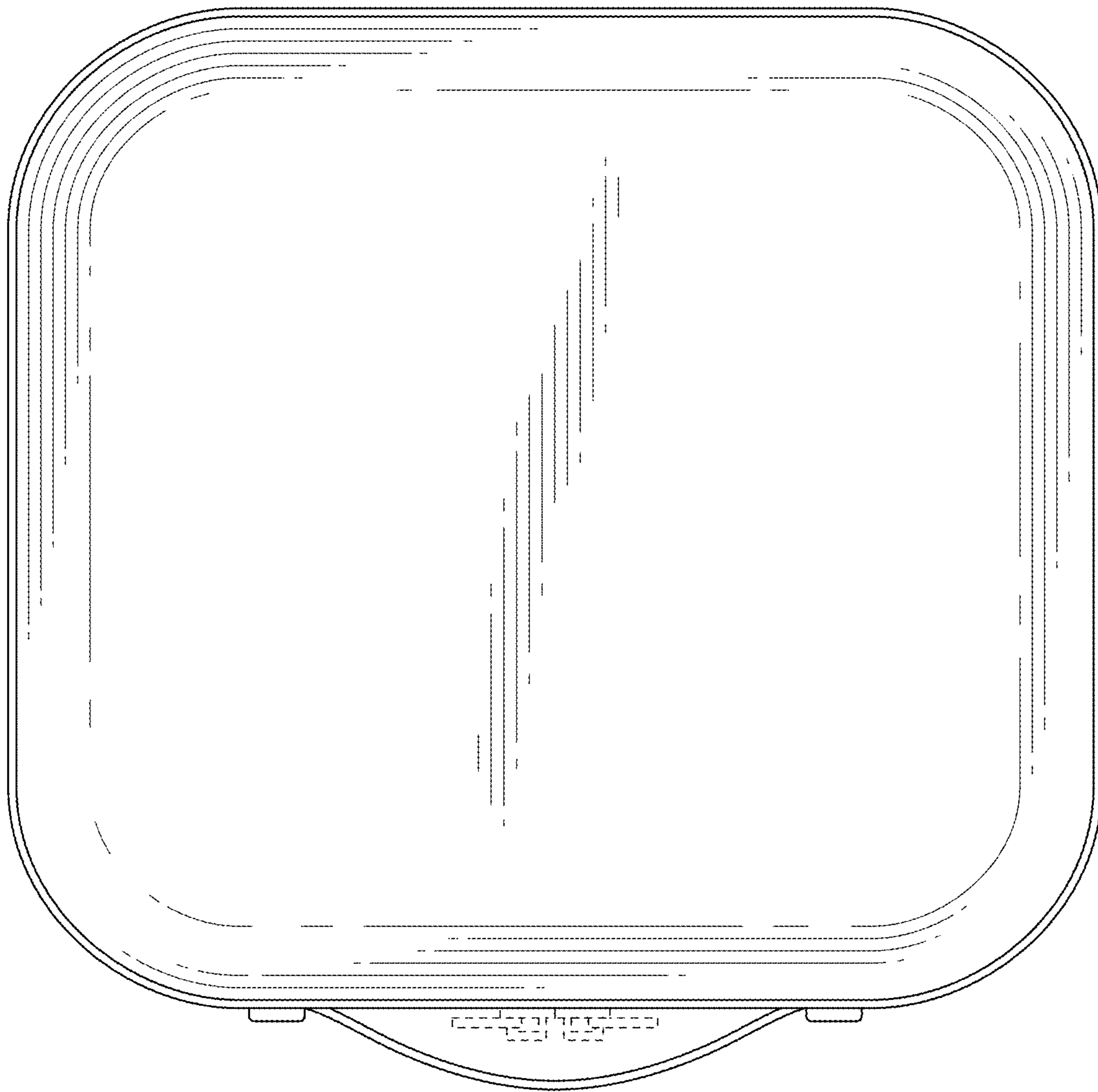


FIG. 5

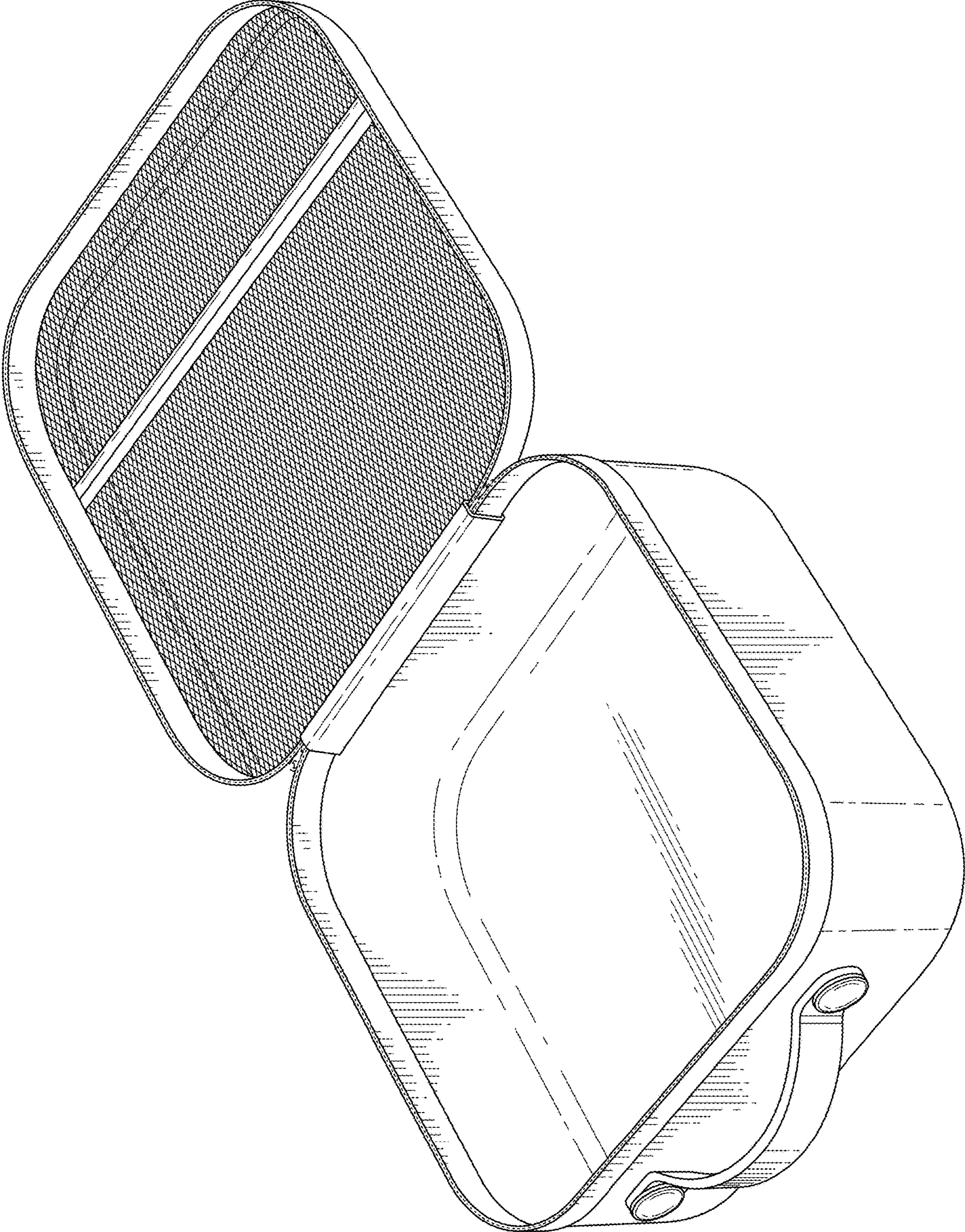


FIG. 6

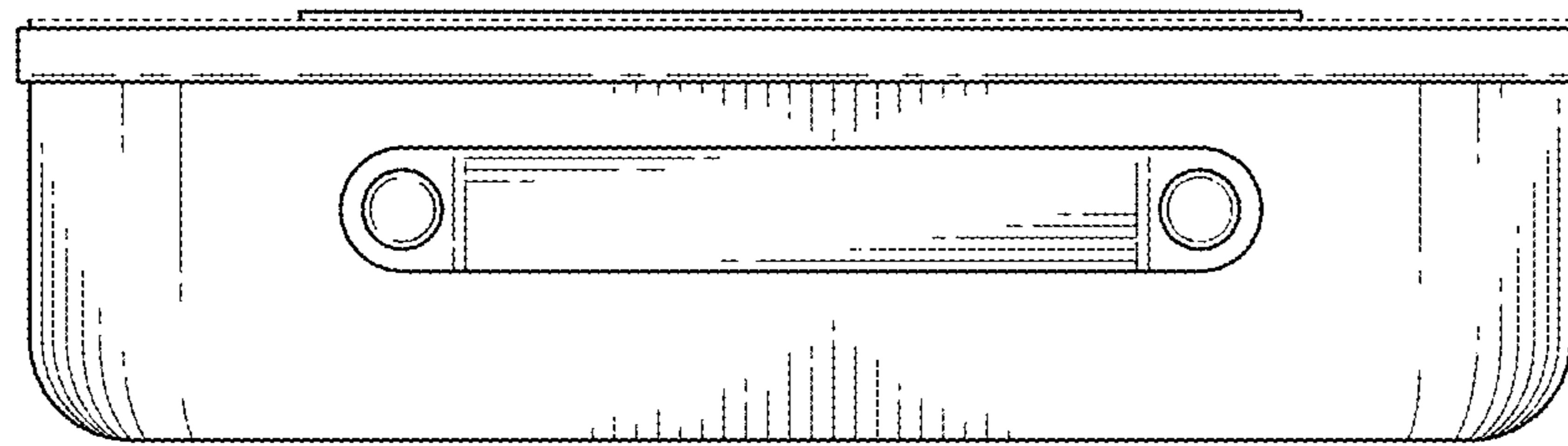


FIG. 7

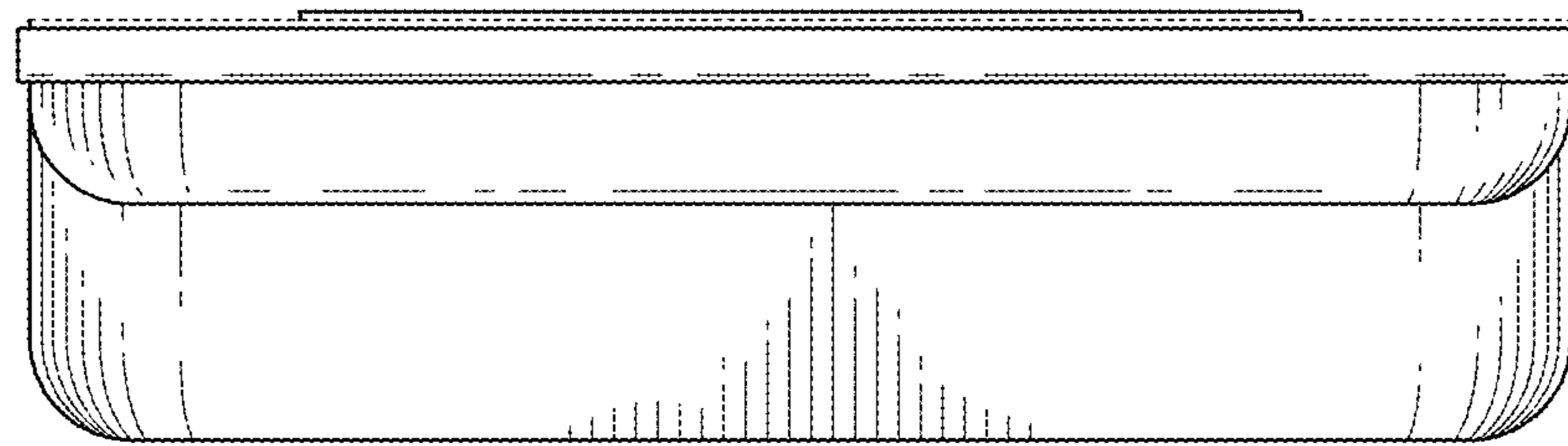


FIG. 8

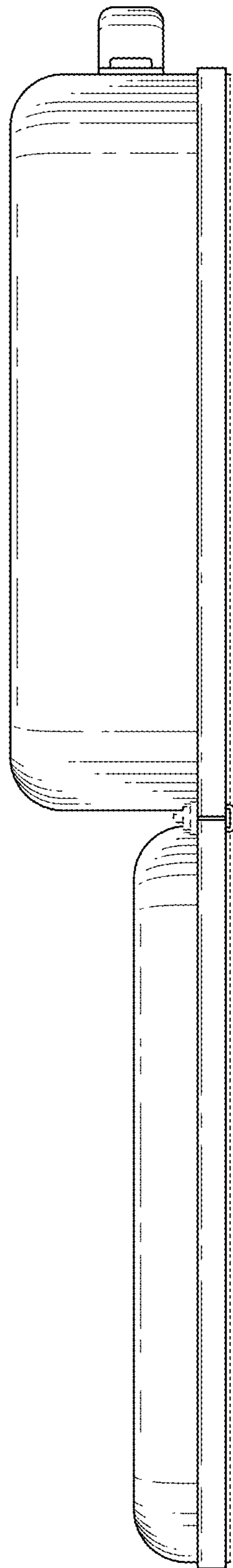


FIG. 9

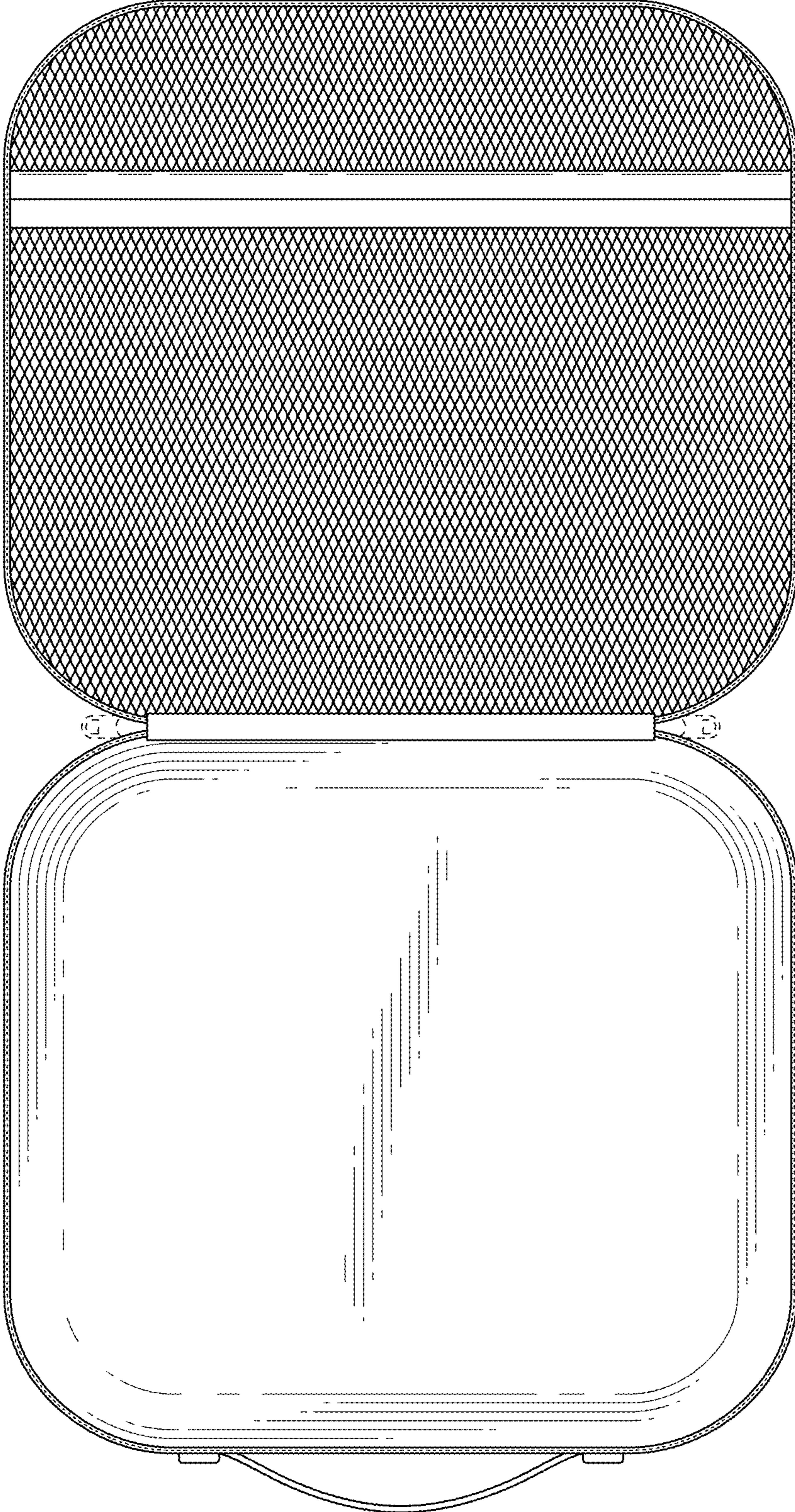


FIG. 10

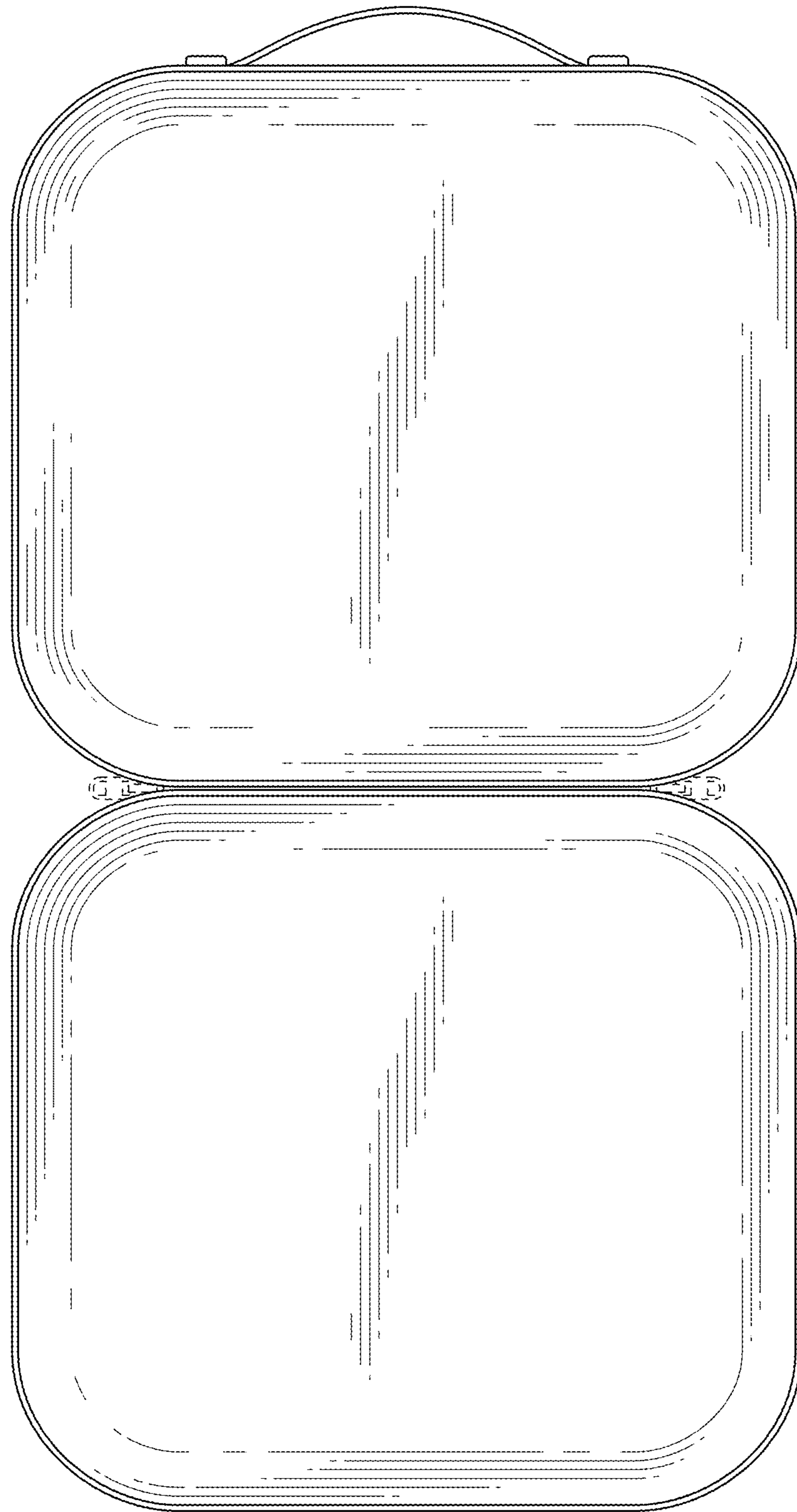


FIG. 11