



US00D913757S

(12) **United States Design Patent** (10) **Patent No.:** **US D913,757 S**
Brouillac (45) **Date of Patent:** **** Mar. 23, 2021**

(54) **SPICE MILL**

(56) **References Cited**

(71) Applicant: **PEUGEOT SAVEURS**, Quingey (FR)

U.S. PATENT DOCUMENTS

(72) Inventor: **Nicolas Brouillac**, Saint-Vit (FR)

D96,679 S *	8/1935	Kopf	D7/372
D276,891 S *	12/1984	Fortuna	D9/453
D446,692 S *	8/2001	Bodum	D7/679
D484,371 S *	12/2003	Tang	D7/679
D548,023 S *	8/2007	Seidenfaden	D7/679
D563,153 S *	3/2008	Bodum	D7/373
D639,166 S *	6/2011	Carreno	D9/504
D773,257 S *	12/2016	Aubry	D7/679
D853,802 S *	7/2019	Riding	D7/679
D853,803 S *	7/2019	Zhang	D7/679
D865,522 S *	11/2019	Sordo	D9/500

(73) Assignee: **PEUGEOT SAVEURS**, Quingey (FR)

(**) Term: **15 Years**

(21) Appl. No.: **35/507,951**

(22) Filed: **Jul. 30, 2019**

(80) **Hague Agreement Data**

Int. Filing Date: **Jul. 30, 2019**
Int. Reg. No.: **DM/204318**
Int. Reg. Date: **Jul. 30, 2019**
Int. Reg. Pub. Date: **Nov. 29, 2019**

* cited by examiner

Primary Examiner — Robert M. Spear
(74) *Attorney, Agent, or Firm* — Craft Chu PLLC;
Andrew W. Chu

(30) **Foreign Application Priority Data**

Feb. 12, 2019 (EM) 006230538-0004

(51) **LOC (13) Cl.** **07-04**

(52) **U.S. Cl.**
USPC **D7/679**

(58) **Field of Classification Search**

USPC D7/679, 372, 373, 374; D9/500, 503, D9/504
CPC ... A21C 1/04; A47J 42/34; A47J 42/00; A47J 42/04; A47J 42/14; A47J 42/18; A47J 42/24; A47J 42/42; A47J 42/46; A47J 42/06; A47J 42/08; A47J 42/40; A47J 43/04; A47J 43/044; A47J 43/0722; A47J 43/06; A47J 43/25; A47J 43/255; A24C 5/40; B02C 18/08; B02C 18/24; B02C 18/16

See application file for complete search history.

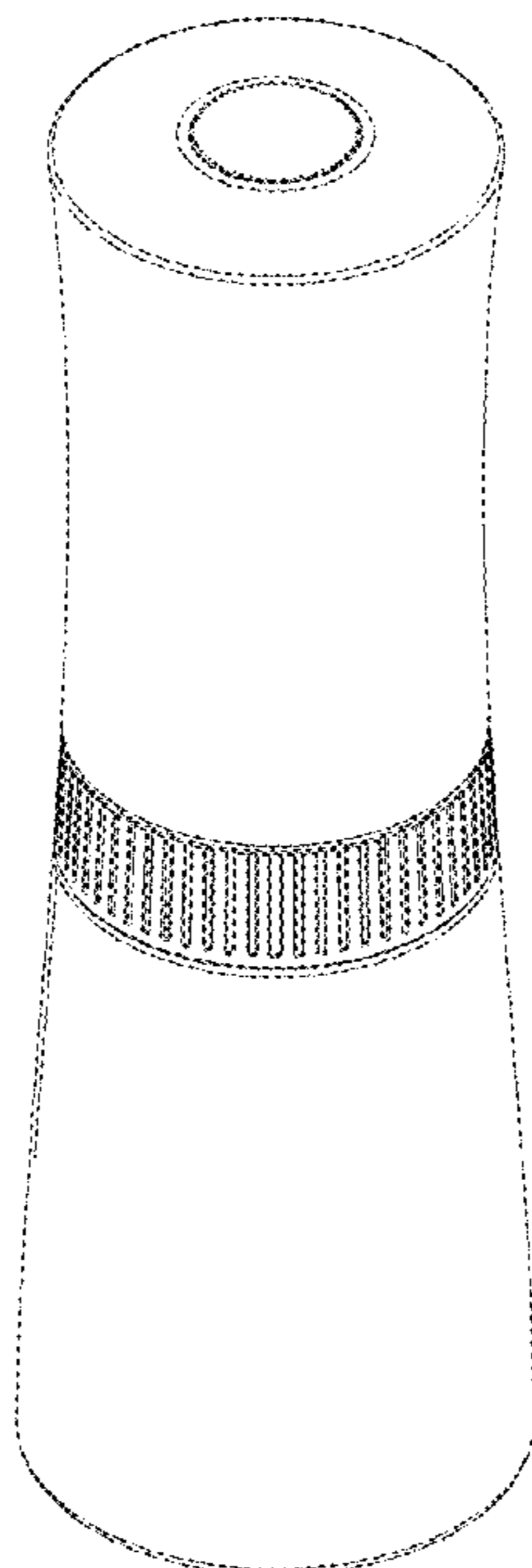
(57) **CLAIM**

The ornamental design for a spice mill, as shown and described.

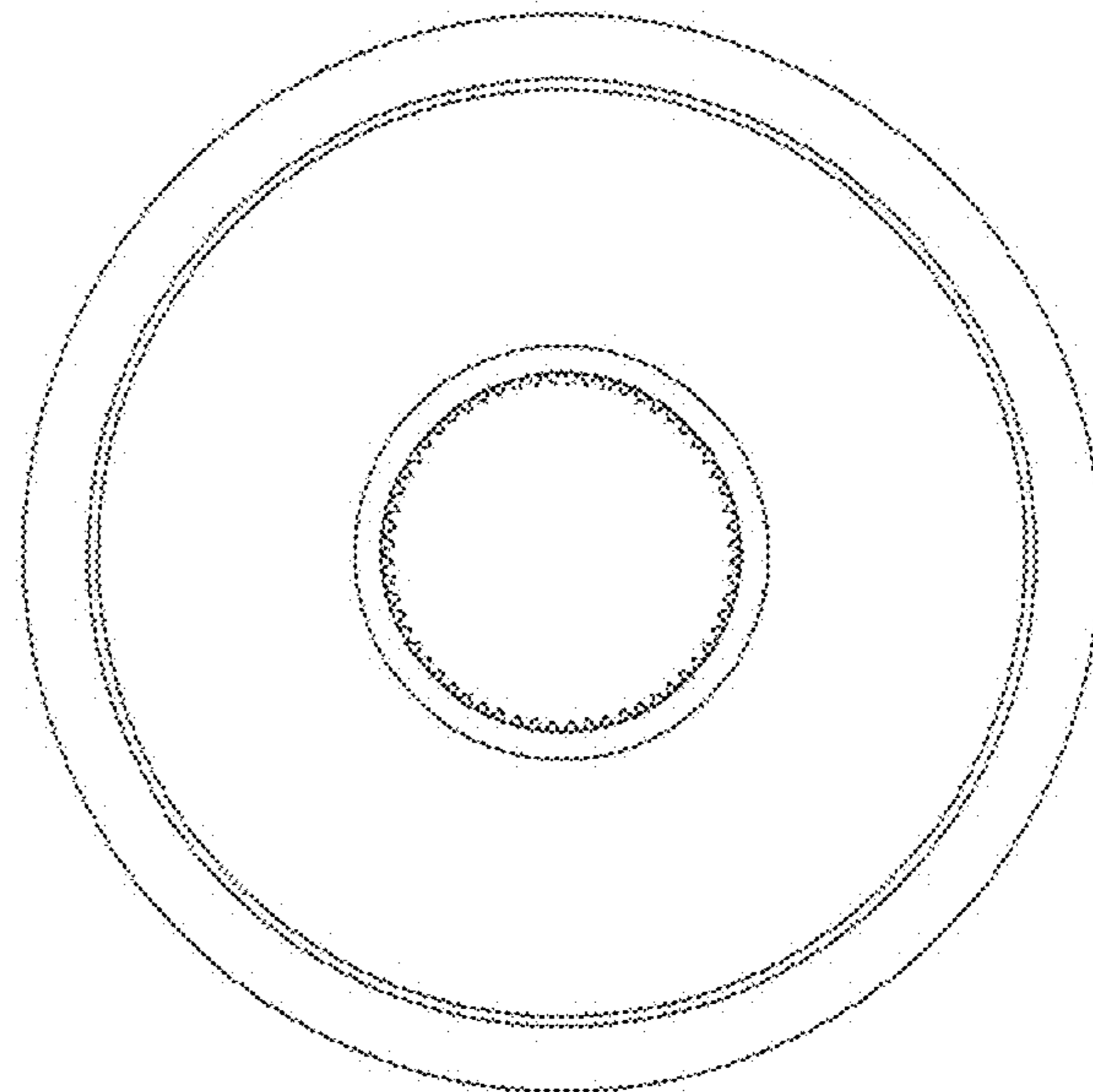
DESCRIPTION

1. Spice mill
1.1 is a top plan view of a spice mill showing my new design;
1.2 is a top front perspective view thereof;
1.3 is a front elevational view thereof; and
1.4 is a bottom plan view thereof.
The broken lines in FIG. 1.4 are included for the purpose of illustrating environment and form no part of the claimed design.

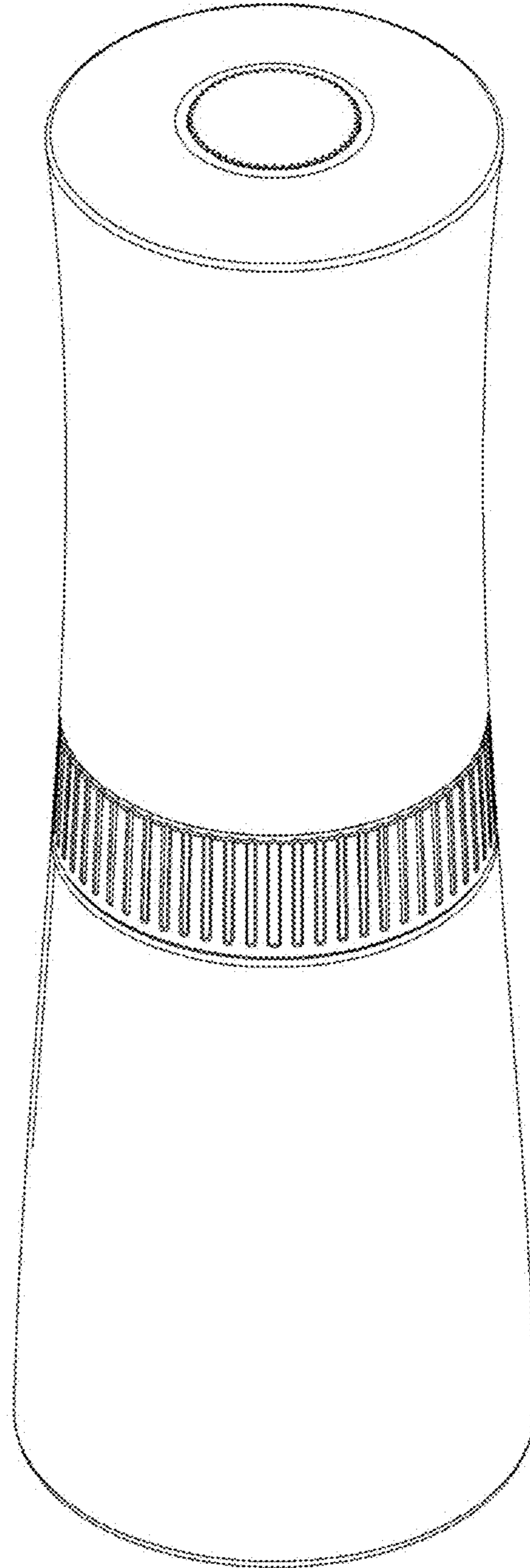
1 Claim, 4 Drawing Sheets



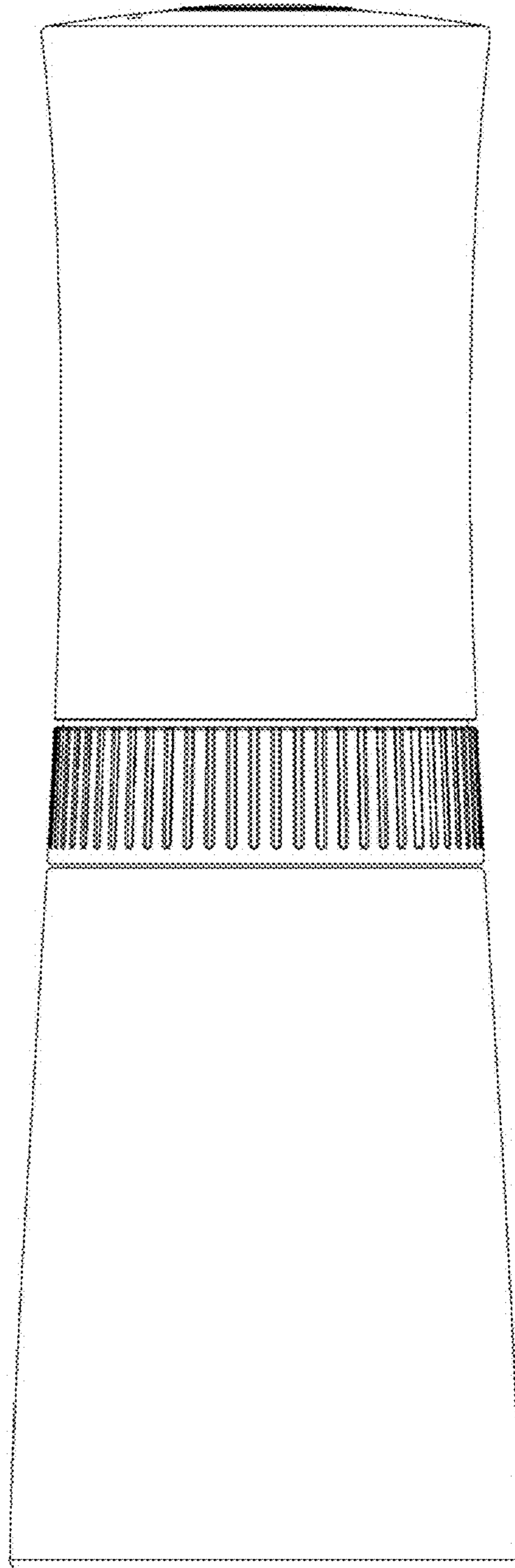
1.1



1.2



1.3



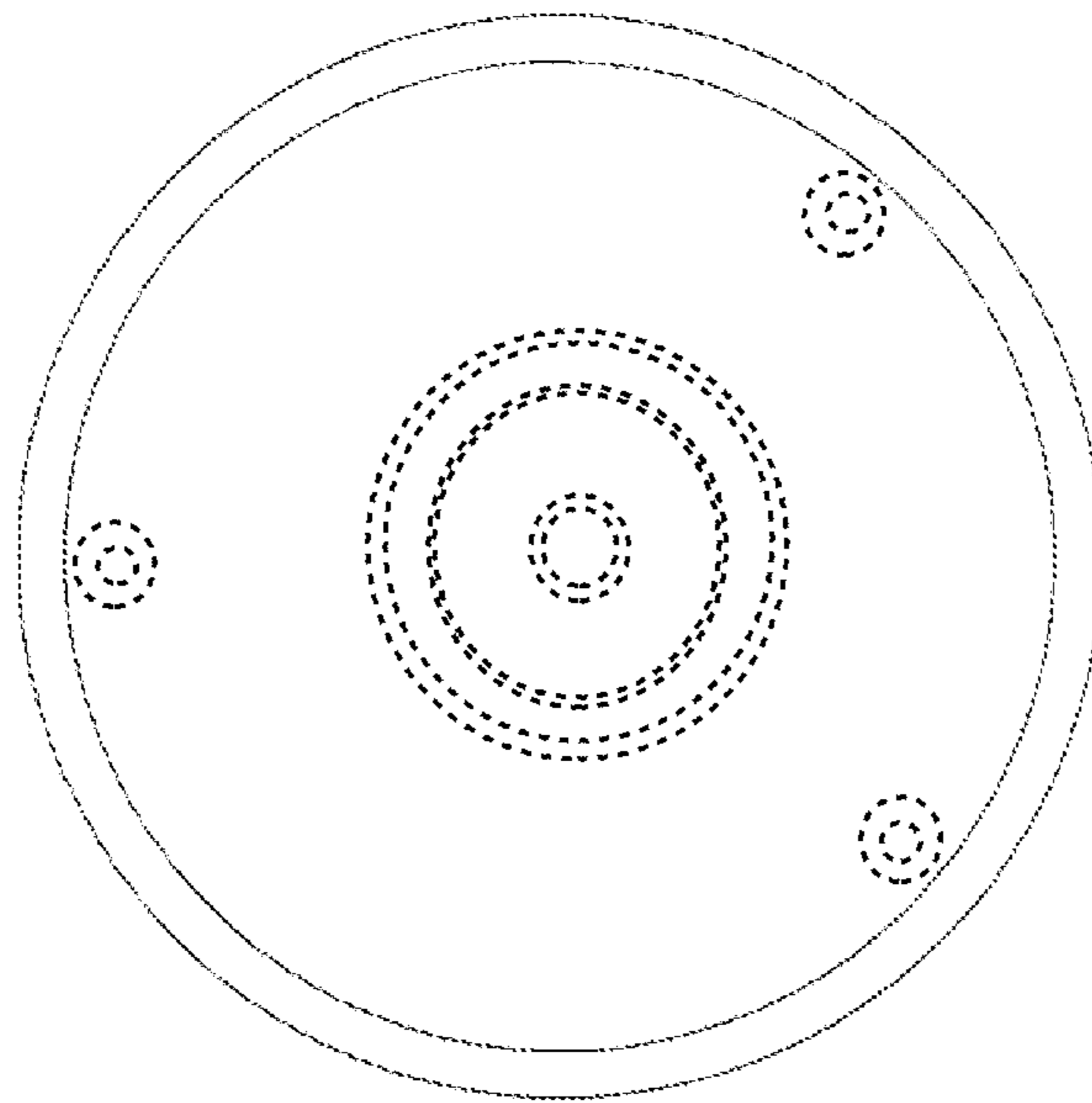


FIG. 1.4