



US00D913754S

(12) **United States Design Patent**
Feng

(10) **Patent No.:** **US D913,754 S**

(45) **Date of Patent:** **** Mar. 23, 2021**

(54) **FRUIT/VEGETABLE KEEPER**
(71) Applicant: **Shengli Feng**, Taizhou (CN)
(72) Inventor: **Shengli Feng**, Taizhou (CN)
(**) Term: **15 Years**

D573,015 S * 7/2008 Chen D9/425
D630,506 S * 1/2011 Short D9/427
8,328,039 B2 * 12/2012 Short B65D 81/263
220/324
D682,086 S * 5/2013 Riley D9/418
D688,363 S * 8/2013 Dios D23/359
D816,997 S * 5/2018 Turner D3/304
D893,292 S * 8/2020 Lam B65D 21/0233
D9/425

(21) Appl. No.: **29/701,823**

* cited by examiner

(22) Filed: **Aug. 15, 2019**

Primary Examiner — Susan E Krakower

Assistant Examiner — Andrew Kerr

(30) **Foreign Application Priority Data**

Jul. 22, 2019 (CN) 201930389497.4

(74) *Attorney, Agent, or Firm* — Bayramoglu Law Offices LLC

(51) **LOC (13) Cl.** **07-07**

(57) **CLAIM**

(52) **U.S. Cl.**
USPC **D7/602**

The ornamental design for a fruit/vegetable keeper, as shown and described.

(58) **Field of Classification Search**
USPC D7/601, 602, 629, 630, 701, 703, 705,
D7/706, 708, 354, 357, 396.1; D9/414,
D9/430, 432
CPC B65D 1/26; B65D 1/40; B65D 81/3453;
B65D 2581/34; B65D 2581/3437
See application file for complete search history.

DESCRIPTION

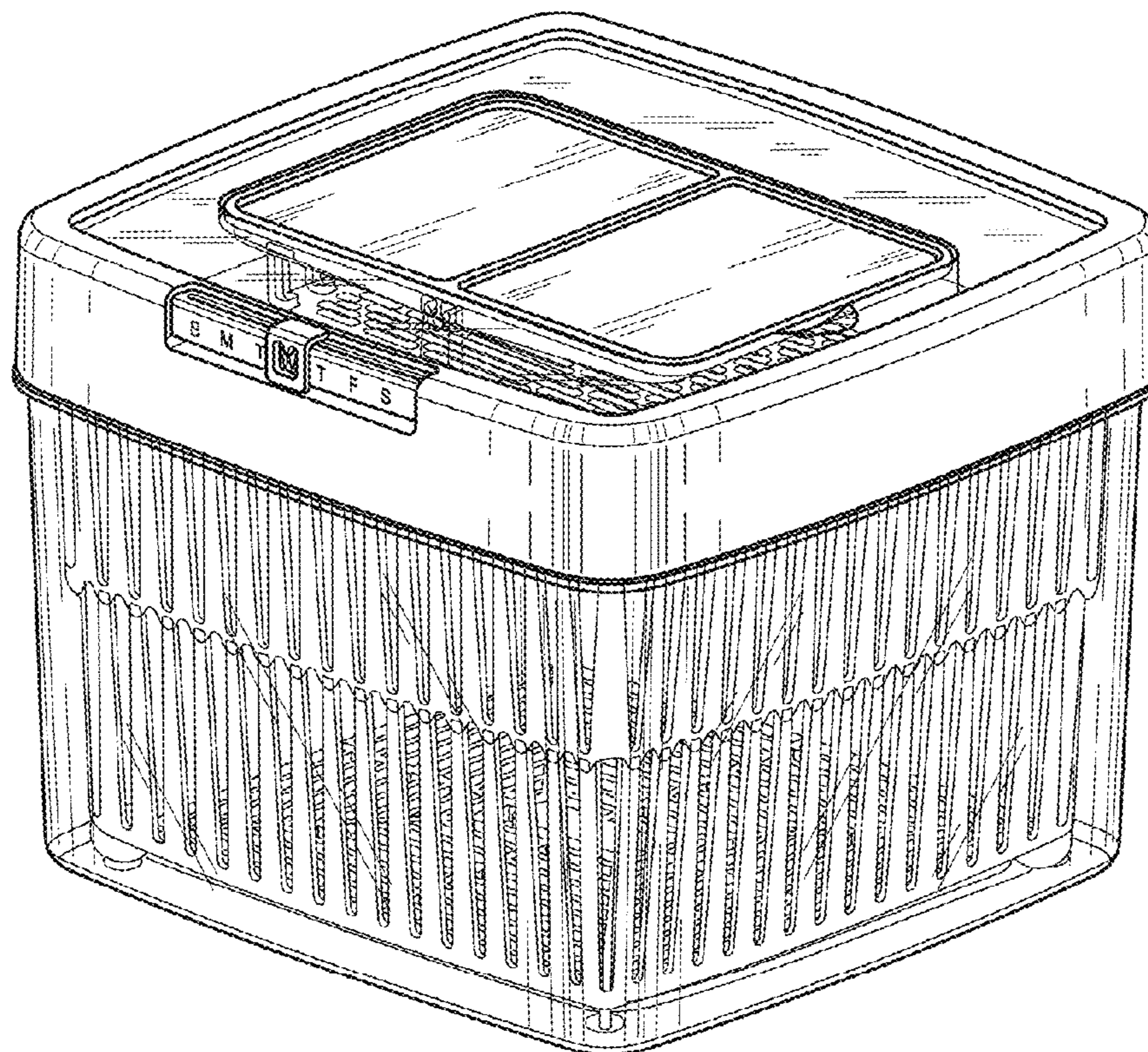
(56) **References Cited**

U.S. PATENT DOCUMENTS

5,046,659 A * 9/1991 Warburton B65D 43/162
220/4.22
D398,448 S * 9/1998 Zanni D3/312
D450,925 S * 11/2001 Zamecnik D3/302

FIG. 1 is a perspective view of a fruit/vegetable keeper showing my new design;
FIG. 2 is a front elevational view thereof;
FIG. 3 is a rear elevational view thereof;
FIG. 4 is a left side elevational view thereof;
FIG. 5 is a top plan view thereof;
FIG. 6 is a bottom plan view thereof; and,
FIG. 7 is an exploded view thereof.
A right side elevational view is omitted since the right side elevational view is identical to the left elevational view.

1 Claim, 7 Drawing Sheets



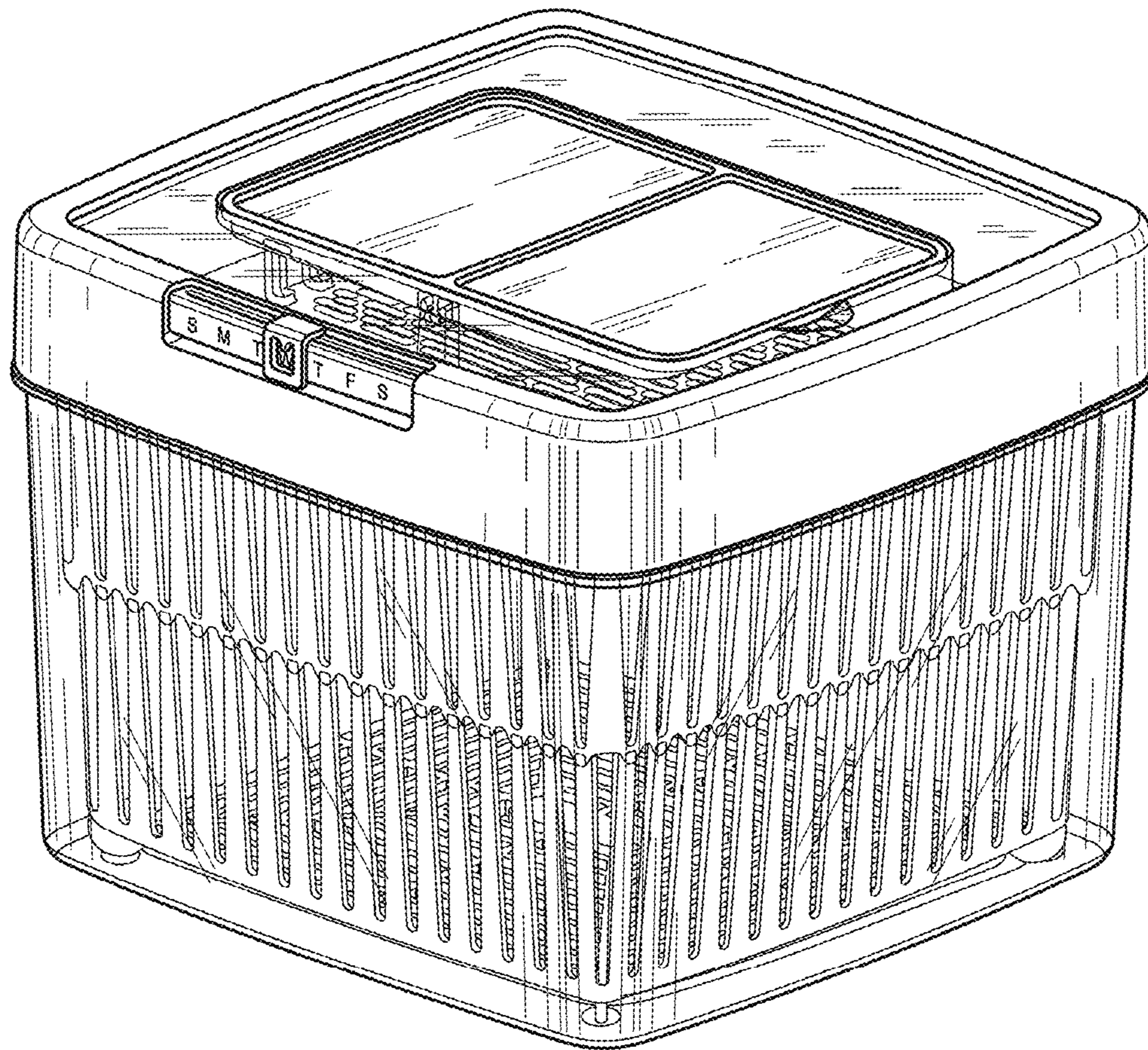


Fig. 1

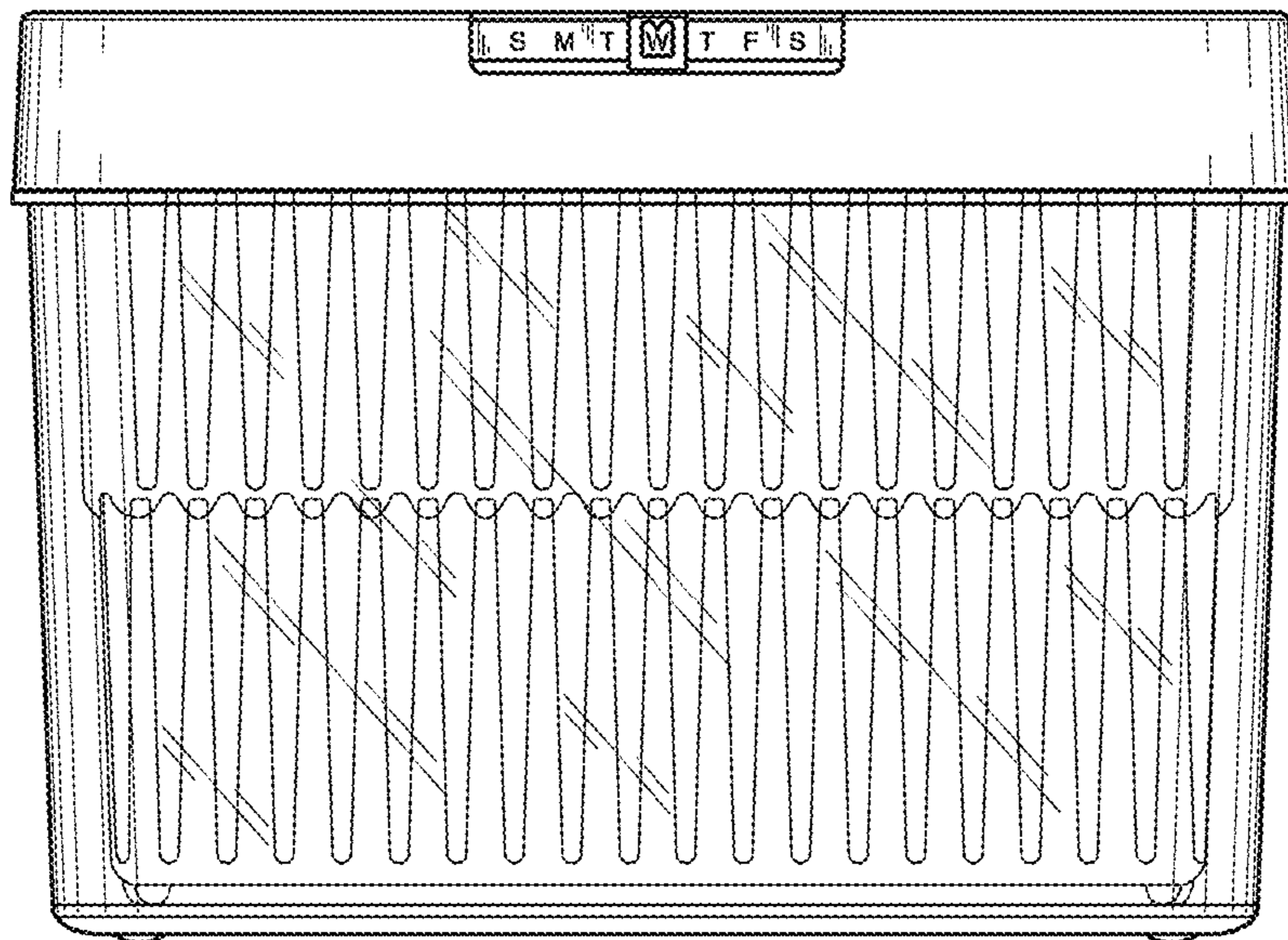


Fig. 2

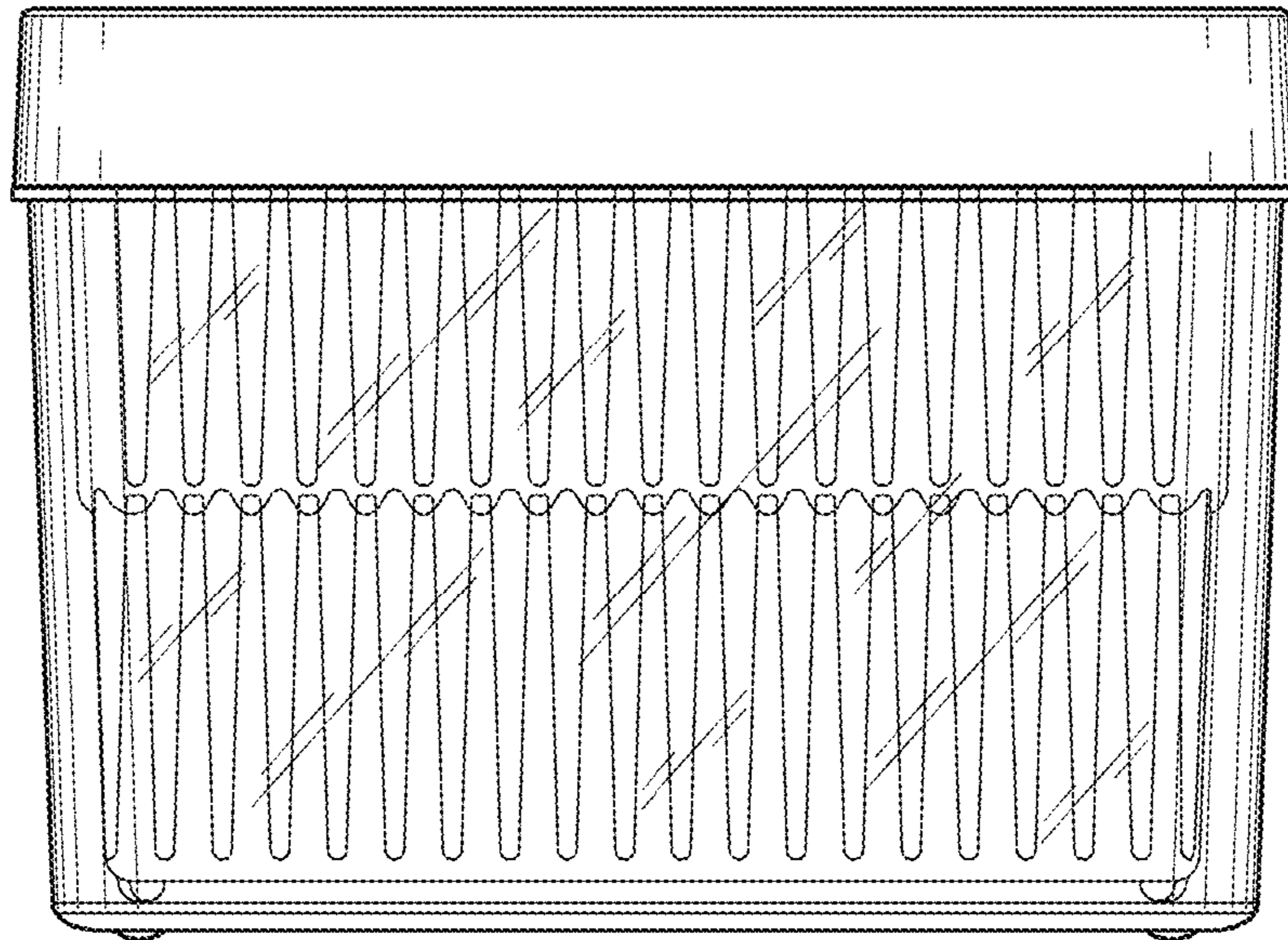


Fig. 3

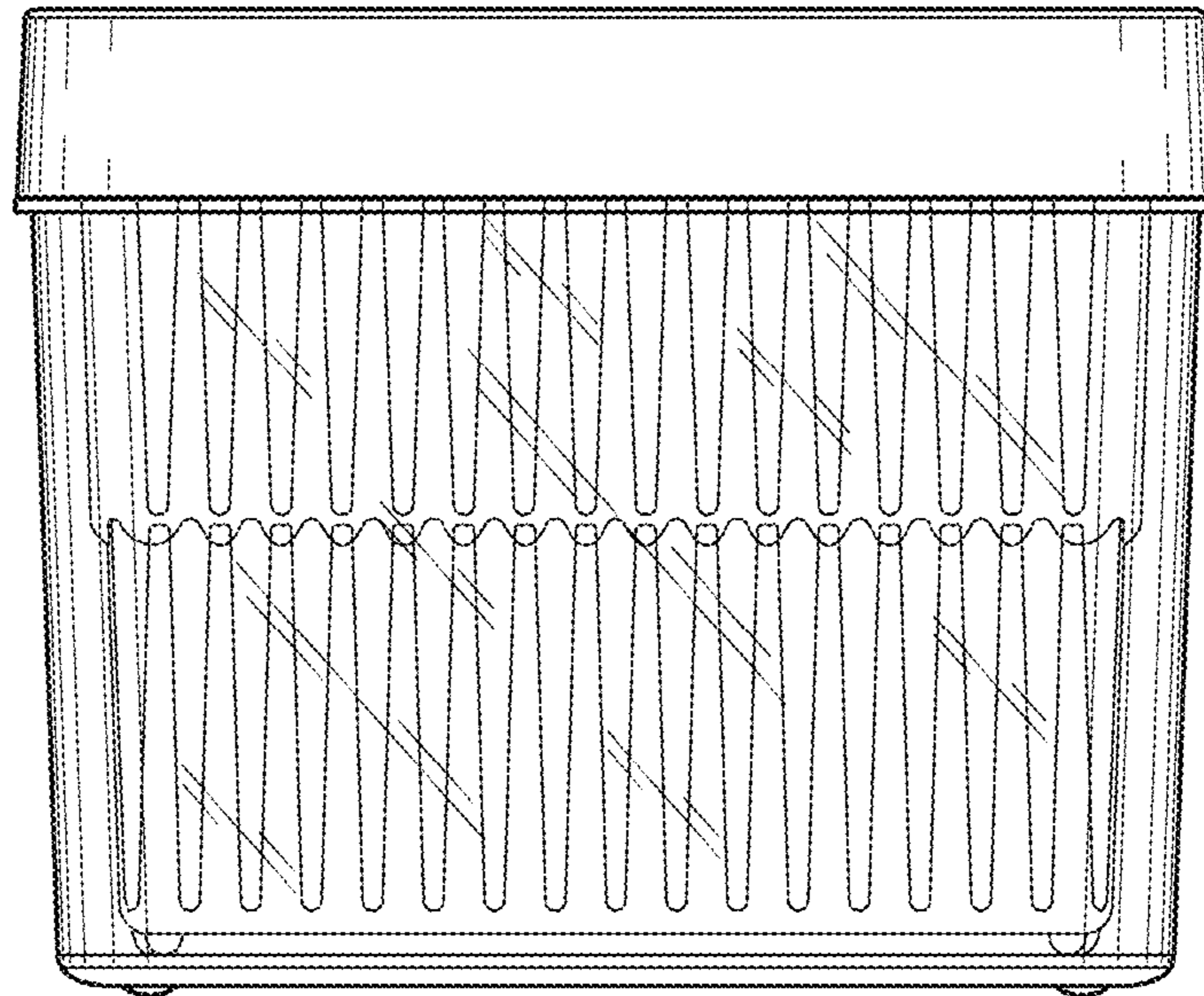


Fig. 4

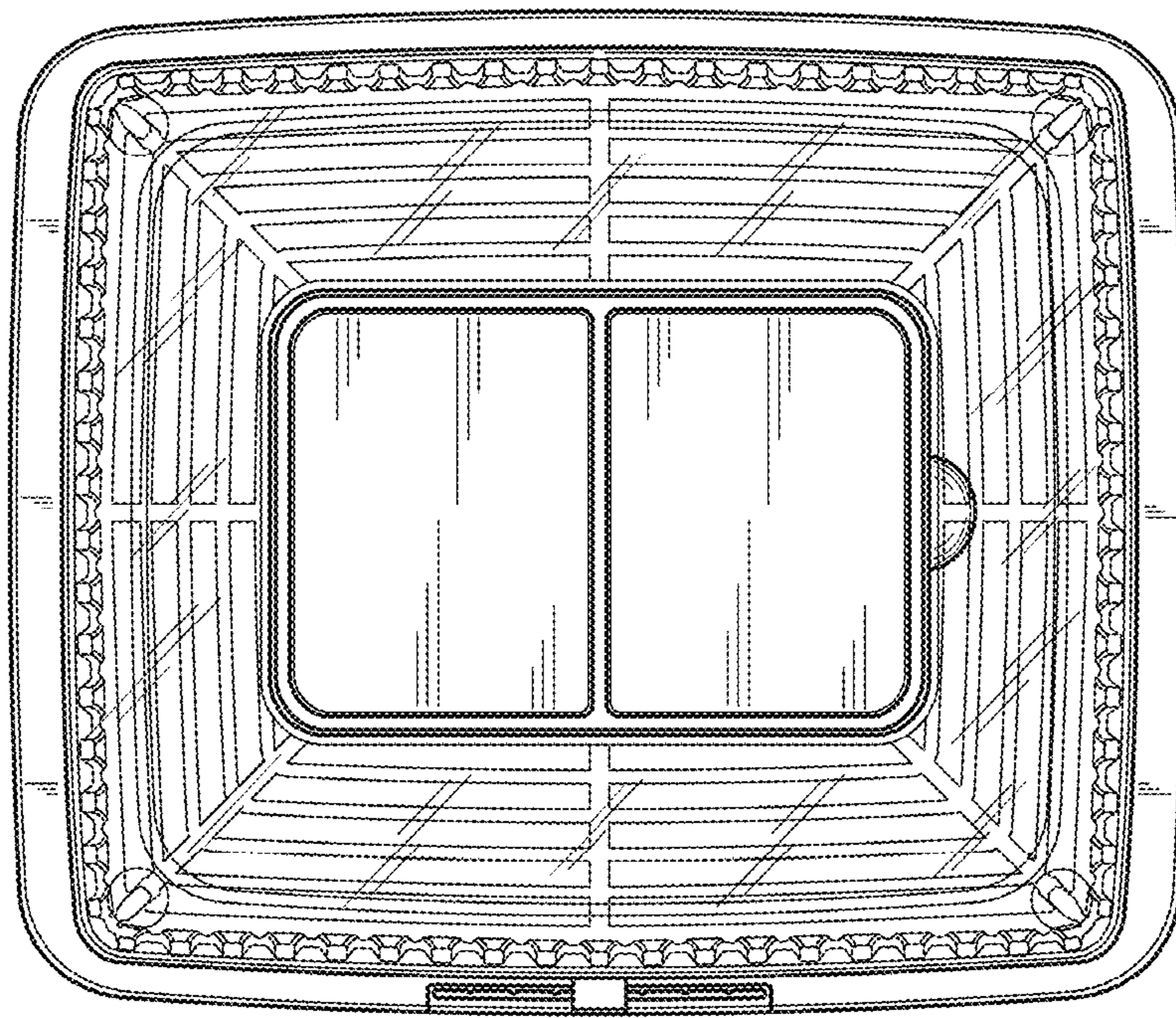


Fig. 5

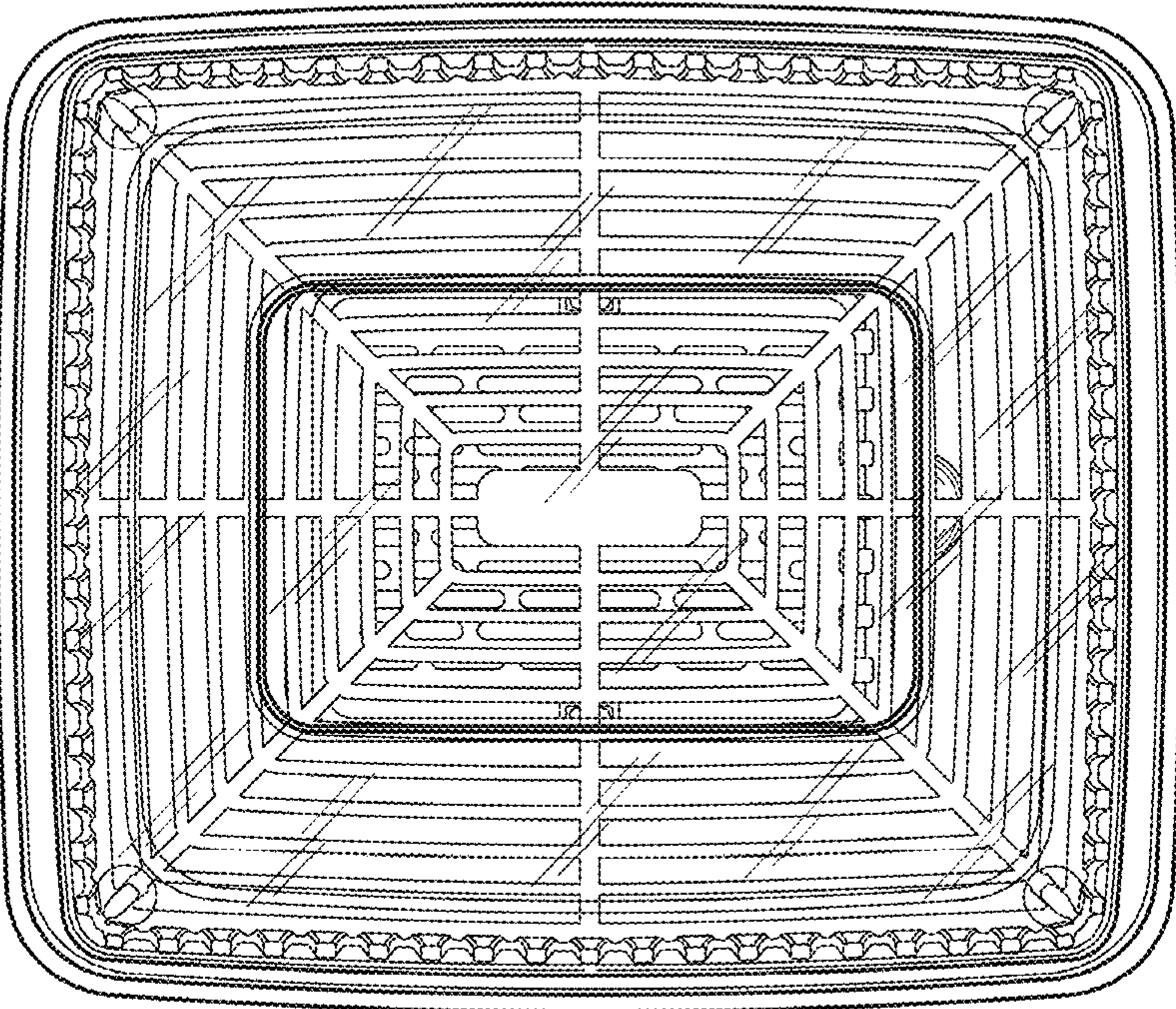


Fig. 6

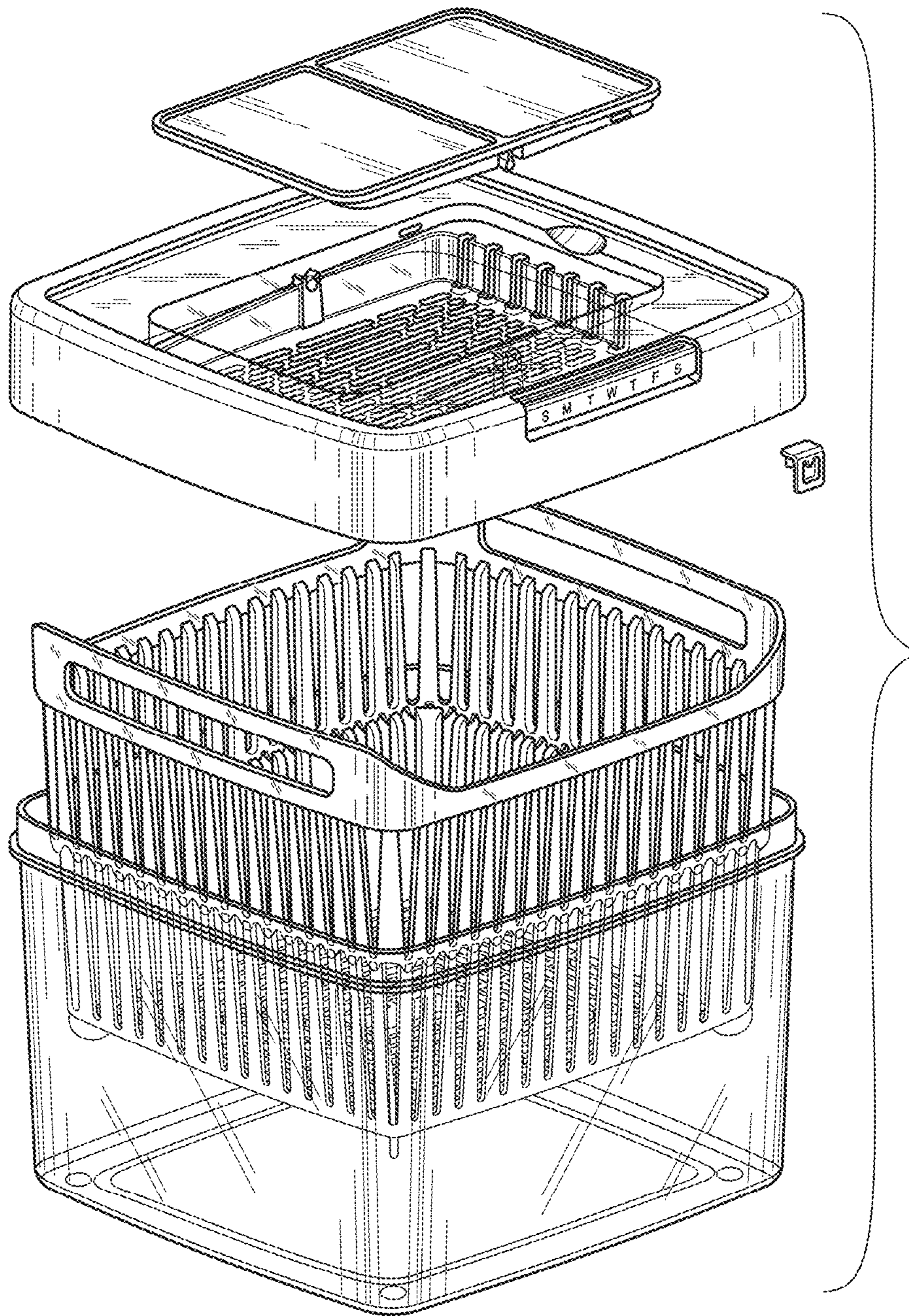


Fig. 7