



US00D913753S

(12) **United States Design Patent**
Zheng

(10) **Patent No.:** **US D913,753 S**

(45) **Date of Patent:** **** Mar. 23, 2021**

(54) **SPICE RACK**

(71) Applicant: **Haoran Zheng**, Xuzhou (CN)

(72) Inventor: **Haoran Zheng**, Xuzhou (CN)

(**) Term: **15 Years**

(21) Appl. No.: **29/747,021**

(22) Filed: **Aug. 19, 2020**

(51) **LOC (13) Cl.** **07-99**

(52) **U.S. Cl.**
USPC **D7/600.1**

(58) **Field of Classification Search**
USPC D7/590, 592–597, 600.1–600.2, 602,
D7/630–632, 635, 640, 704–705, 707;
D6/520, 524–525, 534–535, 537, 546,
D6/556, 566, 677.2, 692.4–692.5, 696.3;
D9/737–739, 741, 747, 751, 756–758,
D9/761; D8/71, 373; 206/202, 513;
211/135, 182
CPC A47F 5/01; A47F 7/0064; A47L 19/04;
F16M 11/00; A47B 55/02; A47K 1/09
See application file for complete search history.

(56) **References Cited**

U.S. PATENT DOCUMENTS

- D157,024 S * 1/1950 Bacco et al. D6/682.2
- D169,077 S * 3/1953 Mains, Jr. D6/682.2
- D219,058 S * 10/1970 Kaczur D7/701
- 3,949,930 A * 4/1976 Giordano B65D 5/48014
206/562
- 4,053,099 A * 10/1977 Lock B65D 71/72
206/562
- D253,802 S * 1/1980 Loud D6/682.2
- D255,520 S * 6/1980 Lyons D6/682.2
- 4,378,889 A * 4/1983 Lebowitz A47J 47/16
211/74
- D273,647 S * 5/1984 Kandarian D6/570
- D297,111 S * 8/1988 Thompson D8/373
- D303,900 S * 10/1989 Ancona D7/600.2

- D316,790 S * 5/1991 Robbins D6/567
 - 5,025,936 A * 6/1991 Lamoureaux A47B 73/006
211/74
 - 5,036,989 A * 8/1991 Carilli B01L 9/06
211/74
 - D325,849 S * 5/1992 Melcher D6/682.2
- (Continued)

FOREIGN PATENT DOCUMENTS

- CN 303735392 * 7/2016
- CN 305833115 * 6/2020

(Continued)

OTHER PUBLICATIONS

Rustic Farmhouse Holder for K-Cups, Gianna's Home, amazon.com, posted by Gianna's Home on Aug. 29, 2018 © 1996-2020 Amazon.com, Inc., online, site visited Oct. 21, 2020. Available from Internet, URL: <https://www.amazon.com/Giannas-Home-Farmhouse-Distressed-Capacity/dp/B07GXZ5ZNB> (Year: 2018).*

Primary Examiner — Marissa J Cash
Assistant Examiner — Altaira J Swangin
(74) *Attorney, Agent, or Firm* — Rumit Ranjit Kanakia

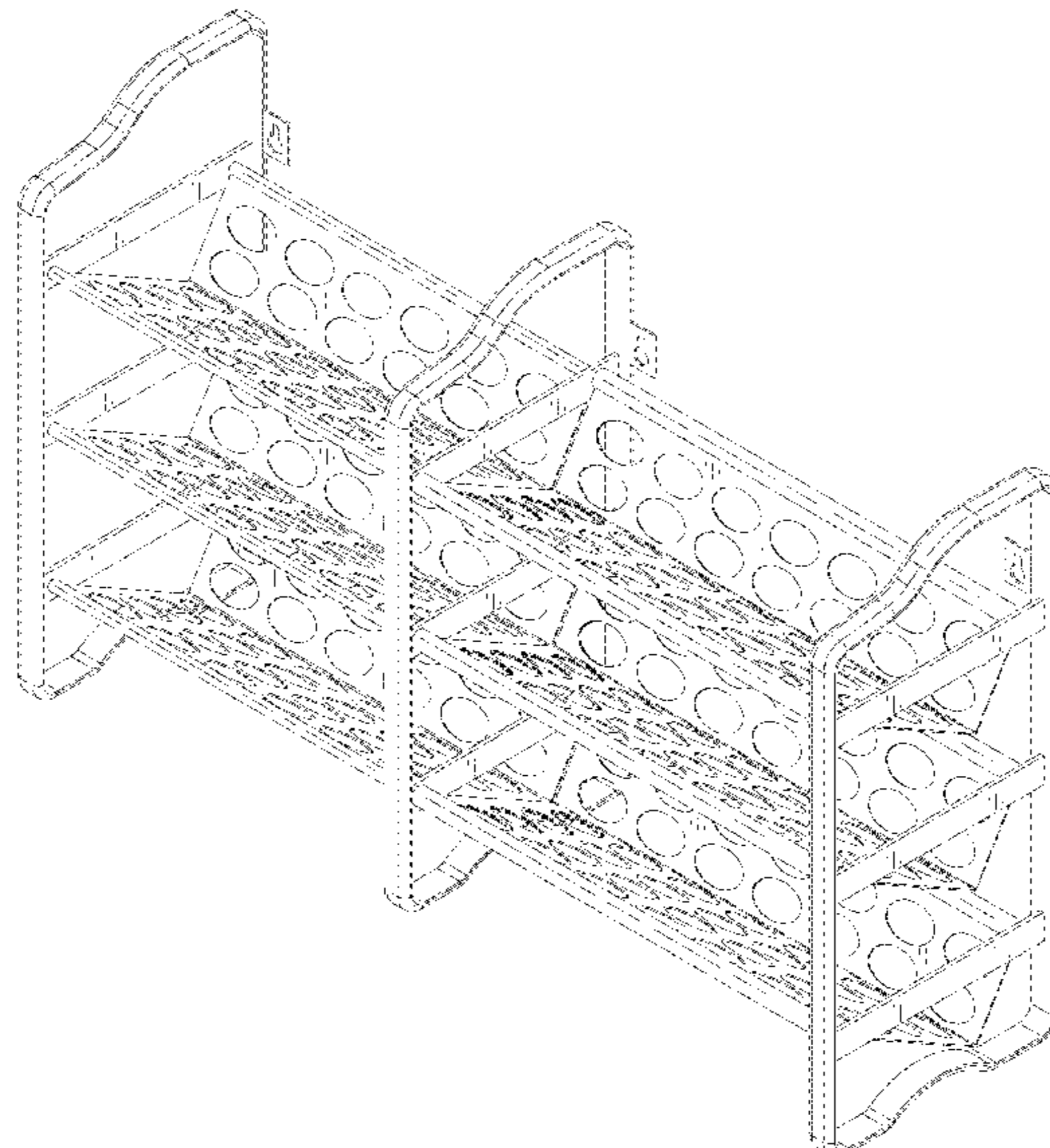
(57) **CLAIM**

I claim the ornamental design for a spice rack, as shown and described.

DESCRIPTION

FIG. 1 is a Perspective view of a spice rack showing my new design;
FIG. 2 is a Front view thereof;
FIG. 3 is a Back view thereof;
FIG. 4 is a Right-side view thereof;
FIG. 5 is a Left-side view thereof;
FIG. 6 is a Top view thereof; and,
FIG. 7 is a Bottom view thereof.

1 Claim, 7 Drawing Sheets



(56)

References Cited

U.S. PATENT DOCUMENTS

5,129,528 A * 7/1992 Eidsmoe B25H 3/003
211/69
D336,802 S * 6/1993 Eidsmoe D19/75
D399,710 S * 10/1998 Brown D7/708
D401,483 S * 11/1998 Porcelli D7/600.2
D408,694 S * 4/1999 Tisdale D7/600.2
D414,991 S * 10/1999 Brown D7/701
D458,092 S * 6/2002 Rumpf D6/574
D478,756 S * 8/2003 Hood D6/534
D498,982 S 11/2004 Hockey
D509,691 S * 9/2005 Doran D6/571
D513,596 S * 1/2006 Hamblin D24/230
D515,941 S * 2/2006 Hamblin D24/230
D515,942 S * 2/2006 Hamblin D24/230
D519,387 S * 4/2006 Liukko D9/756
D526,169 S * 8/2006 Zafropoulos D7/705
D526,533 S * 8/2006 Burnett D7/401
D528,876 S * 9/2006 King D7/701
D568,697 S * 5/2008 Allen D7/708
7,506,771 B2 * 3/2009 Bianchini A47B 73/00
211/75
D590,183 S * 4/2009 Hensel D6/672
D602,314 S * 10/2009 Stravitz D7/701
D620,728 S * 8/2010 Snider A47J 31/44
D7/600.1
D634,979 S * 3/2011 Tiemann A47J 31/44
D7/600.4
D635,405 S * 4/2011 Tiemann A47J 47/16
D7/600.4
8,061,538 B2 * 11/2011 Seldon A47B 73/00
211/74
D650,636 S 12/2011 Roth
D661,952 S * 6/2012 Tiemann D7/600.1
D673,821 S * 1/2013 Weber D7/701
8,403,156 B1 * 3/2013 Boone A47B 81/007
211/75

8,640,889 B2 * 2/2014 Gasper A47F 5/0823
211/74
D712,205 S * 9/2014 Yoder D7/600.1
D739,680 S * 9/2015 Smeja D7/600.1
D739,681 S * 9/2015 Bee D7/600.4
D760,033 S * 6/2016 Khaitan D7/600.4
D785,428 S * 5/2017 Friesen D8/71
D786,029 S * 5/2017 Pannell D7/708
D802,370 S * 11/2017 Tsai D7/600.4
D817,105 S * 5/2018 Stuart D7/600.1
10,080,432 B2 * 9/2018 Turano B44D 3/123
D846,359 S * 4/2019 Ray D7/631
D858,021 S * 8/2019 Li D32/55
D871,924 S * 1/2020 Vanderwell D9/755
D873,081 S 1/2020 Goodman et al.
2002/0153340 A1 * 10/2002 Denny B65G 1/02
211/189
2006/0169602 A1 * 8/2006 Woog F25D 3/08
206/141
2006/0278559 A1 * 12/2006 Hamblin B65D 71/72
206/562
2008/0251475 A1 * 10/2008 Lambert A47K 1/09
211/65
2010/0127058 A1 * 5/2010 Bates B65D 71/004
229/117.13
2012/0201644 A1 * 8/2012 Wilder A47J 47/16
414/800
2015/0305594 A1 * 10/2015 Jarl A47B 77/02
211/41.5
2018/0027962 A1 * 2/2018 Benz A47G 23/0241
2019/0177031 A1 * 6/2019 Vanderwell B42D 5/047

FOREIGN PATENT DOCUMENTS

CN 305841418 * 6/2020
KR 301028195-0000 * 10/2019

* cited by examiner

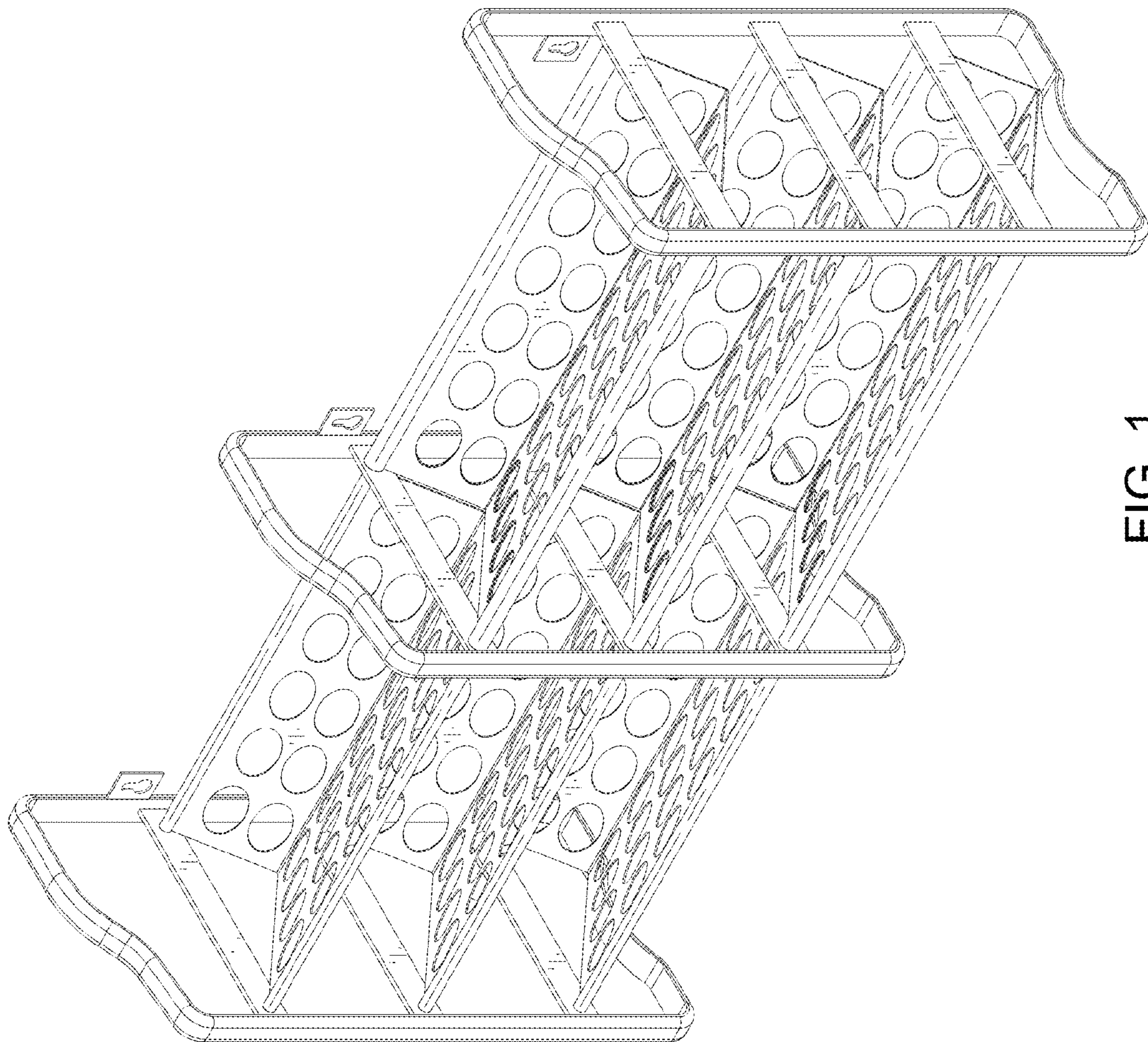


FIG. 1

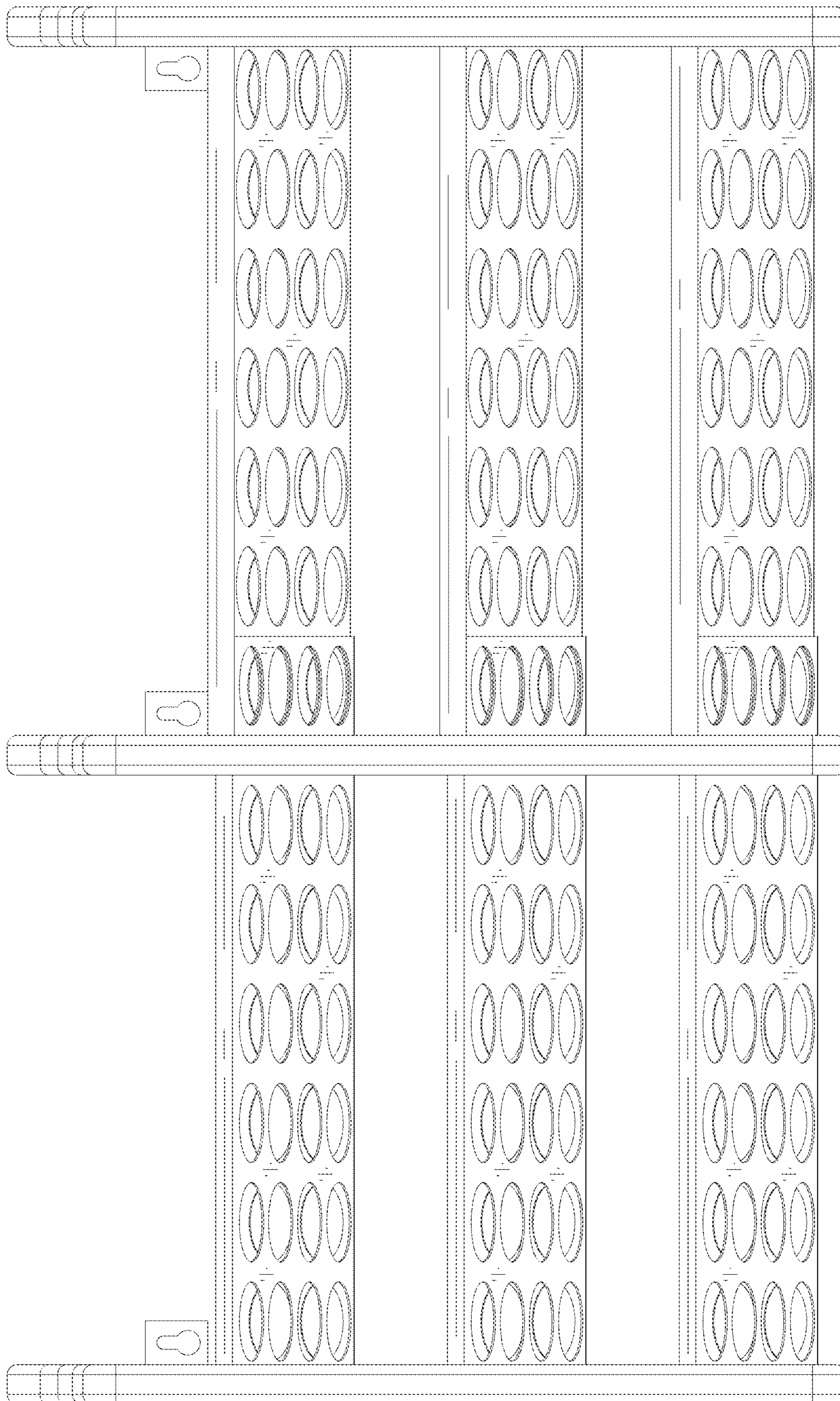


FIG. 2

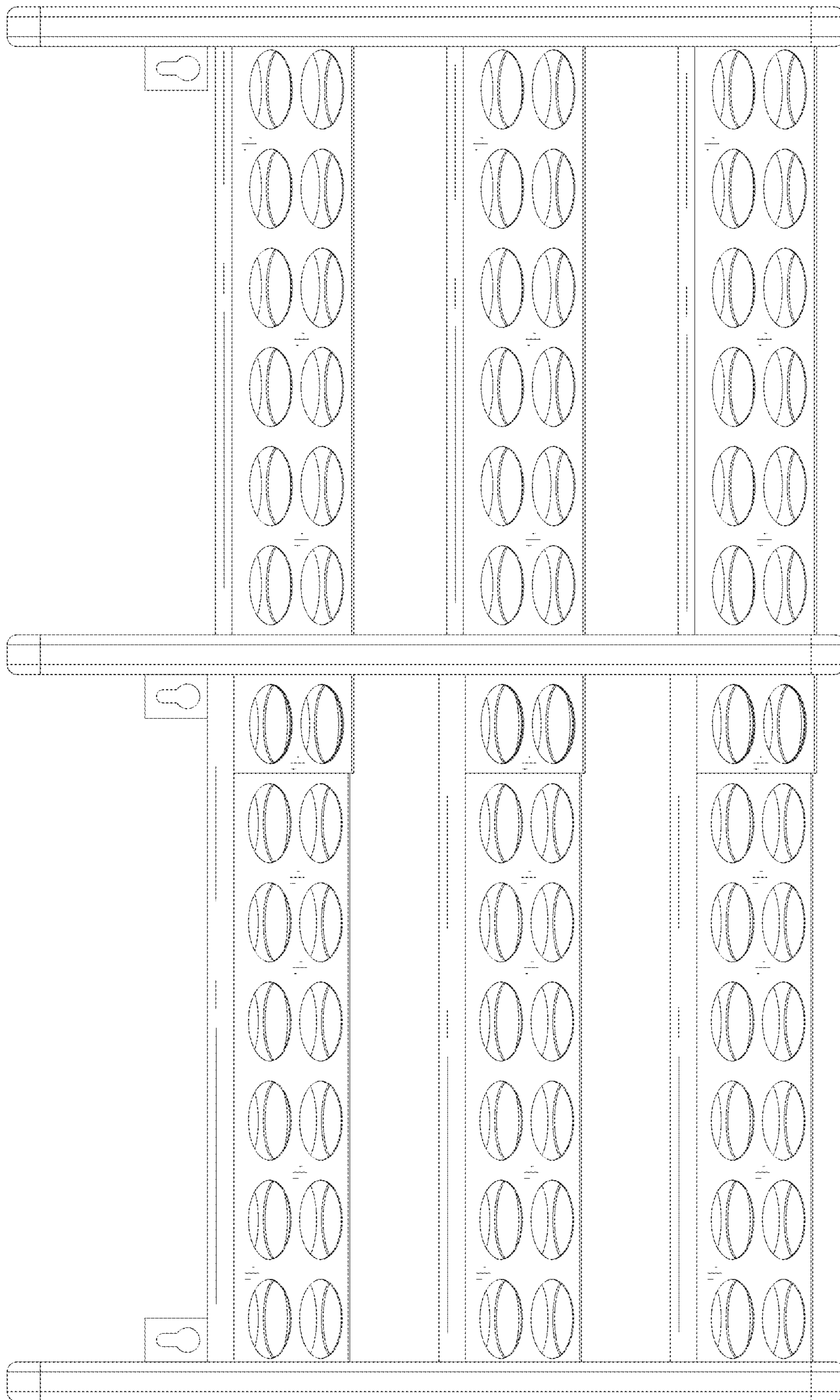


FIG. 3

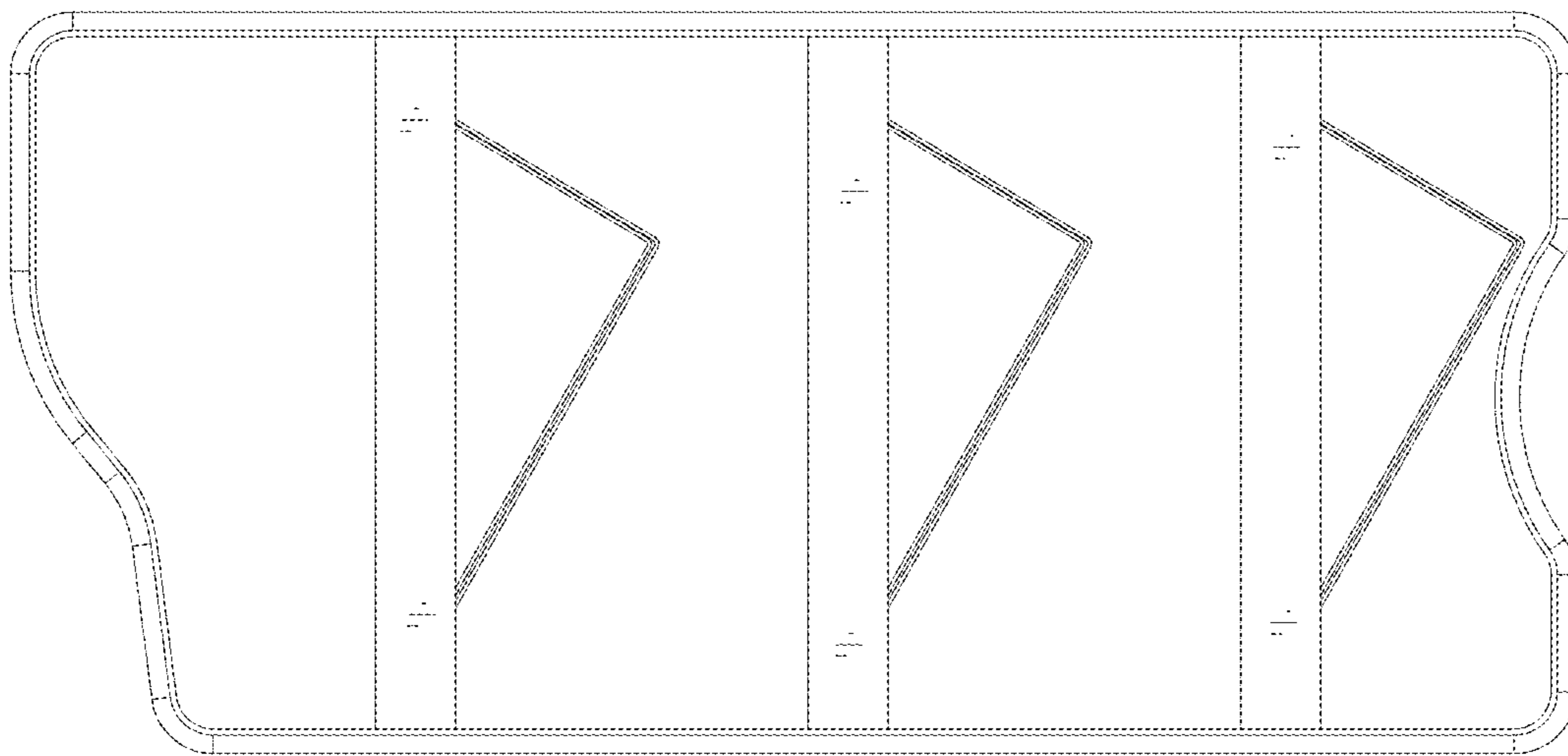


FIG. 4

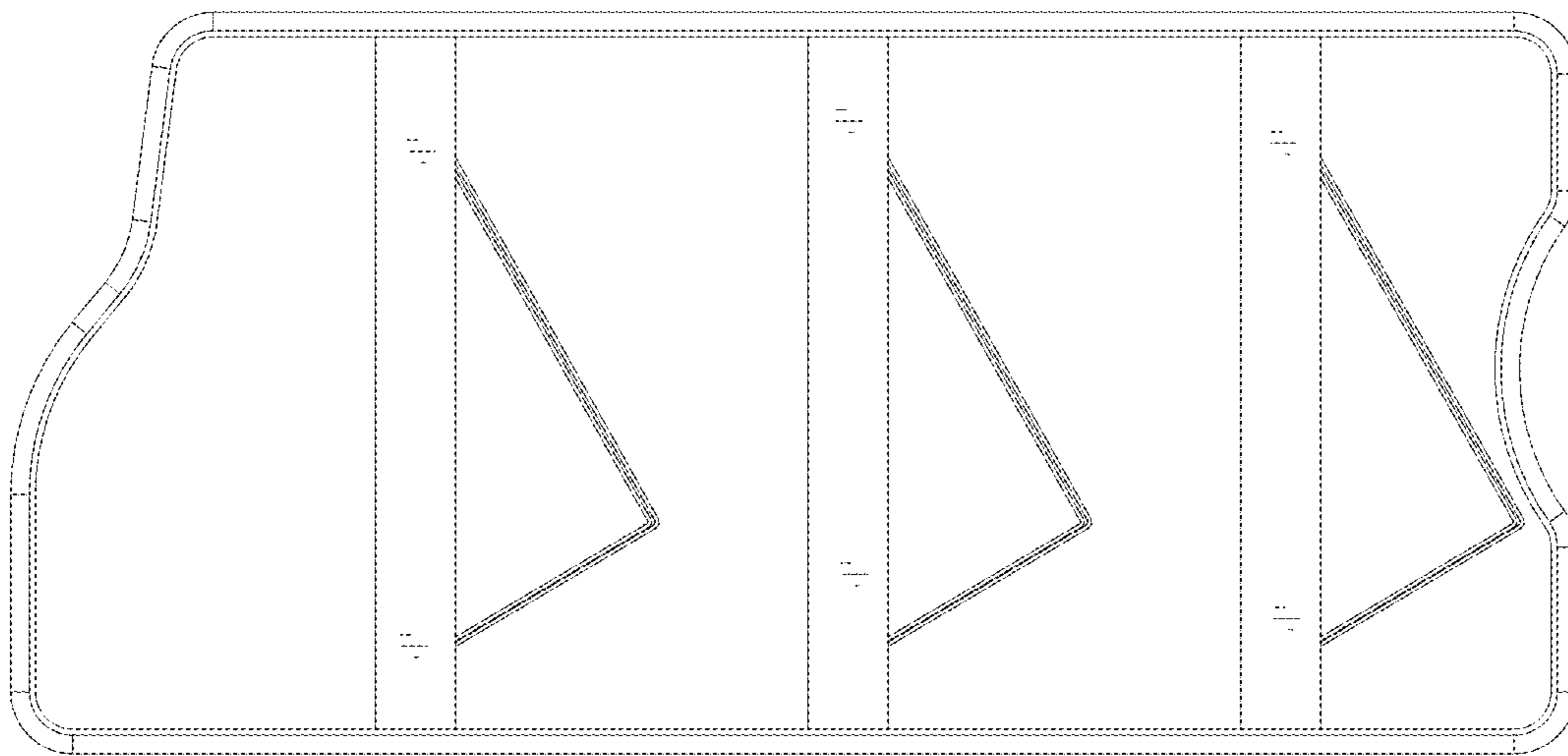


FIG. 5

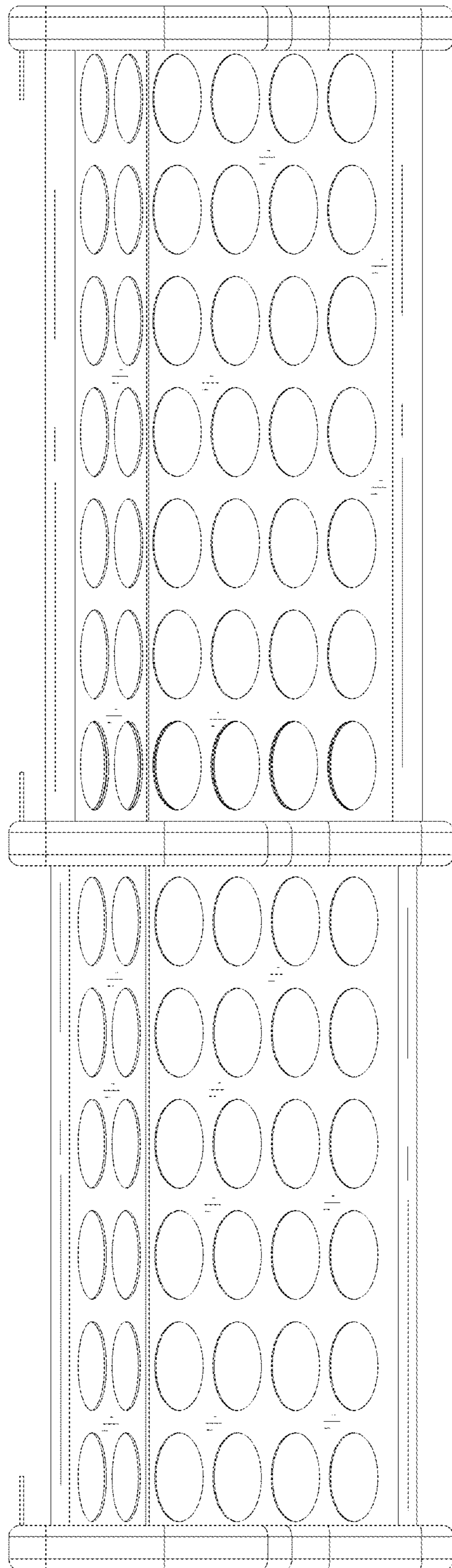


FIG. 6

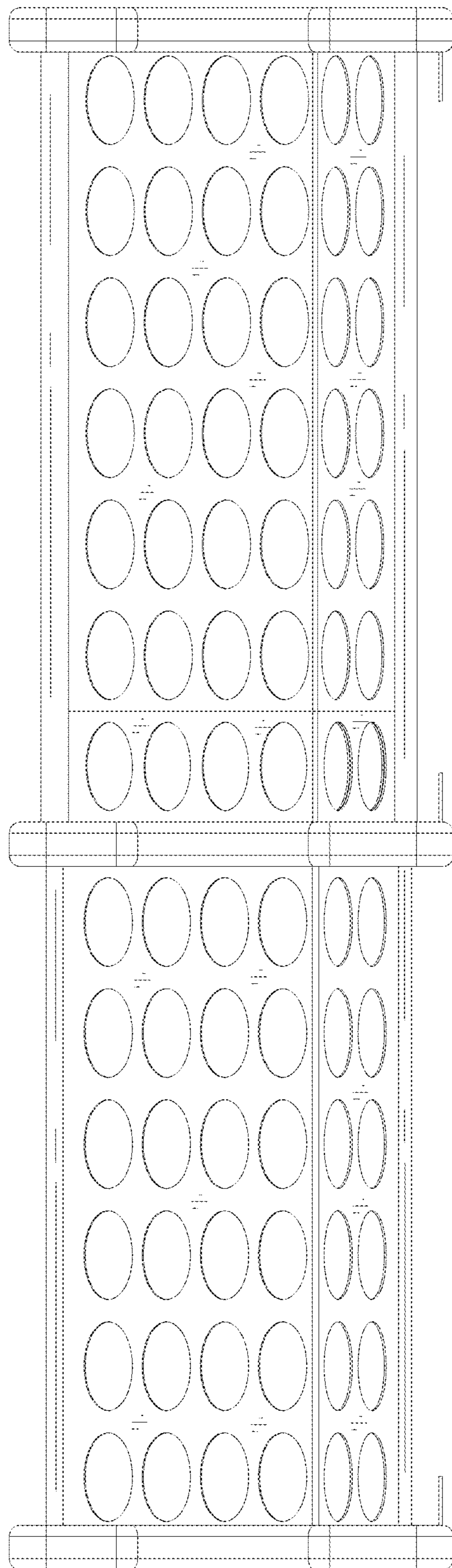


FIG. 7