



US00D913750S

(12) **United States Design Patent**
Toumayan

(10) **Patent No.:** **US D913,750 S**
(45) **Date of Patent:** **** Mar. 23, 2021**

(54) **COMBINED POP HANDLE AND CONTAINER**

- (71) Applicant: **MISAINÉ TRADE, INC.**, Torrance, CA (US)
- (72) Inventor: **Hratch Toumayan**, Rolling Hills Estates, CA (US)
- (73) Assignee: **Misaine Trade, Inc.**, Torrance, CA (US)
- (**) Term: **15 Years**
- (21) Appl. No.: **29/677,197**
- (22) Filed: **Jan. 17, 2019**
- (51) **LOC (13) Cl.** **07-01**
- (52) **U.S. Cl.**
USPC **D7/533**
- (58) **Field of Classification Search**
USPC D7/507, 523, 535, 533, 624.1, 624.2, D7/608; D12/415; D14/252
CPC B65D 1/265; B65D 3/06; A47G 19/23; A47G 19/2205; A47G 19/22; A45F 5/00
See application file for complete search history.

(56) **References Cited**

U.S. PATENT DOCUMENTS

1,999,878 A	4/1935	Bombard	
D144,905 S *	6/1946	Cameron	D7/535
3,051,365 A	8/1962	Sayford, Jr.	
3,100,363 A	8/1963	Staver	
3,262,421 A	7/1966	Staver	
3,697,111 A	10/1972	Thompson	
4,214,785 A	7/1980	Broch	
4,230,235 A	10/1980	Di Amico	
5,011,316 A	4/1991	Damon	
5,467,915 A	11/1995	Mattson	

(Continued)

FOREIGN PATENT DOCUMENTS

DE	202017001222 U1	5/2017
DE	202017004562 U1	11/2017

OTHER PUBLICATIONS

US 8,079,565 B2, 12/2011, Weiss-vons (withdrawn)
Primary Examiner — Terry A Wallace
 (74) *Attorney, Agent, or Firm* — Knobbe Martens Olson & Bear LLP

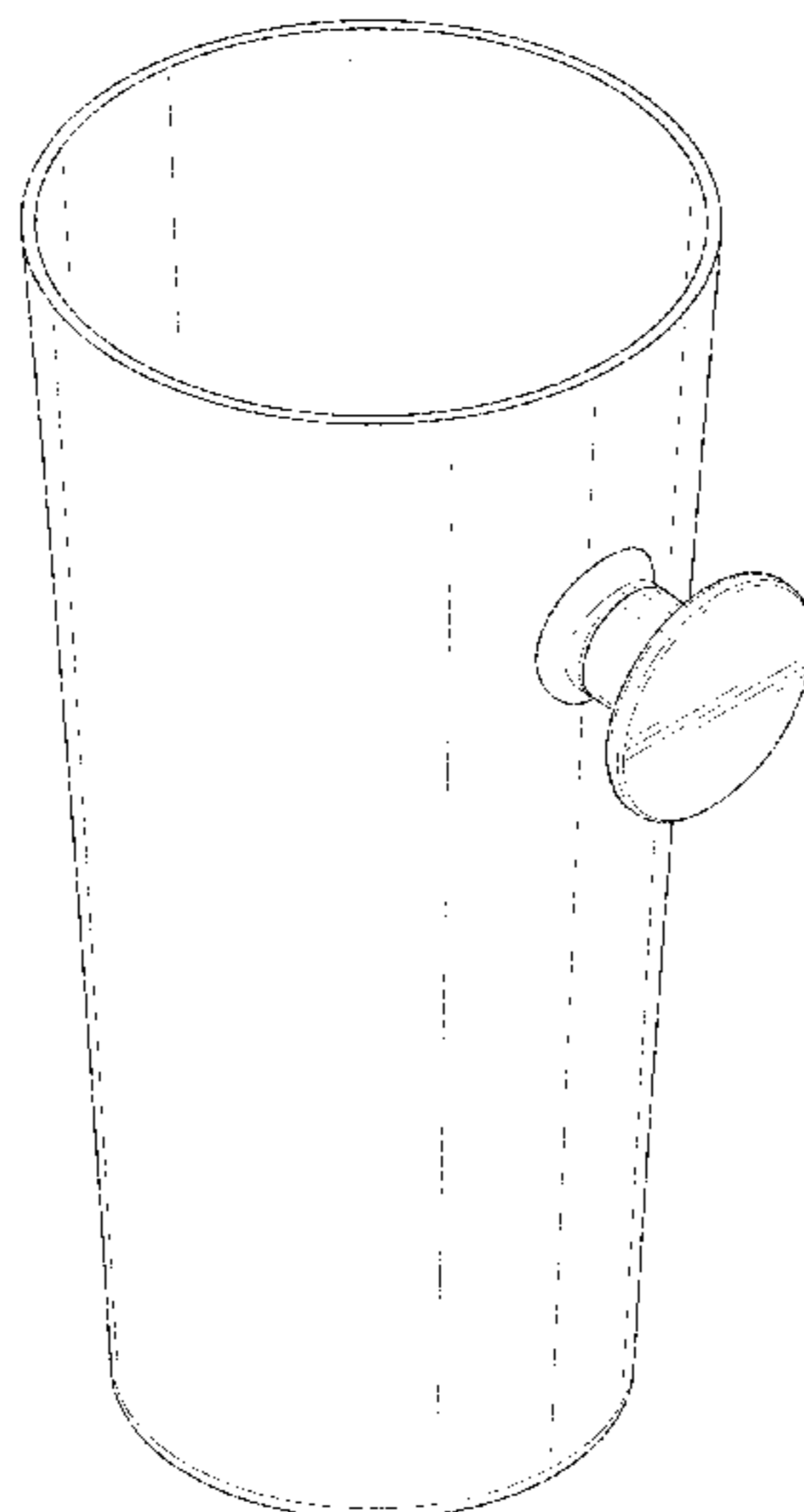
(57) **CLAIM**

The ornamental design for a combined pop handle and container, as shown and described.

DESCRIPTION

FIG. 1 is a front perspective view of a combined pop handle and container showing my new design.
 FIG. 2 is a front perspective view thereof, the broken lines showing a heart are for illustrative purposes only and form no part of the claimed design.
 FIG. 3 is a rear perspective view thereof.
 FIG. 4 is a front view thereof.
 FIG. 5 is a rear view thereof.
 FIG. 6 is a left side view thereof.
 FIG. 7 is a right side view thereof.
 FIG. 8 is a top plan view thereof.
 FIG. 9 is a bottom plan view thereof.
 FIG. 10 is a front perspective view of an alternate embodiment of FIG. 1.
 FIG. 11 is a rear perspective view of FIG. 10.
 FIG. 12 is a front view of FIG. 10.
 FIG. 13 is a rear view of FIG. 10.
 FIG. 14 is a left side view of FIG. 10.
 FIG. 15 is a right side view of FIG. 10.
 FIG. 16 is a top plan view of FIG. 10; and,
 FIG. 17 is a bottom plan view of FIG. 10.
 The broken lines disclosing the environment related to the claimed design and the surface treatment are for illustrative purposes only, and form no part of the claimed design.

1 Claim, 17 Drawing Sheets



(56)

References Cited

U.S. PATENT DOCUMENTS

5,647,624 A 7/1997 Beshara, Jr.
 5,951,076 A 9/1999 Marco
 D552,930 S * 10/2007 Huffman D7/523
 7,600,655 B2 10/2009 Agrawal et al.
 D613,291 S 4/2010 Carver
 7,992,766 B2 8/2011 Seo
 D647,085 S 10/2011 Chung et al.
 8,186,642 B2 5/2012 Weiss-vons
 D681,420 S 5/2013 Ilevov et al.
 8,560,031 B2 10/2013 Barnett et al.
 8,672,374 B1 3/2014 Webber
 8,714,386 B2 5/2014 Sasaki et al.
 8,737,066 B1 5/2014 Block et al.
 8,844,098 B2 9/2014 Karmatz
 8,887,970 B2 11/2014 Tsai et al.
 9,010,558 B2 4/2015 Sasaki et al.
 D733,147 S 6/2015 Stevens et al.
 9,227,762 B2 1/2016 Sasaki et al.
 D749,069 S 2/2016 Senoff et al.
 D749,083 S 2/2016 Senoff et al.
 D749,559 S 2/2016 Senoff et al.
 9,300,346 B2 3/2016 Hirsch
 9,486,910 B2 11/2016 Stevens et al.
 D777,022 S 1/2017 Barnett
 9,647,714 B2 5/2017 Hirsch

D790,919 S * 7/2017 Moser D7/507
 D794,607 S 8/2017 Srour
 D799,468 S * 10/2017 Chen D14/253
 9,800,703 B2 10/2017 Roux
 D801,751 S * 11/2017 Merten D7/536
 D804,900 S * 12/2017 Choe D7/509
 9,958,107 B1 5/2018 Hobbs et al.
 D823,032 S * 7/2018 Cailleton D7/300
 D823,033 S * 7/2018 Cailleton D7/300
 D823,034 S * 7/2018 Cailleton D7/300
 D857,450 S * 8/2019 Wolfgram D7/396.2
 2003/0089725 A1 * 5/2003 Kang A47G 19/065
 220/703
 2006/0090300 A1 5/2006 Kim
 2011/0084081 A1 4/2011 Chung et al.
 2012/0043452 A1 2/2012 Karmatz
 2012/0104185 A1 5/2012 Carroll
 2012/0118770 A1 5/2012 Valls et al.
 2012/0228346 A1 9/2012 Huang
 2013/0140837 A1 6/2013 Carroll
 2015/0084356 A1 3/2015 Dinh et al.
 2016/0036480 A1 * 2/2016 Hirsch A45F 5/021
 455/575.6
 2016/0069512 A1 3/2016 Grieve
 2017/0373713 A1 12/2017 Hirsch
 2018/0262603 A1 9/2018 Richter
 2019/0304291 A1 * 10/2019 Camp G08B 25/009

* cited by examiner

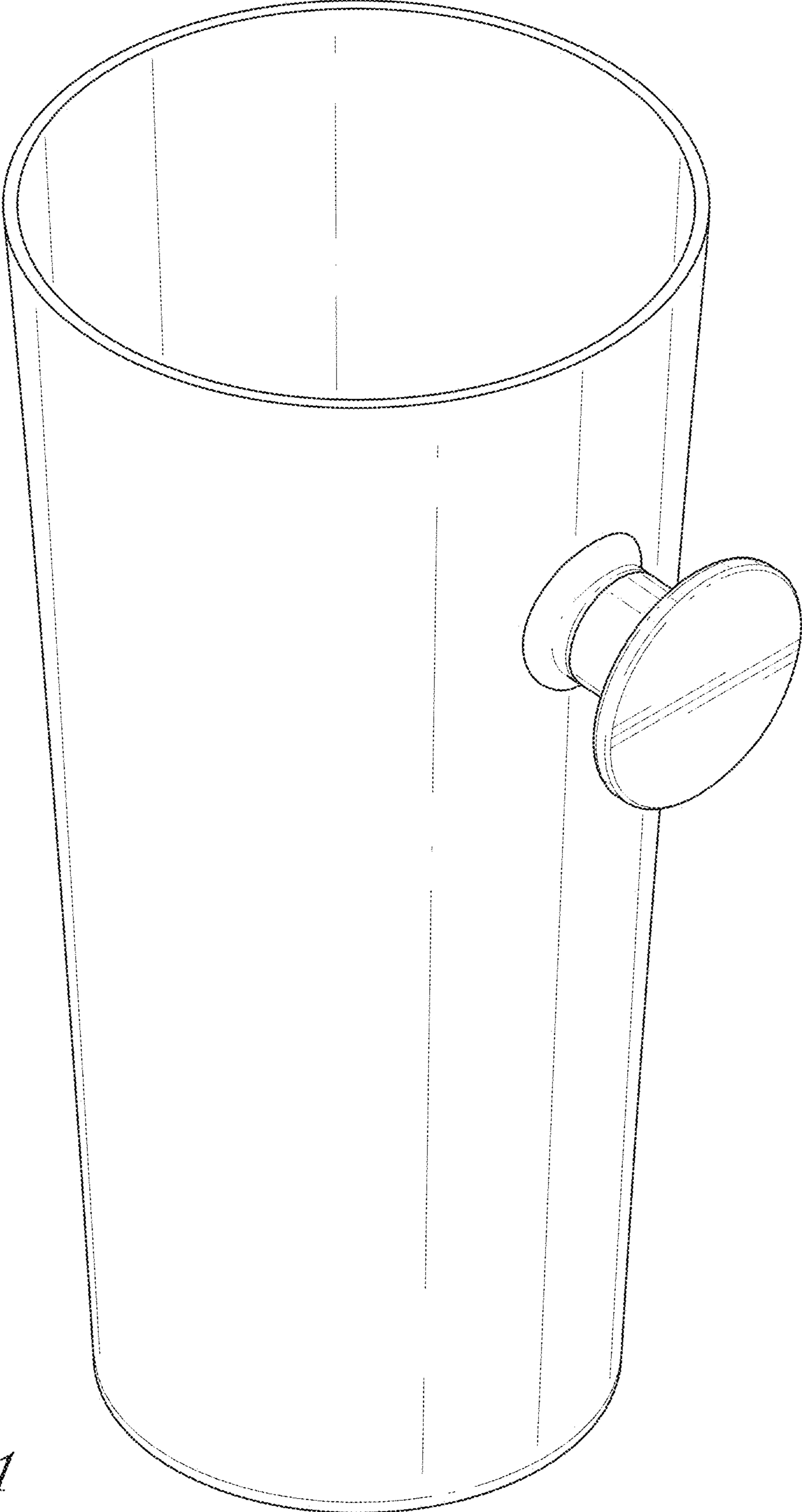


FIG. 1

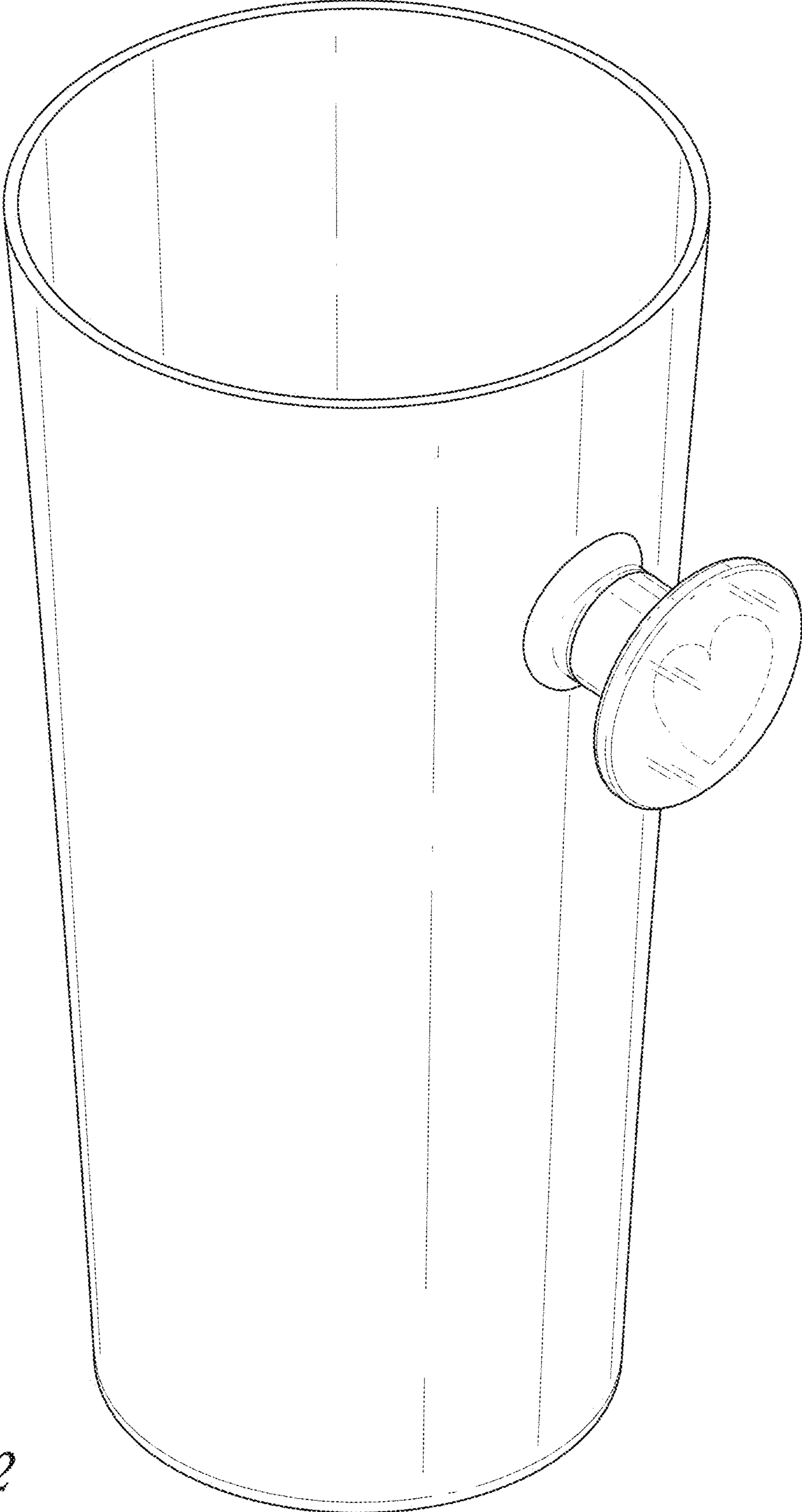


FIG. 2



FIG. 3

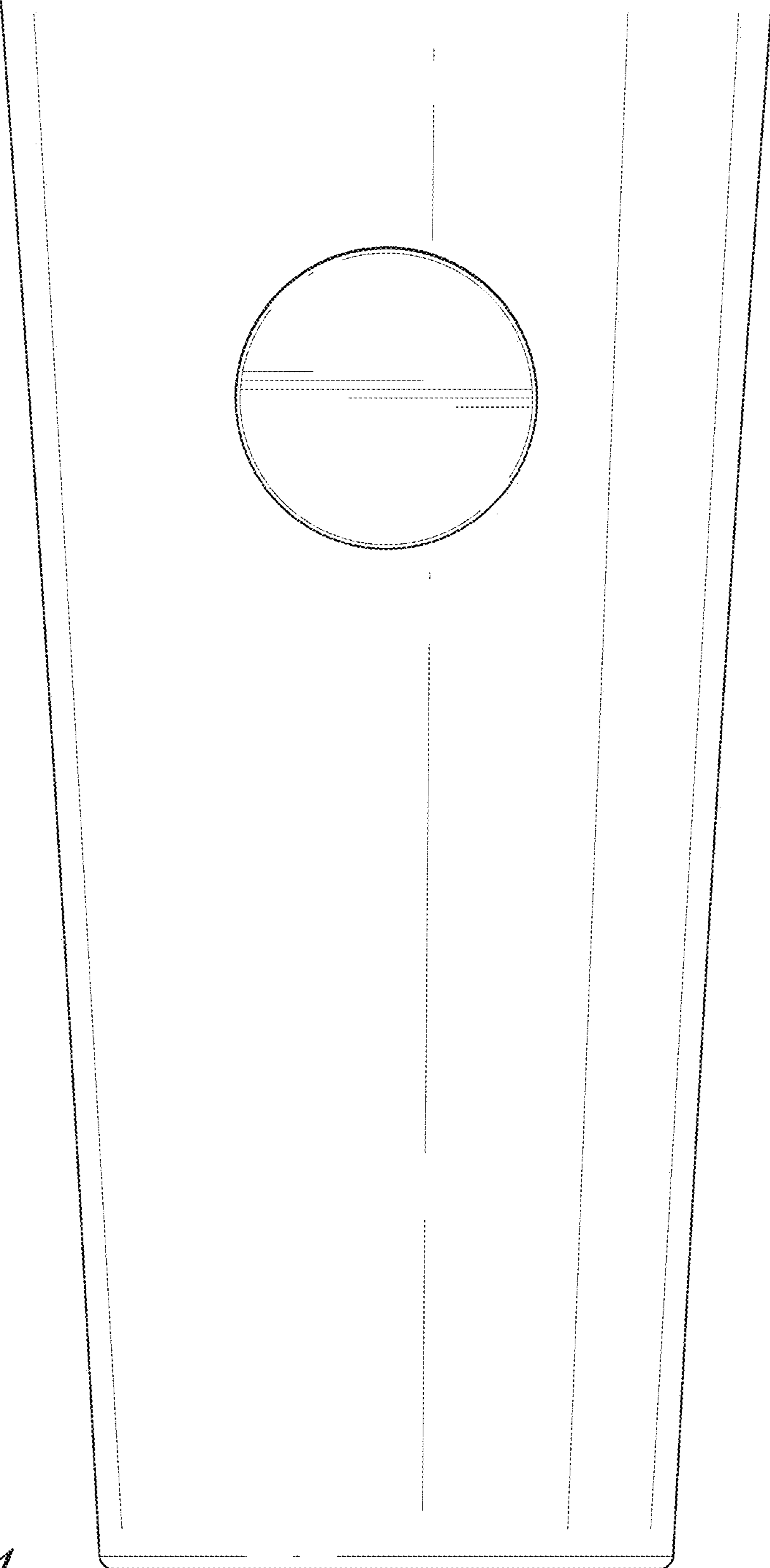


FIG. 4

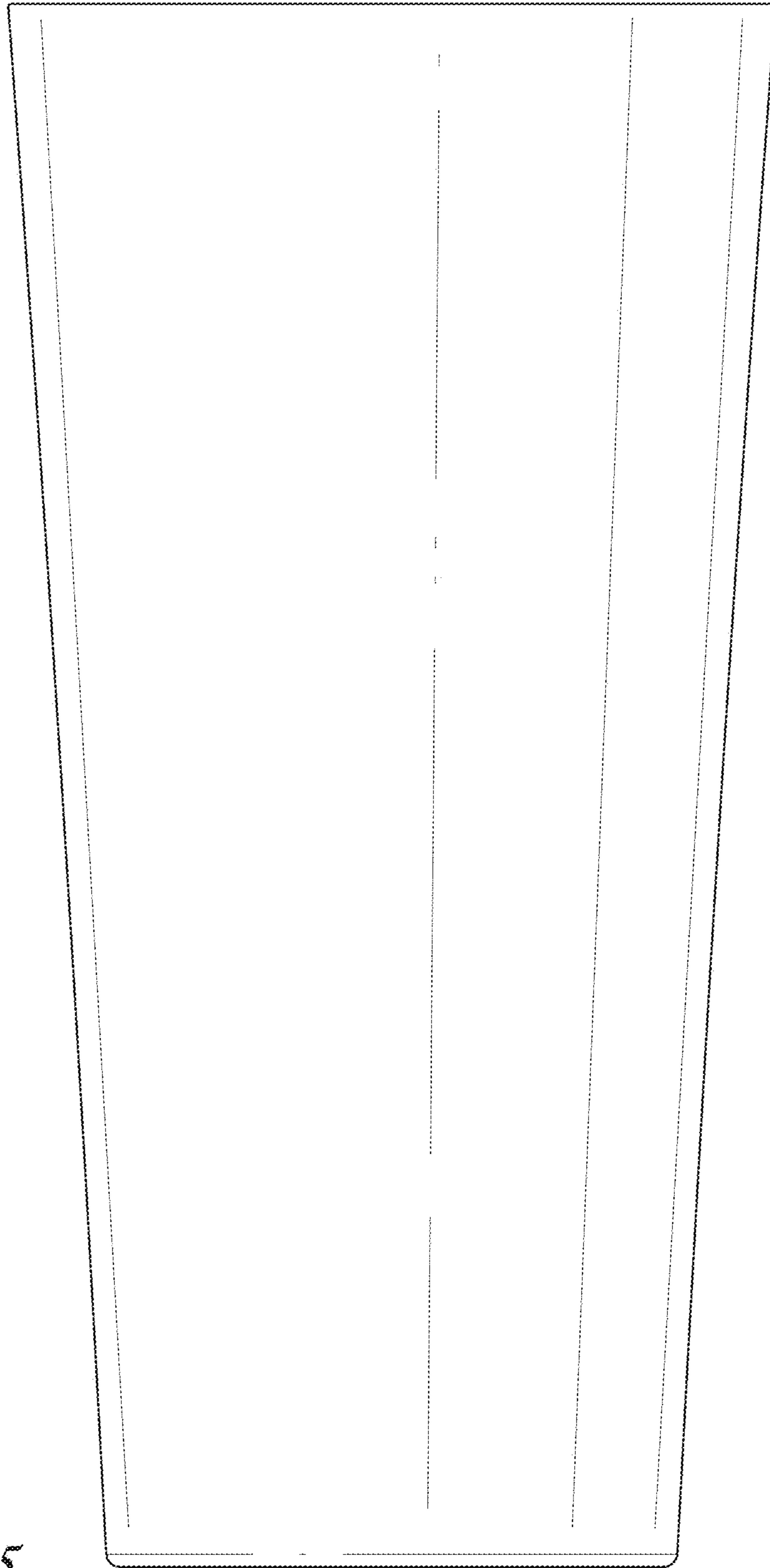


FIG. 5

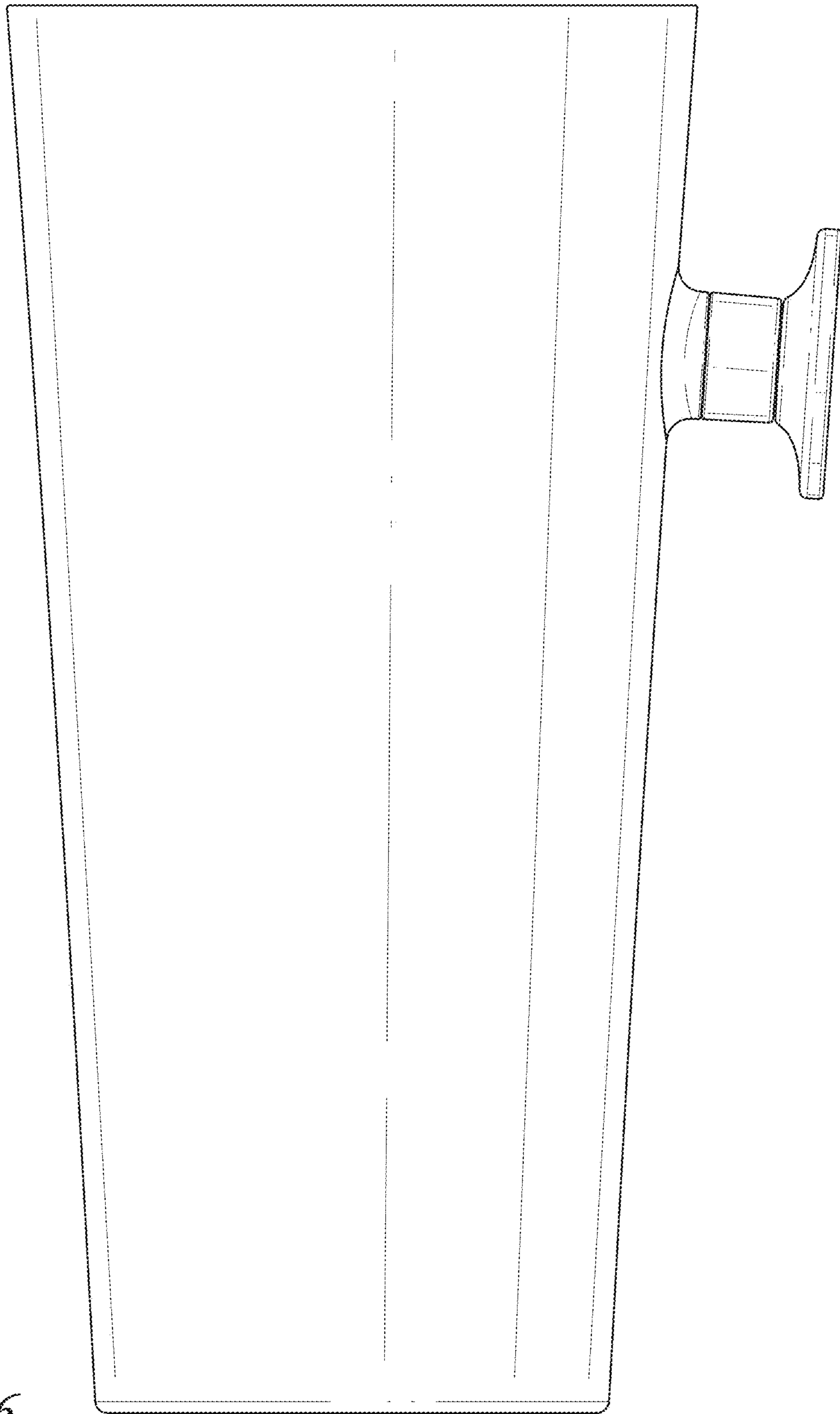


FIG. 6

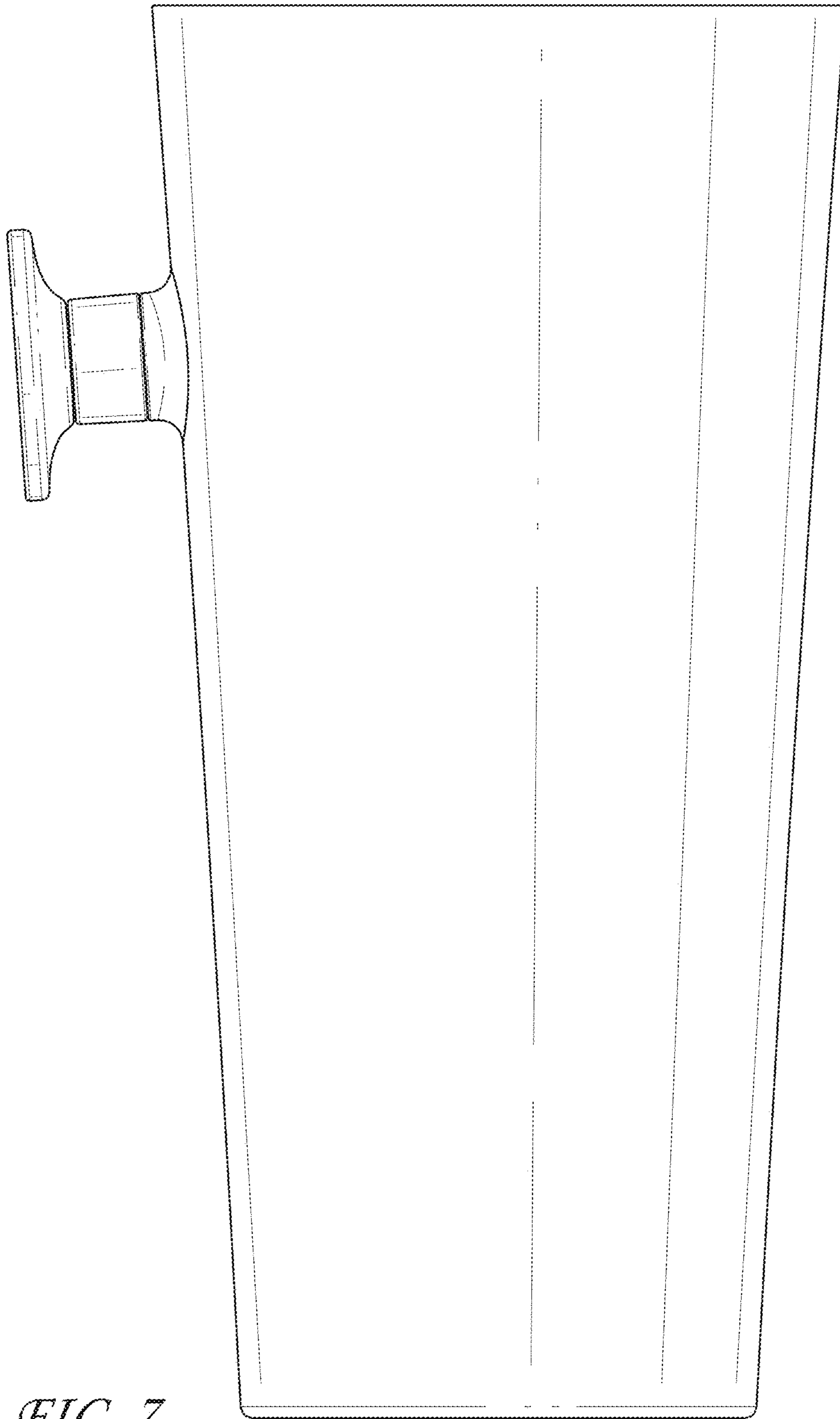


FIG. 7

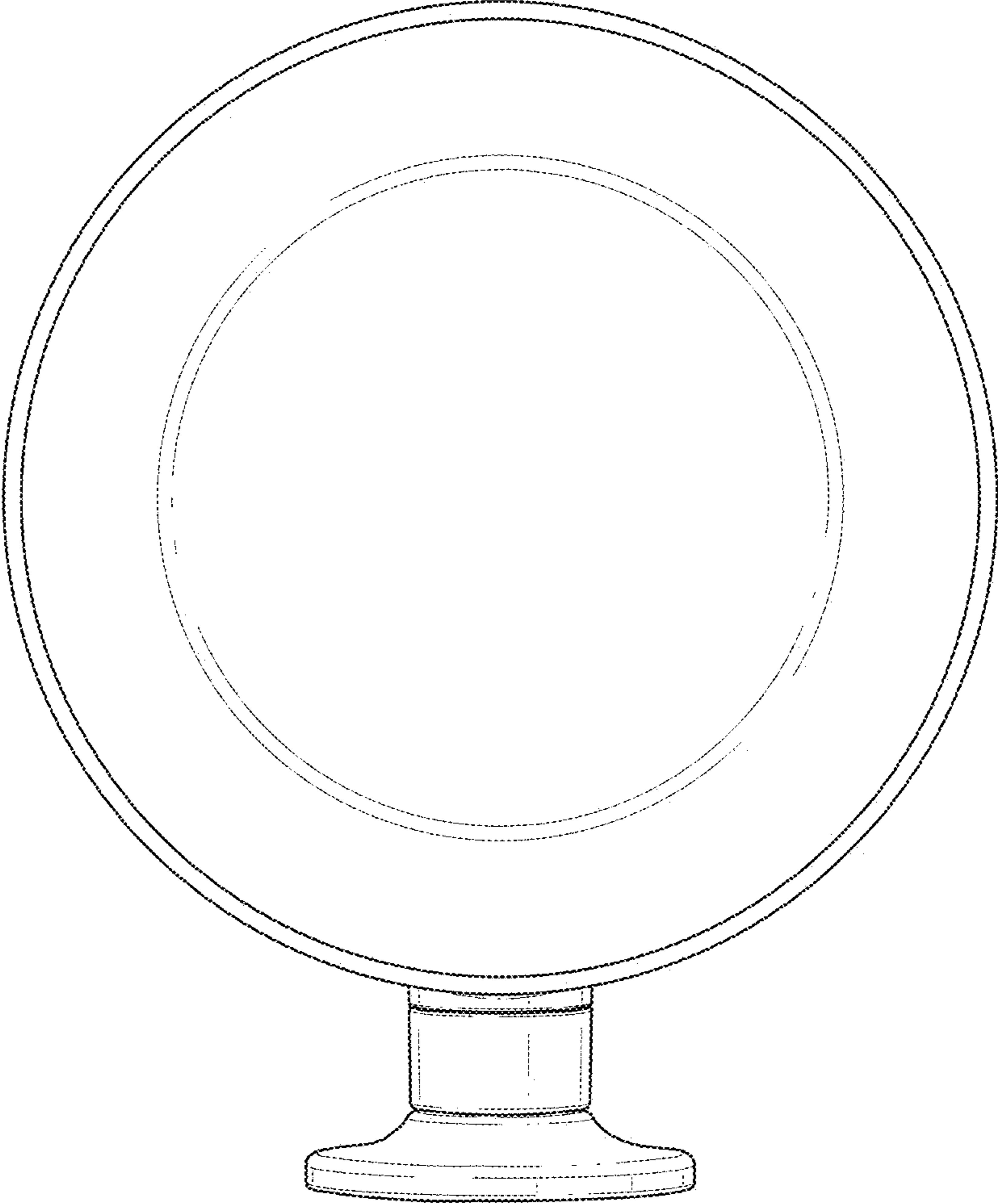


FIG. 8

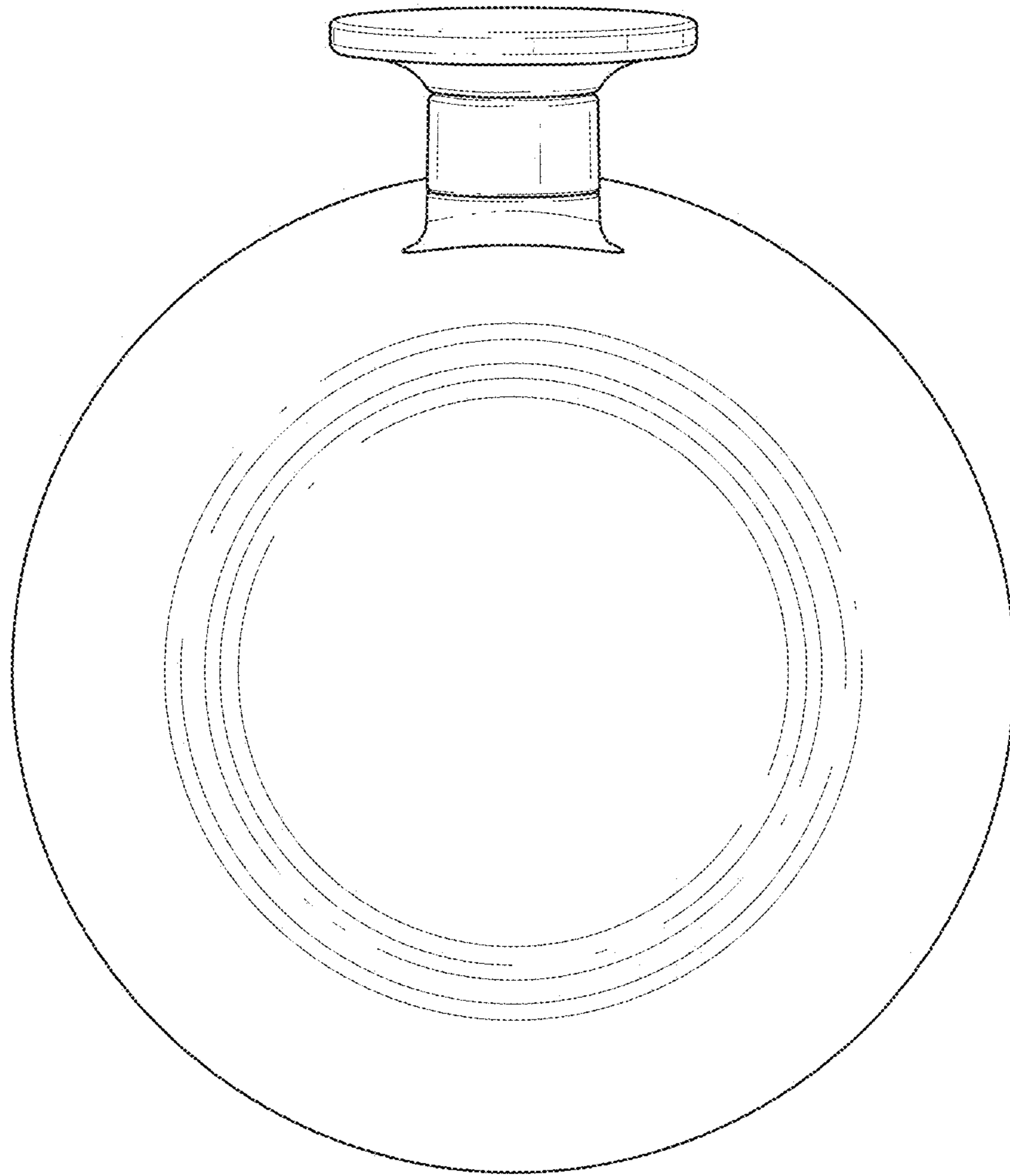


FIG. 9

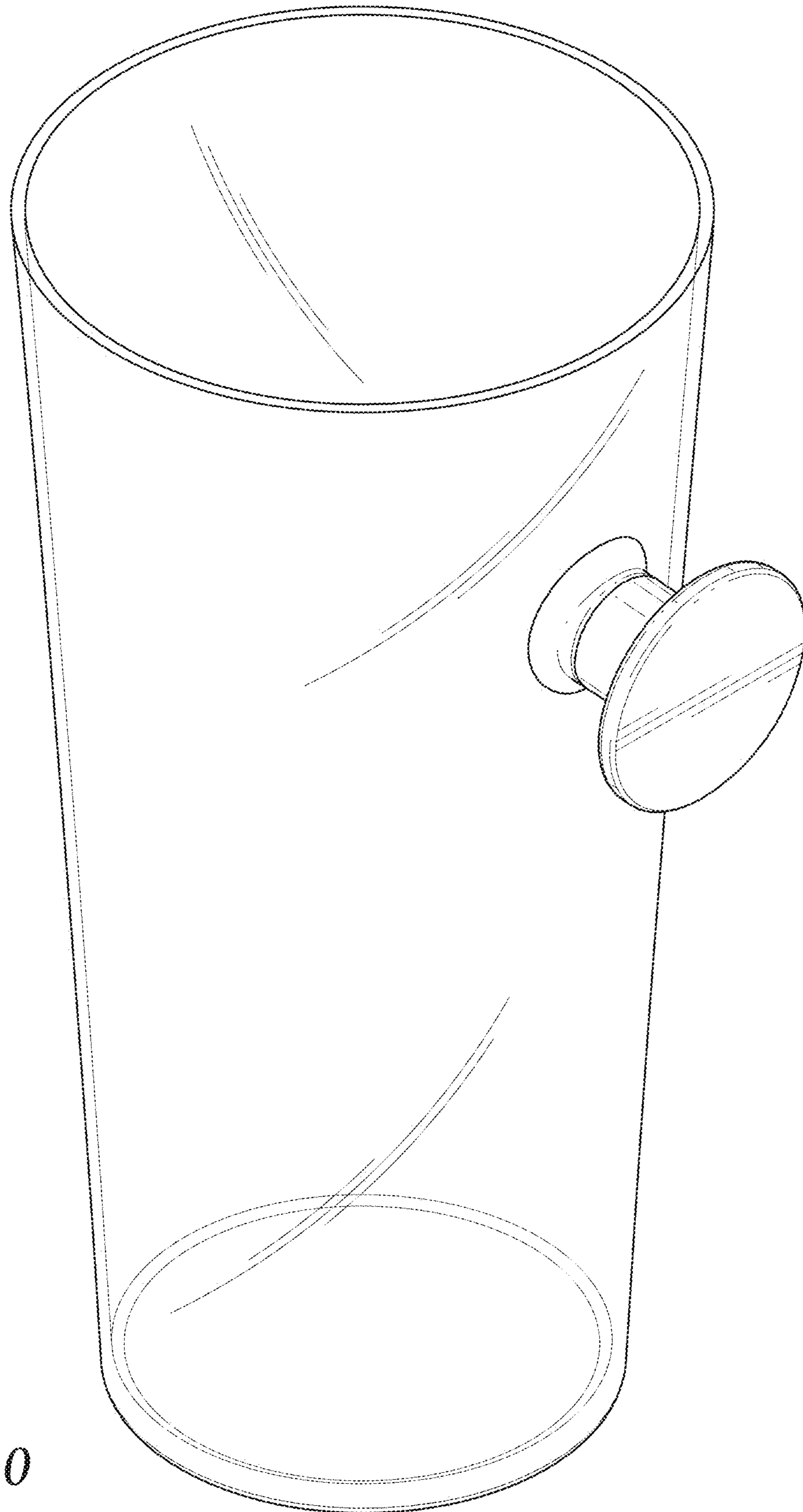


FIG. 10

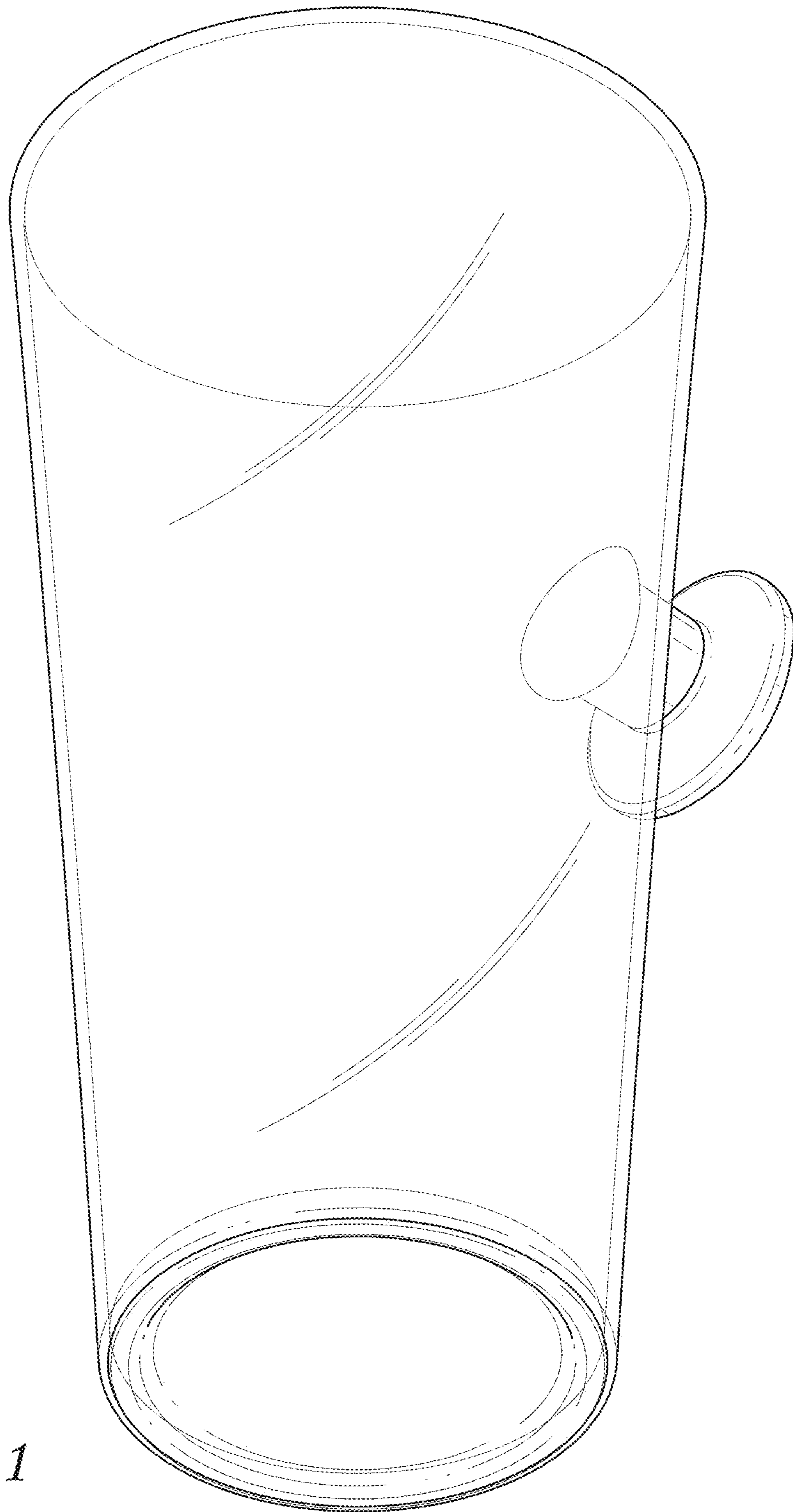


FIG. 11

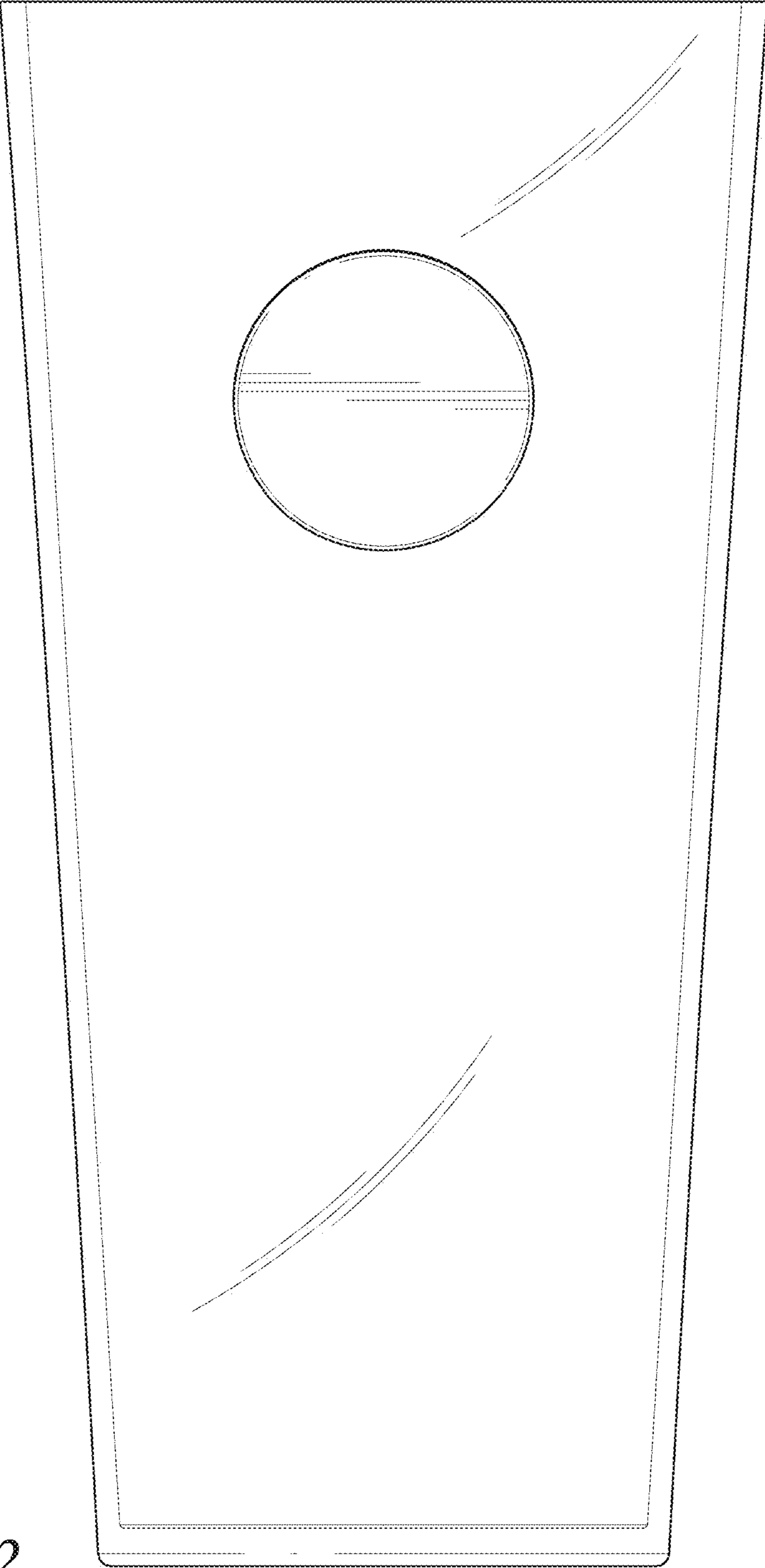


FIG. 12

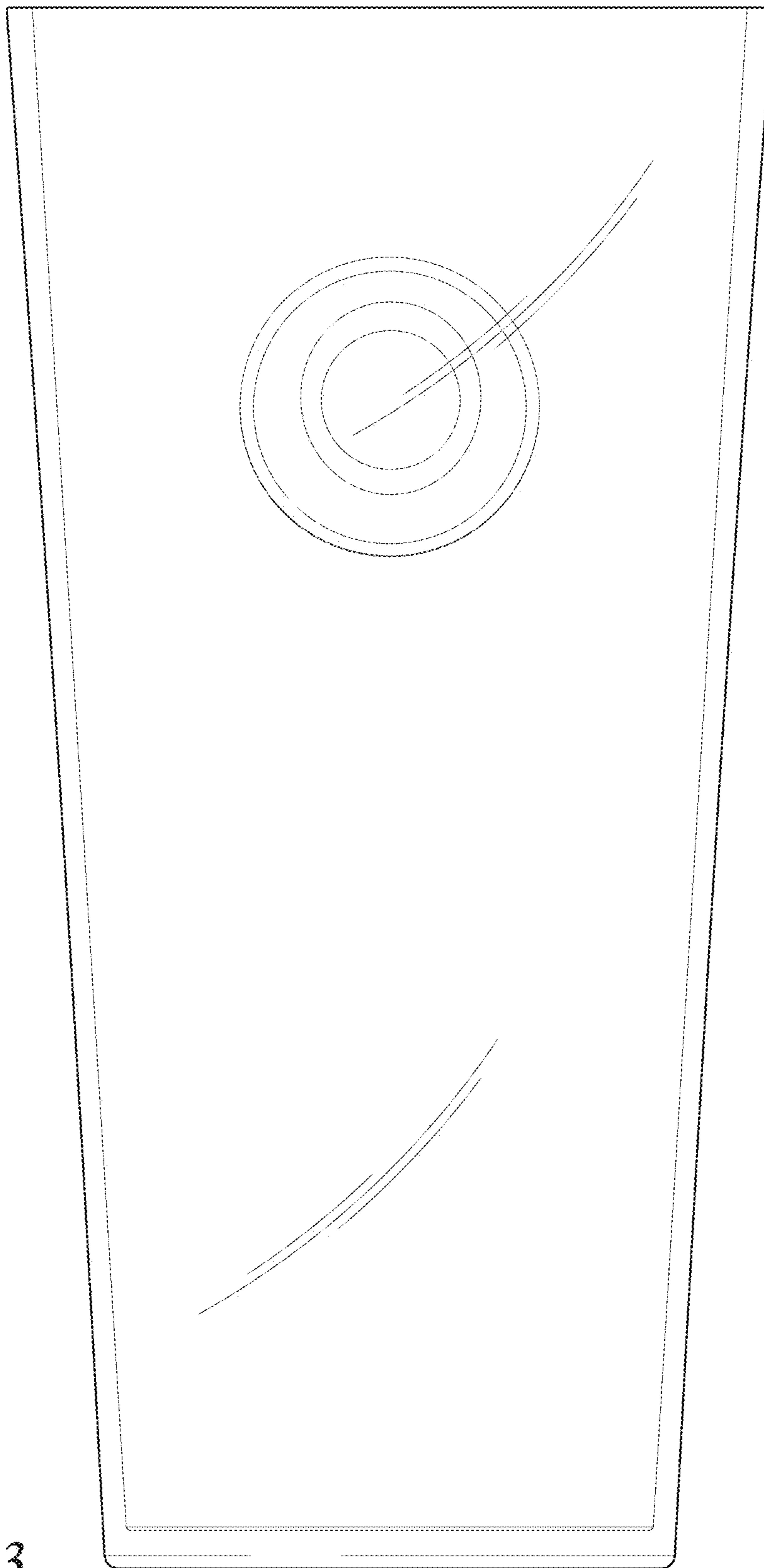


FIG. 13

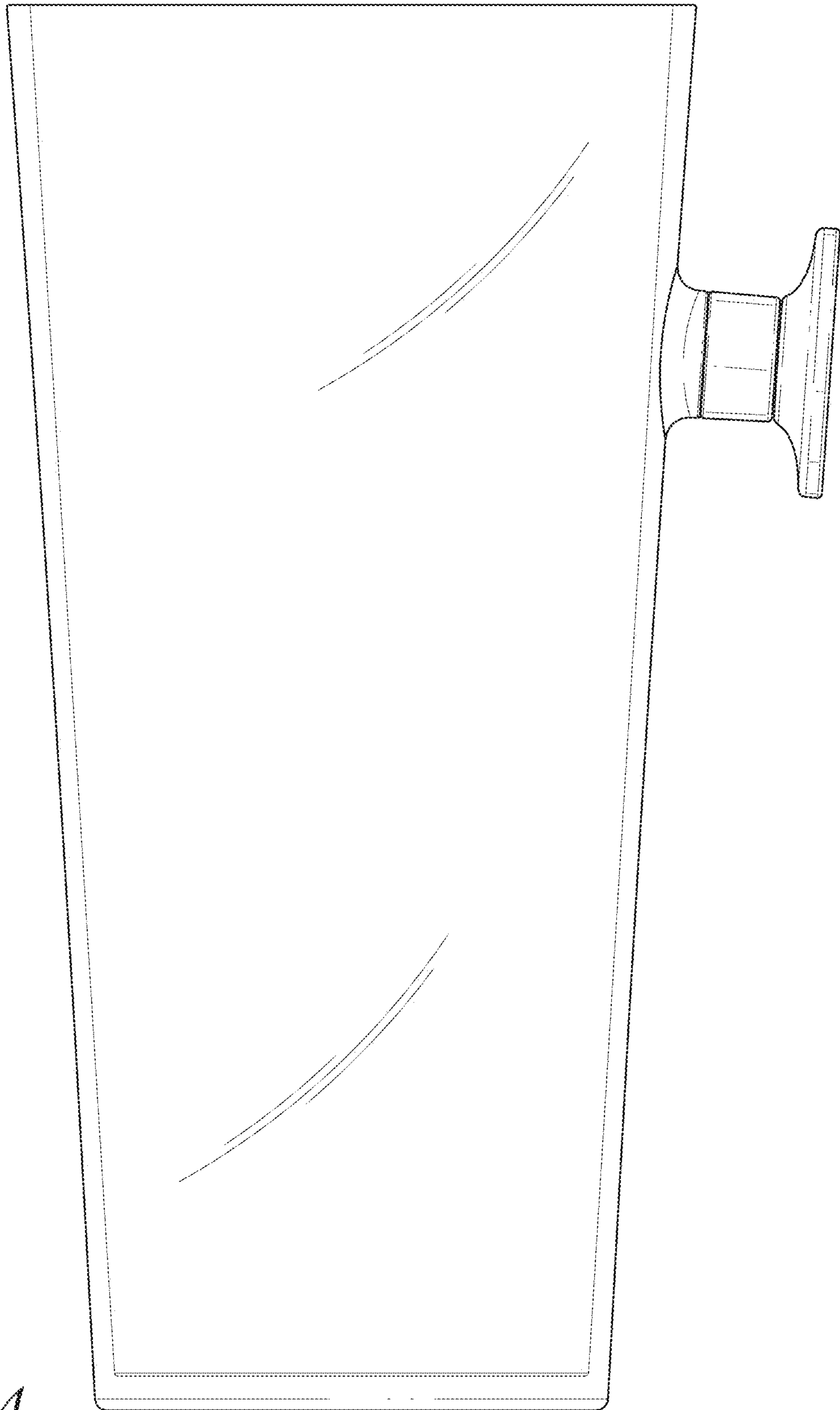


FIG. 14

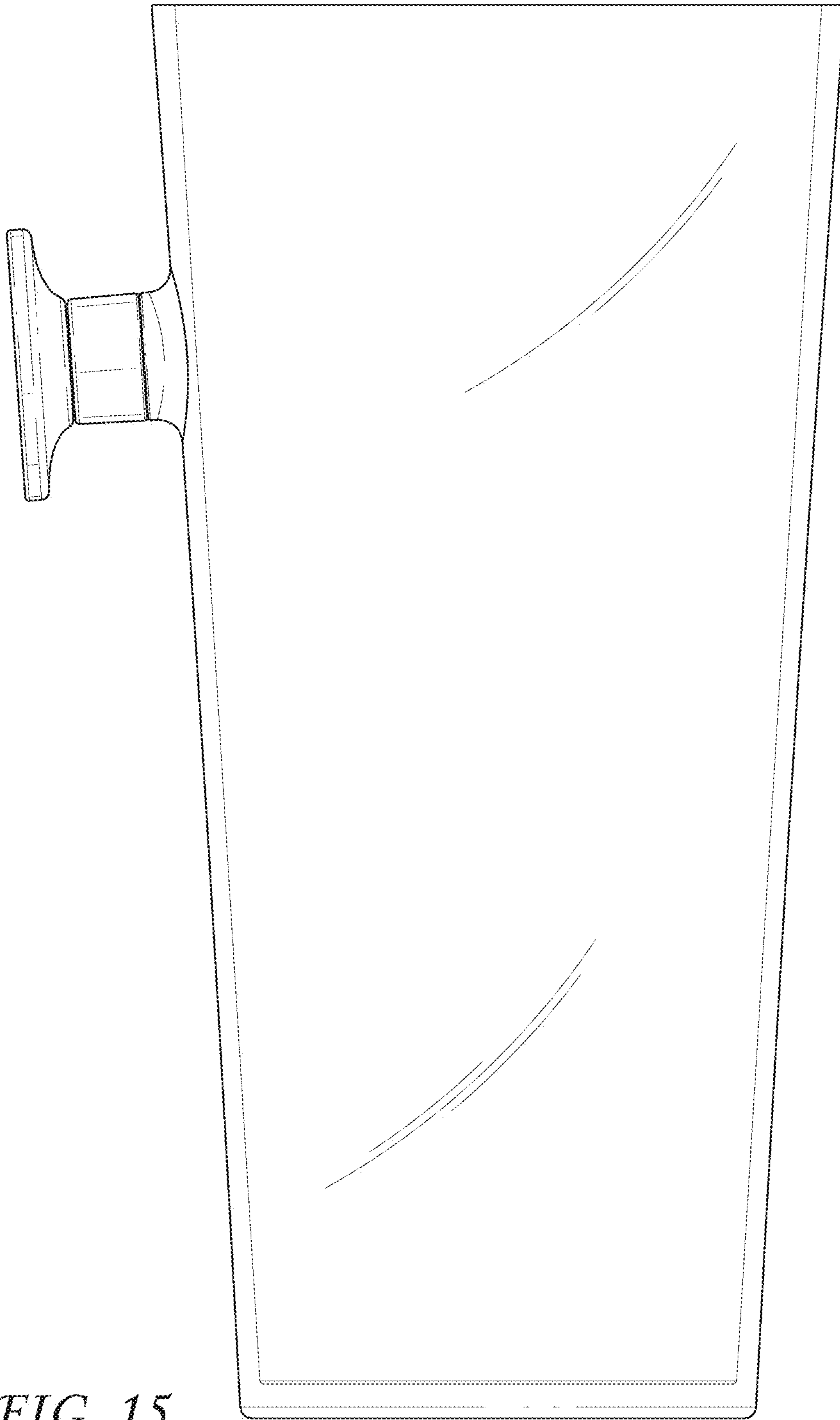


FIG. 15

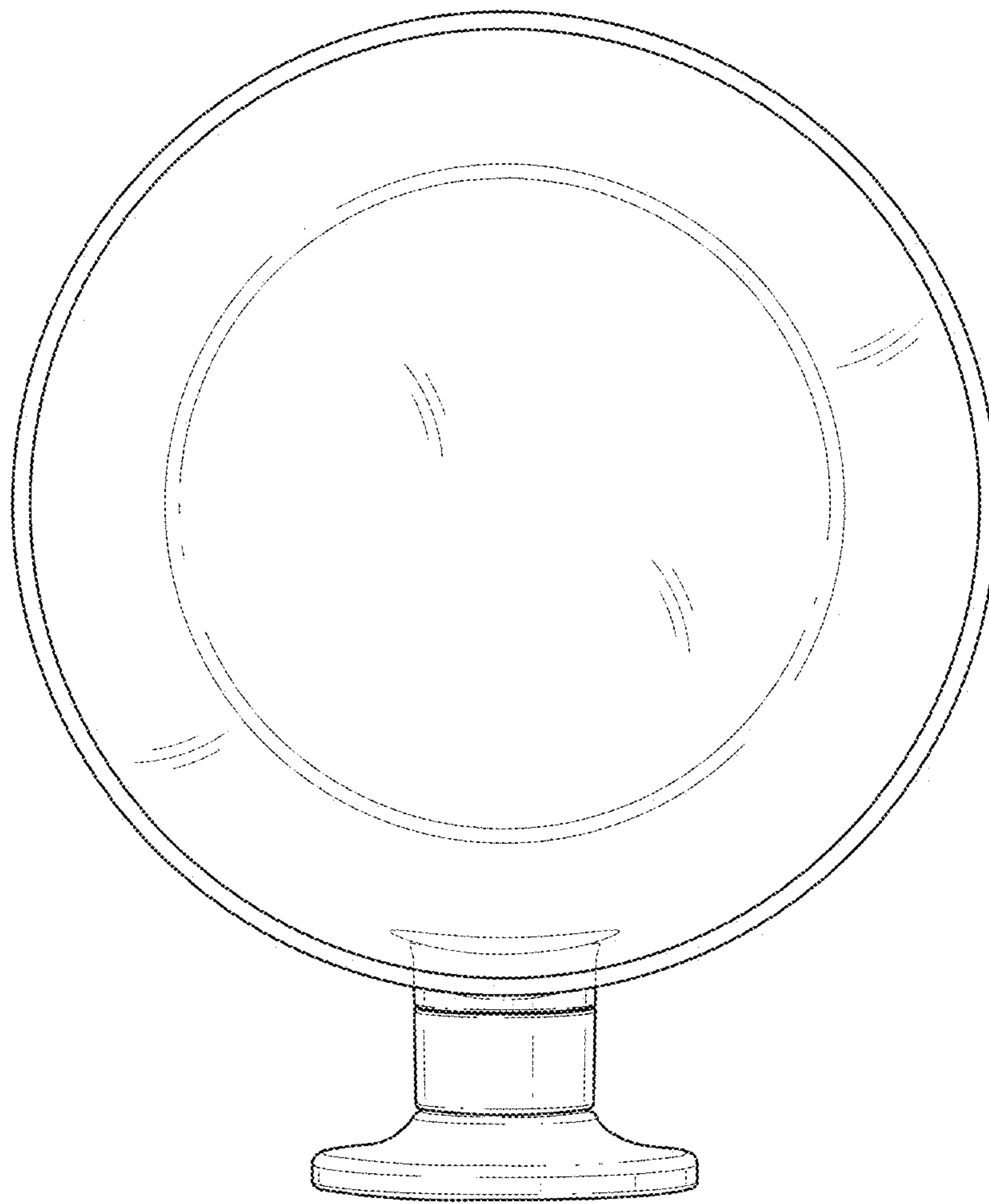


FIG. 16

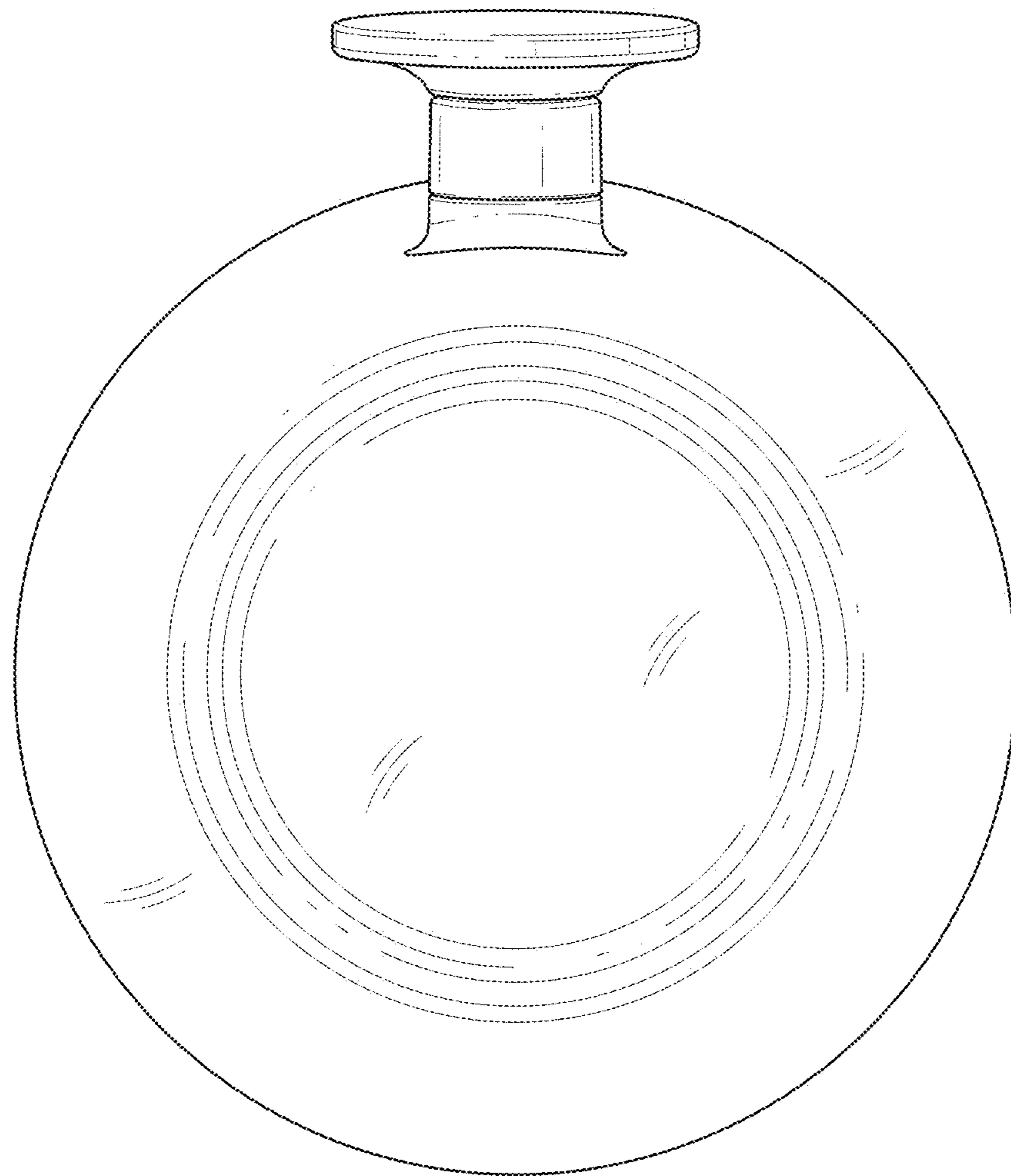


FIG. 17