



US00D913748S

(12) **United States Design Patent** (10) **Patent No.:** **US D913,748 S**
Jones (45) **Date of Patent:** **** Mar. 23, 2021**

(54) **HOLIDAY CUP**
(71) Applicant: **Packed Party, Inc.**, Austin, TX (US)
(72) Inventor: **Jordan Jones**, Austin, TX (US)
(73) Assignee: **PACKED PARTY, INC.**, Austin, TX (US)
(**) Term: **15 Years**
(21) Appl. No.: **29/637,697**
(22) Filed: **Feb. 21, 2018**
(51) **LOC (13) Cl.** **07-01**
(52) **U.S. Cl.**
USPC **D7/523**; 514/515
(58) **Field of Classification Search**
USPC D7/509–511, 514, 515, 523, 528, 533,
D7/534, 536, 543, 571, 586, 599, 600,
D7/604, 613, 619.2, 623, 628; D9/600;
D3/270, 271.1; D11/121, 125
CPC A47G 19/22; A47G 19/2222; A47G
19/2227; A47G 2019/2238; B65D 1/10;
B65D 1/14
See application file for complete search history.

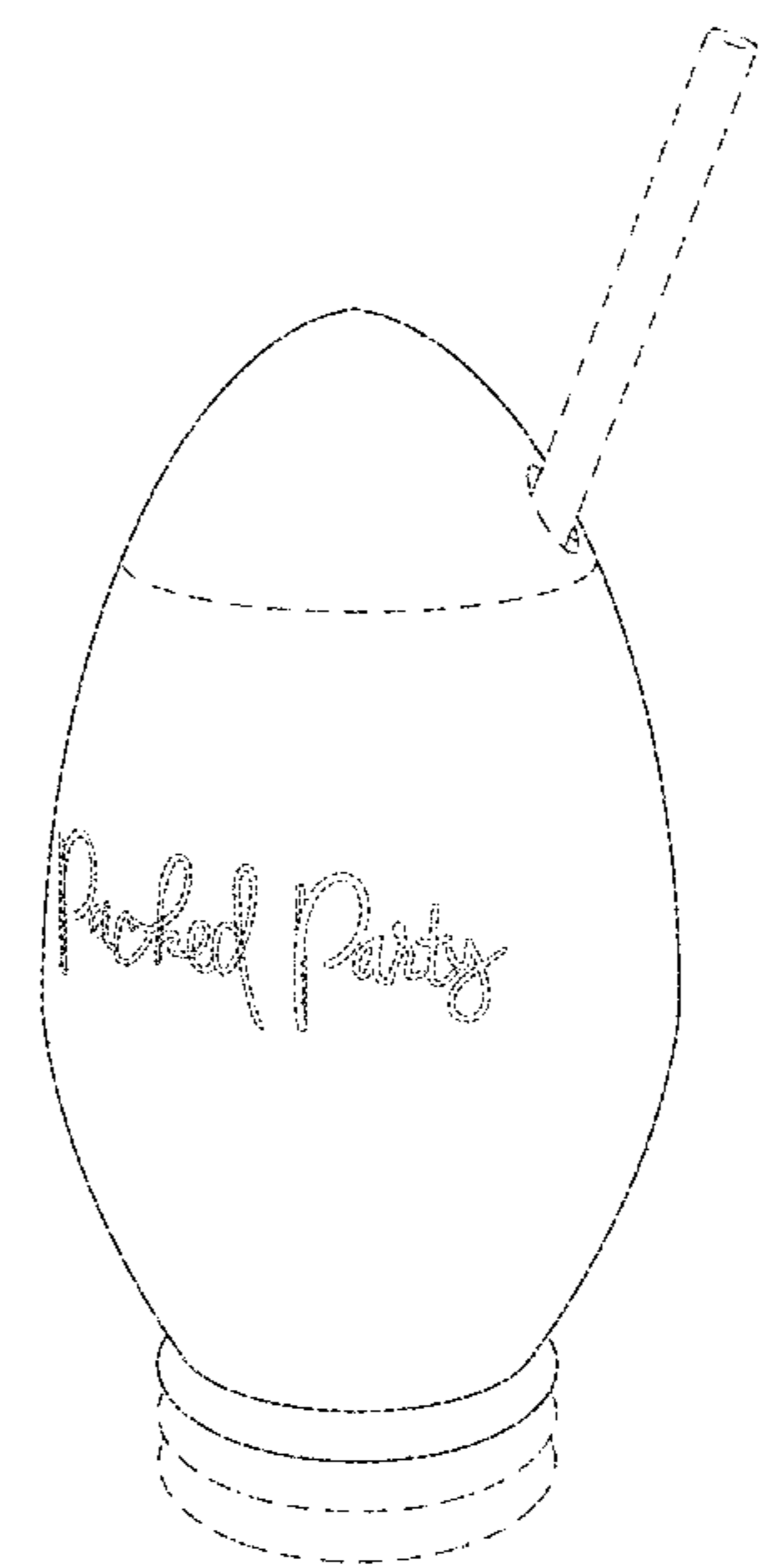
(56) **References Cited**
U.S. PATENT DOCUMENTS
D563,593 S * 3/2008 Audrito D26/104
D660,451 S * 5/2012 Matsuura D24/216
D738,028 S * 9/2015 Wu D26/98
9,194,564 B2 * 11/2015 Liu F21V 17/04
D788,586 S * 6/2017 Molinari D9/504
D789,241 S * 6/2017 Cao D11/121
D813,946 S * 3/2018 Melendez D19/9
D825,530 S * 8/2018 Chyzhov D14/216
D862,108 S * 10/2019 Garcia D6/518
D867,921 S * 11/2019 Inoko D11/121

2002/0033397 A1* 3/2002 Henson B65D 81/365
220/603
2007/0108092 A1* 5/2007 Minuto B65D 11/02
206/581
* cited by examiner
Primary Examiner — Susan E Krakower
Assistant Examiner — Andrew Kerr
(74) *Attorney, Agent, or Firm* — Jackson Walker LLP;
Blake T. Dietrich

(57) **CLAIM**
The ornamental design for a holiday cup, as shown and described.

DESCRIPTION
FIG. 1 is a front perspective of a holiday cup showing my new design with an unclaimed straw;
FIG. 2 is a front perspective thereof, with an unclaimed straw and rounded handles;
FIG. 3 is a front perspective thereof, with an unclaimed straw and squared handles;
FIG. 4 is a front elevation view thereof;
FIG. 5 is a front elevation view thereof with unclaimed rounded handles;
FIG. 6 is a front elevation view thereof with unclaimed squared handles;
FIG. 7 is a bottom plan view thereof;
FIG. 8 is a bottom-plan view thereof with unclaimed rounded handles;
FIG. 9 is a bottom-plan view thereof with unclaimed squared handles;
FIG. 10 is a top plan view thereof;
FIG. 11 is a top plan view thereof with unclaimed rounded handles; and,
FIG. 12 is a top plan view thereof with unclaimed squared handles.
The broken lines in the drawings depict portions of the holiday cup that form no part of the claimed design.

1 Claim, 12 Drawing Sheets



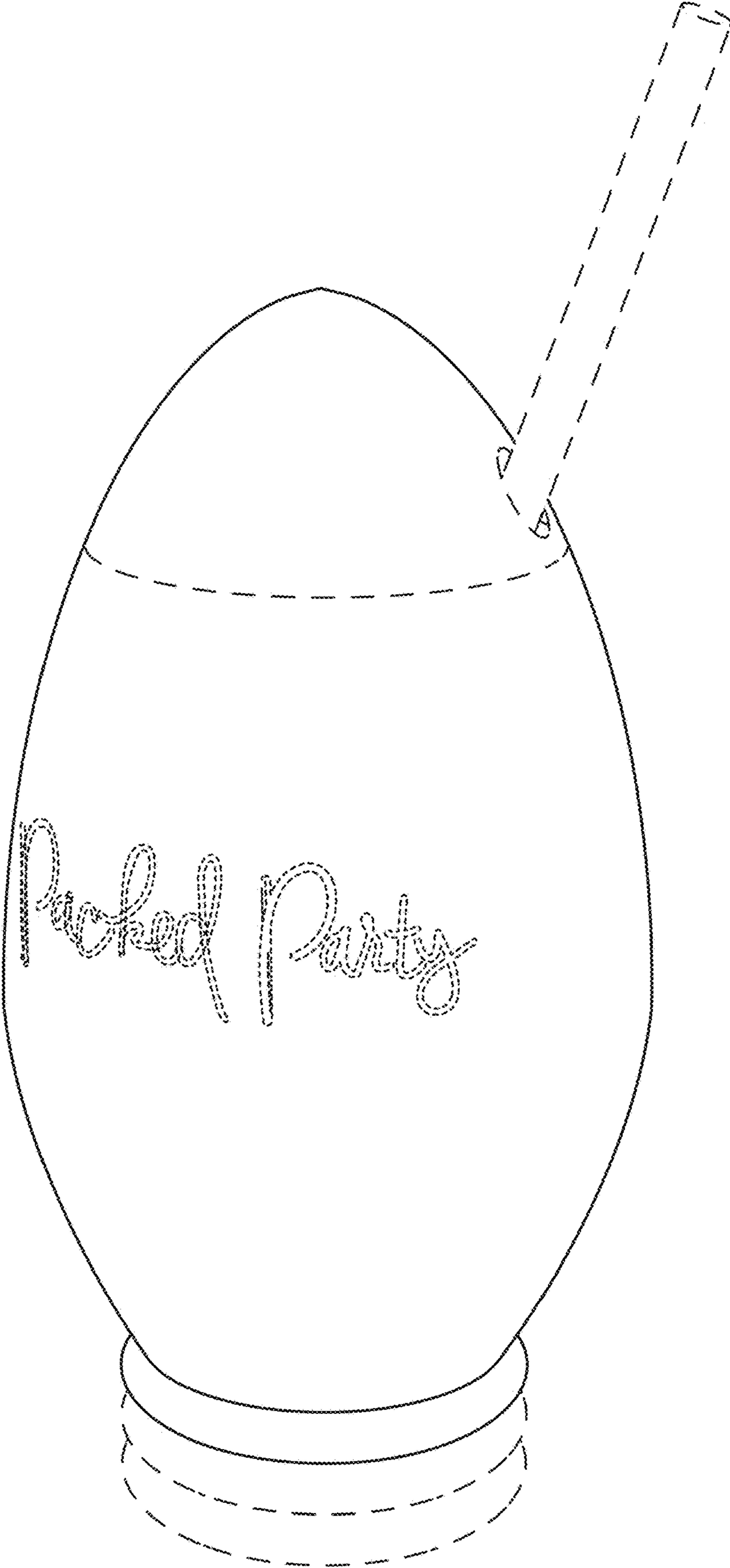


FIG. 1

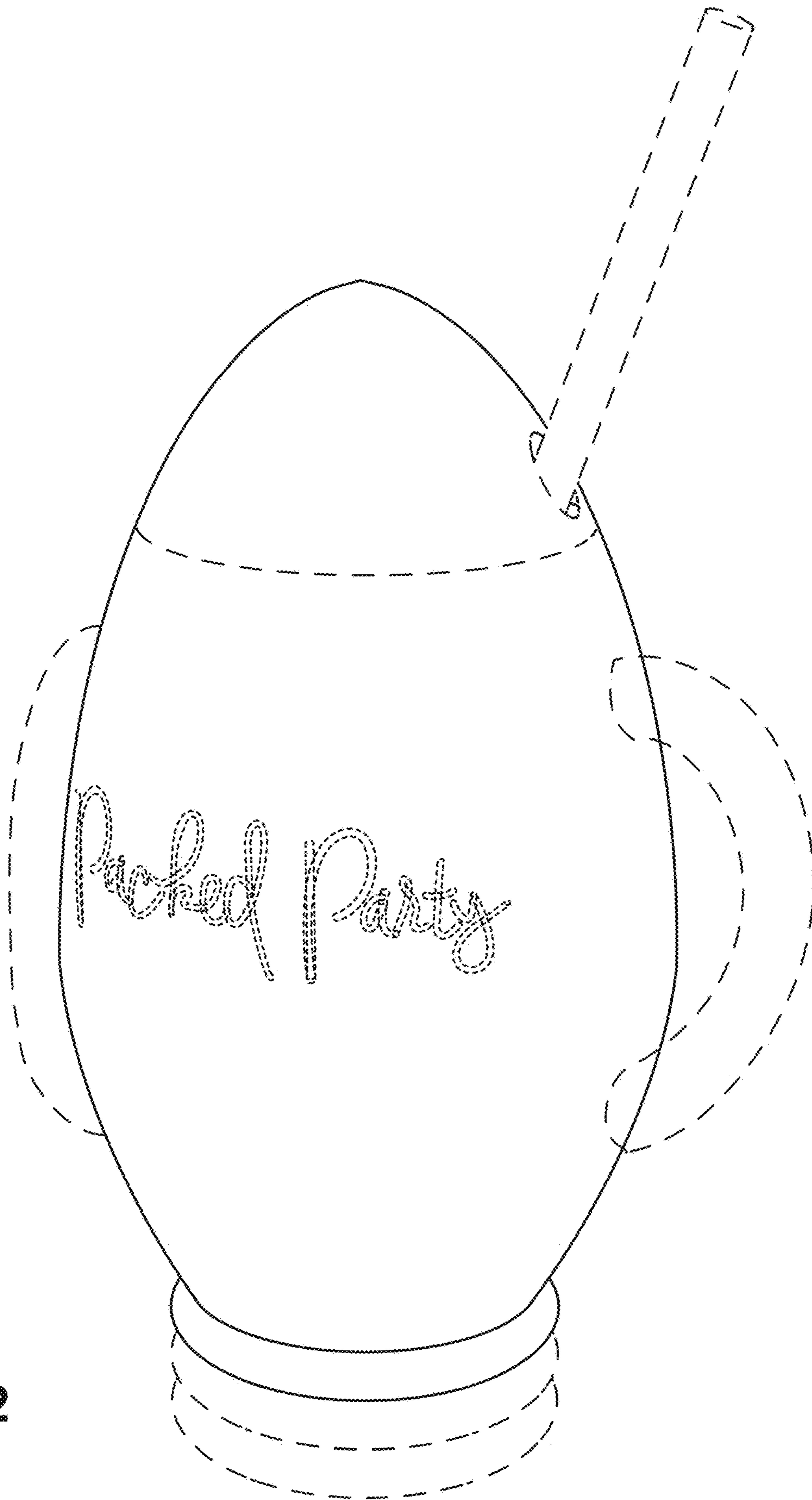


FIG. 2

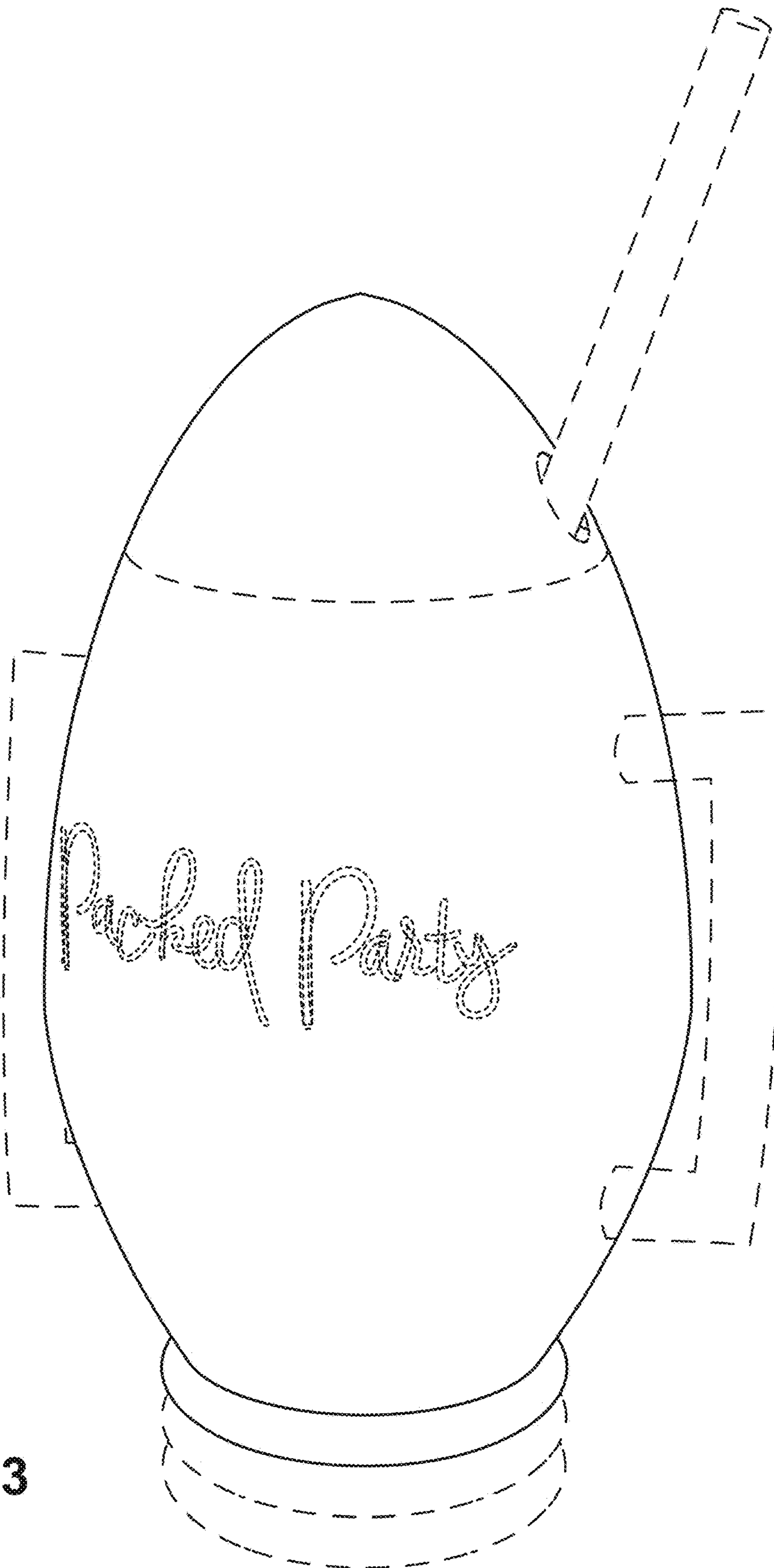


FIG. 3

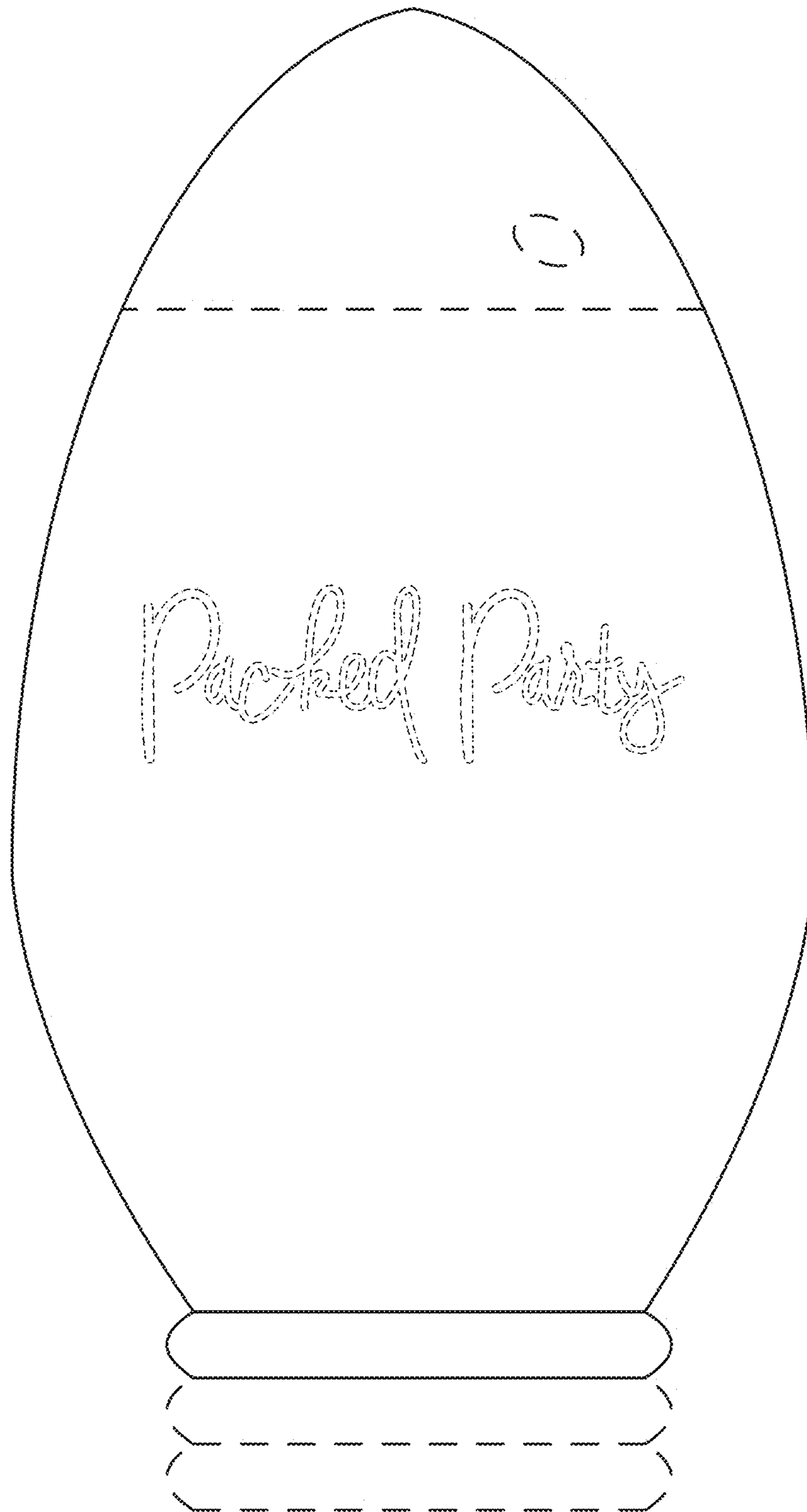


FIG. 4

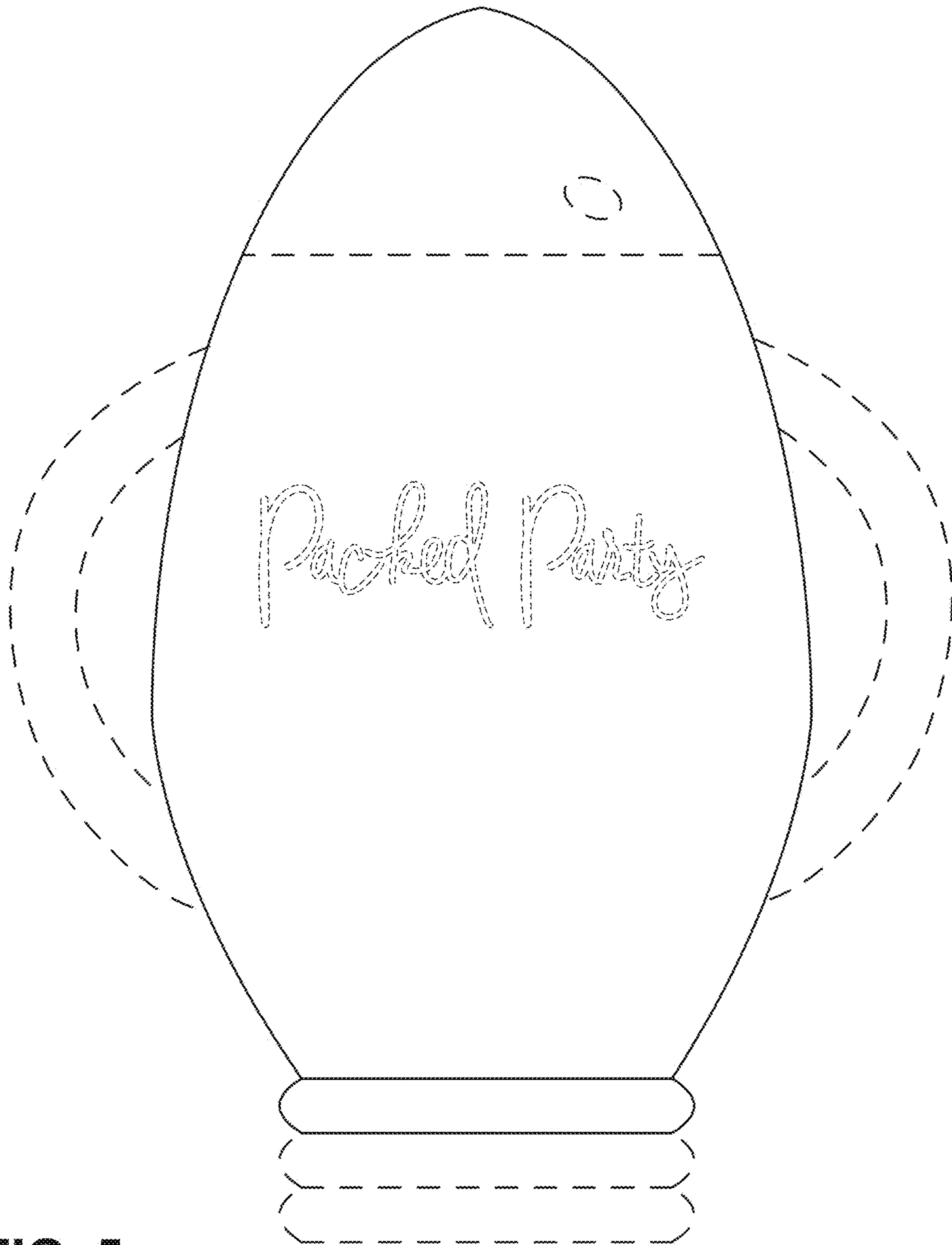


FIG. 5

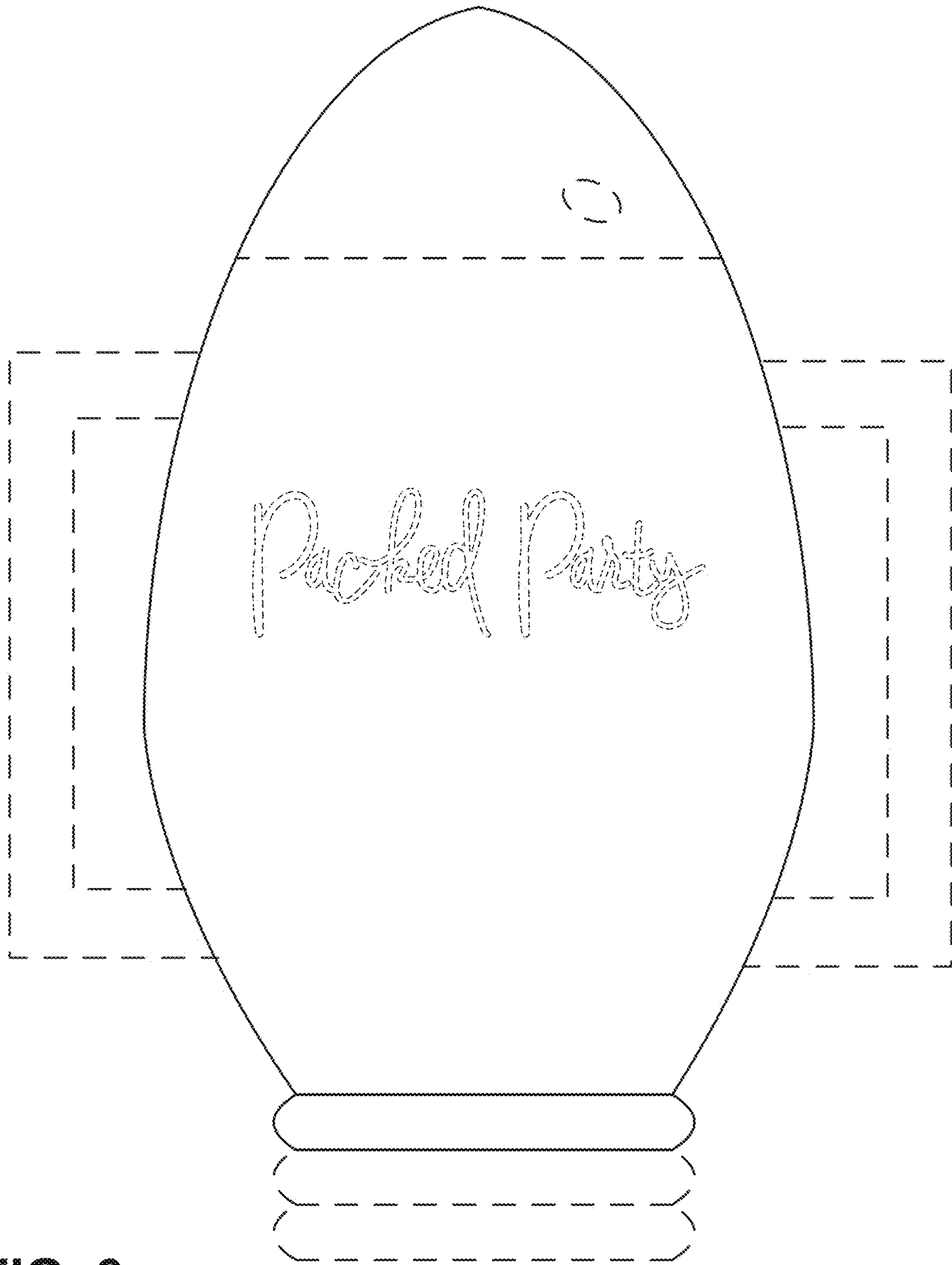


FIG. 6

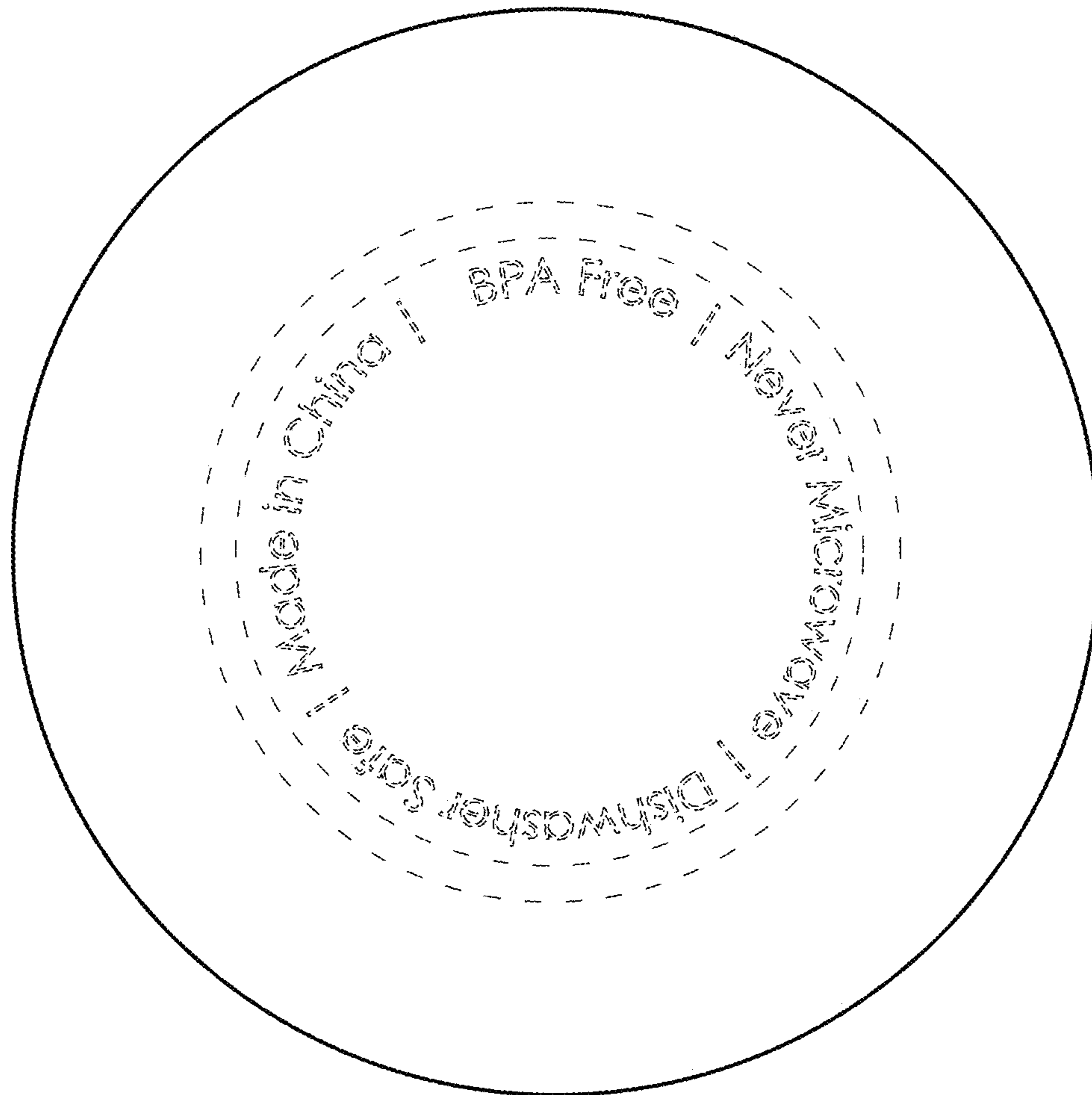


FIG. 7

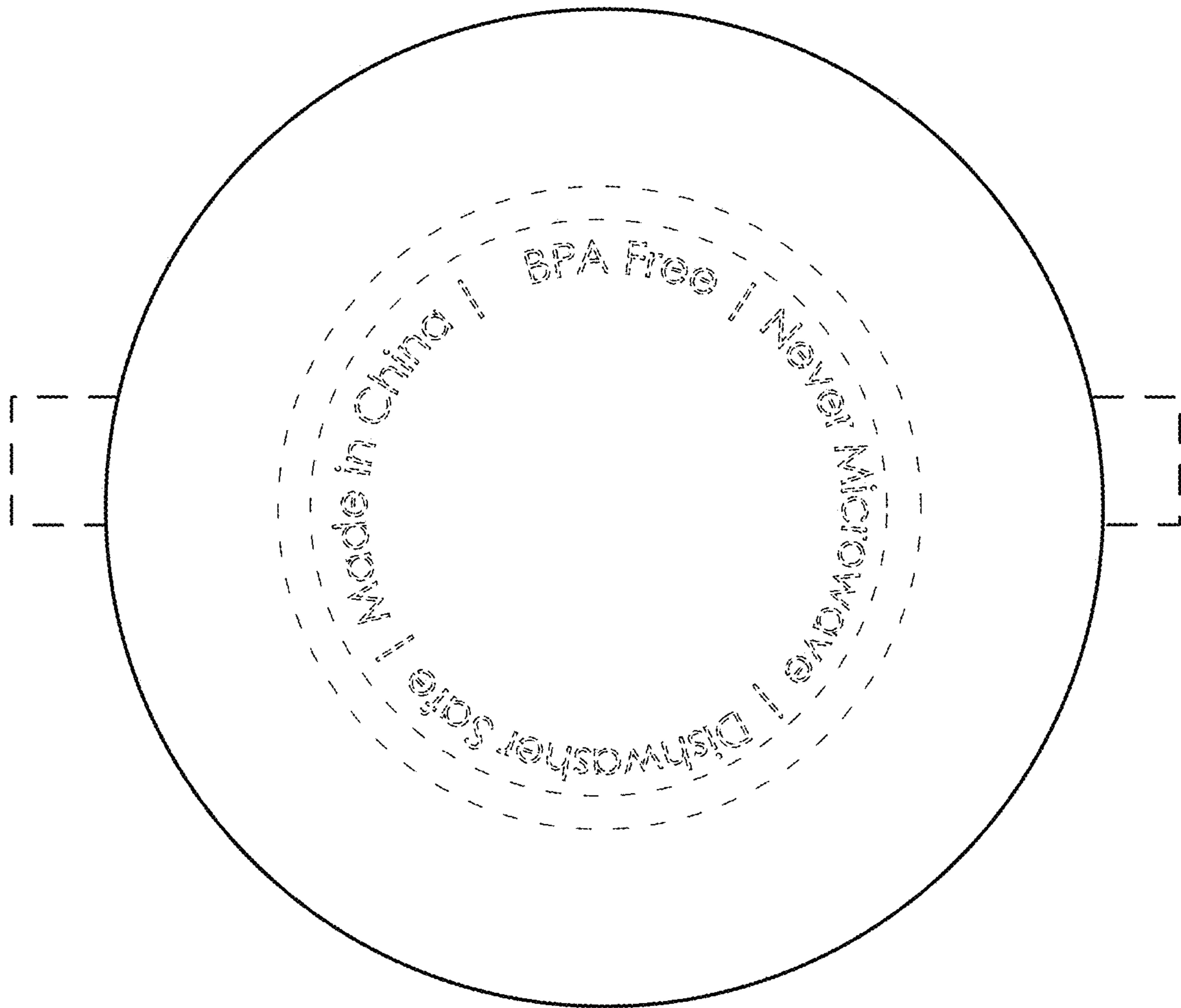


FIG. 8

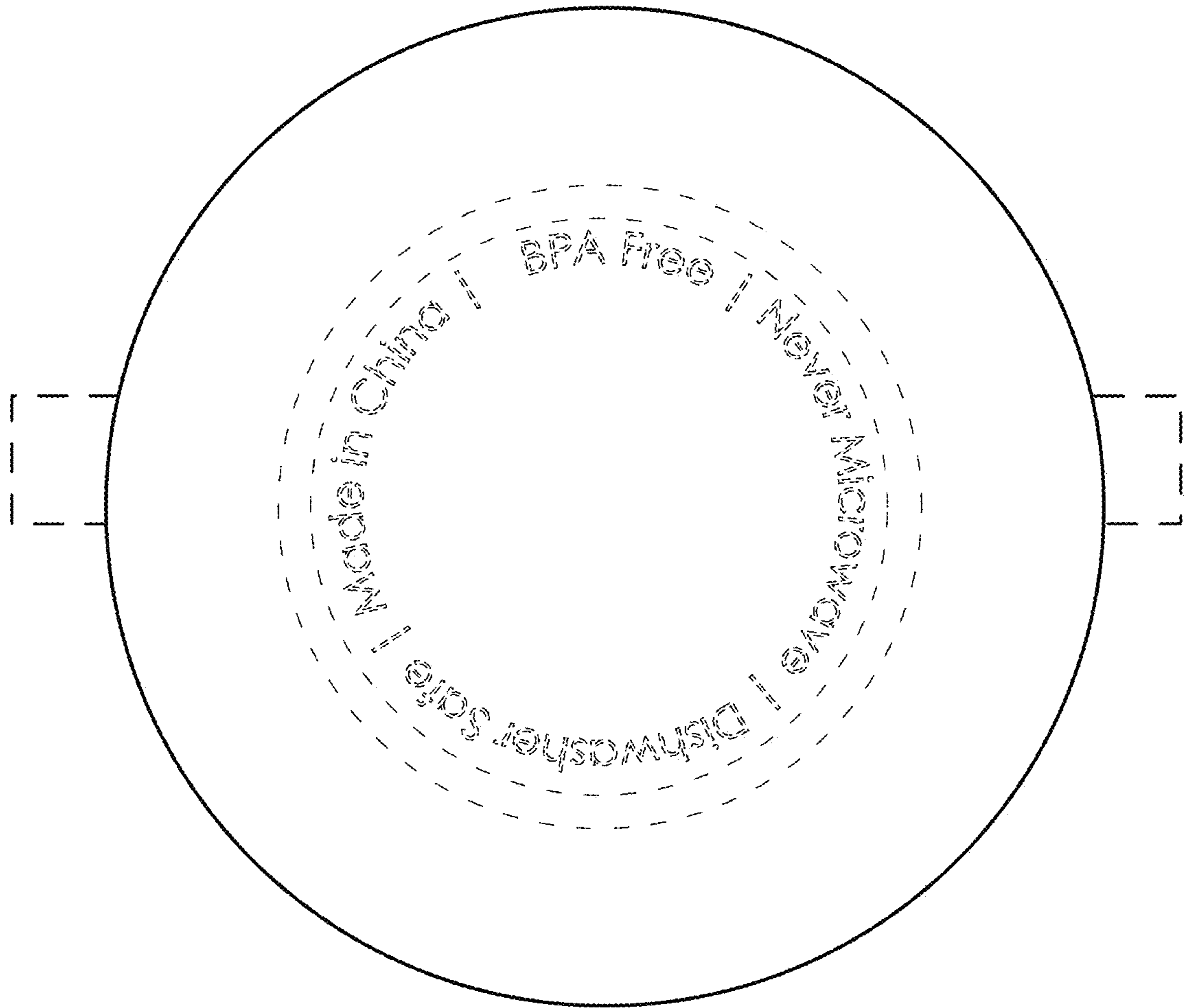


FIG. 9

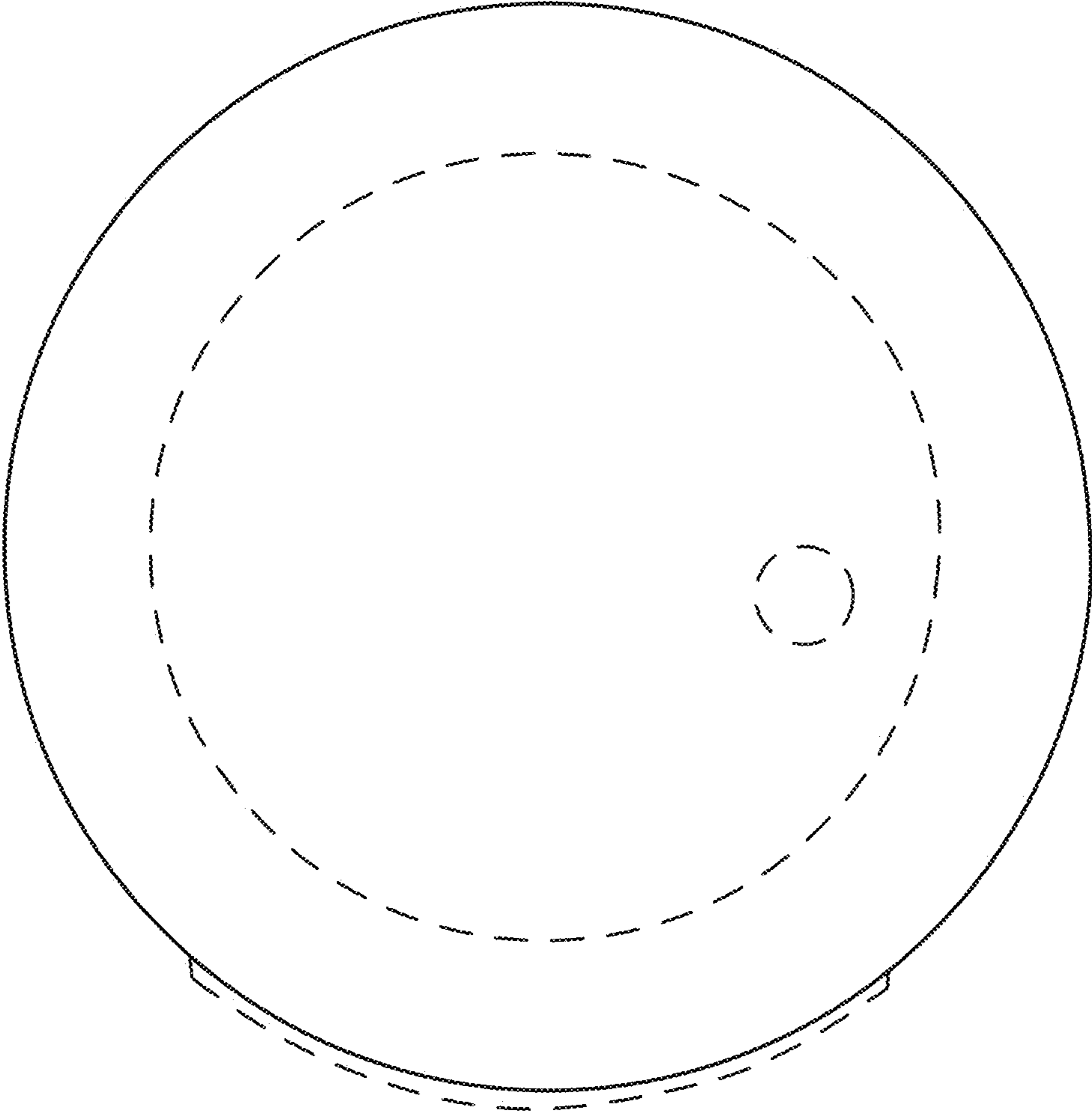


FIG. 10

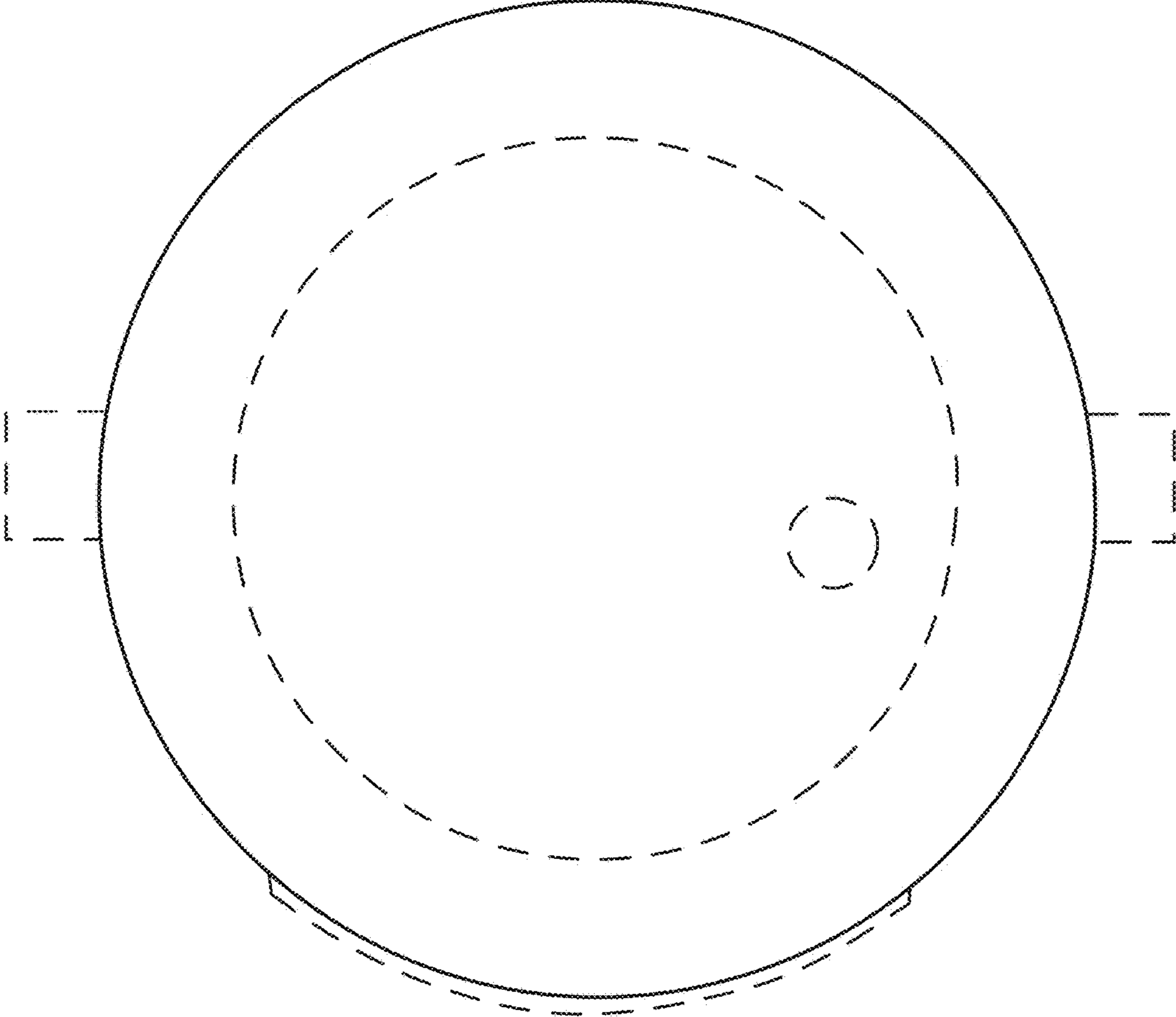


FIG. 11

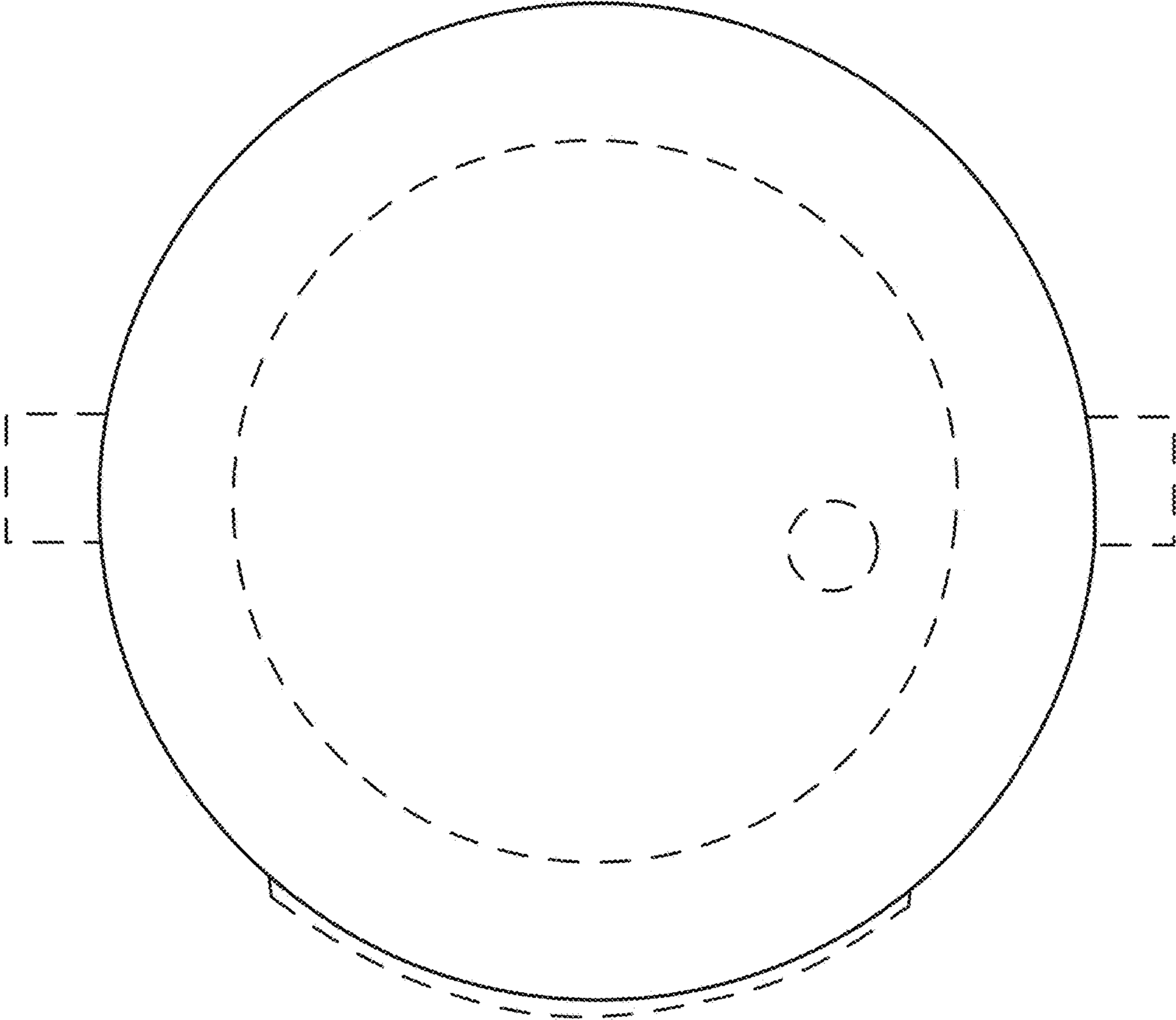


FIG. 12