



US00D913747S

(12) **United States Design Patent**  
**Colston et al.**

(10) **Patent No.:** **US D913,747 S**  
(45) **Date of Patent:** **\*\* Mar. 23, 2021**

- (54) **BARBECUE SMOKER FRONT PANEL**
- (71) Applicant: **Traeger Pellet Grills, LLC**, Salt Lake City, UT (US)
- (72) Inventors: **Michael Colston**, Salt Lake City, UT (US); **Matthew G. Czach**, Kalamazoo, MI (US)
- (73) Assignee: **Traeger Pellet Grills, LLC**, Salt Lake City, UT (US)
- (\*\*) Term: **15 Years**

- (21) Appl. No.: **29/640,938**
- (22) Filed: **Mar. 19, 2018**
- (51) **LOC (13) Cl.** ..... **07-99**
- (52) **U.S. Cl.**  
USPC ..... **D7/405**
- (58) **Field of Classification Search**  
USPC ..... D7/402, 405, 406, 332, 339, 387;  
D6/705, 705.2, 705.5, 553, 559, 560, 561  
CPC .. A47J 37/00; A47J 37/06; A47J 37/07; A47J  
37/0664; A47J 37/0786  
See application file for complete search history.

- (56) **References Cited**  
U.S. PATENT DOCUMENTS  
1,074,076 A \* 9/1913 Weichert ..... A47F 9/00  
312/140.1  
D257,968 S \* 1/1981 Rice ..... D12/196  
D371,123 S \* 6/1996 Amundsen ..... D10/108  
D526,844 S \* 8/2006 Bradshaw ..... D7/405  
D557,955 S \* 12/2007 Parshad ..... D6/559

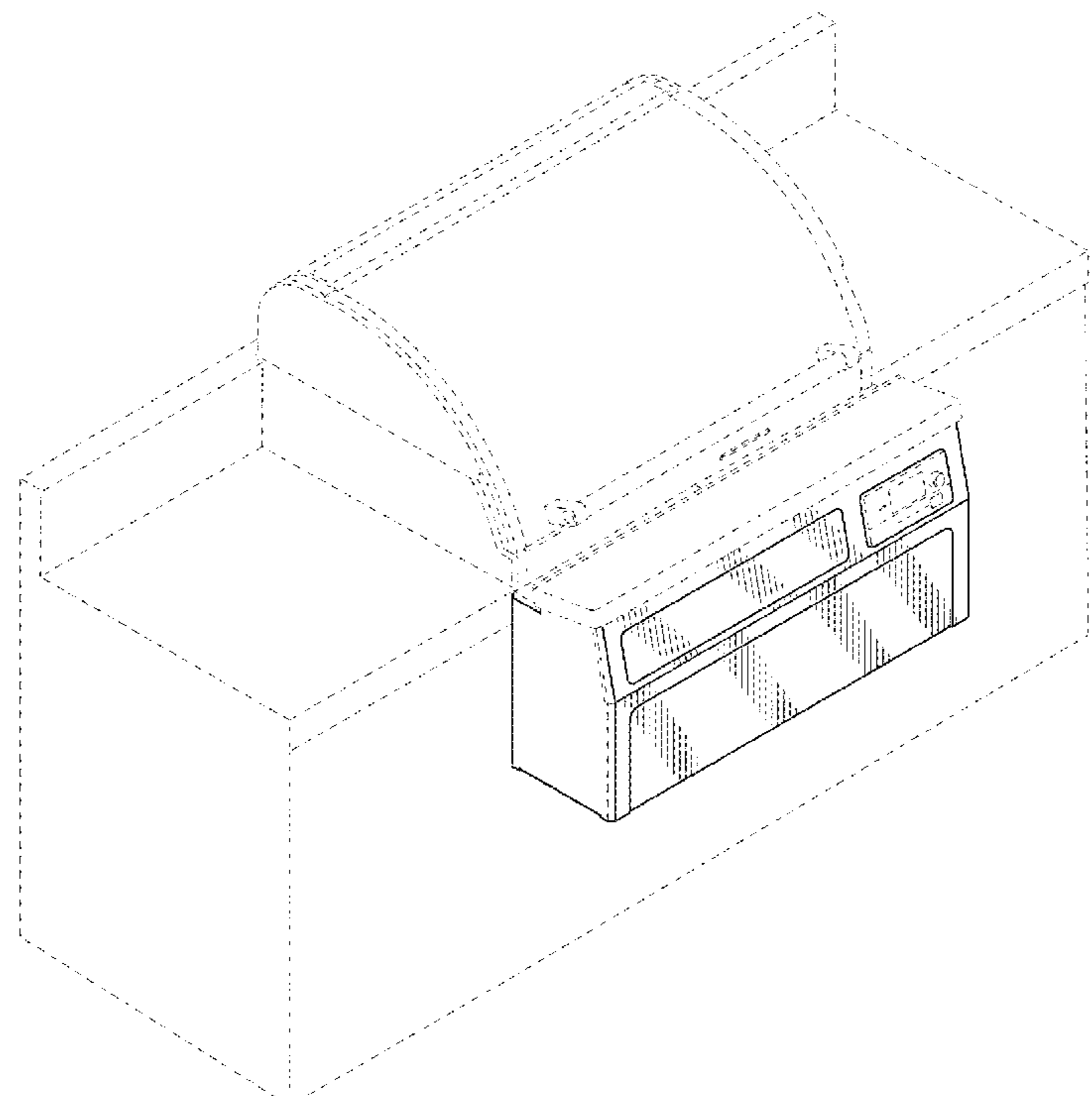
- D601,838 S \* 10/2009 Boutin ..... D6/553
- D823,618 S \* 7/2018 Lokers ..... D6/561
- D859,073 S \* 9/2019 Funnell, II ..... D7/406
- D867,064 S \* 11/2019 Funnell, II ..... D7/405
- 2018/0296030 A1\* 10/2018 Wenzel ..... F23C 3/002
- 2018/0340692 A1\* 11/2018 Kwag ..... A47J 27/004
- 2019/0254473 A1\* 8/2019 Anthony ..... A47J 37/0676
- 2019/0254478 A1\* 8/2019 Ries ..... A47J 37/0786

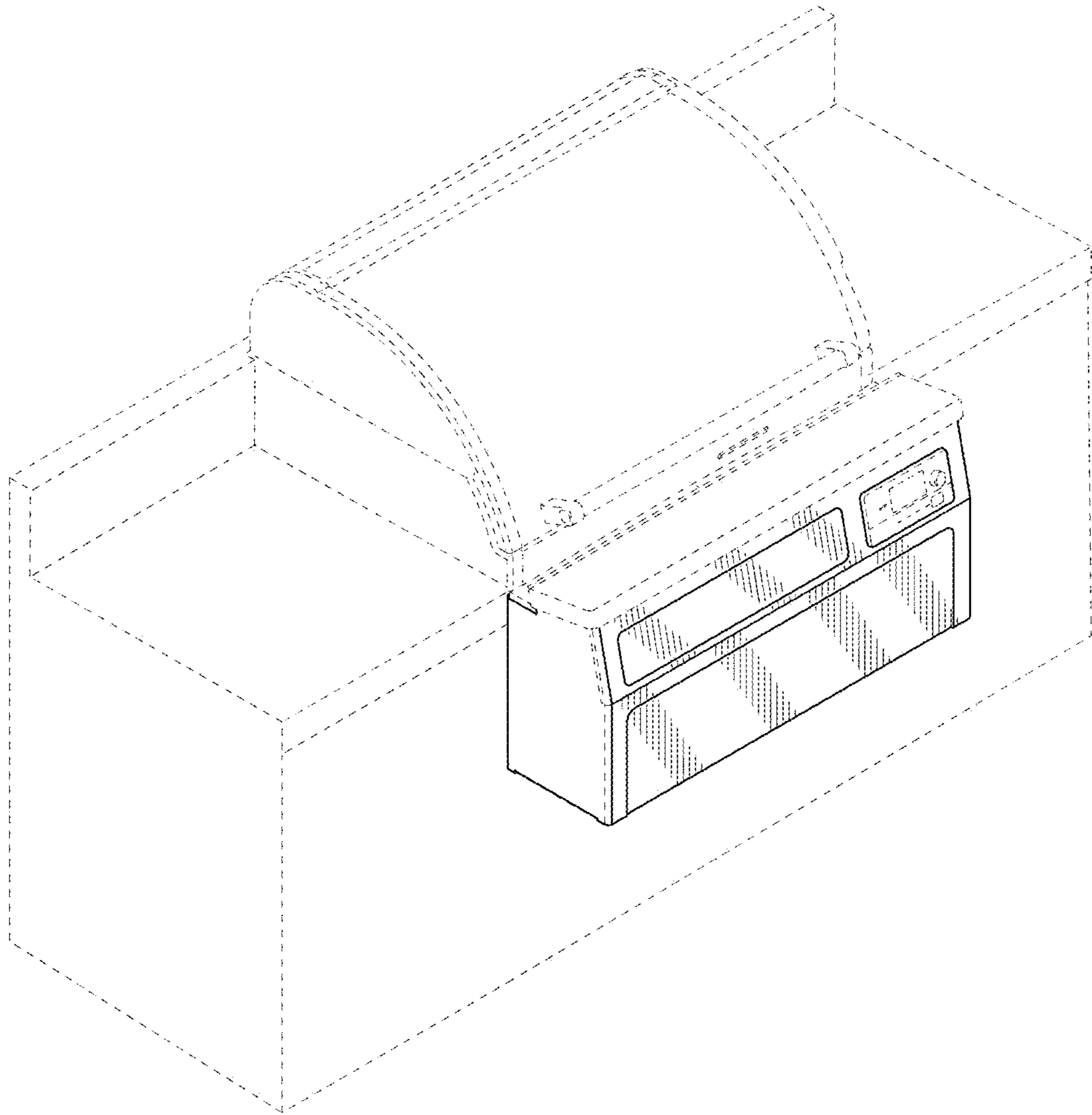
\* cited by examiner  
*Primary Examiner* — Susan E Krakower  
*Assistant Examiner* — Andrew Kerr  
(74) *Attorney, Agent, or Firm* — TraskBritt

(57) **CLAIM**  
The ornamental design for a barbecue smoker front panel, as shown and described.

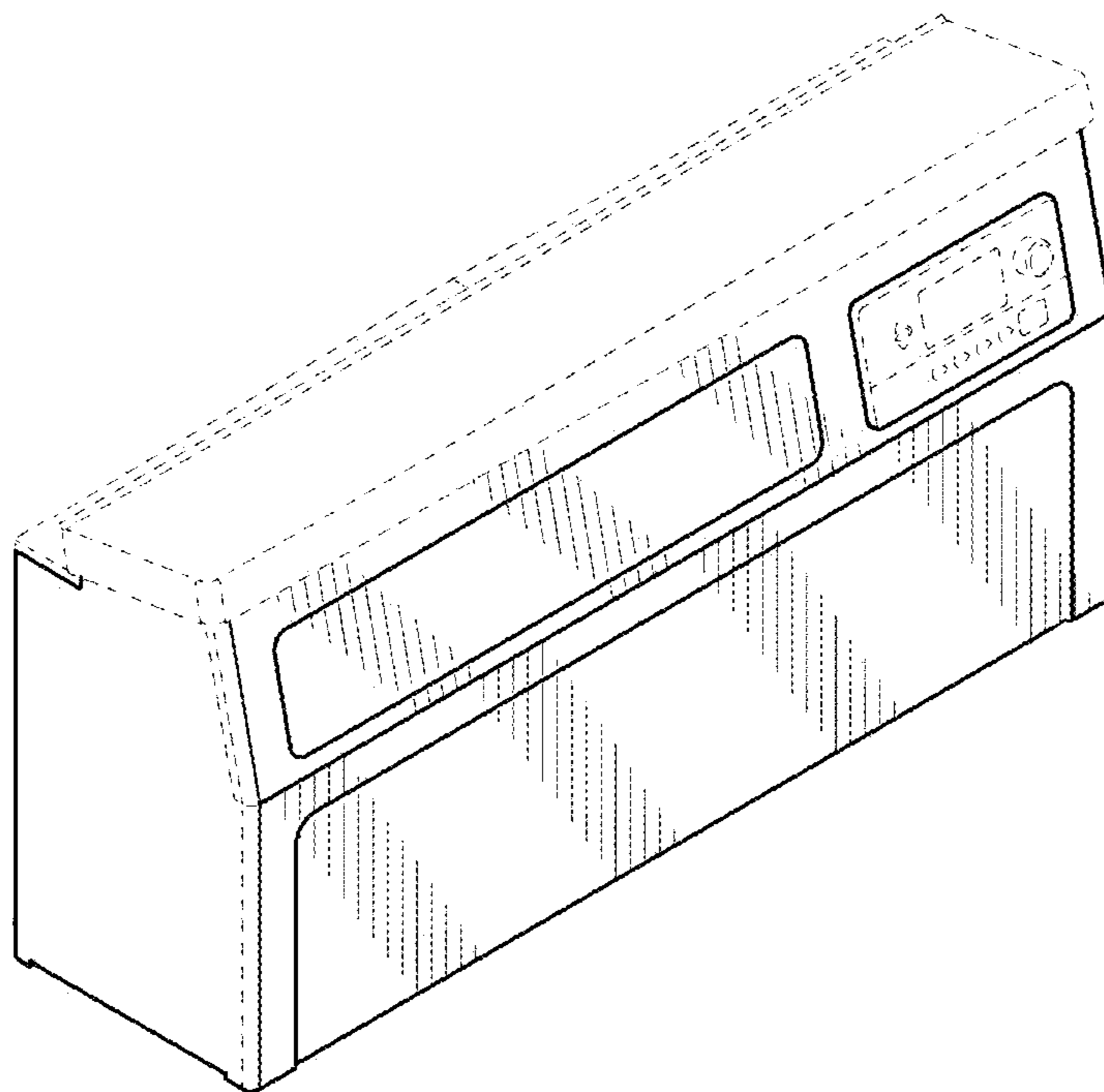
**DESCRIPTION**  
FIG. 1 is a top, front, left perspective view of a barbecue smoker front panel, showing our new design, in use condition;  
FIG. 2 is another top, front, left perspective view thereof;  
FIG. 3 is a left elevation view thereof;  
FIG. 4 is a right elevation view thereof;  
FIG. 5 is a top plan view thereof;  
FIG. 6 is a bottom plan view thereof; and,  
FIG. 7 is a front elevation view thereof.  
A rear elevation view of the barbecue smoker front panel is not provided as it does not contain any ornamentality.  
The dotted lines in the drawings illustrate environmental subject matter and form no part of the claimed design.

**1 Claim, 4 Drawing Sheets**

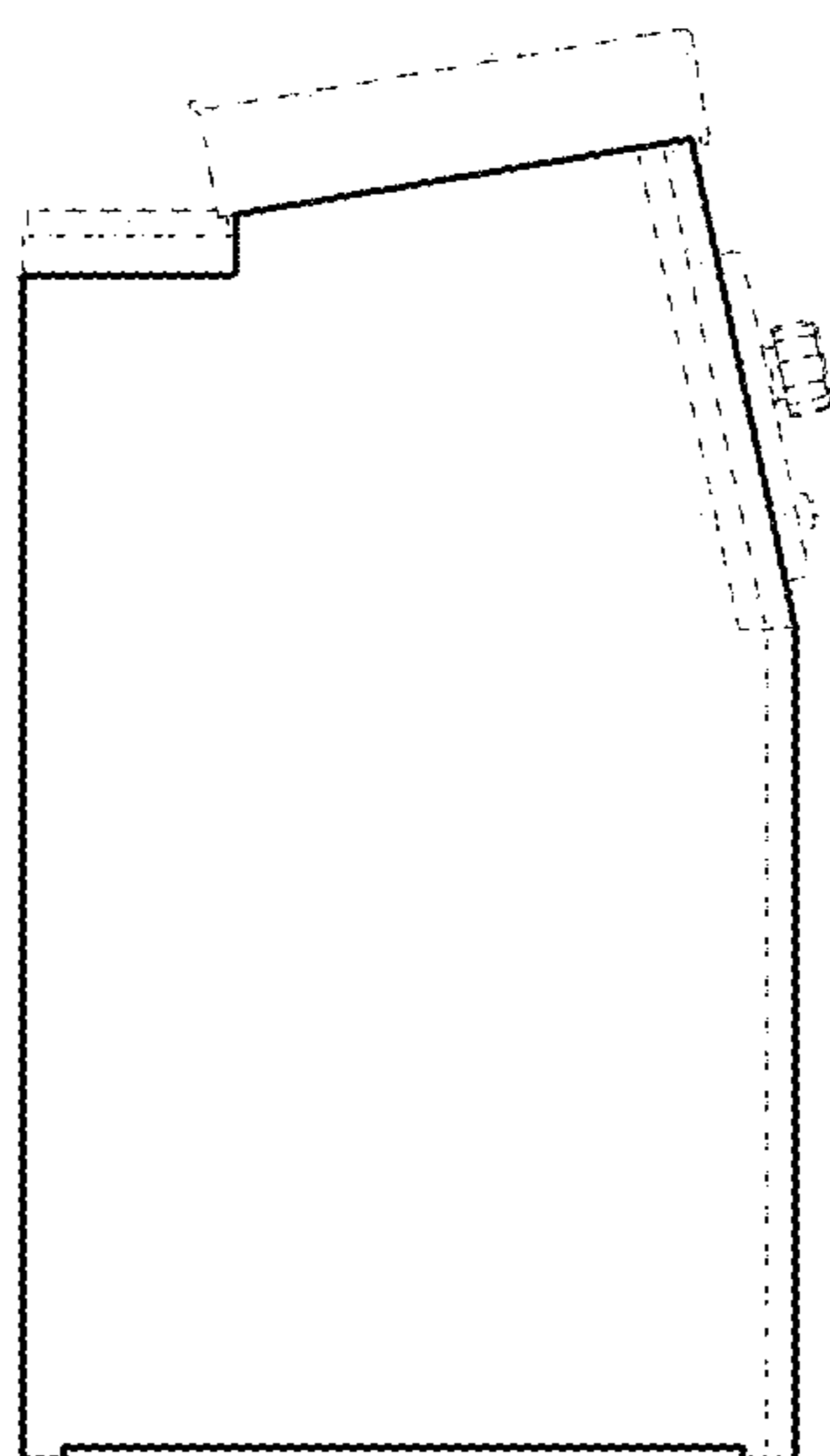




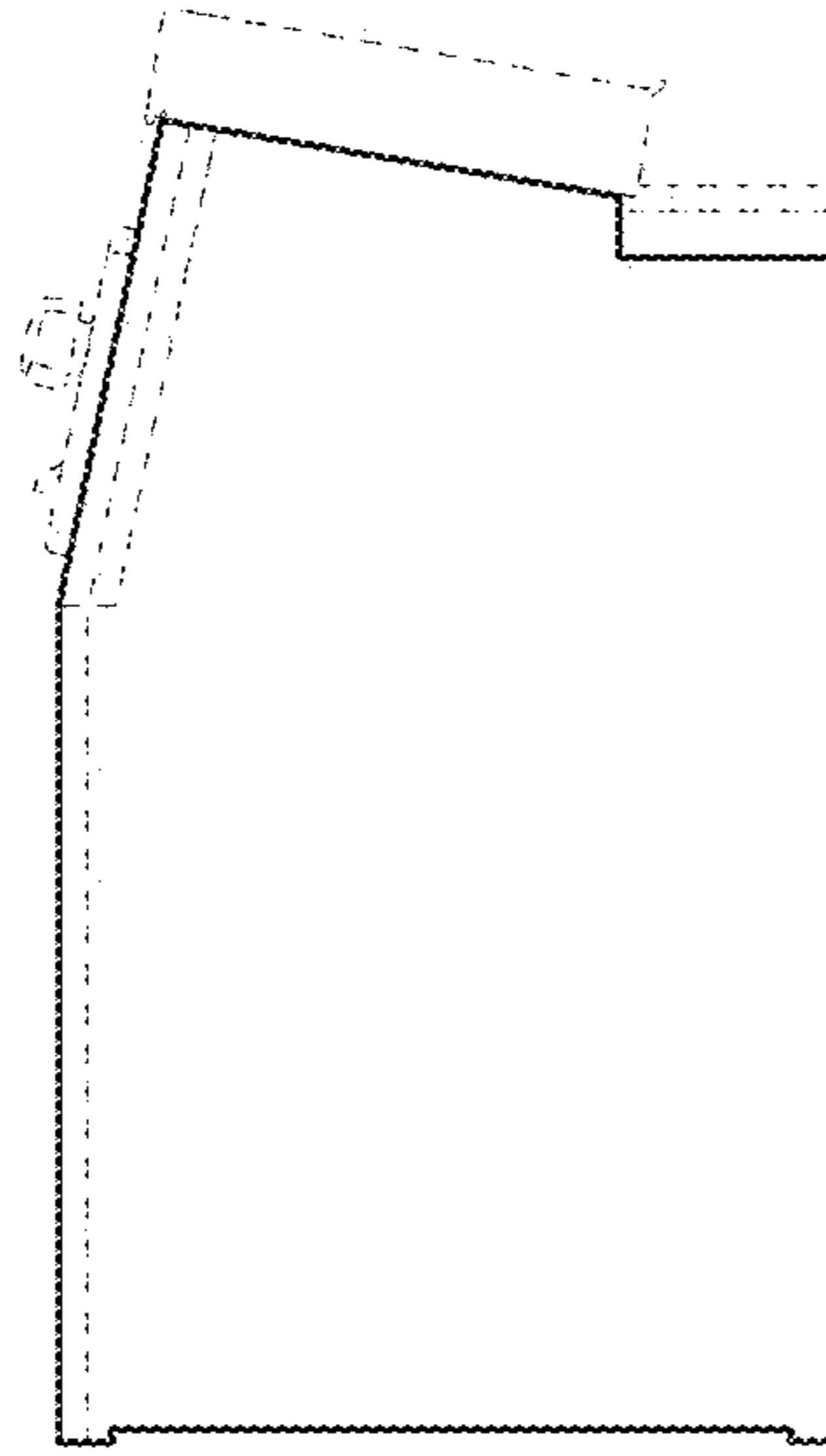
**FIG. 1**



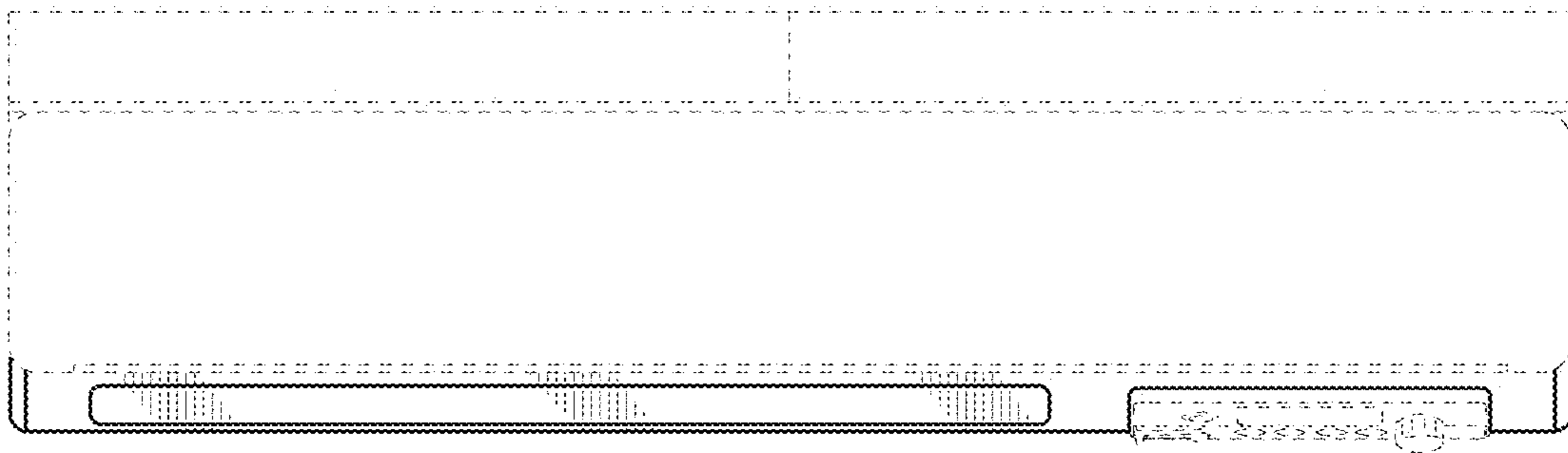
**FIG. 2**



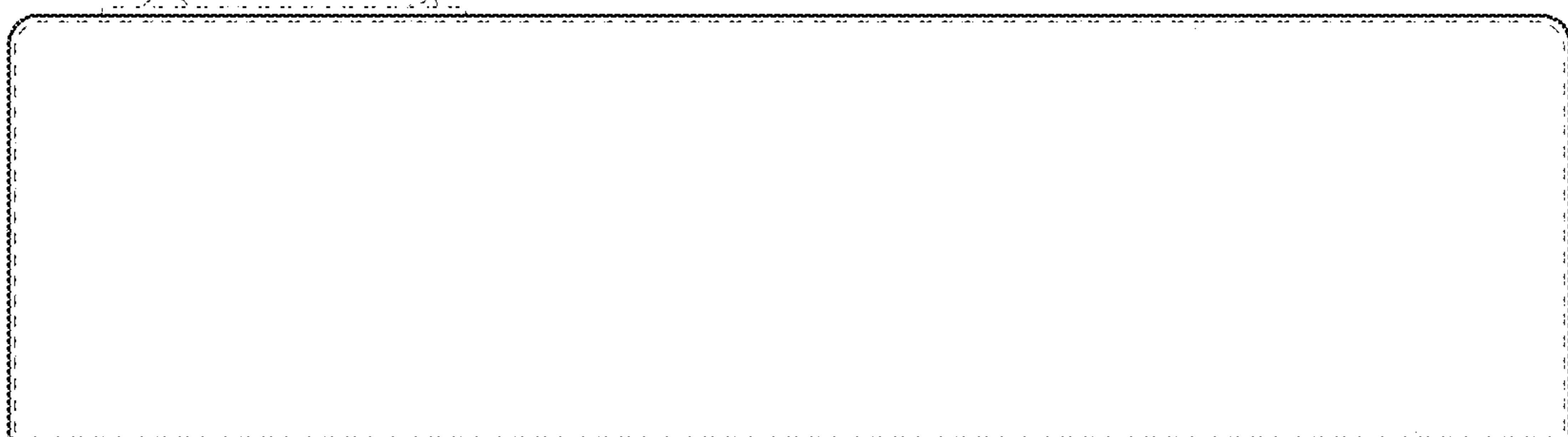
**FIG. 3**



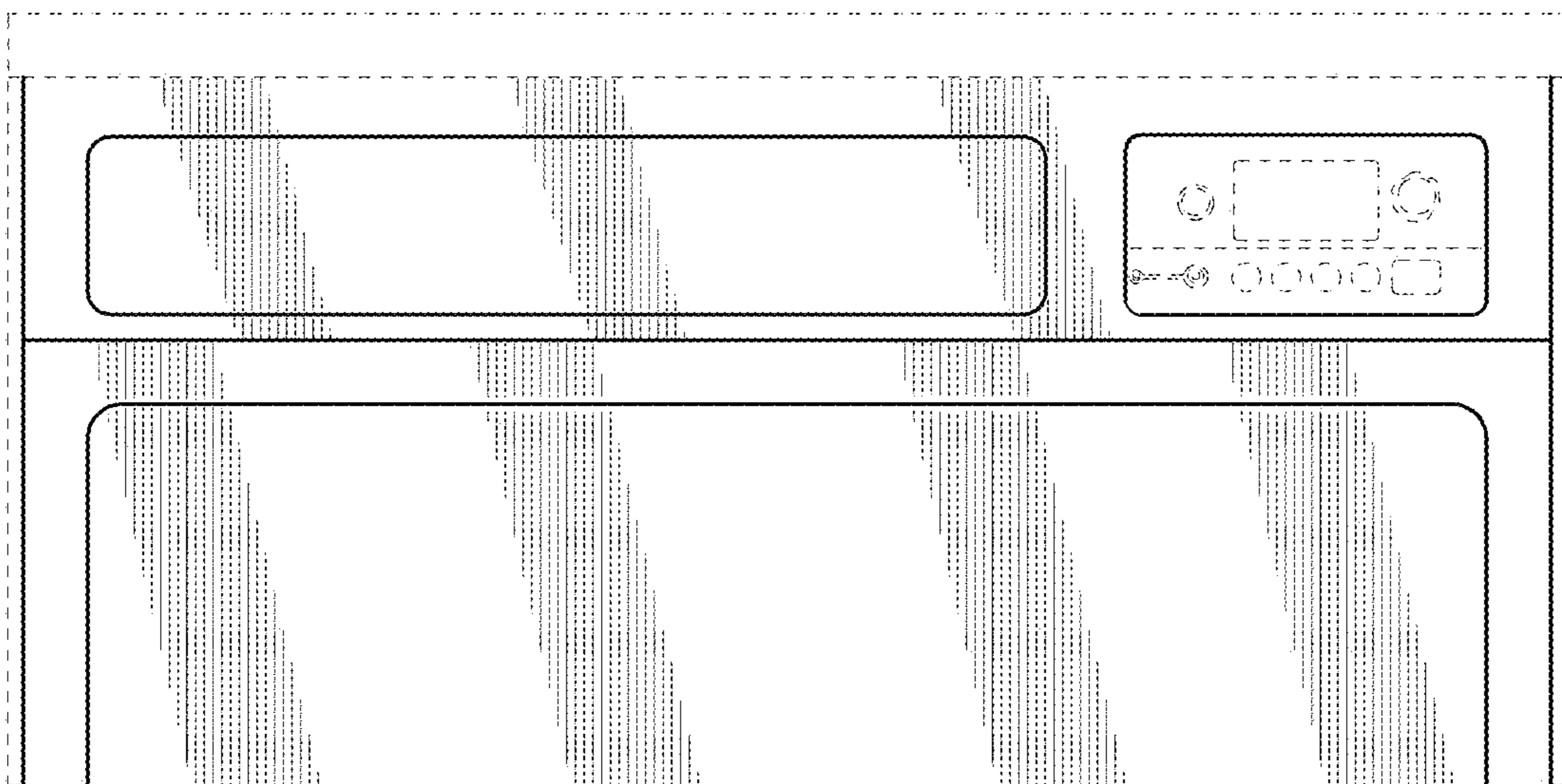
**FIG. 4**



**FIG. 5**



**FIG. 6**



**FIG. 7**