



US00D913745S

(12) **United States Design Patent** (10) **Patent No.:** **US D913,745 S**
Nichols et al. (45) **Date of Patent:** **** Mar. 23, 2021**

(54) **CONTAINER LID**
(71) Applicant: **YETI Coolers, LLC**, Austin, TX (US)
(72) Inventors: **Steve Charles Nichols**, Austin, TX (US); **Edward Naguit Abante**, Austin, TX (US); **Evan Goldberg**, Austin, TX (US)
(73) Assignee: **YETI Coolers, LLC**, Austin, TX (US)

2,957,596 A 10/1960 Rehborg
2,963,187 A 12/1960 Bramming
3,089,603 A 5/1963 Leslie-Smith
3,140,799 A 7/1964 Mehr
(Continued)

FOREIGN PATENT DOCUMENTS

AU 2017280047 A1 1/2019
AU 2016368382 B2 2/2019
(Continued)

(**) Term: **15 Years**

OTHER PUBLICATIONS

(21) Appl. No.: **29/747,807**
(22) Filed: **Aug. 25, 2020**

Amazon. YETI Rambler Bottle MagDock Cap Accessory. Apr. 11, 2019. <https://www.amazon.com/YETI-Rambler-Bottle-MagDock-Accessory/dp/B07PS5896H> (Year: 2019).*
(Continued)

Related U.S. Application Data

(63) Continuation of application No. 29/660,290, filed on Aug. 20, 2018, now Pat. No. Des. 896,572.
(51) **LOC (13) Cl.** **07-01**
(52) **U.S. Cl.**
USPC **D7/392.1; D7/396.2; D9/453**
(58) **Field of Classification Search**
USPC D7/392.1, 396.2; D9/443, 434, 435, 440, D9/447, 449, 499, 452-454
CPC . B65D 81/3869; B65D 41/0407; B65D 39/00
See application file for complete search history.

Primary Examiner — Darcey E Gottschalk
(74) *Attorney, Agent, or Firm* — Banner & Witcoff, Ltd.

(57) **CLAIM**

The ornamental design for a container lid, as shown and described.

DESCRIPTION

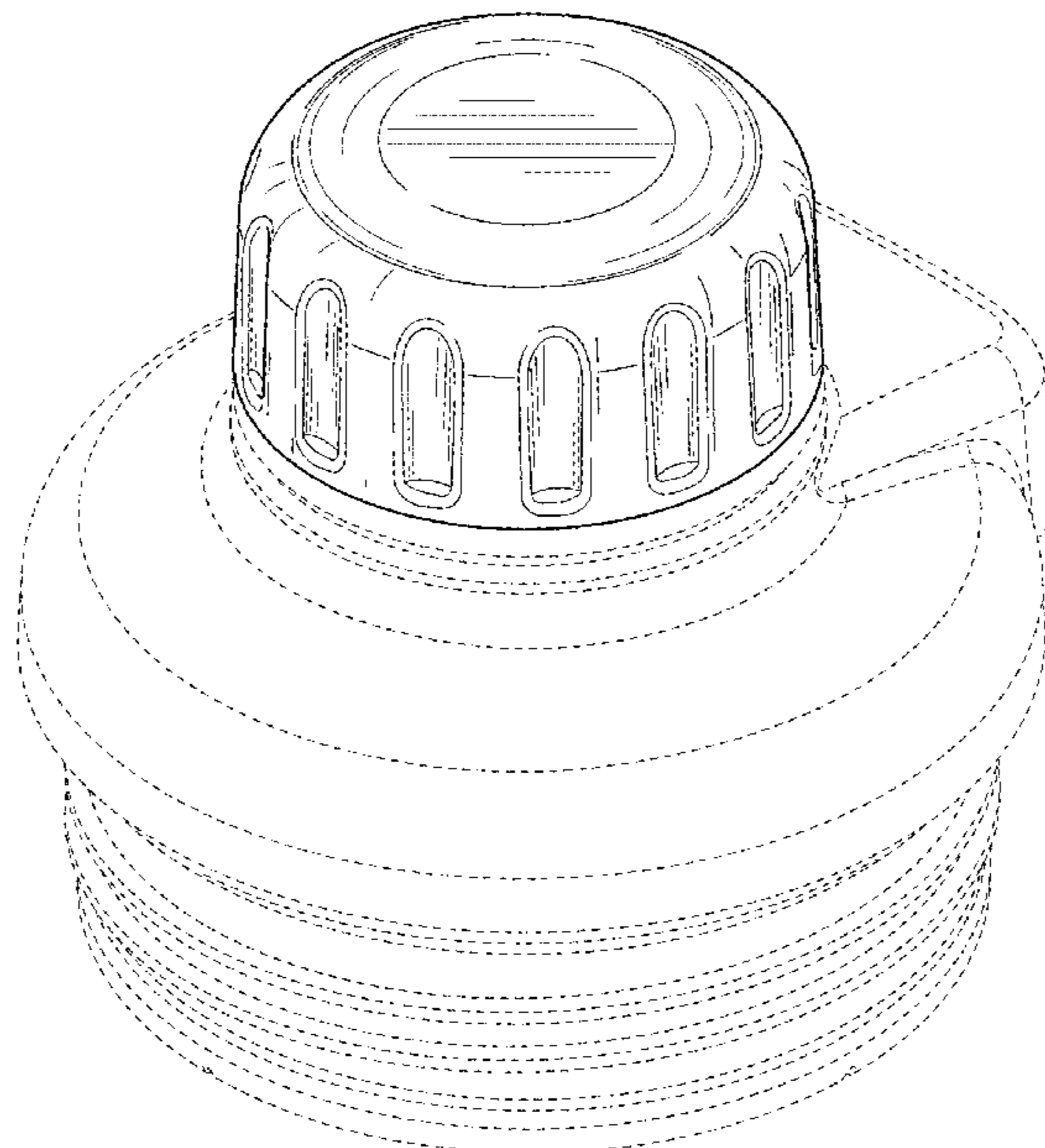
FIG. 1 is a front perspective view of a container lid showing our new design;
FIG. 2 is a front view thereof;
FIG. 3 is a rear view thereof;
FIG. 4 is a right side view thereof;
FIG. 5 is a left side view thereof;
FIG. 6 is a top view thereof;
FIG. 7 is a bottom view thereof; and,
FIG. 8 is a front perspective view of an alternative claimed configuration of a container lid showing our new design. The broken lines depicting the remainder of the container lid form no part of the claimed design.

(56) **References Cited**

U.S. PATENT DOCUMENTS

1,477,936 A 12/1923 Bolt
D101,575 S 10/1936 Windbiel
D109,331 S 4/1938 McManus et al.
D154,378 S 7/1949 Fuller
2,735,566 A 2/1956 Bramming
D177,761 S 5/1956 Reinhardt
2,804,103 A 8/1957 Wall
2,881,776 A 4/1959 Wrage

1 Claim, 5 Drawing Sheets



(56)

References Cited

U.S. PATENT DOCUMENTS

3,141,586	A	7/1964	Wetterek	D456,669	S	5/2002	Munari
3,220,695	A	11/1965	Downey et al.	D458,133	S	6/2002	Berish et al.
3,239,090	A	3/1966	Bramming	D458,134	S	6/2002	Berish et al.
3,249,268	A	5/1966	Neuner	D466,814	S	12/2002	Hurlburt
3,285,453	A	11/1966	Wagner	6,530,496	B2	3/2003	Moran
3,307,752	A	3/1967	Anderson	6,536,618	B1	3/2003	Hwang et al.
3,439,843	A	4/1969	Corsette	D475,924	S	6/2003	Haffner
3,456,840	A	7/1969	McAlaster	D476,890	S	7/2003	Hirose
3,592,349	A	7/1971	Baugh	6,601,740	B1	8/2003	Clive
3,638,821	A	2/1972	Guala	D479,800	S	9/2003	McRae
D224,646	S	8/1972	Vollquartz	D479,995	S	9/2003	Duceppe
3,752,347	A	8/1973	Bell	D480,599	S	10/2003	Linz et al.
3,776,433	A	12/1973	De Treitas	D482,607	S	11/2003	McRae
3,785,539	A	1/1974	Wetterek	6,648,158	B1	11/2003	Lawrence
3,842,790	A	10/1974	Clark	6,651,838	B2	11/2003	Bissell
3,863,798	A	2/1975	Kurihara et al.	6,662,978	B2	12/2003	Lin et al.
3,874,541	A	4/1975	Lagneaux et al.	6,675,998	B2	1/2004	Forsman et al.
D235,303	S	6/1975	Boucher	6,702,138	B1	3/2004	Bielecki et al.
D248,373	S	7/1978	Allen	D490,275	S	5/2004	Moran
4,190,173	A	2/1980	Mason et al.	D494,064	S	8/2004	Hook
D256,651	S	9/1980	Leung et al.	D494,425	S	8/2004	Segura
4,358,024	A	11/1982	Underwood	6,908,015	B2	6/2005	Choi et al.
4,497,422	A	2/1985	Klees	D507,495	S	7/2005	Williams et al.
D279,346	S	6/1985	Ruxton	D511,457	S	11/2005	Biesecker et al.
D281,567	S	12/1985	Zimmermann	D521,314	S	5/2006	Ball
D286,604	S	11/1986	Bierlein et al.	D524,909	S	7/2006	Bakke et al.
D286,847	S	11/1986	Zimmermann	D525,518	S	7/2006	Baldwin
D287,211	S	12/1986	Weiss	D528,910	S	9/2006	Kingsley
D289,614	S	5/1987	Sanchez et al.	D530,141	S	10/2006	Wilgus et al.
D292,492	S	10/1987	Ross et al.	D533,032	S	12/2006	Liu et al.
4,723,677	A	2/1988	Nagel, Jr.	D536,929	S	2/2007	Kingsley
4,867,303	A	9/1989	Beckerman et al.	D536,974	S	2/2007	Smith et al.
4,981,233	A	1/1991	Scheurer	7,172,101	B2	2/2007	Find
D321,628	S	11/1991	Kobayashi et al.	D537,676	S	3/2007	Kingsley
D325,167	S	4/1992	Hurnfress	D537,714	S	3/2007	Yerby et al.
5,105,975	A	4/1992	Patterson	D540,625	S	4/2007	Sandberg
D329,809	S	9/1992	Bloomfield	D548,006	S	8/2007	Lapsker
D332,379	S	1/1993	Murphy	D548,082	S	8/2007	Kingsley
5,190,178	A	3/1993	Luch	D549,444	S	8/2007	Schnackenberg
5,211,299	A	5/1993	Manfredonia	7,270,244	B1	9/2007	Liu
5,232,112	A	8/1993	Howard	D553,914	S	10/2007	Wahl
5,249,703	A	10/1993	Karp	D554,000	S	10/2007	Walsh
5,251,788	A	10/1993	Moore	D557,994	S	12/2007	Wahl
D354,915	S	1/1995	Schneider et al.	D564,363	S	3/2008	Rhea
5,392,967	A	2/1995	Satomi et al.	D567,007	S	4/2008	Bodum
D361,265	S	8/1995	Doxey	D567,021	S	4/2008	Bach et al.
5,490,622	A	2/1996	Tardif	D569,195	S	5/2008	Kim
D368,224	S	3/1996	Arndt	D572,585	S	7/2008	Perrin et al.
5,498,333	A	3/1996	Canther	D574,237	S	8/2008	Yates, III
D370,629	S	6/1996	Lynch	D581,211	S	11/2008	Lapsker
5,605,241	A	2/1997	Imperioli	D582,206	S	12/2008	Fuller
D381,911	S	8/1997	Lathrop et al.	D583,200	S	12/2008	Moran
D384,280	S	9/1997	Kuczer	7,458,486	B2	12/2008	Weist et al.
D398,193	S	9/1998	Sanchez	D584,623	S	1/2009	Chupak
5,813,557	A	9/1998	Dratz	D586,183	S	2/2009	Junkel
5,839,611	A	11/1998	Obadia et al.	D587,533	S	3/2009	Carreno
D402,510	S	12/1998	Miller	D589,348	S	3/2009	Miller et al.
D405,642	S	2/1999	Toriba	D594,346	S	6/2009	Mouquet
D405,650	S	2/1999	Meier	D599,616	S	9/2009	Cresswell et al.
D407,211	S	3/1999	Diviak, Sr.	D601,436	S	10/2009	Stephens et al.
D407,273	S	3/1999	Moran	D603,331	S	11/2009	Schupp
D410,175	S	5/1999	Moran	D603,722	S	11/2009	Reimer
5,909,820	A	6/1999	Yeh	D604,181	S	11/2009	Reimer
D415,395	S	10/1999	Hunt et al.	D604,561	S	11/2009	Chisholm
D415,936	S	11/1999	Moran	D605,040	S	12/2009	Fry et al.
D422,916	S	4/2000	Herrmann	D605,060	S	12/2009	Reimer
6,079,589	A	6/2000	Matsuyama et al.	D605,942	S	12/2009	Miksovsky
6,102,227	A	8/2000	Cochrane	D610,871	S	3/2010	Alviar et al.
6,102,244	A	8/2000	Kuwano et al.	D611,296	S	3/2010	Ingman et al.
D437,528	S	2/2001	Kitamura et al.	D611,346	S	3/2010	Camomile
6,264,072	B1	7/2001	Johannes	D612,197	S	3/2010	Chan
D447,410	S	9/2001	Malmborg	D612,235	S	3/2010	Cresswell et al.
6,321,924	B1	11/2001	Yurkewicz et al.	D612,660	S	3/2010	Bodum
6,332,557	B1	12/2001	Moran	D614,918	S	5/2010	Chisholm
6,357,628	B1	3/2002	Long, Jr.	D614,955	S	5/2010	Cresswell et al.
				D615,360	S	5/2010	Joy et al.
				D615,361	S	5/2010	Goble
				D615,816	S	5/2010	Joy et al.
				D616,703	S	6/2010	Joy et al.

(56)

References Cited

U.S. PATENT DOCUMENTS

D616,743 S	6/2010	Cresswell et al.	D664,809 S	8/2012	Eyal
D616,744 S	6/2010	Cresswell et al.	D665,621 S	8/2012	Eyal
D619,457 S	7/2010	Walsh	8,245,600 B2	8/2012	Beard
D619,458 S	7/2010	Walsh	8,245,870 B2	8/2012	McKinney et al.
D619,459 S	7/2010	Walsh	8,251,247 B1	8/2012	Breckner
D620,798 S	8/2010	Cresswell et al.	D666,908 S	9/2012	Dabah et al.
D621,207 S	8/2010	Bodum	8,256,631 B2	9/2012	Hoffmann et al.
D621,257 S	8/2010	Gullickson et al.	8,272,532 B2	9/2012	Michaelian et al.
D621,258 S	8/2010	Gullickson et al.	D668,913 S	10/2012	Mayer
D621,648 S	8/2010	Lown et al.	8,292,133 B2	10/2012	Baughman et al.
D622,089 S	8/2010	Daniel et al.	D670,137 S	11/2012	Gilbert
D622,145 S	8/2010	Walsh	D671,372 S	11/2012	Zou
D623,475 S	9/2010	Aarnoudse et al.	D672,238 S	12/2012	Aziz et al.
D623,480 S	9/2010	Moran	D672,609 S	12/2012	Aziz et al.
D623,481 S	9/2010	Moran	D673,459 S	1/2013	Moran, Sr.
D625,560 S	10/2010	Olson et al.	D675,100 S	1/2013	Herbst
D626,414 S	11/2010	Cresswell et al.	D675,865 S	2/2013	Wahl
D626,416 S	11/2010	Cresswell et al.	D676,706 S	2/2013	Kern et al.
D627,601 S	11/2010	Eyal	D676,764 S	2/2013	Moore et al.
D627,602 S	11/2010	Eyal	D677,103 S	3/2013	Melzer
D627,604 S	11/2010	Eyal	D677,119 S	3/2013	Ying
D628,018 S	11/2010	Gilbert	D678,729 S	3/2013	Peeters et al.
D628,486 S	12/2010	Lane	D678,772 S	3/2013	Johnson et al.
D628,898 S	12/2010	Bamett et al.	D679,185 S	4/2013	Brown et al.
D628,900 S	12/2010	Barnett et al.	D680,389 S	4/2013	Zemel et al.
D628,901 S	12/2010	Barnett et al.	D682,016 S	5/2013	Knight
D629,689 S	12/2010	Cresswell et al.	D682,617 S	5/2013	Miksovsky et al.
D629,690 S	12/2010	Cresswell et al.	8,443,993 B1	5/2013	Desselle
D629,691 S	12/2010	Cresswell et al.	8,443,994 B1	5/2013	Desselle
D630,474 S	1/2011	Gilbert	D684,059 S	6/2013	Johnson et al.
D630,475 S	1/2011	Lu	8,459,468 B2	6/2013	Lin
D631,349 S	1/2011	Arnell et al.	D686,078 S	7/2013	Johnson et al.
7,870,968 B2	1/2011	Hanson	D688,093 S	8/2013	Roth et al.
D631,666 S	2/2011	Lim et al.	8,505,760 B2	8/2013	Ott
D633,338 S	3/2011	Rosbach et al.	8,505,787 B2	8/2013	Fox et al.
D633,794 S	3/2011	Cresswell et al.	D690,987 S	10/2013	Gallen
D633,795 S	3/2011	Cresswell et al.	D690,988 S	10/2013	Audette
D633,796 S	3/2011	Cresswell et al.	D691,848 S	10/2013	Trudeau et al.
D633,797 S	3/2011	Cresswell et al.	8,550,269 B2	10/2013	Lane
D634,156 S	3/2011	Fuller et al.	D693,628 S	11/2013	Tavener et al.
D634,160 S	3/2011	Cetera	D693,698 S	11/2013	Miller, Jr.
D635,457 S	4/2011	Lane	8,584,902 B2	11/2013	Dejonge
D635,856 S	4/2011	Lauret	D695,138 S	12/2013	Ball
D638,695 S	5/2011	Woodrow et al.	8,613,369 B2	12/2013	Kitto
D638,708 S	5/2011	Walsh	D696,945 S	1/2014	Newman
D639,164 S	6/2011	Walsh	D697,404 S	1/2014	Johnson et al.
D639,177 S	6/2011	Pape	D697,802 S	1/2014	Lane
D639,661 S	6/2011	Llerena	8,622,229 B2	1/2014	Lane
D639,663 S	6/2011	Llerena	D698,668 S	2/2014	Vaughn
D640,466 S	6/2011	Staton	D701,464 S	3/2014	Ogata et al.
D641,257 S	7/2011	Thiebaut et al.	D702,092 S	4/2014	Mettler et al.
D641,591 S	7/2011	Tsukida	D702,506 S	4/2014	Mettler et al.
D643,691 S	8/2011	Selina et al.	8,695,822 B2	4/2014	Kwon
D643,693 S	8/2011	Jama	8,701,881 B2	4/2014	Gibson et al.
D645,709 S	9/2011	Endo	8,701,924 B2	4/2014	Dalbec
8,011,535 B2	9/2011	Tauber et al.	8,708,176 B2	4/2014	Andis
D648,984 S	11/2011	Gullickson et al.	D703,998 S	5/2014	Funnell, II et al.
D651,050 S	12/2011	Goshi	8,720,730 B2	5/2014	Bodden, Jr.
D651,847 S	1/2012	Gilbert	8,752,720 B1	6/2014	Habig et al.
D652,255 S	1/2012	Carland	D708,484 S	7/2014	Bishop
D652,682 S	1/2012	Eyal	D708,914 S	7/2014	Moran, Sr.
D653,499 S	2/2012	Dietterle et al.	D708,954 S	7/2014	Barnes et al.
D654,762 S	2/2012	Gilbert	D709,734 S	7/2014	Kotani
D655,134 S	3/2012	Gilbert	8,777,031 B2	7/2014	Aneas
D655,581 S	3/2012	Kotani	D712,254 S	9/2014	Geis et al.
D657,196 S	4/2012	Beyers III	D712,255 S	9/2014	Geis et al.
D657,994 S	4/2012	Wahl et al.	D713,268 S	9/2014	Jones et al.
D658,064 S	4/2012	Barnes et al.	D713,365 S	9/2014	Green
D658,445 S	5/2012	Carreno	8,833,586 B2	9/2014	Meyers et al.
D659,007 S	5/2012	Pape	D714,584 S	10/2014	Boroski
D660,084 S	5/2012	Gilbert	D717,102 S	11/2014	Taketani et al.
8,177,097 B2	5/2012	Duran	D717,601 S	11/2014	Dixon
D662,360 S	6/2012	George	D719,780 S	12/2014	Sullivan
8,210,572 B2	7/2012	Davis	8,905,252 B2	12/2014	Latham et al.
8,215,511 B1	7/2012	Lin	D724,385 S	3/2015	Hurley et al.
			D724,435 S	3/2015	Kaufman et al.
			8,967,414 B2	3/2015	Lane
			8,985,406 B2	3/2015	Tachi
			D728,315 S	5/2015	Bo

(56)

References Cited

U.S. PATENT DOCUMENTS

D728,995 S	5/2015	Barberi	D802,419 S	11/2017	Seiders et al.
D729,579 S	5/2015	Molayem	D802,994 S	11/2017	Seiders et al.
D729,584 S	5/2015	Weston et al.	D806,465 S	1/2018	Boroski
D732,402 S	6/2015	Jones et al.	D806,543 S	1/2018	Finkbohner et al.
D734,154 S	7/2015	Johnson et al.	9,919,860 B2	3/2018	Dabah
D734,638 S	7/2015	Wahl	9,926,115 B2	3/2018	Jung et al.
D735,033 S	7/2015	Lynd et al.	D814,852 S	4/2018	Melanson et al.
D735,038 S	7/2015	Tamarindo	D814,930 S	4/2018	Tremayne et al.
D735,578 S	8/2015	Mazurkiewicz et al.	D816,397 S *	5/2018	Karl, IV D7/392.1
9,113,698 B2	8/2015	Blain et al.	D816,426 S	5/2018	Washburn et al.
9,126,731 B2	9/2015	Chen	D817,085 S *	5/2018	Davis D7/392.1
D741,655 S	10/2015	Whelan et al.	D817,114 S	5/2018	Beckman
D743,255 S	11/2015	Niggemyer	D818,775 S	5/2018	Woodruff
D743,742 S	11/2015	Rummel et al.	D819,402 S	6/2018	Silsby et al.
D744,781 S	12/2015	Rummel et al.	D819,443 S	6/2018	Martinez Carregui et al.
9,205,445 B2	12/2015	Fang	D820,039 S	6/2018	Fitzsimons
9,215,942 B2	12/2015	Bodum	10,029,832 B2	7/2018	Isogai
D748,472 S	2/2016	Seybel et al.	10,040,593 B2	8/2018	Ross et al.
D748,955 S	2/2016	Oliver	D828,722 S	9/2018	Davis
D751,345 S	3/2016	Lane et al.	D831,414 S *	10/2018	Diener D7/392
D751,399 S	3/2016	Lynd et al.	D831,434 S	10/2018	Washburn et al.
D751,898 S	3/2016	D'Anglade	10,086,980 B2	10/2018	Isogai
9,272,822 B2	3/2016	Samartgis	D834,938 S	12/2018	Barnes et al.
D754,472 S	4/2016	Munari	D835,937 S	12/2018	Nichols
D754,537 S	4/2016	Prozumenshchikov	D836,387 S	12/2018	Silsby et al.
D755,561 S	5/2016	Eyal	D836,388 S	12/2018	Abante et al.
D757,543 S	5/2016	Sorensen et al.	D836,389 S	12/2018	Abante et al.
9,346,591 B2	5/2016	Martinengo	D836,977 S	1/2019	Sorensen et al.
D758,136 S	6/2016	Liotta et al.	D839,476 S	1/2019	Whetsel et al.
D758,790 S	6/2016	Boroski	10,167,120 B1	1/2019	Levy et al.
D758,791 S	6/2016	Hanna et al.	10,183,791 B2	1/2019	Friedrich et al.
D758,804 S	6/2016	Liotta et al.	10,189,619 B1	1/2019	Crawley
D758,859 S	6/2016	Sorensen et al.	10,196,179 B2	2/2019	Wisniewski
D759,487 S	6/2016	Jayakaran	10,196,185 B2	2/2019	Zoppas
9,376,243 B2	6/2016	Cervený	10,196,186 B2	2/2019	Cox
D760,586 S	7/2016	Seiders et al.	10,202,224 B2	2/2019	Painchaud
D761,624 S	7/2016	McLean et al.	10,214,323 B2	2/2019	Conley et al.
D762,418 S	8/2016	Sorensen et al.	D842,030 S	3/2019	Meyers
D763,076 S	8/2016	Lane et al.	D842,038 S	3/2019	Seiders et al.
D763,688 S	8/2016	Breit et al.	D843,778 S *	3/2019	Yao D7/392.1
D764,916 S	8/2016	Mount, III et al.	D848,786 S *	5/2019	Bujalska D7/392.1
D767,390 S	9/2016	Miksovsky et al.	D858,181 S *	9/2019	Lown D7/392.1
D772,021 S	11/2016	Joy	10,414,558 B2	9/2019	Kim
D772,652 S	11/2016	Yao	D862,977 S	10/2019	Bohman et al.
D772,718 S	11/2016	Lee	D870,509 S *	12/2019	Bo D7/392.1
9,493,274 B2	11/2016	Ledun et al.	D881,640 S *	4/2020	Nichols D7/392.1
9,493,283 B2	11/2016	Tuyn	D894,670 S *	9/2020	Adams, Jr. D7/392.1
D773,250 S	12/2016	Miller	D895,352 S *	9/2020	Yao D7/392.1
D773,938 S	12/2016	Weber	2002/0014498 A1	2/2002	Forsman et al.
D774,826 S	12/2016	Boroski	2003/0141321 A1	7/2003	Sekendur
9,522,770 B2	12/2016	Pichrt	2003/0155323 A1	8/2003	Ekkert
9,532,671 B2	1/2017	Lin	2004/0016715 A1	1/2004	Strikovic
D778,117 S	2/2017	Du	2004/0201224 A1	10/2004	Chang
D778,118 S	2/2017	Du	2004/0206721 A1	10/2004	Swanberg et al.
D778,725 S	2/2017	Sorensen et al.	2005/0274741 A1	12/2005	Cho
9,586,733 B2	3/2017	Garza	2006/0180585 A1	8/2006	Cunningham et al.
D784,812 S	4/2017	Miller	2007/0108153 A1	5/2007	Weist
D786,012 S	5/2017	Hein et al.	2007/0199914 A1	8/2007	Hung
D786,072 S *	5/2017	Breit D9/443	2007/0251956 A1	11/2007	Wasserman et al.
D787,893 S	5/2017	Seiders et al.	2008/0142466 A1	6/2008	Balitski
D790,913 S	7/2017	Stover et al.	2008/0230506 A1	9/2008	Lantz et al.
D791,542 S	7/2017	Miksovsky et al.	2009/0045194 A1	2/2009	Rhee
D792,216 S	7/2017	Breit et al.	2009/0084752 A1	4/2009	Coulson
D792,765 S	7/2017	Buck	2009/0101644 A1	4/2009	Maiwald et al.
9,694,953 B2	7/2017	Meyers et al.	2009/0235701 A1	9/2009	Lin
9,708,108 B2	7/2017	Gregory et al.	2009/0236341 A1	9/2009	McKinney et al.
D795,008 S	8/2017	Eyal	2010/0012615 A1	1/2010	Brooks
9,745,110 B2	8/2017	Boyer et al.	2010/0089151 A1	4/2010	Mantilla et al.
D797,498 S	9/2017	Sorensen et al.	2010/0200602 A1	8/2010	Chan
9,771,189 B2	9/2017	Miksovsky et al.	2010/0215294 A1	8/2010	Berman
D799,269 S	10/2017	Vargo	2010/0237078 A1	9/2010	Lentz et al.
D799,909 S	10/2017	Partridge	2011/0056386 A1	3/2011	Taketani
D799,963 S	10/2017	Akiyama	2011/0186585 A1	8/2011	Lu
9,801,969 B2	10/2017	Griffis	2011/0198352 A1	8/2011	Lown et al.
D802,375 S	11/2017	Kao	2012/0074143 A1	3/2012	Lin
			2012/0199548 A1	8/2012	Kitto
			2013/0136382 A1	5/2013	Barron
			2013/0306642 A1	11/2013	Dabah et al.
			2014/0069917 A1	3/2014	Meyers et al.

(56)

References Cited

U.S. PATENT DOCUMENTS

2014/0251938 A1 9/2014 Rose et al.
 2014/0312077 A1 10/2014 Tajima et al.
 2014/0353275 A1 12/2014 Hung
 2015/0191293 A1 7/2015 Forcella
 2015/0251812 A1 9/2015 Gillie
 2015/0314929 A1 11/2015 Tebbe et al.
 2015/0374151 A1 12/2015 Lin
 2016/0159538 A1 6/2016 Michie
 2016/0167852 A1 6/2016 Moradi
 2016/0176587 A1 6/2016 Heraud
 2016/0192797 A1 7/2016 Yang
 2016/0256359 A1 9/2016 Trawick et al.
 2016/0318693 A1 11/2016 Hein et al.
 2016/0355305 A1 12/2016 Hoskins
 2017/0001772 A1 1/2017 Rho
 2017/0043916 A1 2/2017 Seiders et al.
 2017/0127859 A1 5/2017 Hornung et al.
 2017/0144811 A1 5/2017 Wohlgenannt
 2017/0158398 A1 6/2017 Shively
 2017/0158412 A1 6/2017 Seiders et al.
 2017/0354289 A1 12/2017 Marina et al.
 2018/0029762 A1 2/2018 Eyal
 2018/0050845 A1 2/2018 Chin et al.
 2018/0105346 A1 4/2018 Tolman et al.
 2018/0118427 A1 5/2018 Lee et al.
 2018/0134457 A1 5/2018 Mutterle et al.
 2018/0141722 A1 5/2018 Langelaan
 2018/0162608 A1 6/2018 Kim
 2018/0162610 A1 6/2018 Kim
 2018/0194518 A1 7/2018 Li et al.
 2019/0002164 A1 1/2019 Nakatani et al.
 2019/0039782 A1 2/2019 Campbell
 2019/0047754 A1 2/2019 Dubiel
 2019/0047773 A1 2/2019 Bullock et al.
 2019/0062010 A1 2/2019 Apte et al.
 2019/0069699 A1 3/2019 Nichols et al.

FOREIGN PATENT DOCUMENTS

CA 148293 2/2014
 CA 302922611 8/2014
 CA 153535 9/2014
 CA 3030583 A1 11/2018
 CA 3012127 A1 2/2019
 CN 3274807 1/2003
 CN 3491941 12/2005
 CN 201349991 Y 11/2009
 CN 301110494 1/2010
 CN 301194396 5/2010
 CN 301416110 12/2010
 CN 201694495 U 1/2011
 CN 202030152 U 11/2011
 CN 202060630 U 12/2011
 CN 202086330 U 12/2011
 CN 202287503 U 7/2012
 CN 302296535 1/2013
 CN 302305653 1/2013
 CN 302305654 1/2013
 CN 302325748 2/2013
 CN 103112651 A 5/2013
 CN 202981686 U 6/2013
 CN 203127394 U 8/2013
 CN 302548483 8/2013
 CN 203207847 U 9/2013
 CN 302658849 11/2013
 CN 103619723 A 3/2014
 CN 302813847 5/2014
 CN 303029270 12/2014
 CN 303112936 2/2015
 CN 102730301 B 3/2015
 CN 104417881 3/2015
 CN 303294916 7/2015
 CN 103086061 B 8/2015
 CN 103538798 A 9/2015
 CN 303407634 10/2015

CN 303475032 12/2015
 CN 303488104 12/2015
 CN 303528321 12/2015
 CN 303558773 1/2016
 CN 303570496 1/2016
 CN 303616119 3/2016
 CN 303633621 4/2016
 CN 303652379 4/2016
 CN 303675610 5/2016
 CN 105705425 A 6/2016
 CN 303766203 8/2016
 CN 303801918 8/2016
 CN 303812980 8/2016
 CN 303894653 10/2016
 CN 303899030 10/2016
 CN 303902404 11/2016
 CN 303905254 11/2016
 CN 303905266 11/2016
 CN 303944047 11/2016
 CN 303956194 12/2016
 CN 303965272 12/2016
 CN 303965286 12/2016
 CN 303965392 12/2016
 CN 303965400 12/2016
 CN 303966239 12/2016
 CN 303974938 12/2016
 CN 303984407 12/2016
 CN 303984493 12/2016
 CN 304011213 1/2017
 CN 304011214 1/2017
 CN 205998332 U 3/2017
 CN 108313494 A 7/2018
 CN 107224167 B 8/2018
 CN 108394633 A 8/2018
 CN 106458394 B 10/2018
 CN 105050907 B 12/2018
 CN 105358441 B 12/2018
 CN 108945789 A 12/2018
 CN 106163937 B 1/2019
 CN 105595863 B 2/2019
 CN 106255648 B 2/2019
 CN 106414269 B 2/2019
 CN 106458396 B 2/2019
 CN 109319295 A 2/2019
 CN 208470495 U 2/2019
 CN 208485029 U 2/2019
 CN 208531194 U 2/2019
 DE 2233565 A1 6/1973
 DE 2226556 B2 8/1977
 DE 3514261 A1 1/1986
 DE 29611746 U1 11/1997
 DE 69509827 T2 10/1999
 DE 29912668 U1 12/1999
 DE 102014011506 B3 7/2015
 DE 4020161176-0008 11/2016
 DE 402016101176-0010 11/2016
 DK 402016101176-0008 11/2016
 DK 402016202276-0010 11/2016
 EM 001708546-0002 6/2010
 EM 002244137-0001 6/2013
 EM 002970723-0001 2/2016
 EM 003528504-0004 12/2016
 EM 004539732-0003 12/2017
 EP 1693310 A1 8/2006
 EP 1934106 A1 6/2011
 EP 2457842 B1 5/2015
 EP 3066018 A4 11/2016
 EP 2851311 B1 6/2018
 EP 3157833 A 8/2018
 EP 2796078 B1 10/2018
 EP 3398484 A1 11/2018
 EP 3398871 A1 11/2018
 EP 3441320 A1 2/2019
 FR 1359912 A 4/1964
 FR 2521957 B1 10/1986
 FR 2786465 6/2000
 FR 2830848 A1 4/2003
 GB 729903 A 5/1955
 GB 2114959 B 7/1985

(56)

References Cited

FOREIGN PATENT DOCUMENTS

JP	H02-052759	U	4/1990
JP	H03159974	U	7/1991
JP	H08-0117119	A	5/1996
JP	2000333847	A	12/2000
JP	2001315831	A	11/2001
JP	2003125912	A	5/2003
JP	2008162679	A	7/2008
JP	1363566		6/2009
JP	D1383192		3/2010
JP	D1383193		3/2010
JP	2010280402	A	12/2010
JP	2011093544	A	5/2011
JP	D1475935		8/2013
JP	D1486829		12/2013
JP	D1486830		12/2013
JP	D1509640		10/2014
JP	1530358	S	8/2015
JP	D1551146		6/2016
JP	2016141412	A	8/2016
JP	6408837	B2	10/2018
JP	6409250	B1	10/2018
JP	2019001538	A	1/2019
JP	6467720	B2	2/2019
JP	2019503943	A	2/2019
KR	200169857	Y1	2/2000
KR	300295354		4/2002
KR	300303813.0000		8/2002
KR	20100008131	A	1/2010
KR	300764889.0000		10/2014
KR	3020150002495		12/2015
KR	101581270	B1	1/2016
KR	101668309	B1	10/2016
KR	300878085.0000		10/2016
KR	300883384.0000		11/2016
KR	300884377.0000		12/2016
KR	300885455.0000		12/2016
KR	300885851.0000		12/2016
KR	300888536.0000		1/2017
KR	101785906	B1	10/2017
KR	20-2019-0000204	U	1/2019
KR	101922235	B1	2/2019
RU	00100680		11/2016
TD	134321		2/2011
WO	2005028317	A2	3/2005
WO	2006023238	A2	3/2006
WO	2007123365	A1	11/2007
WO	2008048039	A1	4/2008
WO	2014041325	A3	9/2014
WO	2014184341	A1	11/2014
WO	D088688-002		1/2016
WO	2016180908	A1	11/2016
WO	2017097485	A1	6/2017
WO	2017115193	A1	7/2017
WO	2018149763	A1	8/2018
WO	2017223093	A3	2/2019
WO	2019025589	A1	2/2019

OTHER PUBLICATIONS

“3Sixty Pour Vacuum Insulated Stainless Steel Thermal Bottle”; Coleman; retrieved Dec. 23, 2019; disclosure date unknown but prior to the filed of the present application; URL: <https://www.coleman.com/3sixty-pour-vacuum-insulated-stainless-steel-thermal-bottle/3Sixty.html?dwvar_3Sixty_color=black&cgid=coleman-coolersandwaterjugs-drinkware#start=1>.
 Avex, “40oz. 3Sixty Pour Stainless Steel Thermal Bottle”, Accessed May 18, 2017. <http://www.avexoutdoor.com/3sixty-pour-realtree-thermal-bottle.html>.
 Jan. 29, 2018—(WO) Invitation to Pay Additional Fees and Partial International Search Report—App. No. PCT/US2017/057010—13 pages.
 Liquid Hardware, Insulated Aqua Silver Sidewinder Vacuum Bottle 20oz./592ml. Powder Coated in USA!, product description, retrieved from internet on Aug. 12, 2015, 3 pages.

Nov. 2, 2016—(WO) International Search Report and Written Opinion—App. No. PCT/US2016/047043.
 Oct. 18, 2016—(JP) Office Action—App. 2016-010799, English Translation, 3 Pages.
 Oct. 18, 2016—(JP) Office Action—App. 2016-010800, English Translation, 3 Pages.
 Yeti 36 oz. Rambler: Announced Jan. 11, 2016 [online], site visited [May 10, 2016]. Available from Internet URL: <http://yeticoolers.com/rambler-bottle-36-oz/>.
 Kold Vacuum Insulated Stainless Steel Sports Bottle: Announced Dec. 8, 2015 [online], site visited [May 11, 2016]. Available from Internet URL: <http://www.amazon.com/KOLD-Sports-Water-Bottles-Insulated/dp/B018YH K79E1 ref=cm>.
 “Hydro Flask Insulated Stainless Steel Water Bottle” published on Dec. 29, 2014, retrieved from http://web.archive.org/web/*/https://www.amazon.com/dp/B004X55L91/ref=twister_B00GA03LG4?_encoding=UTF8&psc=1 on Sep. 22, 2016.
 “UA Beyond 18 oz. Vacuum Insulated Water Bottle” published on Mar. 29, 2015, retrieved from <http://web.archive.org/mebrihttps://www.underarmour.com/en-us/beyond-18-oz-vacuum-insulated-ss-bottle-with-flip-top-lid/pid1232014> on Sep. 22, 2016.
 “Klean Kanteen Insulated Classic with Polypropylene” published on Jul. 7, 2015, retrieved from <http://web.archive.org/www.lifewithoutplastic.com/store/klean-kanteen-insulated-classic-with-polypropylene-loop-cap-0-95-1-32-oz.html> on Sep. 22, 2016.
 “Eco Vessel 64 ounce Growler” published on Jan. 28, 2015, retrieved from <http://web.archive.org/webr/http://www.snewsnet.com/press-release/eco-vessel-launches-the-boss-insulated-growler/> on 09/22/2016.
 “64 oz Double-Wall Vacuum-Insulated Growler” published on Nov. 14, 2014, retrieved from <https://web.archive.org/web/http://www.tiftyfiftybottles.com/64oz-growler/> on Sep. 22, 2016.
 “2015 BOULDER Insulated Water Bottle with Tea, Fruit, Ice Strainer” published on Jun. 28, 2015, retrieved from <http://web.archive.org/web/http://www.ecovessel.com/boulder-insulated-water-bottle-with-tea-fruit-ice-strainer-20-oz/> on Sep. 22.
 “KB8 20 oz. Double Wall Stainless Bottle,” published on May 22, 2015, retrieved from <https://web.archive.org/web/20150807054814/http://thermo-steel.com/work/keen-kb8> on Sep. 27, 2016.
 Nov. 1, 2016—(JP) Office Action—App. 2016-9606, English Translation, 2 Pages.
 Oct. 4, 2016—(JP) Office Action—App. 2016-9607, English Translation, 2 pages.
 Oct. 4, 2016 - (JP) Office Action—App. 2016-9608, English Translation, 2 Pages.
 “First Look: Yeti Rambler One Gallon ‘Jug’ Review”. Found online Jun. 12, 2017 at gearjunkie.com. Page dated May 2, 2017. Retrieved from <https://gearjunkie.com/yeti-rambler-one-gallon-jug-review>.
 “Lifefactory Water Bottle with Flip Cap”. Found online Oct. 26, 2016 at amazon.com. Page dated Jan. 21, 2012. Retrieved from https://www.amazon.com/Lifefactory-22-Ounce-BPA-Free-Bottle-Silicone/dp/B01JHJYOI/ref=pd_day0_79_22?_encoding=UTF8&refRID=YW47QZQ73YFSYXXEHXG2.
 “Igloo Sport Beverage Cooler”. Found online Jun. 7, 2017 at amazon.com. Page dated Mar. 9, 2013. Retrieved from https://www.amazon.com/Igloo-Beverage-Cooler-Majestic-2-Gallon/dp/B0088AYPOG/ref=cm_cr_arp_d_product_top?ie=UTF8.
 “Klear Loop Cap Hangle Lids for Klear Bottle and Hydro Flask”. Found online Jun. 7, 2017 at amazon.com. Page dated Jul. 4, 2016. Retrieved from https://www.amazon.com/Klear-Handle-Bottle-Hydro-Flask/dp/B01EXKSRLQ/ref=cm_cr_arp_d_product_top?ie=UTF8.
 Rambler Jug Mount. Online, published date unknown. Retrieved on Jan. 2, 2018 from URL: <https://www.yeti.com/accessories/rambler-jug-mount!YRAMJM.html>.
 Mar. 27, 2018—(WO) International Search Report and Written Opinion—App. No. PCT/US2017/057010—19 pages.
 YETI Rambler Vacuum Insulated Stainless Steel One Gallon Jug with MagCap. Found online Jun. 12, 2017 at amazon.com. Page dated May 30, 2017. Retrieved from <https://www.amazon.com/YETI-Rambler-Vacuum-Insulated-Stainless/dp/B071HTJ4Q8>.
 “Klean Kanteen Stainless Unibody Bamboo Cap”. Found online Jun. 12, 2018 at amazon.com. Page dated Sep. 10, 2012. Retrieved

(56)

References Cited

OTHER PUBLICATIONS

from https://www.amazon.com/Klean-Kanteen-Stainless-Unibody-Bamboo/dp/B0083FOSDI/ref=cm_cr_ar_p_d_product_top?ie=UTF8.

“Takeya ThermoFlask”. Found online Jun. 09, 2018 at amazon.com. Page dated Apr. 15, 2016. Retrieved from https://www.amazon.com/Takeya-ThermoFlask-Pack-Back-Silver/dp/B01D7NIOWW/ref=cm_cr_ar_p_d_product_top?ie=UTF8.

“Twitter: h2go elevate and h2go inspire: same lid stlye, different body typw”. Found online Jun. 12, 2018 at twittercom. Page dated Jan. 21, 2015. Retrieved from <https://twittercom/etsexpress/status/557997114589196288>.

“Thermos Stainless King 60 Ounce Vacuum Insulated Beverage Bottle.” Found online Jul. 13, 2018 at www.amazon.com. Page dated Aug. 15, 2015. Retrieved from U RL: <https://www.amazon.com/frhermos-Stainless-Insulated-Beverage-Midnight/dp/B008YB4V52> (Year: 2015).

“Stanley Classic Vacuum Bottle.” Found online Jul. 13, 2018 at www.amazon.com. Page dated Nov. 30, 2014. Retrieved from URL: <https://tinyurl.com/y8nnytm9> (Year: 2014).

Feb. 11, 2019—(CN) Office Action—App. No. 201680059619.7.

“YETI Rambler Bottle Cup Cap Accessory.” Found online: Jun. 18, 2019 at www.amazon.com. Product reviewed May 30, 2019. Retrieved from URL: <http://tinyurl.com/y32g688u> (Year 2019).

Jul. 15, 2019—(CN) Office Action—App. No. 201680059619.7.

Youtube. YETI Rambler R12 Bottle with Hotshot Cap Demo, Features & Review by Tentworld—The Camping Experts. Oct. 30, 2019. <https://www.youtube.com/watch?v=cLZsvhUMydM> (Year: 2019).

Amazon website, YETI Rambler Bottle MagDock Cap Accessory, Earliest comment date May 5, 2019, [site visited Jun. 30, 2019], Available on the Internet URL <https://www.amazon.com/YETI-Rambler-Bottle-MagDock-Accessory/dp/B07PS5896H> (Year: 2019).

* cited by examiner

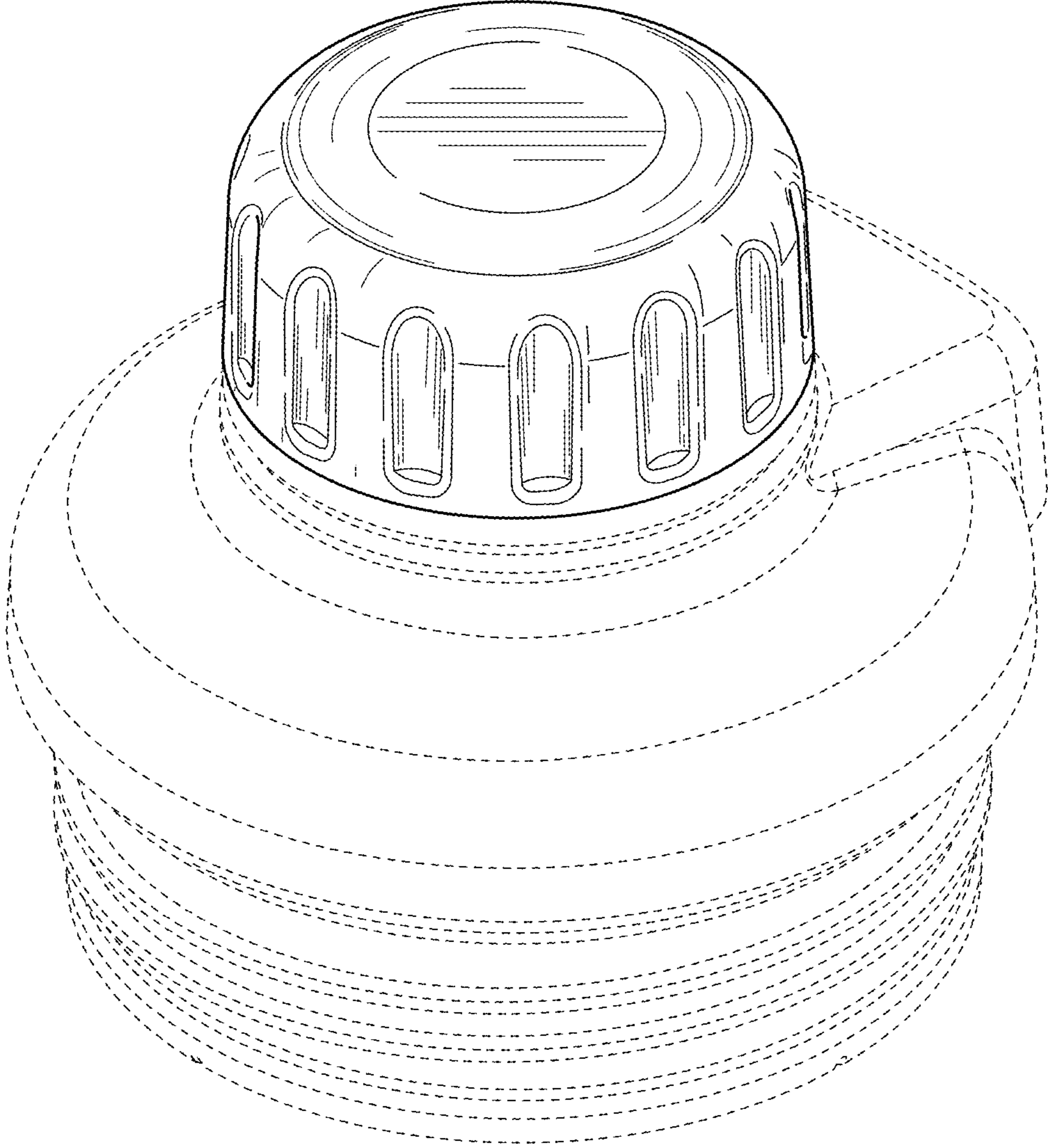


FIG. 1

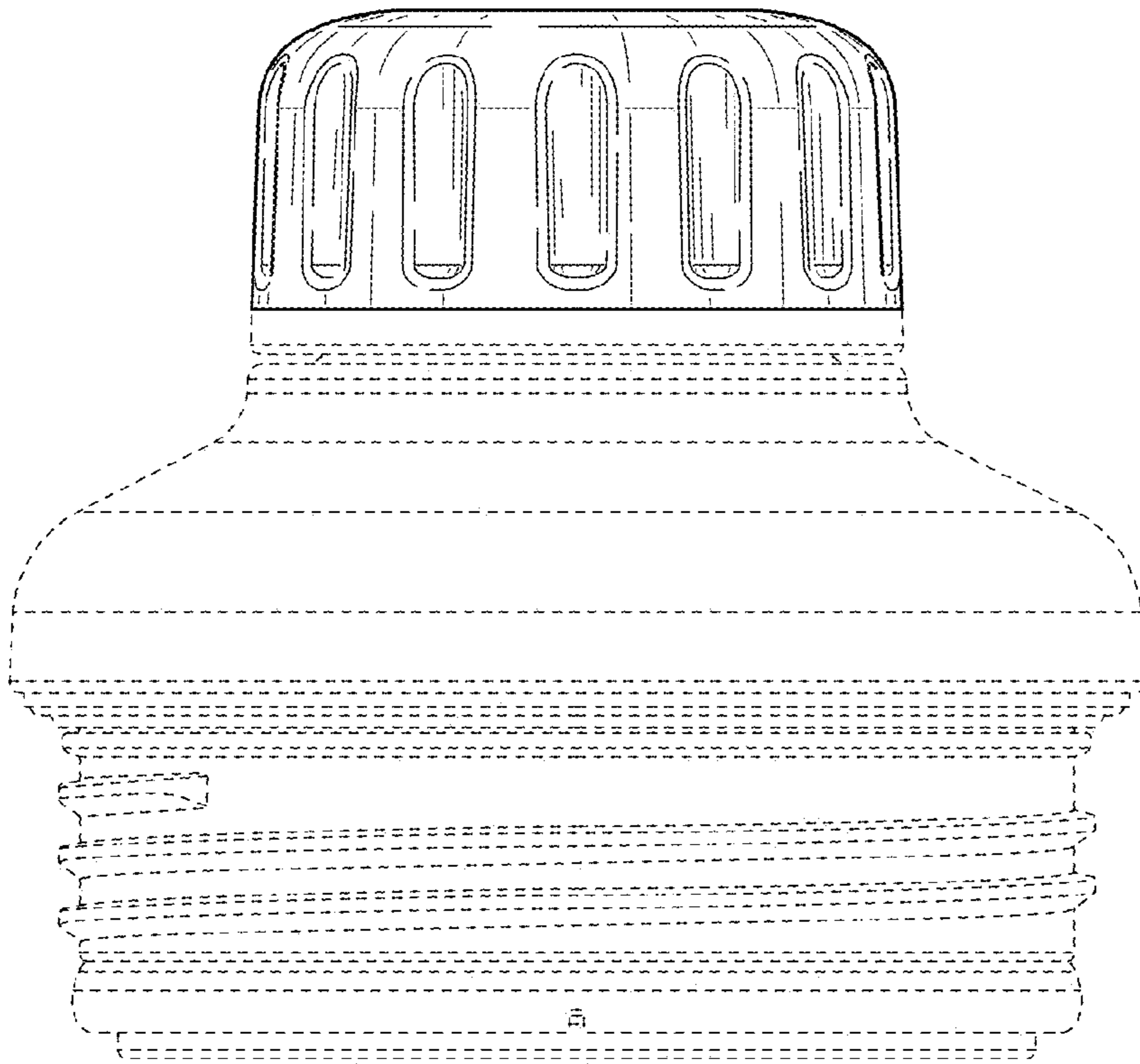


FIG. 2

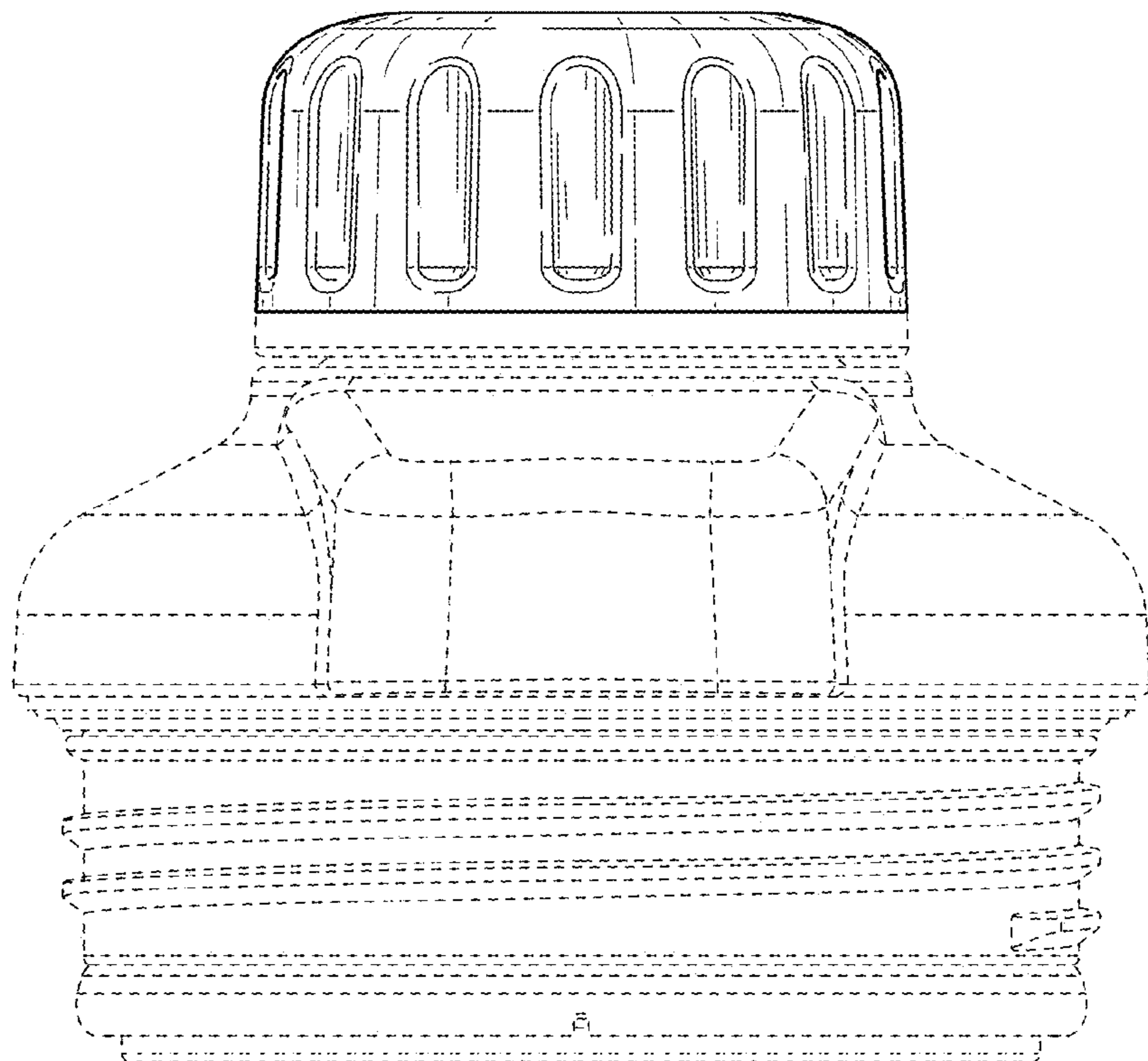


FIG. 3

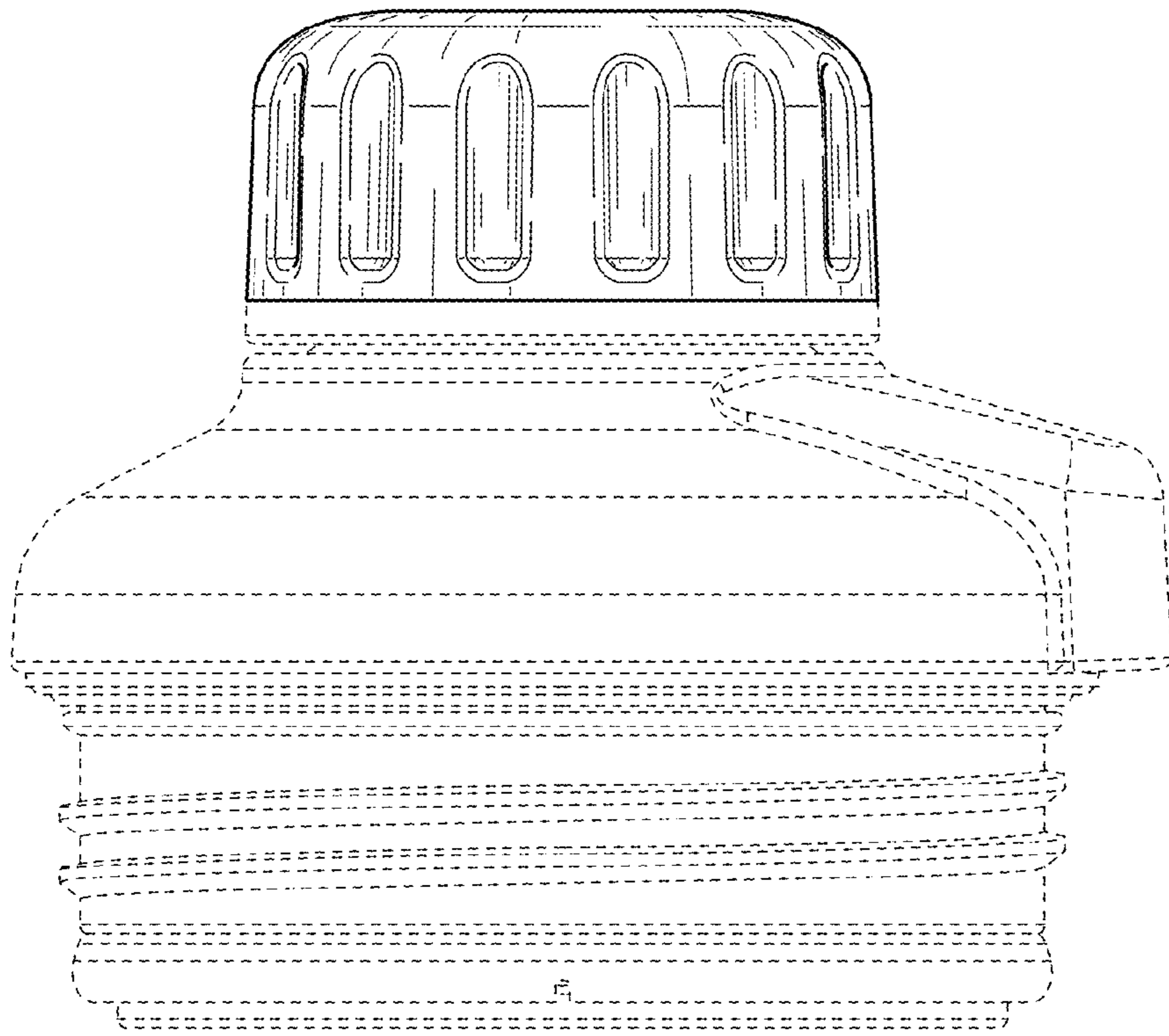


FIG. 4

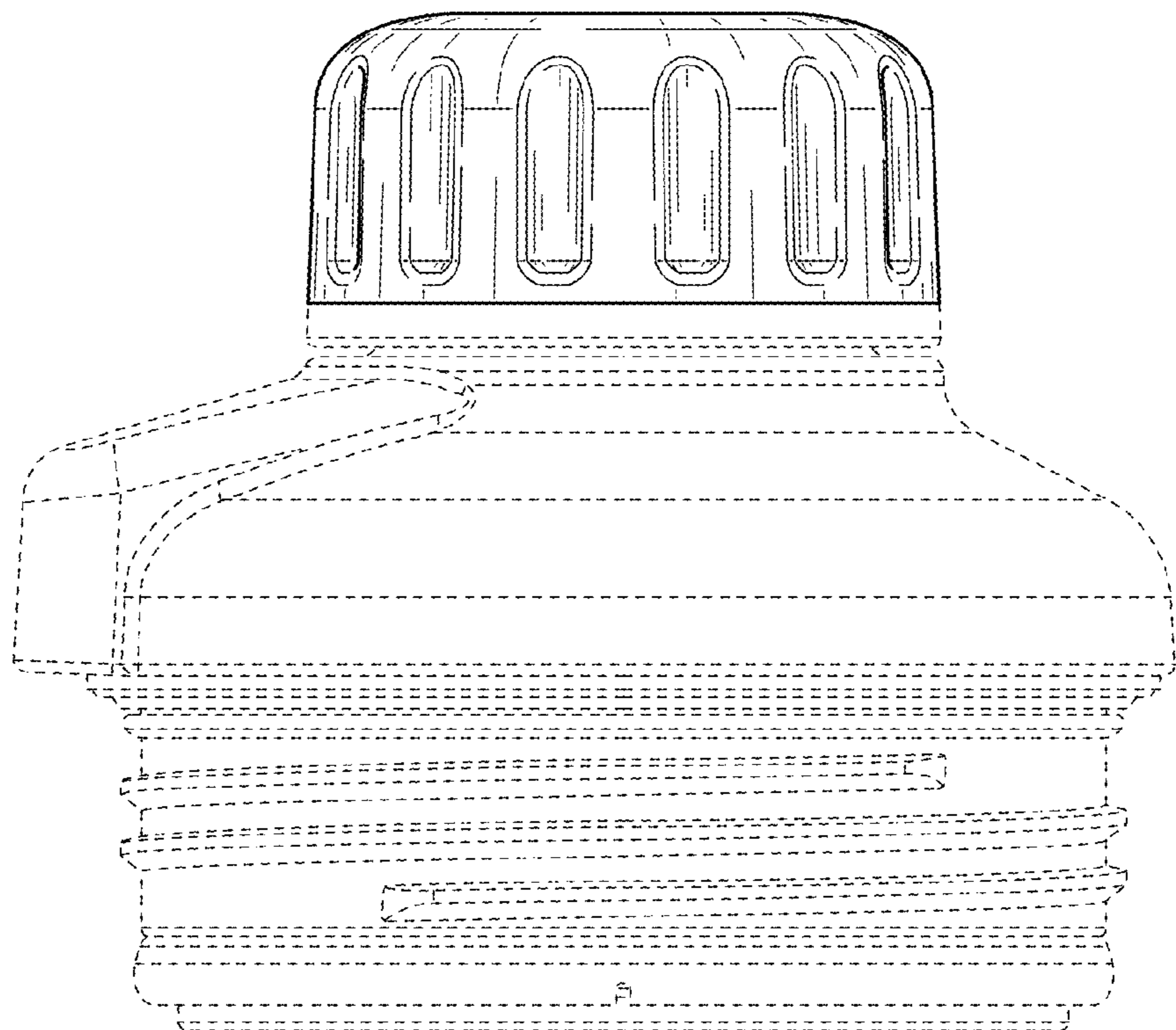


FIG. 5

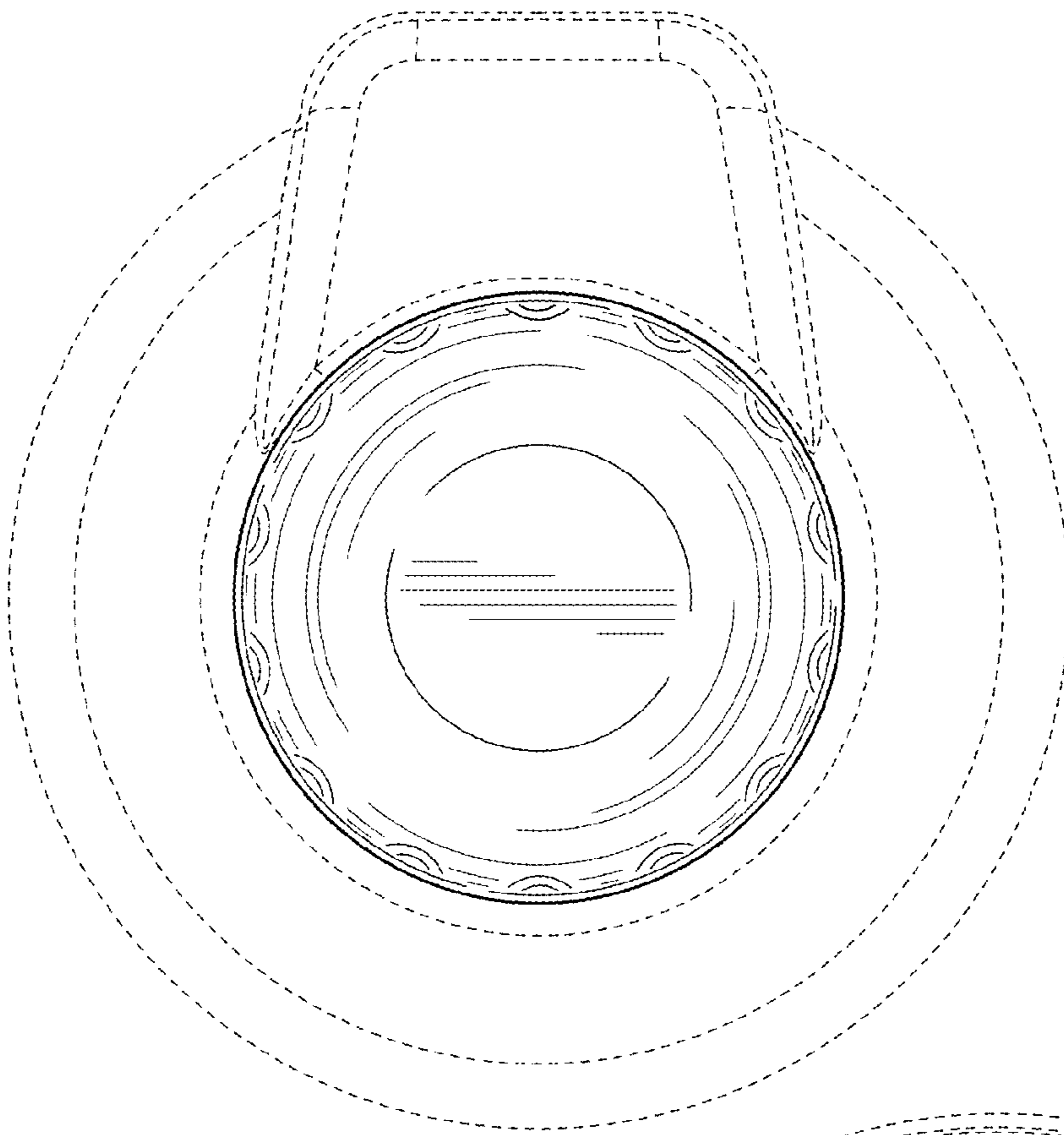


FIG. 6

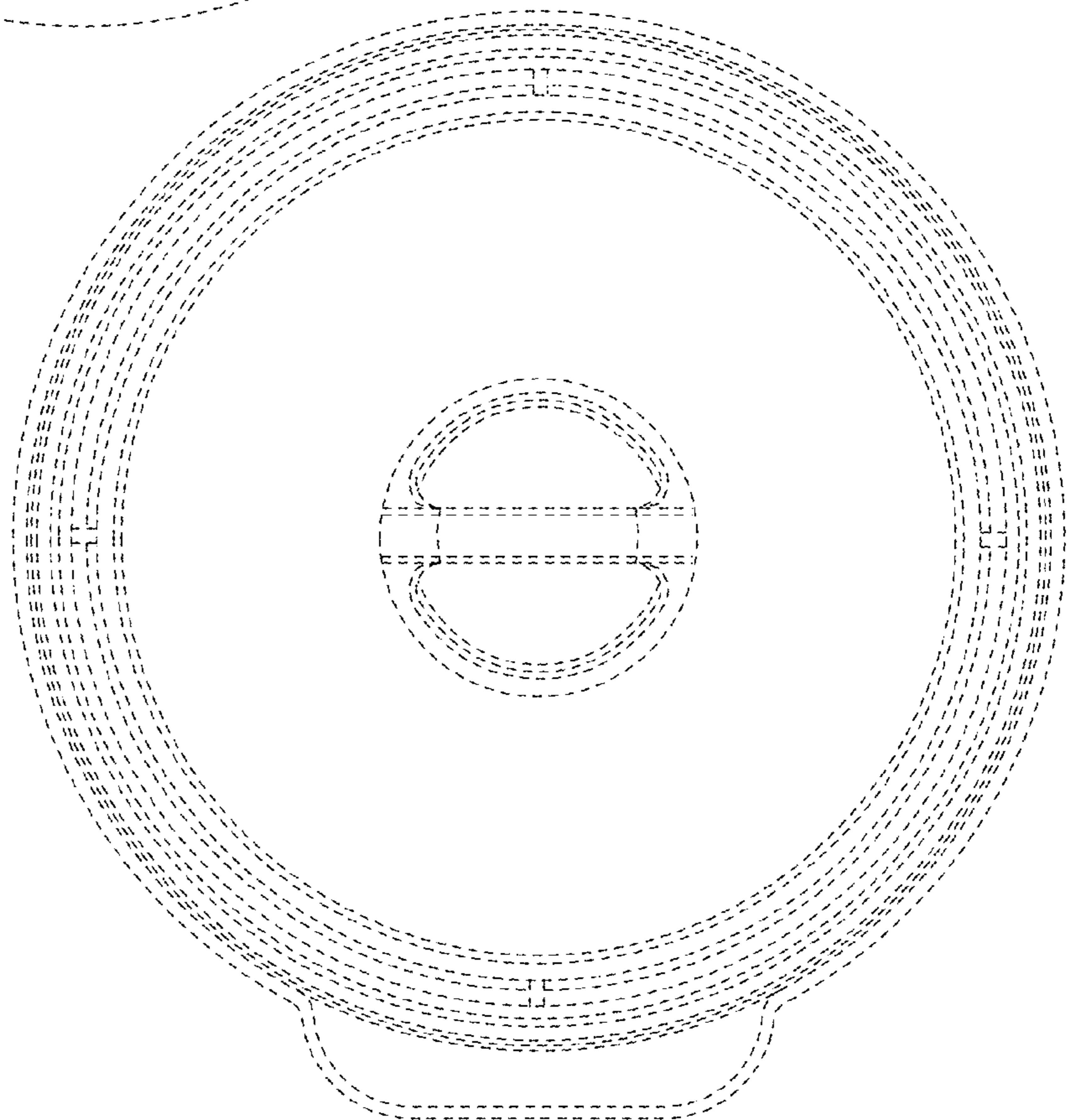


FIG. 7

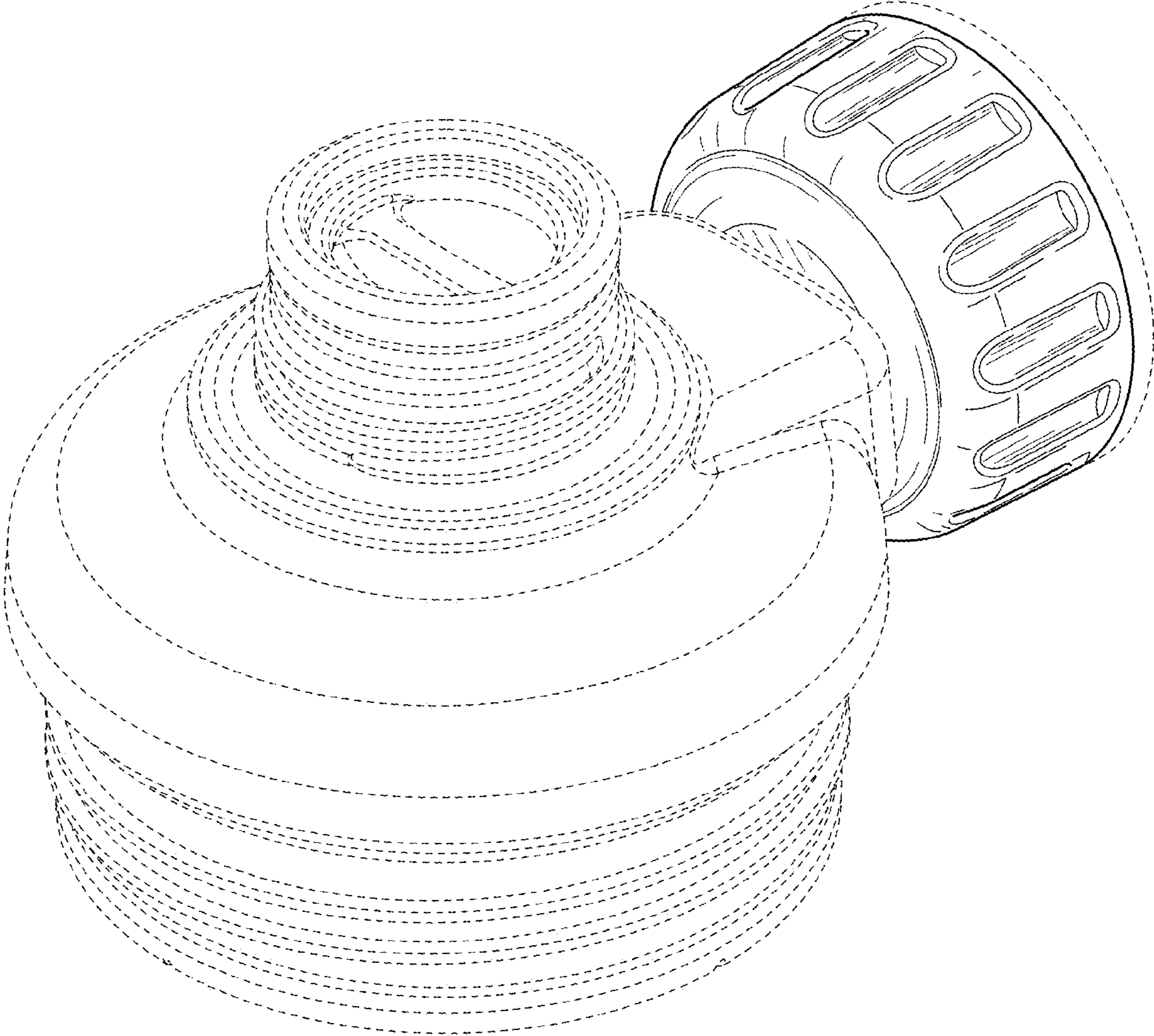


FIG. 8