



US00D913744S

(12) **United States Design Patent**  
**Kil**

(10) **Patent No.:** **US D913,744 S**

(45) **Date of Patent:** **\*\* Mar. 23, 2021**

(54) **LID FOR A CONTAINER**

(71) Applicant: **Dong Yang Chemical Co., Ltd.**,  
Yongin-si (KR)

(72) Inventor: **Sun Ok Kil**, Yongin-si (KR)

(73) Assignee: **DONG YANG CHEMICAL CO., LTD.**, Yongin-Si (KR)

(\*\*) Term: **15 Years**

(21) Appl. No.: **29/651,536**

(22) Filed: **Aug. 20, 2018**

(30) **Foreign Application Priority Data**

Feb. 20, 2018 (KR) ..... 30-2018-0008501

(51) **LOC (13) Cl.** ..... **07-99**

(52) **U.S. Cl.**  
USPC ..... **D7/392.1**

(58) **Field of Classification Search**  
USPC ..... D7/387, 391, 394, 396.2, 509-511, 538,  
D7/900; D3/201, 202; D9/434, 435,  
D9/436, 439, 440, 442, 443, 446-450,  
D9/499, 686  
CPC .. A61J 1/00; A61J 1/1412; B65D 1/00; B65D  
1/02; B65D 1/10; B65D 1/46; B65D  
2585/56; B65D 2585/545; B65D 41/00;  
B65D 41/38; B65D 41/56; B65D 41/62;  
B65D 47/00; B65D 47/06; B65D 47/08;  
B65D 2543/00046; B65D 2543/00092;  
B65D 2543/00296; B65D 5/46; B65D  
2251/00

See application file for complete search history.

(56) **References Cited**

**U.S. PATENT DOCUMENTS**

D483,622 S \* 12/2003 Kim ..... D7/629  
D500,227 S \* 12/2004 Seok ..... D7/392.1  
D514,811 S \* 2/2006 Koo ..... D3/323

D516,376 S \* 3/2006 Kim ..... D7/392.1  
D528,357 S \* 9/2006 Hsu ..... D7/392.1  
D549,519 S \* 8/2007 Moon ..... D7/391

(Continued)

**OTHER PUBLICATIONS**

Global Source website, Products from DongYang Chemical Co., Ltd., Publication date unknown, [site visited Mar. 30, 2020], Available on the Internet URL <https://www.globalsources.com/si/AS/DongYang-Chemical/6008845535585/pdtl/Plastic-Food-Contai/1141692670.htm> (Year: 2020).\*

*Primary Examiner* — Karen S Acker

*Assistant Examiner* — Steven B Reinholdt, Jr.

(57) **CLAIM**

The ornamental design for a lid for a container, as shown and described.

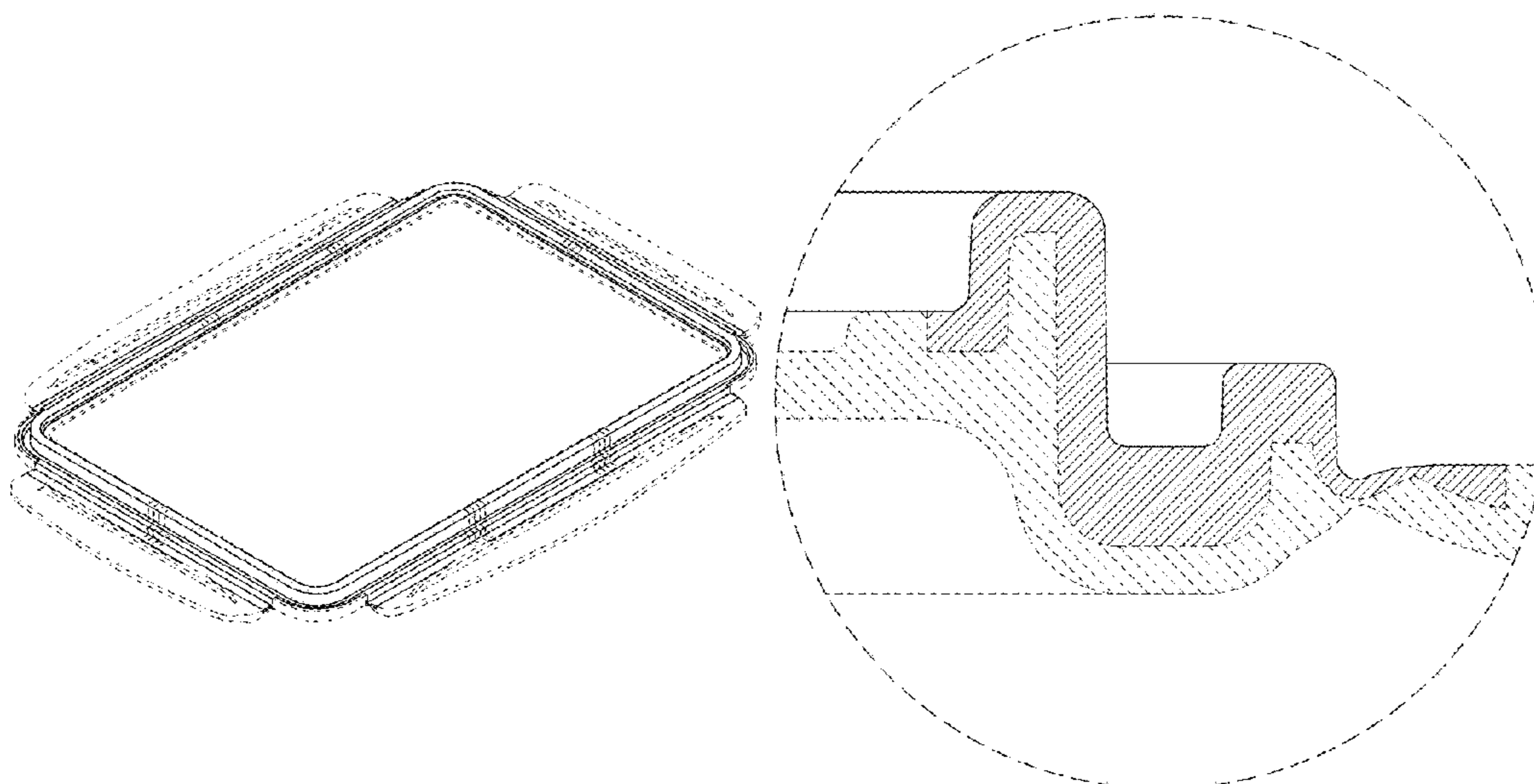
**DESCRIPTION**

FIG. 1 is a perspective view of a lid for a container;  
FIG. 2 is a front view thereof;  
FIG. 3 is a rear view thereof;  
FIG. 4 is a left side view thereof;  
FIG. 5 is a right side view thereof;  
FIG. 6 is a top plan view thereof;  
FIG. 7 is a bottom plan view thereof;  
FIG. 8 is a cross-sectional view taken along line 8-8 in FIG. 6; and,  
FIG. 9 is an enlarged detailed view of the area labeled 9 in FIG. 8.

The broken lines and the areas within them in the drawings depict portions of the lid for a container that form no part of the claimed design.

The horizontal broken line in FIG. 6 denotes that cross-sectional cut and forms no part of the claimed design. The circular broken lines in FIGS. 8 and 9 and the lead line in FIG. 8 denote the boundaries of the enlargement detail view and form no part of the claimed design.

**1 Claim, 9 Drawing Sheets**



(56)

References Cited

U.S. PATENT DOCUMENTS

D562,083	S *	2/2008	Lown	.....	D7/629
D610,878	S *	3/2010	Kim	.....	D7/629
D651,477	S *	1/2012	Nie	.....	D7/629
D660,095	S *	5/2012	Kyung	.....	D7/629
D669,305	S *	10/2012	Smyers	.....	D7/392
D677,116	S *	3/2013	Smyers	.....	D7/391
D698,614	S *	2/2014	Duvigneau	.....	D7/629
D700,011	S *	2/2014	Duvigneau	.....	D7/391
8,733,550	B2 *	5/2014	Harvey	.....	F16J 15/027 206/508
D722,832	S *	2/2015	Ra	.....	D7/602
D800,494	S *	10/2017	Peng	.....	D7/391
D828,084	S *	9/2018	Zhang	.....	D7/392.1
D851,487	S *	6/2019	Duvigneau	.....	D9/435
D853,179	S *	7/2019	Duvigneau	.....	D7/391
D861,416	S *	10/2019	Zhang	.....	D7/392.1
D862,155	S *	10/2019	Dai	.....	D7/391
D874,882	S *	2/2020	Pawluskiewicz	.....	D7/629
D875,465	S *	2/2020	Dai	.....	D7/391
2004/0084464	A1 *	5/2004	Koo	.....	B65D 43/0218 220/784
2005/0006390	A1 *	1/2005	Wang	.....	B65D 45/30 220/326
2009/0218360	A1 *	9/2009	Suk	.....	B65D 43/0212 220/784
2012/0267369	A1 *	10/2012	Duvigneau	.....	B29C 45/0081 220/203.01
2014/0217101	A1 *	8/2014	Wang	.....	B65D 45/30 220/324

\* cited by examiner

FIG. 1

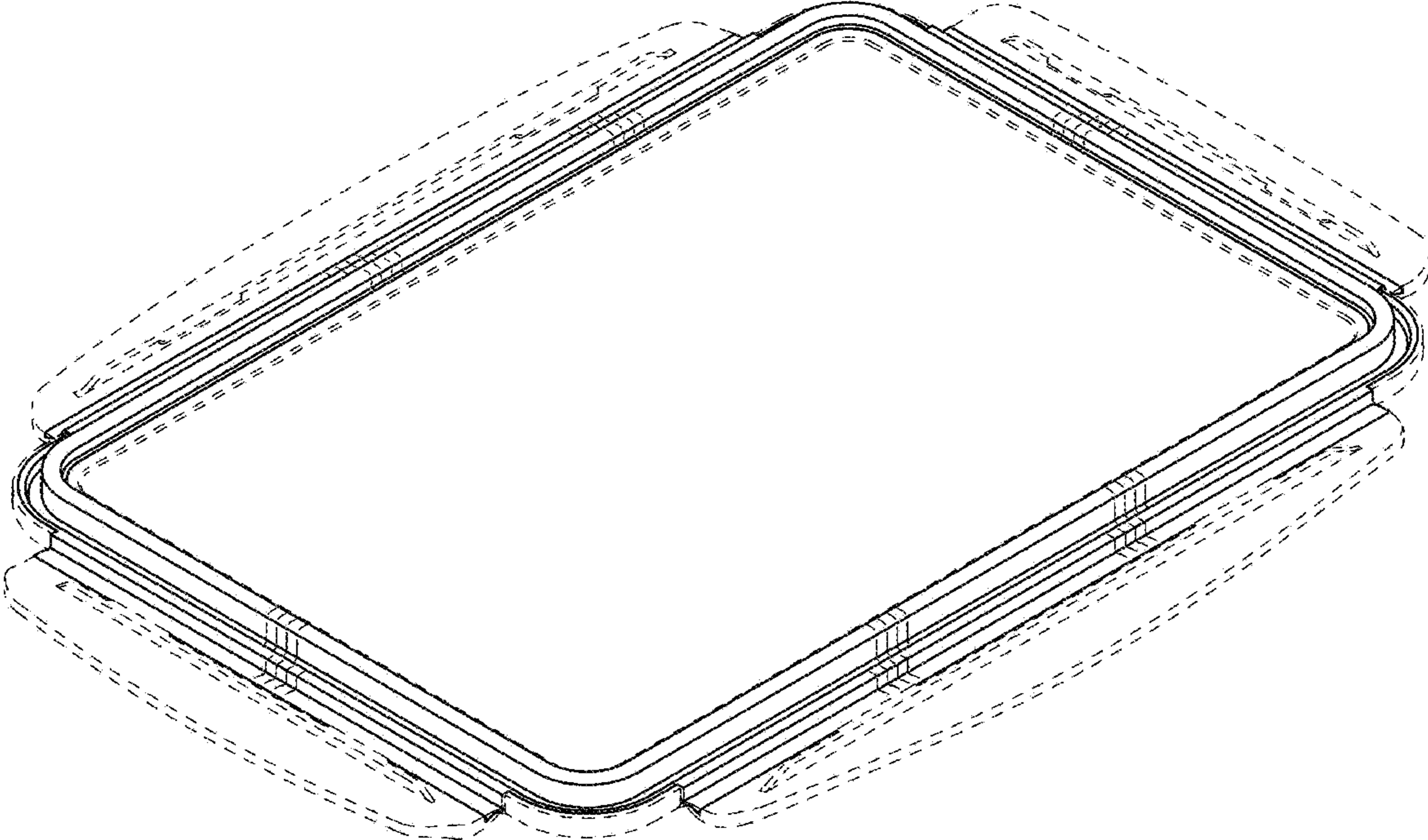


FIG. 2

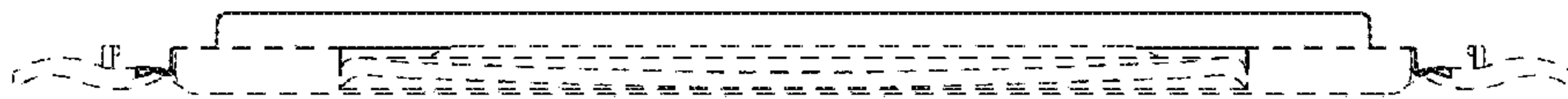


FIG. 3

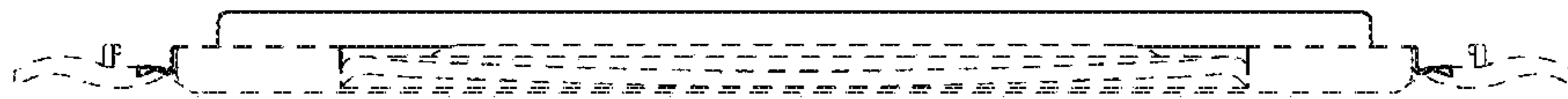


FIG. 4

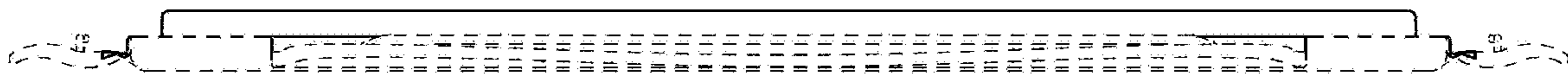




FIG. 5

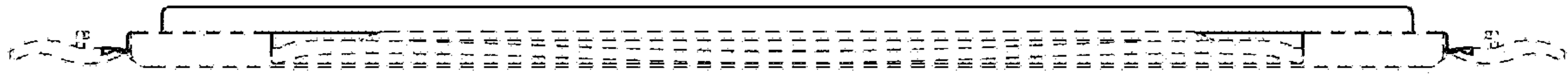


FIG. 6

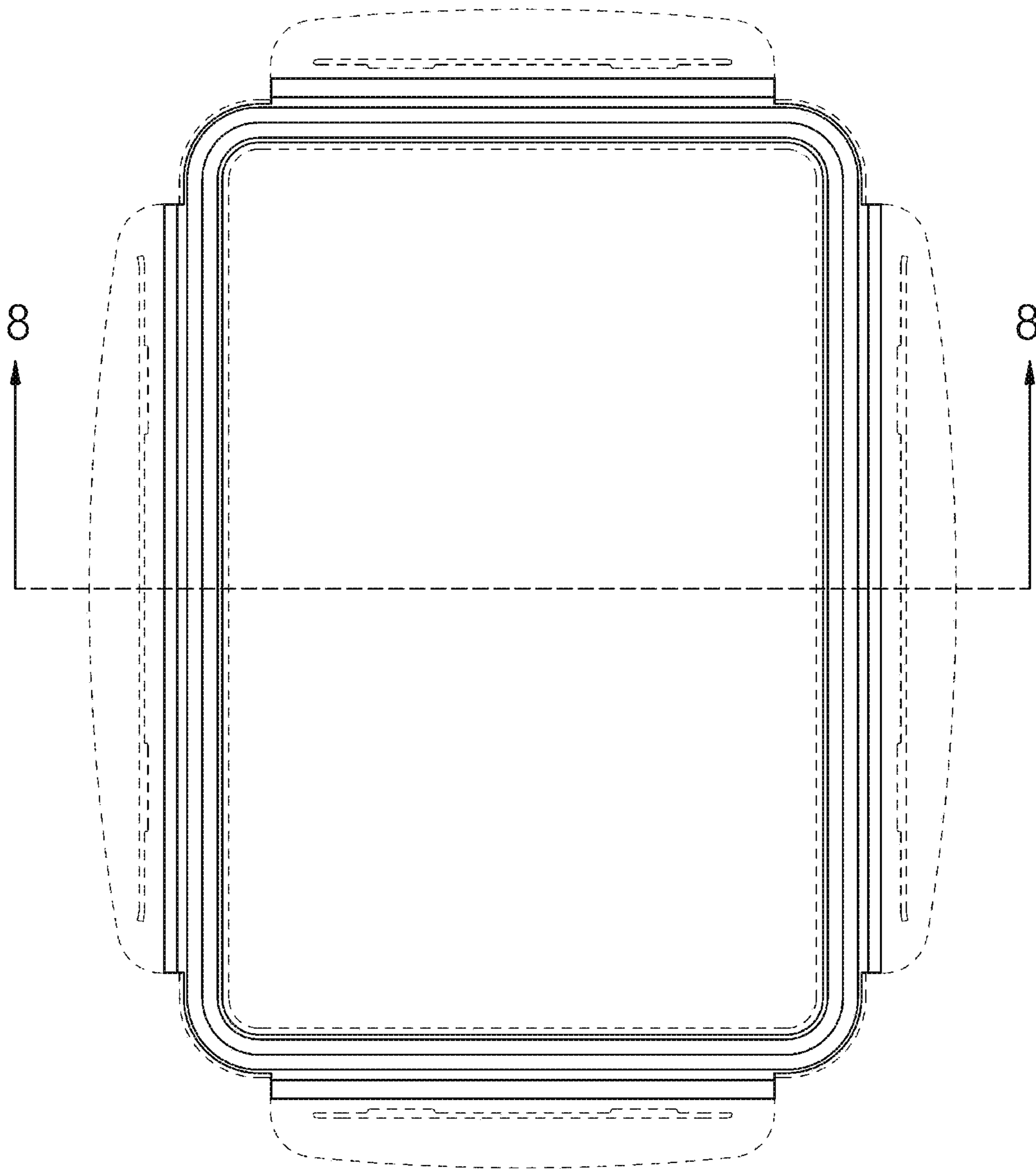




FIG. 7

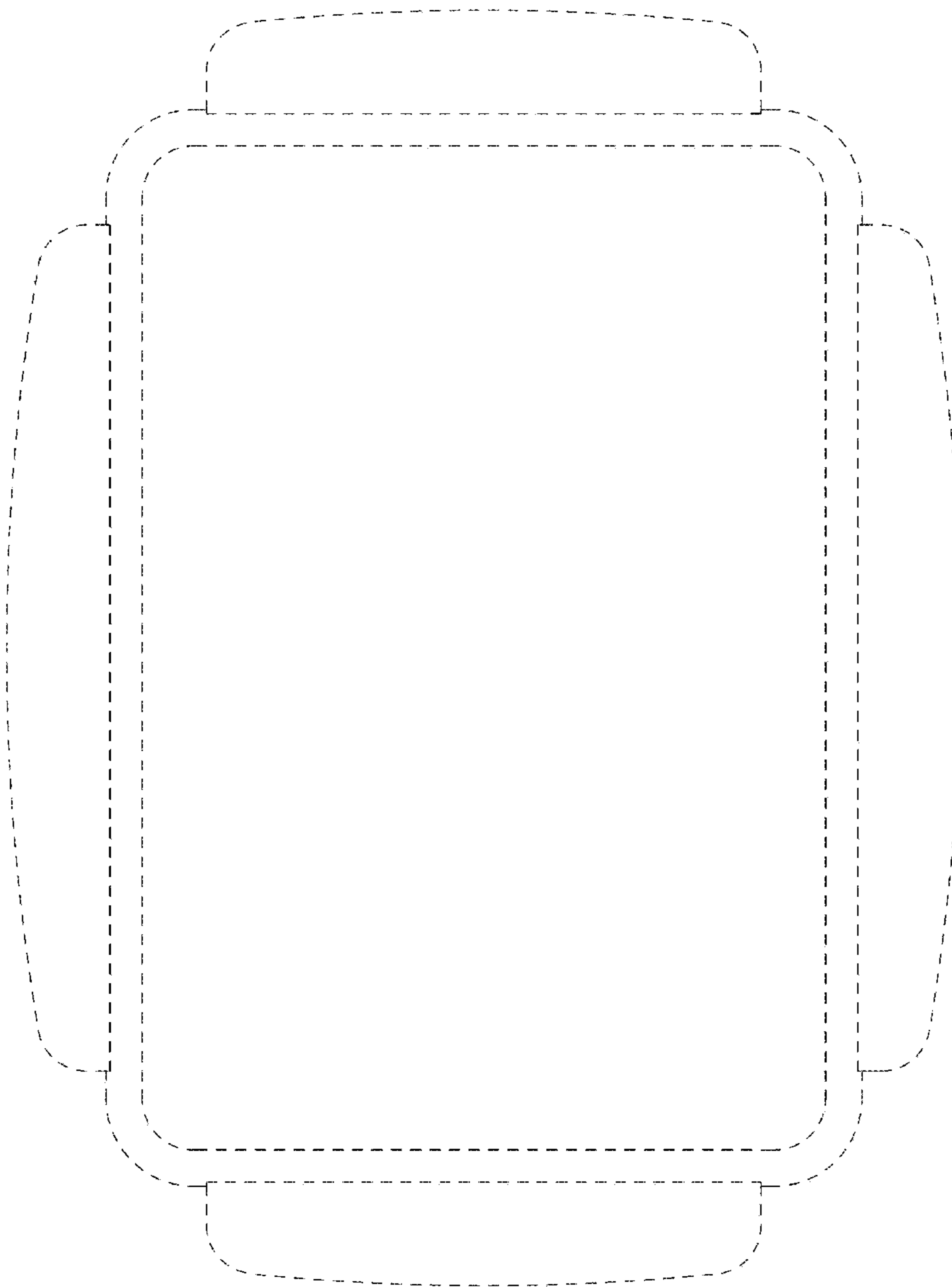


FIG. 8

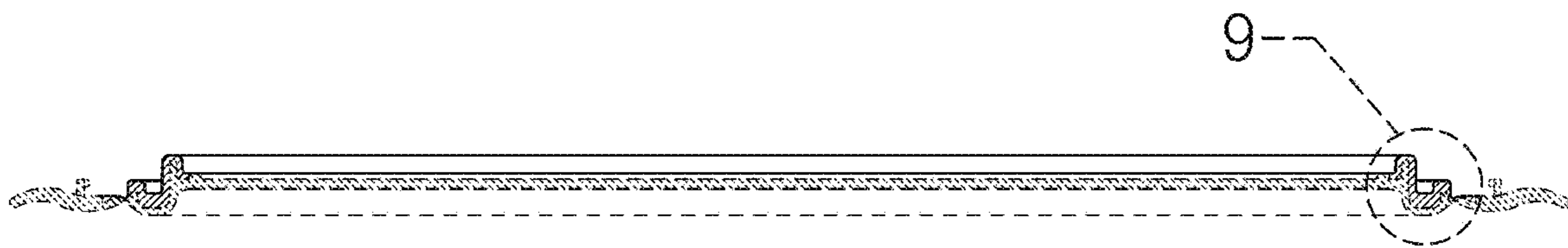


FIG. 9

