



US00D913742S

(12) **United States Design Patent**  
**DeLeo et al.**

(10) **Patent No.:** **US D913,742 S**  
(45) **Date of Patent:** **\*\* Mar. 23, 2021**

- (54) **MIXER**
- (71) Applicant: **Sunbeam Products, Inc.**, Boca Raton, FL (US)
- (72) Inventors: **Anthony DeLeo**, Portage, MI (US);  
**Charlotte Zale**, Portage, MI (US)
- (73) Assignee: **Sunbeam Products, Inc.**, Boca Raton, FL (US)

3,333,824 A \* 8/1967 Jepson ..... A47J 44/00  
366/344  
3,904,178 A \* 9/1975 Scott ..... A47J 43/044  
366/199  
4,568,193 A \* 2/1986 Contri ..... A47J 43/082  
366/197  
D384,549 S \* 10/1997 Cesaroni ..... D7/379  
D395,572 S \* 6/1998 Carroll ..... D7/379  
5,782,558 A \* 7/1998 Roberts ..... A47J 43/044  
366/199  
D465,698 S \* 11/2002 Allan ..... D7/379  
(Continued)

(\*\*) Term: **15 Years**

(21) Appl. No.: **29/720,707**

(22) Filed: **Jan. 15, 2020**

(51) **LOC (13) Cl.** ..... **31-00**

(52) **U.S. Cl.**  
USPC ..... **D7/379**; D7/376

(58) **Field of Classification Search**  
USPC ..... D7/372, 376-386, 397, 412-413, 602,  
D7/629, 665-666, 669, 679, 690,  
D7/693-694

CPC .... A21C 1/02; A21C 1/04; A23N 1/00; A23N  
1/02; A47J 43/04; A47J 43/25; A47J  
43/27; A47J 43/042; A47J 43/044; A47J  
43/046; A47J 43/07; A47J 43/075; A47J  
43/0722; A47J 43/0727; A47J 43/082;  
A47J 44/00; B01F 3/00; B01F 3/0807;  
B01F 3/0853; B01F 13/0059; B01F  
13/0064; B02C 1/08; B02C 2/04; B02C  
4/42; B02C 4/142; B02C 4/143; B02C  
4/423; B02C 13/1835; B28C 5/10; B28C  
5/12; B28C 5/14; B28C 5/16

See application file for complete search history.

(56) **References Cited**

**U.S. PATENT DOCUMENTS**

D182,424 S \* 4/1958 Madl ..... D7/379  
D195,425 S \* 6/1963 Reed ..... D7/379  
3,186,020 A \* 6/1965 Redfield ..... A47J 43/07  
15/230.19

**OTHER PUBLICATIONS**

Brentwood Stand Mixer, 5-Speed + Turbo. Date First Available on Amazon.com Mar. 10, 2013. <https://www.amazon.com/Brentwood-SM-1152-Stand-5-Speed-accessory/dp/B00BRSY92E/> (Year: 2013).\*

*Primary Examiner* — Ricky Pham

(74) *Attorney, Agent, or Firm* — Husch Blackwell LLP

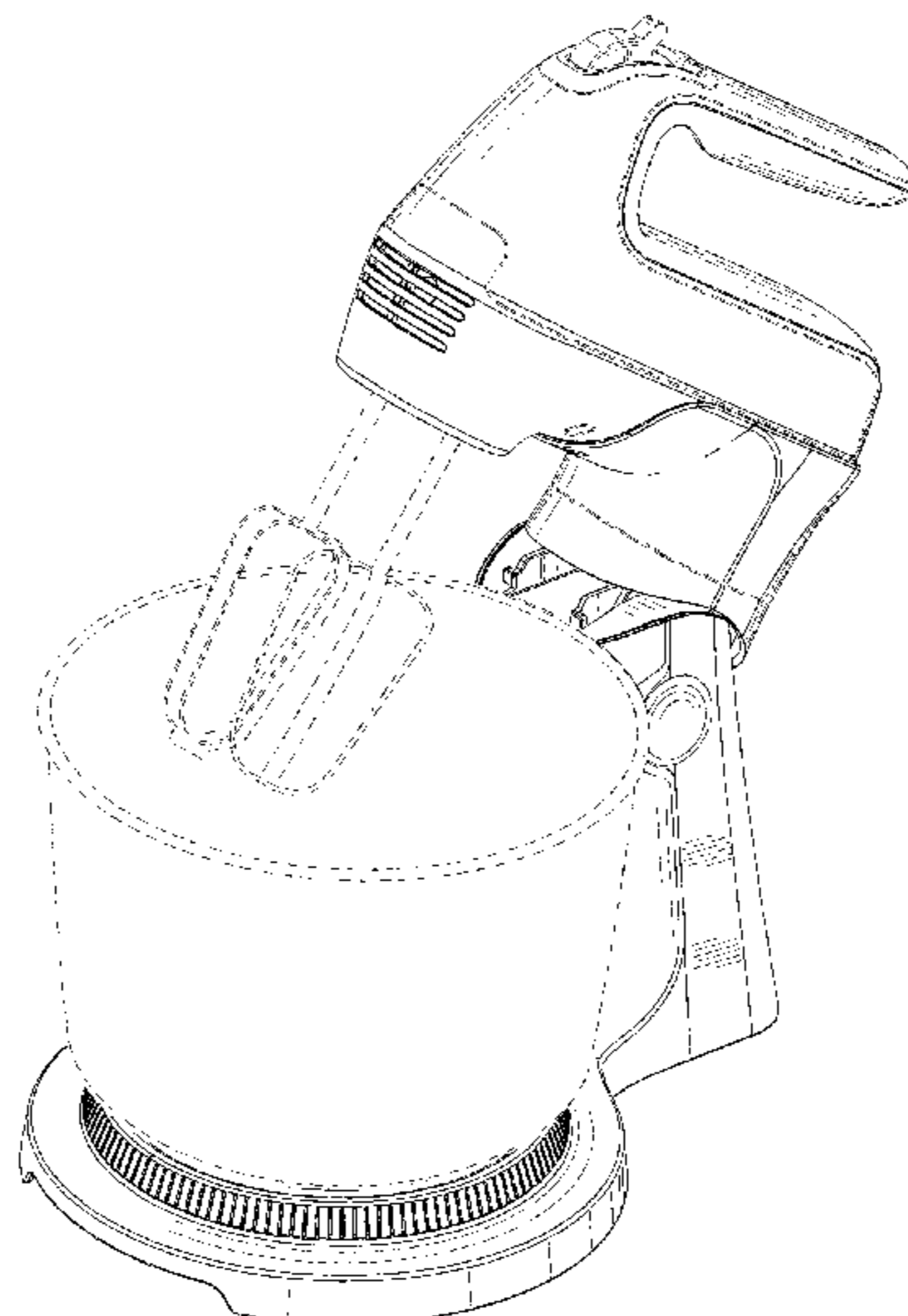
(57) **CLAIM**

We claim the ornamental design for a mixer, as shown and described.

**DESCRIPTION**

FIG. 1 is a perspective view of a mixer;  
FIG. 2 is a left side elevation view of the mixer;  
FIG. 3 is a front elevation view of the mixer;  
FIG. 4 is a rear elevation view of the mixer;  
FIG. 5 is a right side elevation view of the mixer;  
FIG. 6 is a top plan view of the mixer;  
FIG. 7 is a bottom plan view of the mixer;  
FIG. 8 is a perspective view of the mixer with a mixing head of the mixer in a tilted position; and,  
FIG. 9 is a top plan view of the mixer with the mixing head of the mixer in a swiveled position.  
Broken lines shown in the drawing views are included for illustrative purposes only, and form no part of the claimed design.

**1 Claim, 8 Drawing Sheets**



(56)

**References Cited**

U.S. PATENT DOCUMENTS

D533,021 S \* 12/2006 Koszalinski ..... D7/379  
D756,165 S \* 5/2016 Lee ..... D7/379  
D845,697 S \* 4/2019 Gordon ..... D7/379

\* cited by examiner

FIG. 1

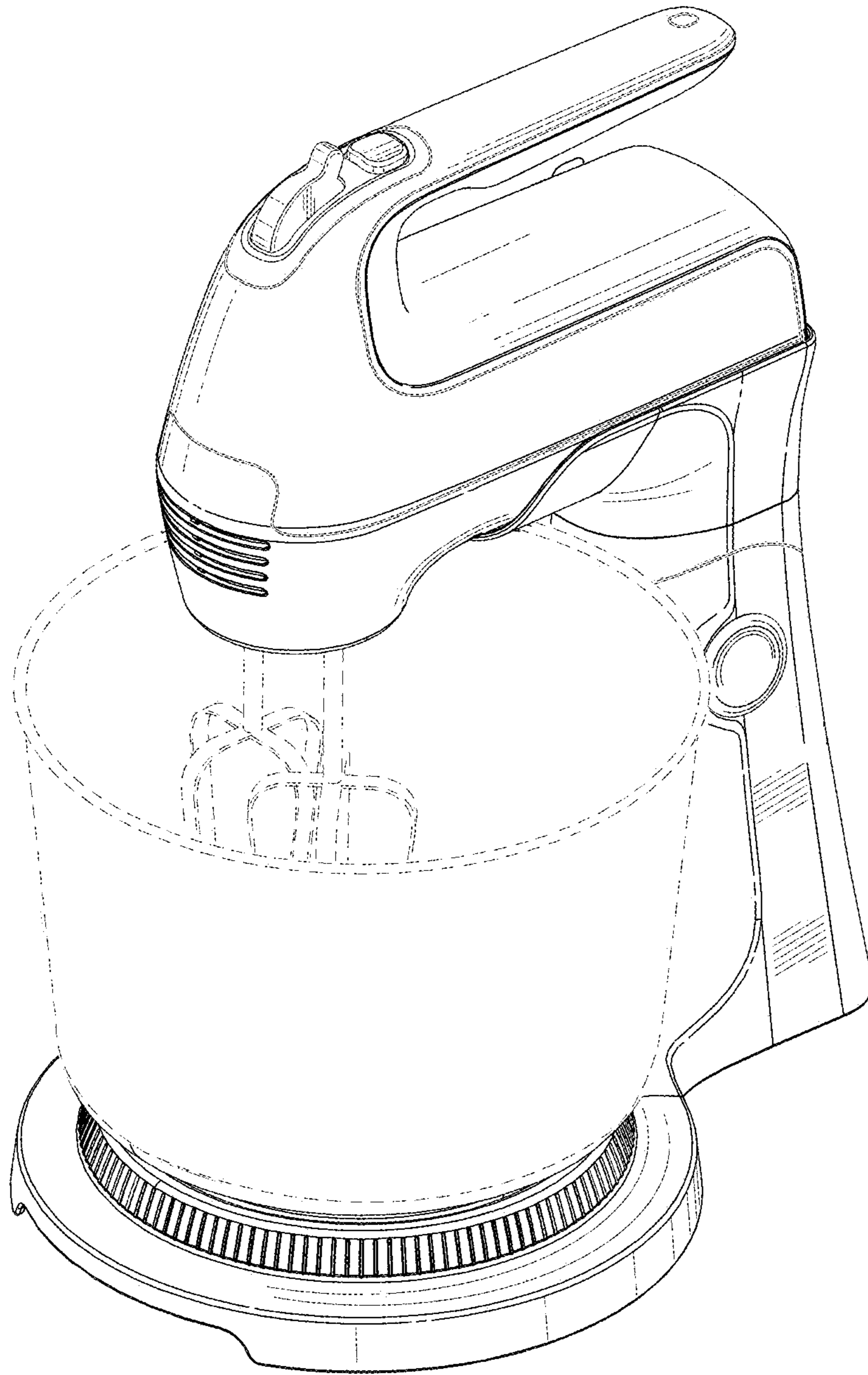


FIG. 2

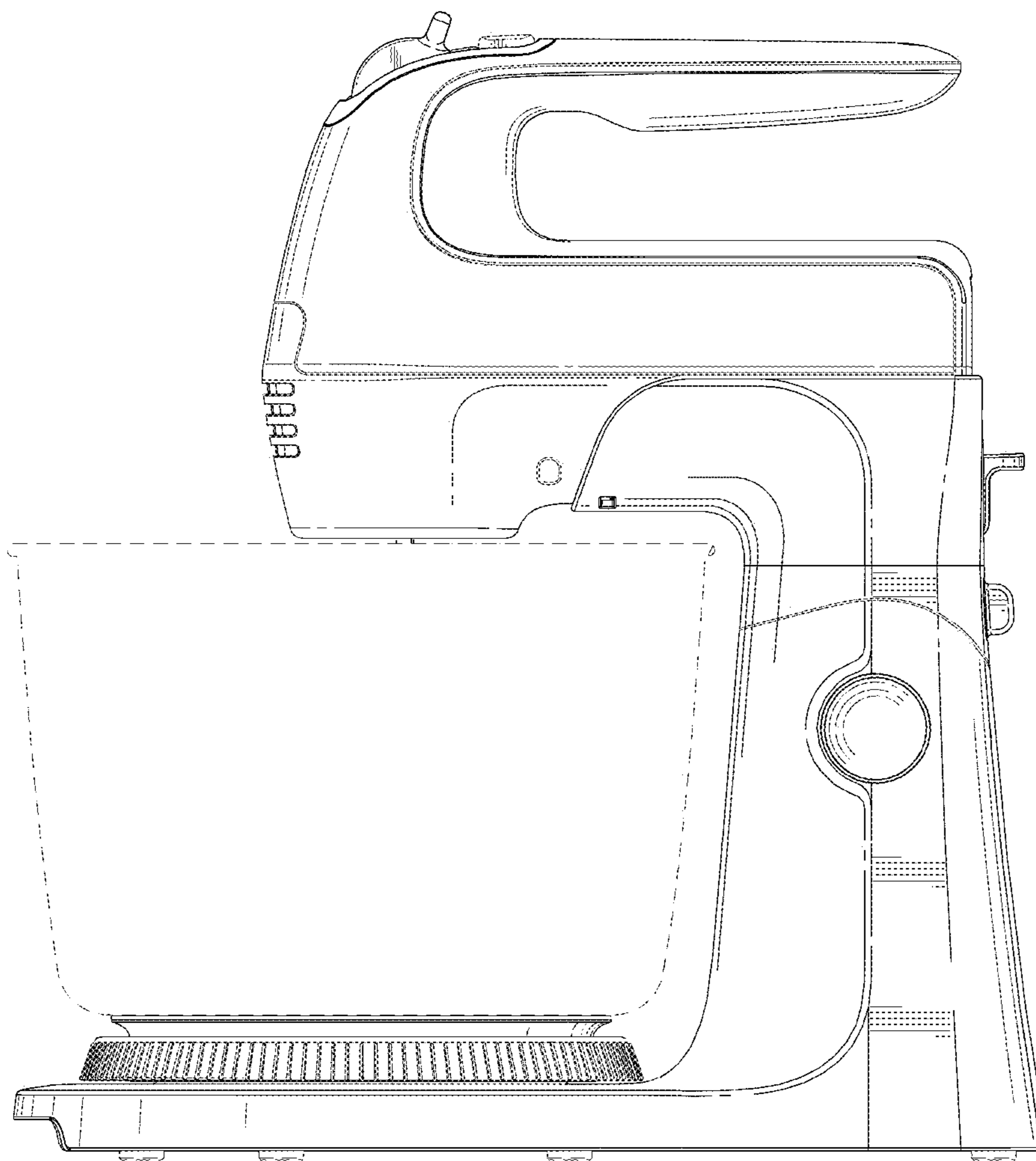


FIG. 3

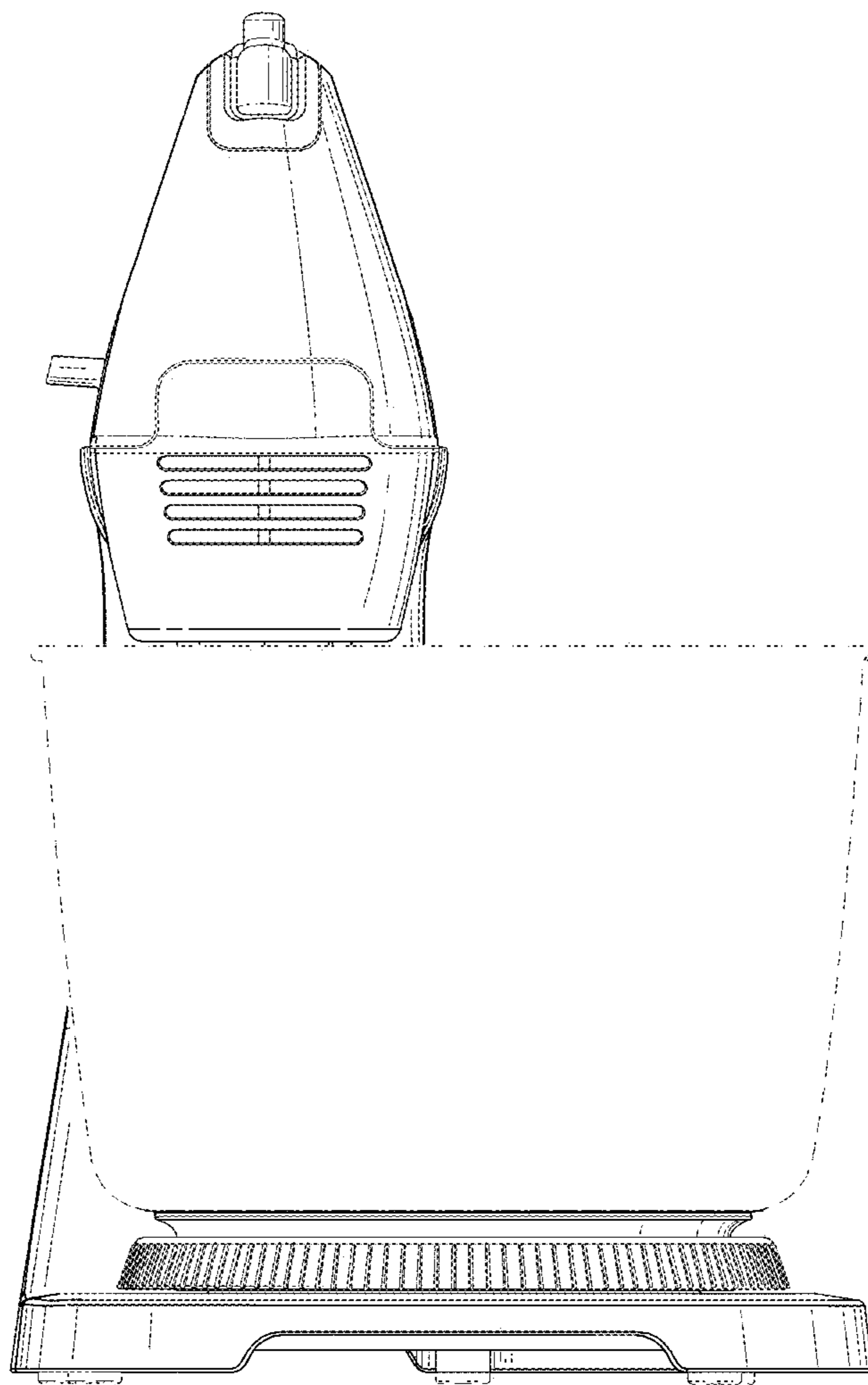




FIG. 4

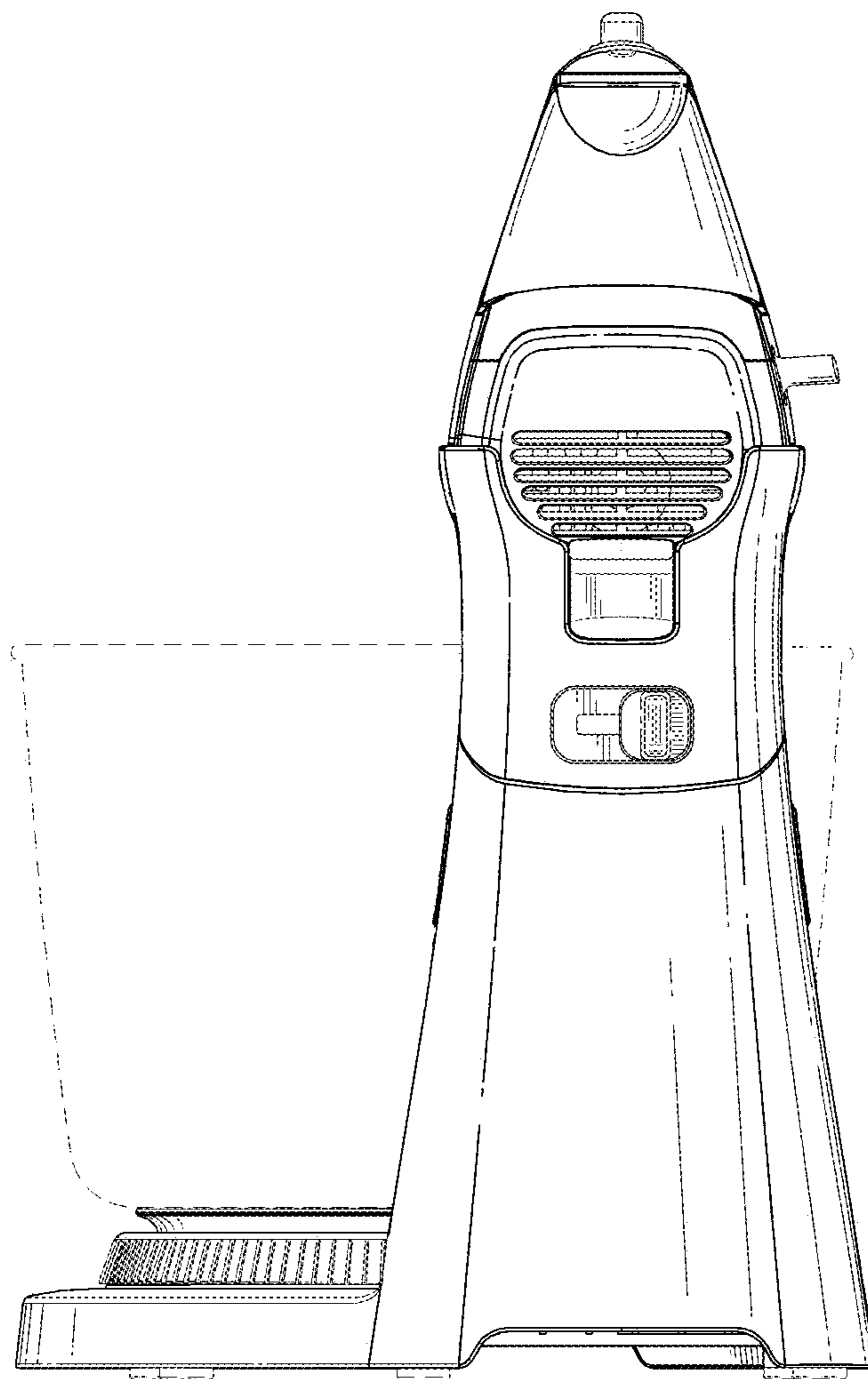
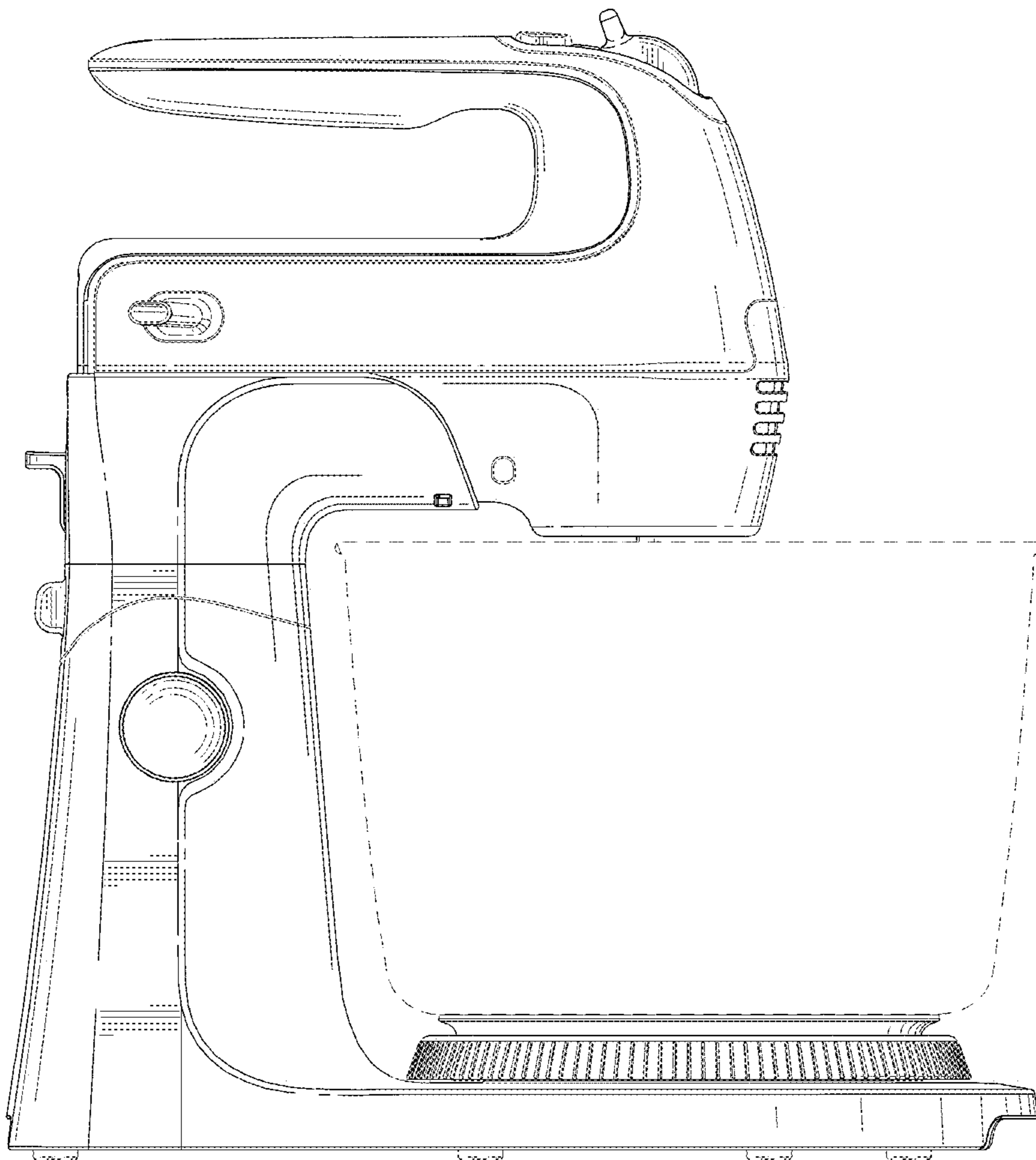
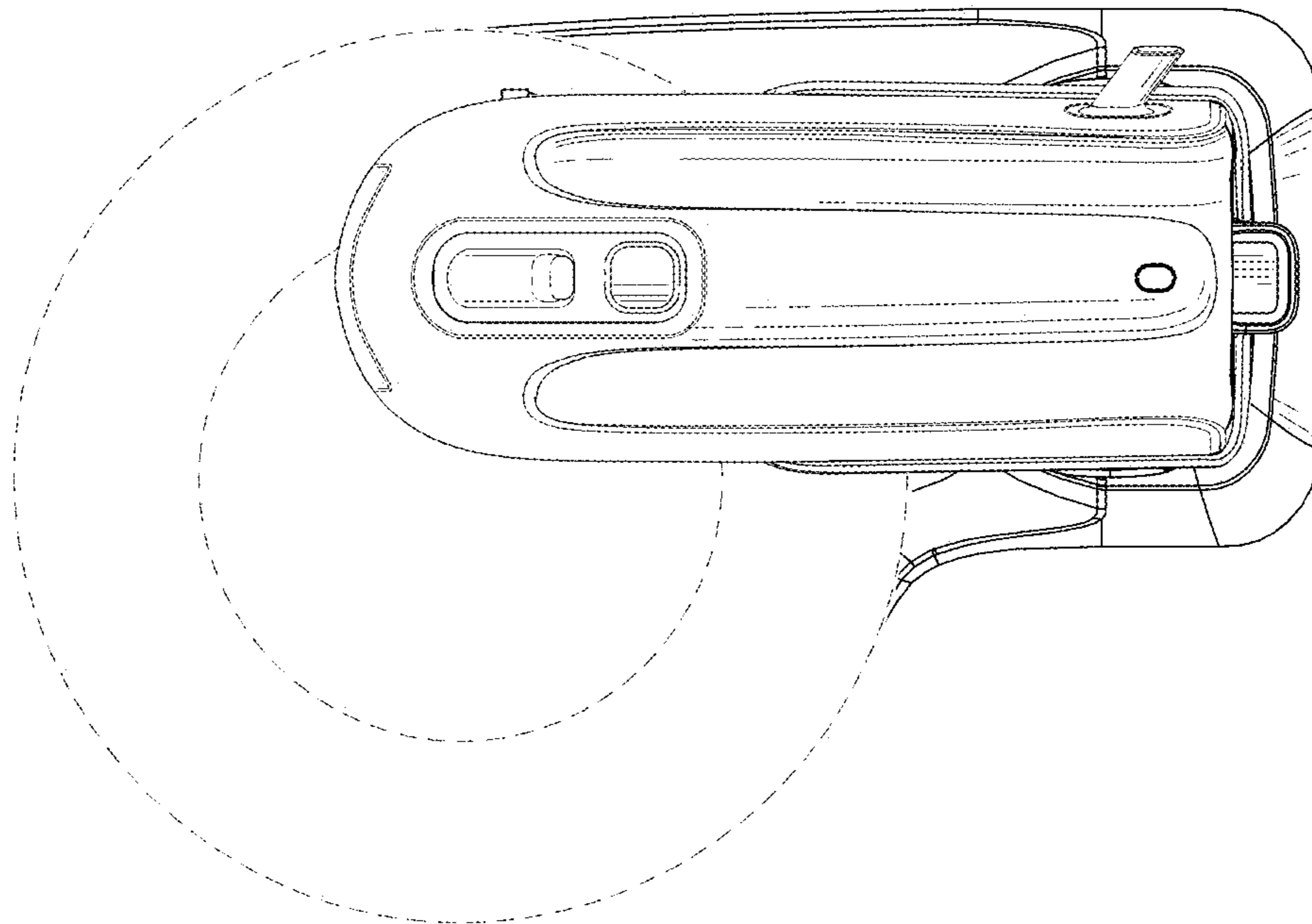


FIG. 5



**FIG. 6**



**FIG. 7**

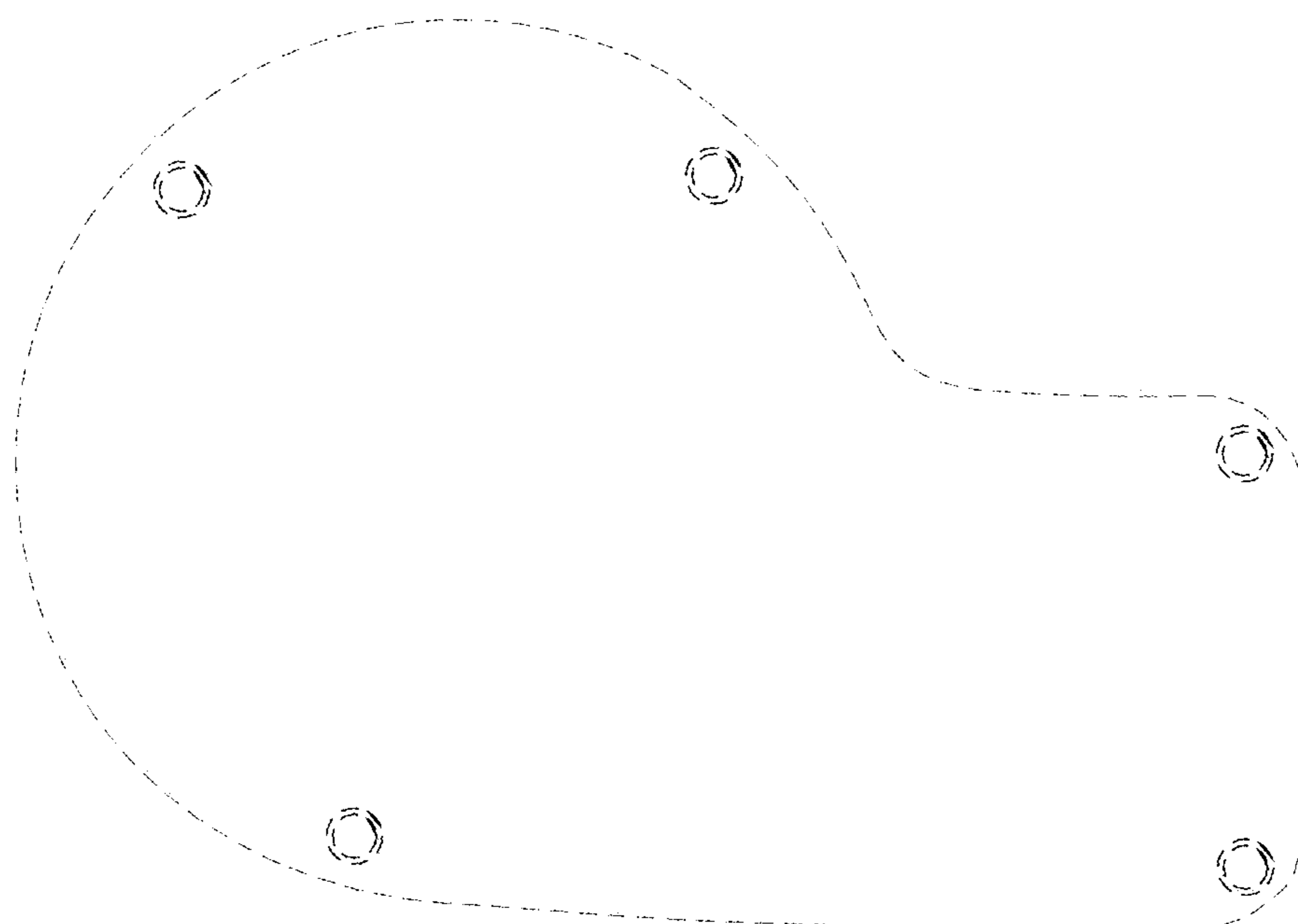
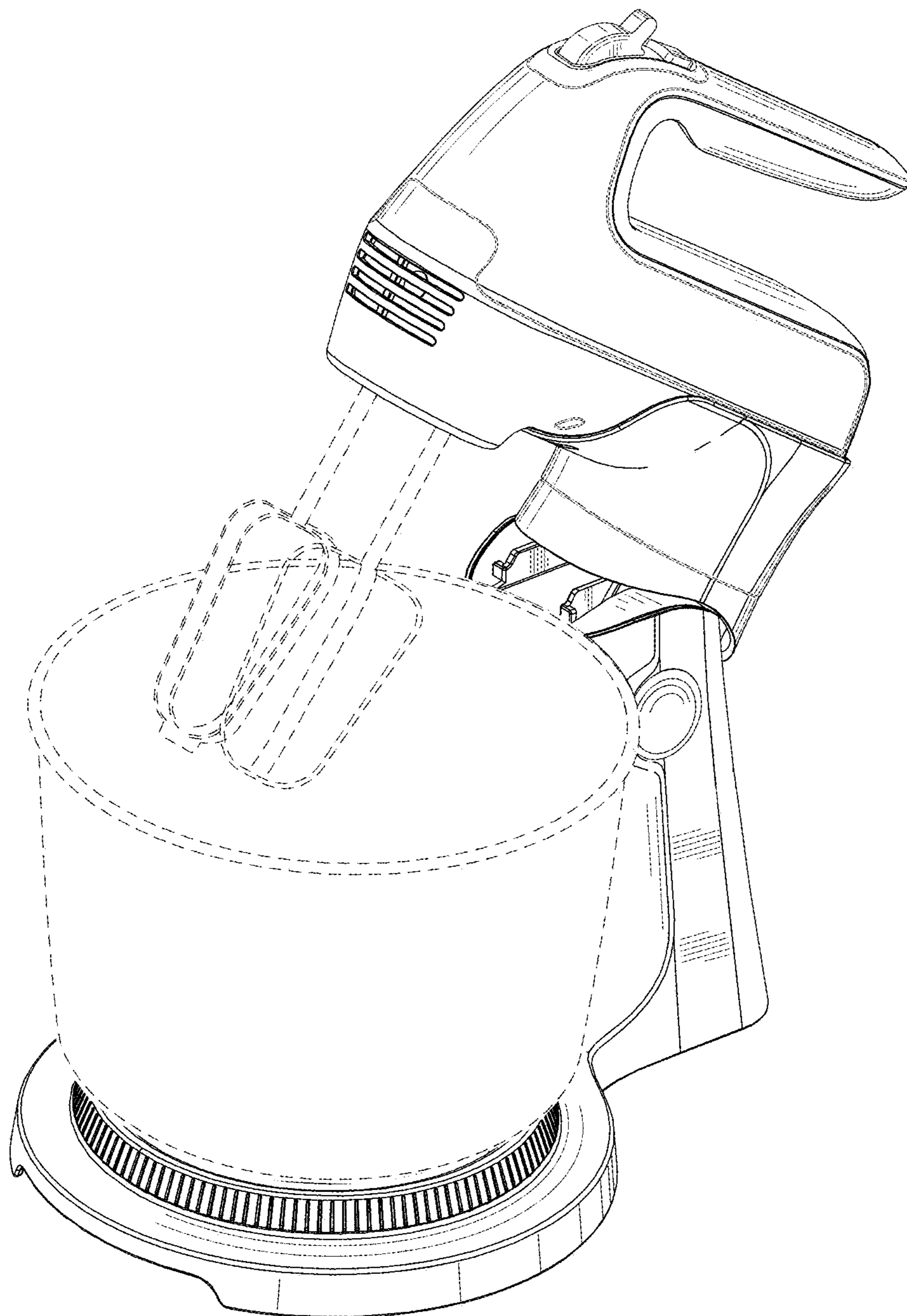




FIG. 8



**FIG. 9**

