



US00D913741S

(12) **United States Design Patent**
Graybeal et al.

(10) **Patent No.:** **US D913,741 S**
(45) **Date of Patent:** **** Mar. 23, 2021**

- (54) **THREE PART SKILLET**
- (71) Applicants: **Lisa Graybeal**, Mooresville, NC (US);
Michael Mayfield, Huntersville, NC (US)
- (72) Inventors: **Lisa Graybeal**, Mooresville, NC (US);
Michael Mayfield, Huntersville, NC (US)
- (**) Term: **15 Years**

- 894,118 A * 7/1908 Compston B65D 81/3222
222/129
 - 2,223,432 A 12/1940 Smith
 - 2,515,617 A * 7/1950 Tilford A47J 37/10
126/390.1
 - D291,042 S * 7/1987 Fahey D7/555
 - D364,537 S * 11/1995 Anderson D7/553.6
 - D383,354 S * 9/1997 Nassar D7/357
 - D395,787 S * 7/1998 Wilks D7/357
 - D483,999 S * 12/2003 Beachum D7/357
 - D498,640 S * 11/2004 Kloppsteck D7/361
- (Continued)

- (21) Appl. No.: **29/719,252**
- (22) Filed: **Jan. 2, 2020**

Related U.S. Application Data

- (63) Continuation-in-part of application No. 16/716,665, filed on Dec. 17, 2019.
- (51) **LOC (13) Cl.** **07-02**
- (52) **U.S. Cl.**
USPC **D7/361**; D7/354; D7/359
- (58) **Field of Classification Search**
USPC D7/323, 354-363, 391, 393-396, 409,
D7/553.6, 555, 701; D11/52
CPC A47G 19/12; A47J 27/00; A47J 27/002;
A47J 27/08; A47J 27/21; A47J 27/58;
A47J 36/025; A47J 36/06; A47J 36/12;
A47J 37/00; A47J 37/10; A47J 37/26;
A47J 37/101; A47J 37/103; A47J 37/12;
A47J 37/1204; A47J 45/061; A47J
45/071; A47J 45/08; B65D 81/3222;
H05B 6/12
See application file for complete search history.

(56) **References Cited**

U.S. PATENT DOCUMENTS

- 166,120 A 7/1875 Malin
- 867,086 A * 9/1907 Sullivan A47J 36/26
126/373.1

OTHER PUBLICATIONS

The Triple Divided Skillet. Date First Available on Amazon.com Nov. 18, 2013 <https://www.amazon.com/Triple-Divided-Skillet-NS12-303-The/dp/B00GQL37WU> (Year: 2013).*

Primary Examiner — Ricky Pham

(74) *Attorney, Agent, or Firm* — Boudwin Intellectual Property; Daniel Boudwin

(57) **CLAIM**

The ornamental design for a three part skillet, as shown and described.

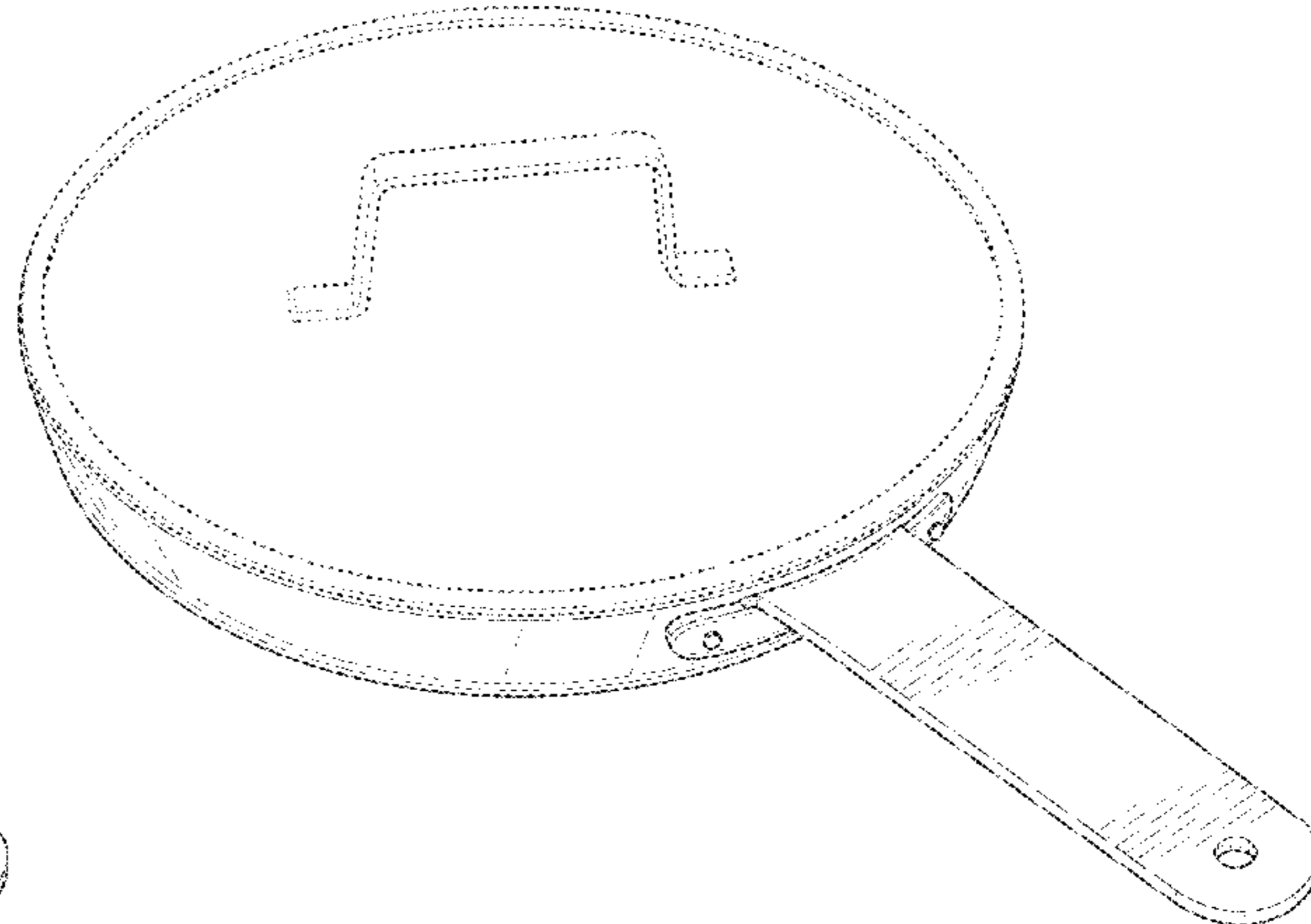
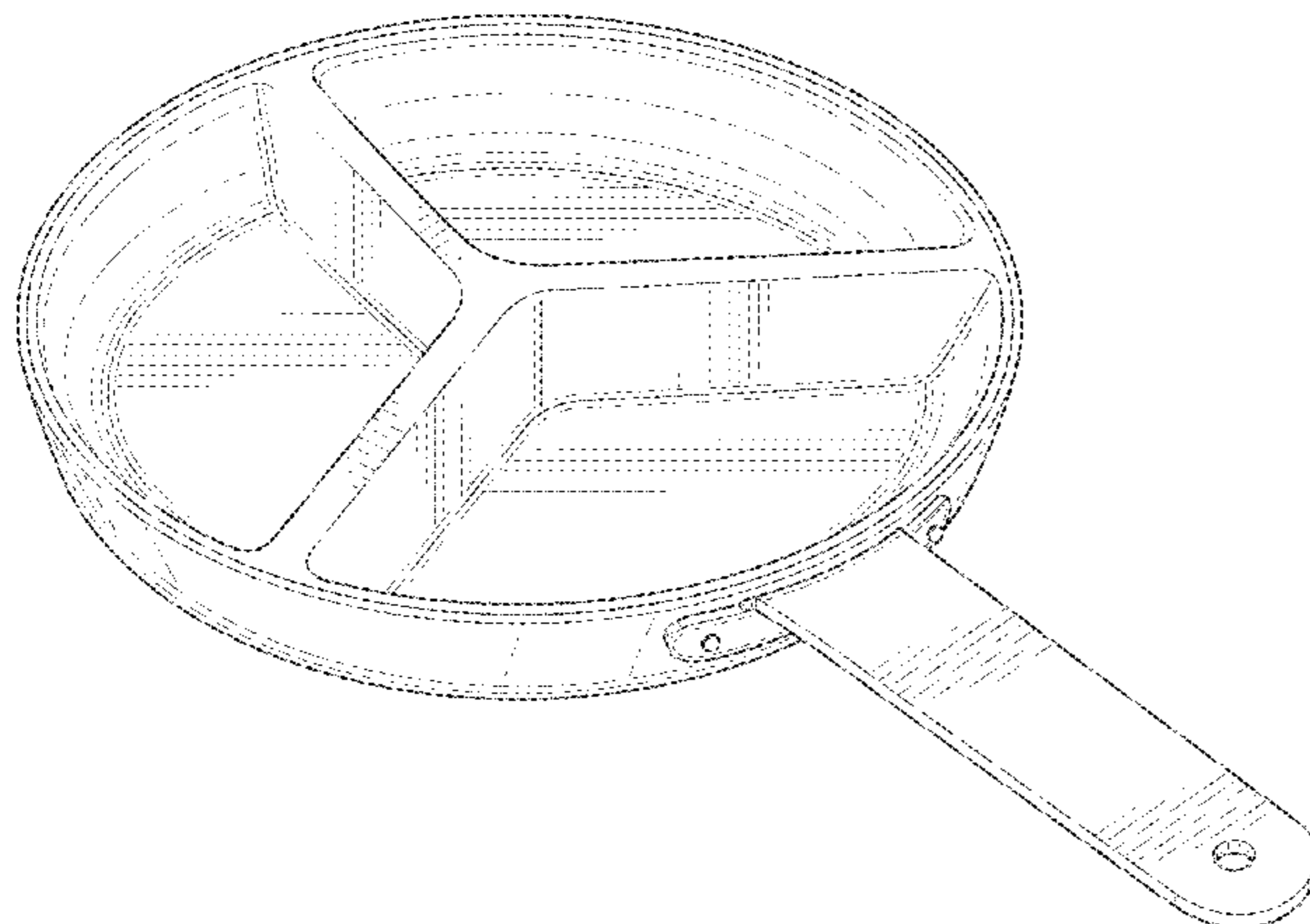
DESCRIPTION

FIG. 1 shows a perspective view of a three part skillet. FIG. 2 shows a top plan view of the three part skillet. FIG. 3 shows a bottom plan view of the three part skillet. FIG. 4 shows a rear view of three part skillet. FIG. 5 shows a front view of the three part skillet. FIG. 6 shows a left side view of the three part skillet. FIG. 7 shows a right side view of the three part skillet; and, FIG. 8 shows a perspective view of a three part skillet with a lid.

The shade lines in the Figures show contour and not surface ornamentation.

The broken lines in FIG. 8 show environmental features which form no part of the claimed design.

1 Claim, 6 Drawing Sheets



(56)

References Cited

U.S. PATENT DOCUMENTS

D542,706 S * 5/2007 Prenatt D11/152
D568,110 S * 5/2008 Epstein D7/553.6
8,800,804 B1 8/2014 Roben
D830,109 S * 10/2018 Xiong D7/359
D831,443 S * 10/2018 Zhang D7/701
2001/0032856 A1 10/2001 Casey
2011/0017750 A1 1/2011 Fortkamp
2013/0112091 A1 5/2013 Page

* cited by examiner

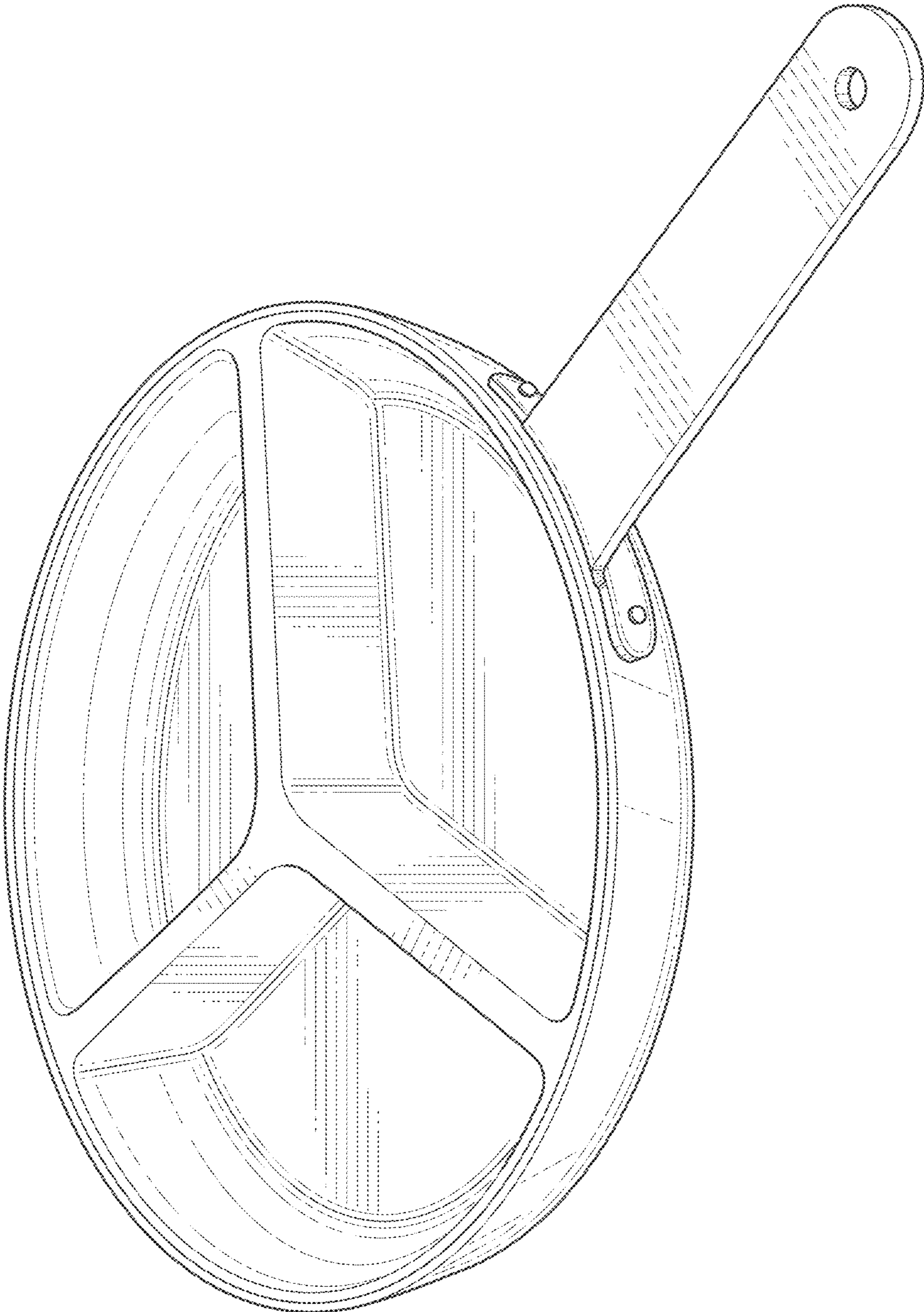


FIG. 1

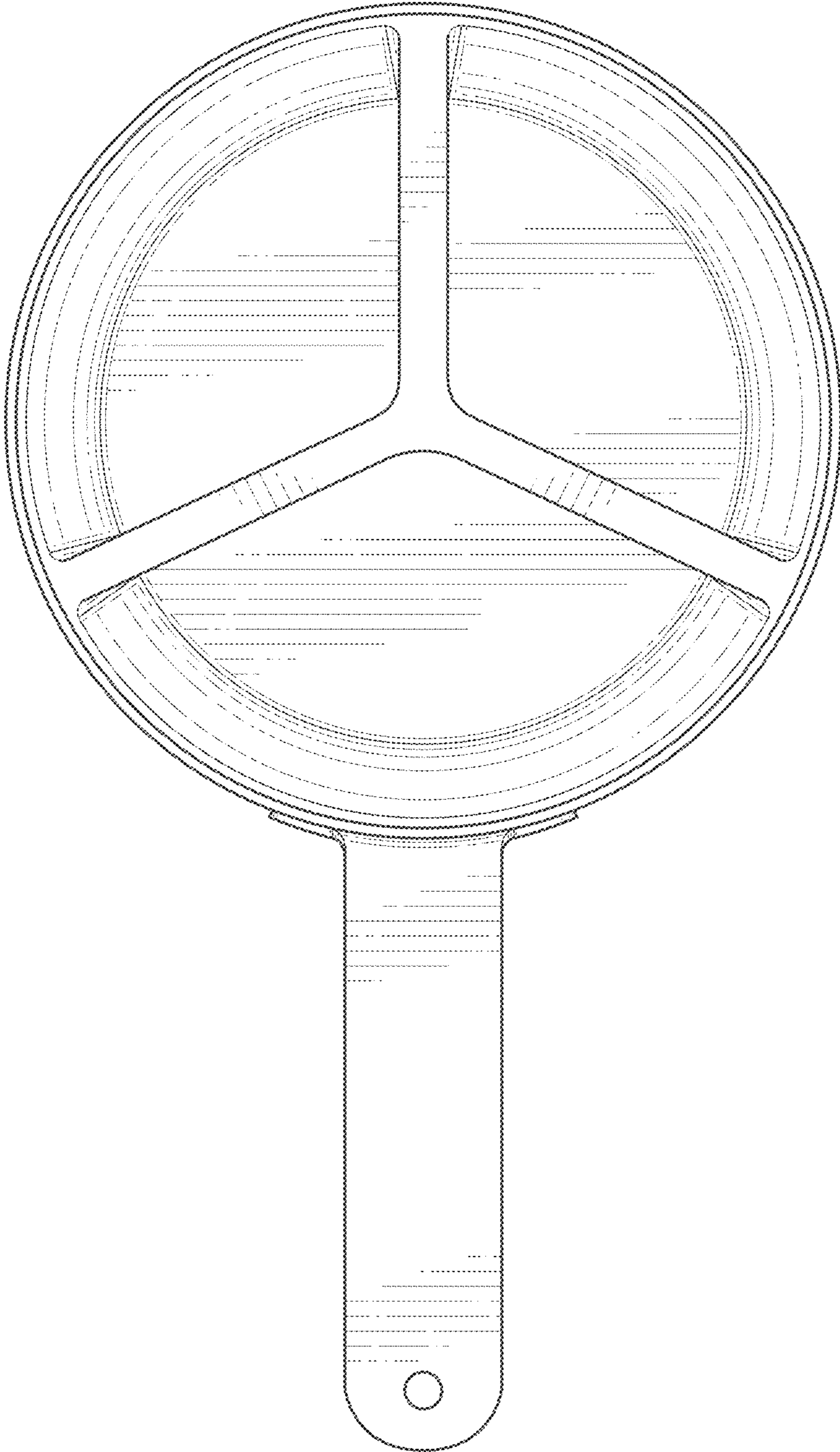


FIG. 2

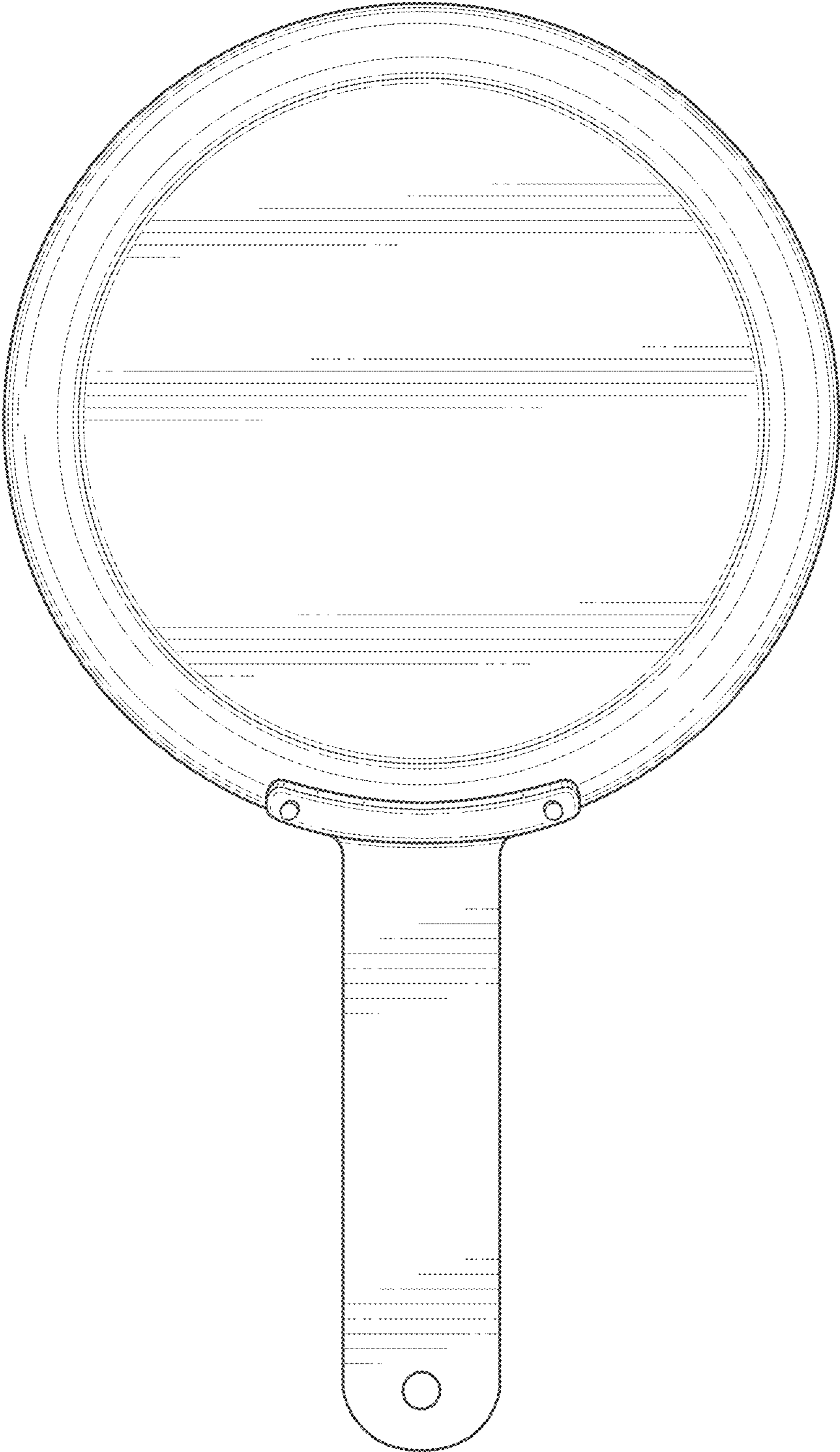


FIG. 3

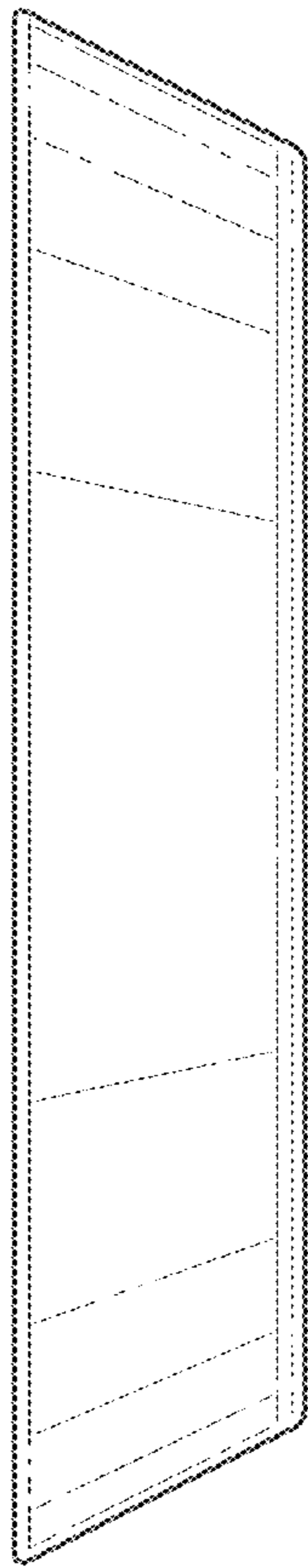


FIG. 4

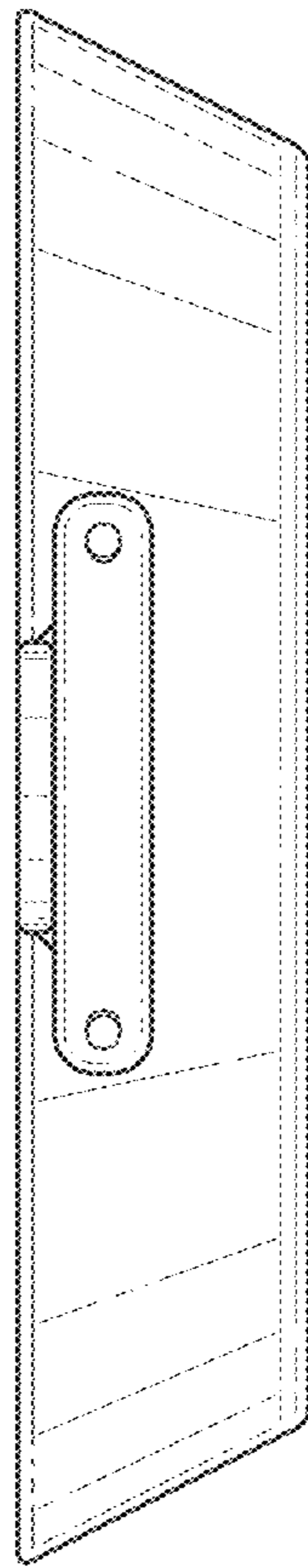


FIG. 5

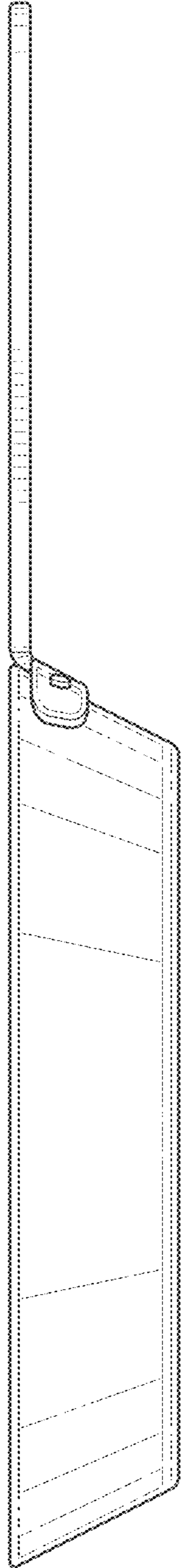


FIG. 6

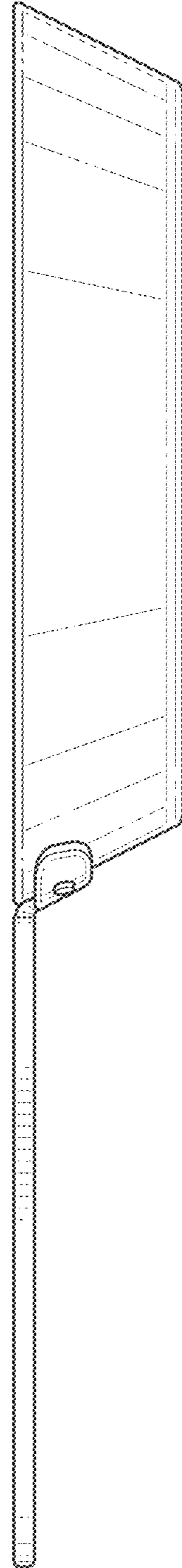


FIG. 7

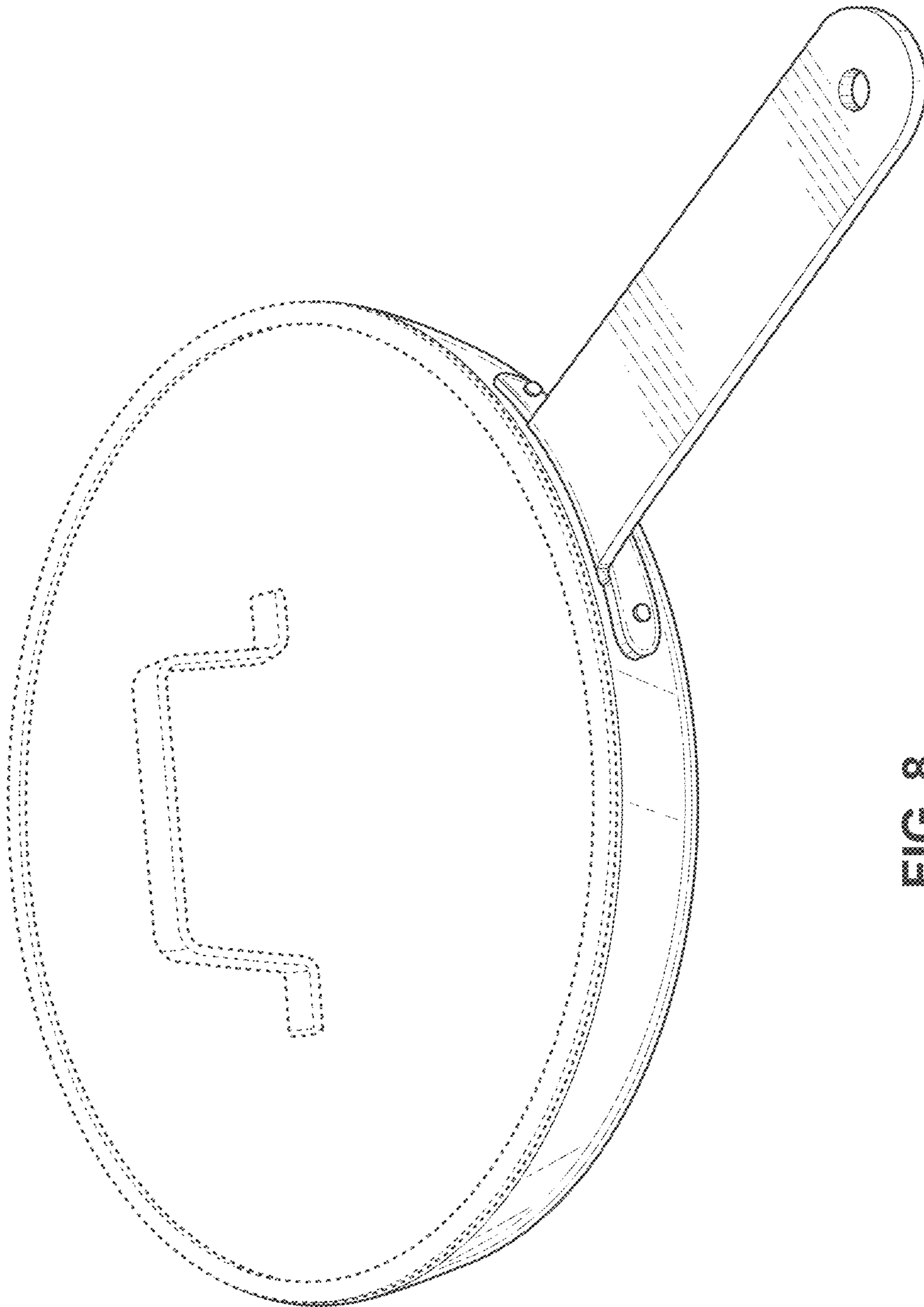


FIG. 8