



US00D913740S

(12) **United States Design Patent**  
**Hollinger**

(10) **Patent No.:** **US D913,740 S**  
(45) **Date of Patent:** **\*\* Mar. 23, 2021**

- (54) **STACKABLE PIECE OF COOKWARE**
- (71) Applicant: **E. MISHAN & SONS, INC.**, New York, NY (US)
- (72) Inventor: **Fred Hollinger**, Monroe Township, NJ (US)
- (73) Assignee: **E. Mishan & Sons, Inc.**, New York, NY (US)
- (\*\*) Term: **15 Years**

2,116,489 A	5/1938	Jackson	
2,199,687 A	5/1940	Blankenship	
2,222,584 A	11/1940	Oltman	
2,624,487 A	1/1953	Fry	
D199,747 S *	12/1964	Farber .....	D7/354
3,641,920 A	2/1972	Kraft et al.	
4,204,609 A	5/1980	Kuhn	
5,253,758 A	10/1993	Bissell, II	
D349,420 S	8/1994	Hasuike	
D358,062 S	5/1995	Hasuike	
6,237,775 B1	5/2001	Hatch et al.	
7,347,327 B2	3/2008	Lobman et al.	

(Continued)

- (21) Appl. No.: **29/751,794**
- (22) Filed: **Sep. 23, 2020**

FOREIGN PATENT DOCUMENTS

AU	503645	1/1978
AU	41207/78	10/1978

(Continued)

**Related U.S. Application Data**

- (63) Continuation of application No. 29/700,576, filed on Aug. 2, 2019, now Pat. No. Des. 904,111.
- (51) **LOC (13) Cl.** ..... **07-02**
- (52) **U.S. Cl.**  
USPC ..... **D7/354; D7/360**
- (58) **Field of Classification Search**  
USPC ..... D7/323, 354-363, 391, 393-396, 409  
CPC ..... A47G 19/12; A47J 27/00; A47J 27/002;  
A47J 27/08; A47J 27/21; A47J 27/58;  
A47J 36/025; A47J 36/06; A47J 36/12;  
A47J 37/00; A47J 37/10; A47J 37/101;  
A47J 37/103; A47J 37/12; A47J 37/1204;  
A47J 45/061; A47J 45/071; A47J 45/08;  
H05B 6/12  
See application file for complete search history.

Primary Examiner — Ricky Pham

(74) *Attorney, Agent, or Firm* — Notaro, Michalos & Zaccaria P.C.

(57) **CLAIM**

The ornamental design for a stackable piece of cookware, as shown and described.

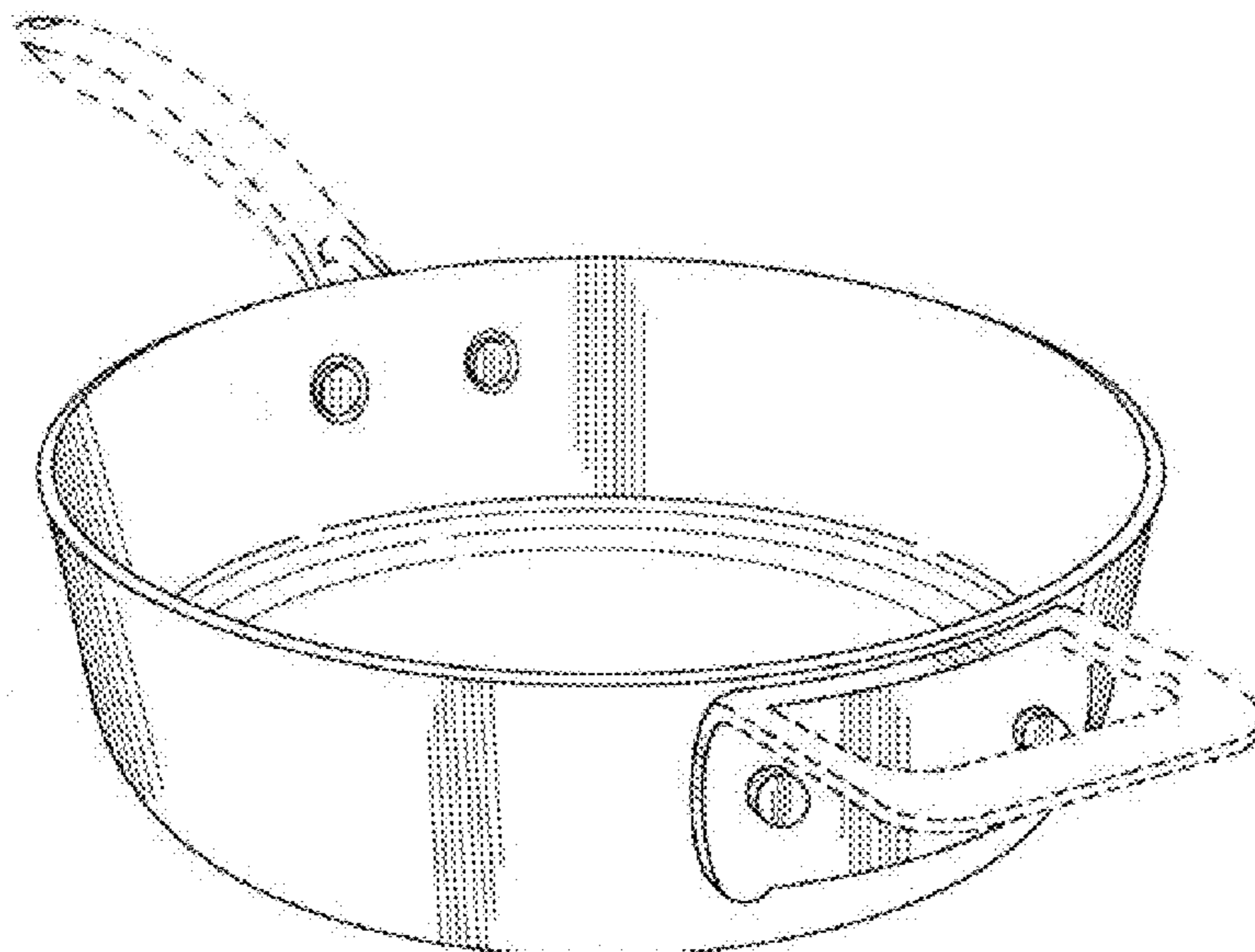
**DESCRIPTION**

FIG. 1 is a top, rear, right perspective view showing my design therefor;  
 FIG. 2 is a front, top perspective view thereof;  
 FIG. 3 is a right side elevational view thereof;  
 FIG. 4 is a rear elevational view thereof;  
 FIG. 5 is a front elevational view thereof;  
 FIG. 6 is a top plan view thereof;  
 FIG. 7 is a bottom plan view thereof; and,  
 FIG. 8 is a sectional view taken a long the line 8-8 of FIG. 3.  
 The broken lines are for the purpose of illustrating portions of the article that form no part of the claim.

(56) **References Cited**  
U.S. PATENT DOCUMENTS

1,268,017 A	5/1918	Knight
2,037,807 A	4/1936	Lockwood
2,058,807 A	10/1936	Lockwood
2,116,487 A	5/1938	Jackson

**1 Claim, 8 Drawing Sheets**



(56)

References Cited

U.S. PATENT DOCUMENTS

D581,721 S \* 12/2008 Rae ..... D7/360  
 D618,491 S \* 6/2010 Welk ..... D7/360  
 D621,652 S \* 8/2010 Dodane ..... D7/354  
 D639,109 S \* 6/2011 Molayem ..... D7/356  
 D641,201 S \* 7/2011 Molayem ..... D7/356  
 8,272,531 B2 9/2012 Cuillery et al.  
 8,413,840 B2 4/2013 Metaxatos et al.  
 9,139,926 B2 9/2015 Musil et al.  
 D822,424 S \* 7/2018 Ma ..... D7/356  
 D829,486 S \* 10/2018 Mirchandani ..... D7/354  
 10,106,296 B2 \* 10/2018 LePinske ..... A47J 45/061  
 10,486,857 B2 \* 11/2019 Gossens ..... A47J 27/002  
 D879,545 S \* 3/2020 Hollinger ..... D7/360  
 D880,222 S \* 4/2020 Hollinger ..... D7/361  
 2003/0167932 A1 9/2003 Chen  
 2009/0035433 A1 2/2009 France et al.  
 2009/0049650 A1 2/2009 Cuillery et al.  
 2009/0065509 A1 3/2009 Schuler  
 2009/0095754 A1 4/2009 Liu  
 2011/0056957 A1 3/2011 Cheng  
 2013/0098920 A1 4/2013 Lee  
 2013/0306646 A1 11/2013 Cheng  
 2014/0224810 A1 8/2014 Bar-Akiva  
 2016/0010237 A1 1/2016 Musil et al.

2016/0054049 A1 2/2016 Harvie  
 2017/0238757 A1 8/2017 Hengel et al.  
 2017/0247143 A1 8/2017 Gossens et al.  
 2017/0290453 A1 10/2017 Pittman  
 2018/0125281 A1 5/2018 Truong et al.  
 2018/0271331 A1 9/2018 Lee  
 2019/0142207 A1 \* 5/2019 Hollinger ..... A47J 27/002  
 220/573.1

FOREIGN PATENT DOCUMENTS

CA 1255240 A 6/1989  
 DE 8615346 U1 11/1987  
 DE 4330653 A1 10/1994  
 DE 40008484-0004 11/2000  
 DE 40008484-0022 11/2000  
 DE 40200009-0006 2/2002  
 DE 40200009-0008 2/2002  
 DE 40200009-0009 2/2002  
 DE 40502400-0010 8/2005  
 DE 102009023000 A1 12/2010  
 EM 003742733-0006 2/2017  
 EP 0734672 A1 10/1996  
 EP 3210503 A1 2/2017  
 WO 2006100367 A1 9/2006

\* cited by examiner

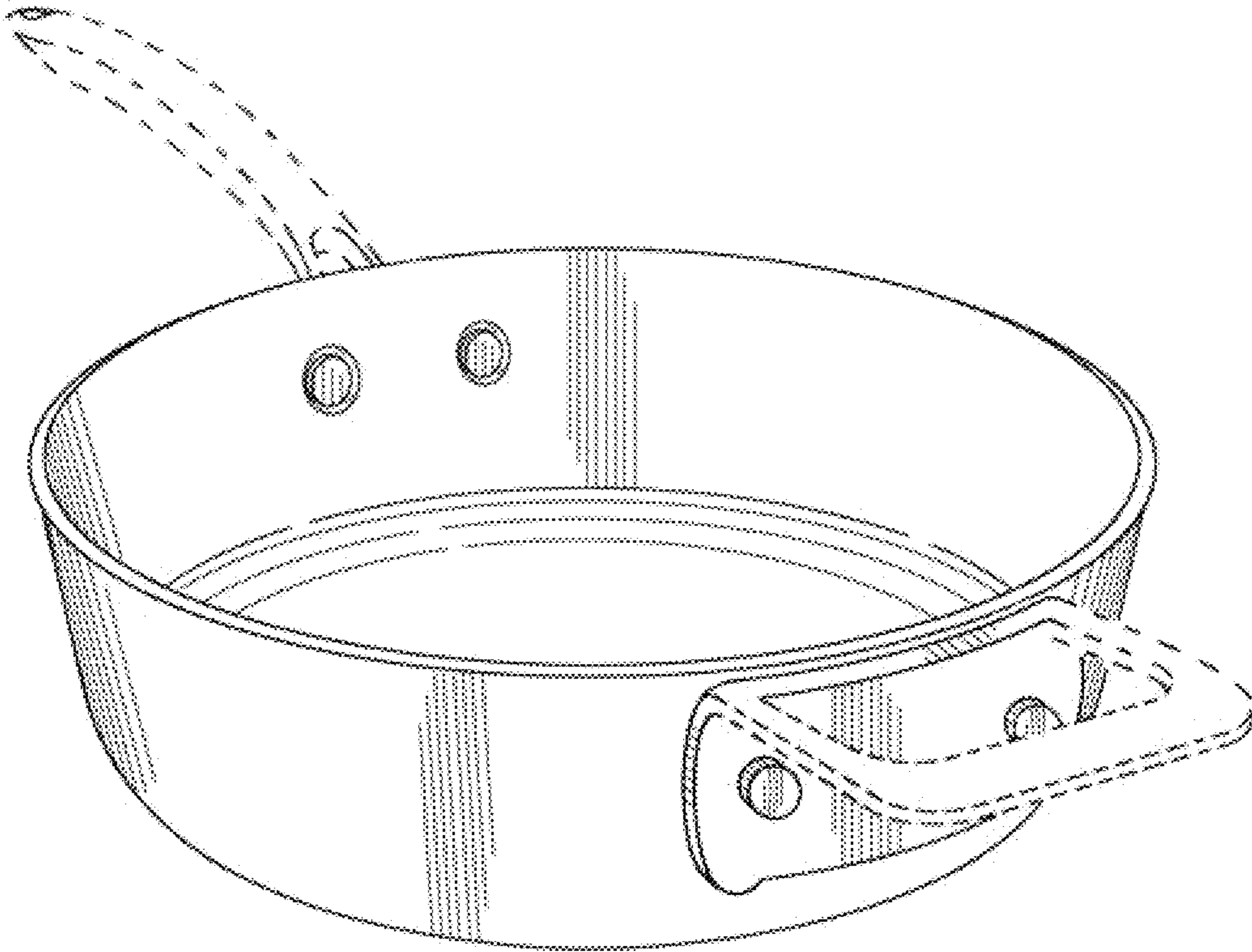


Fig. 1

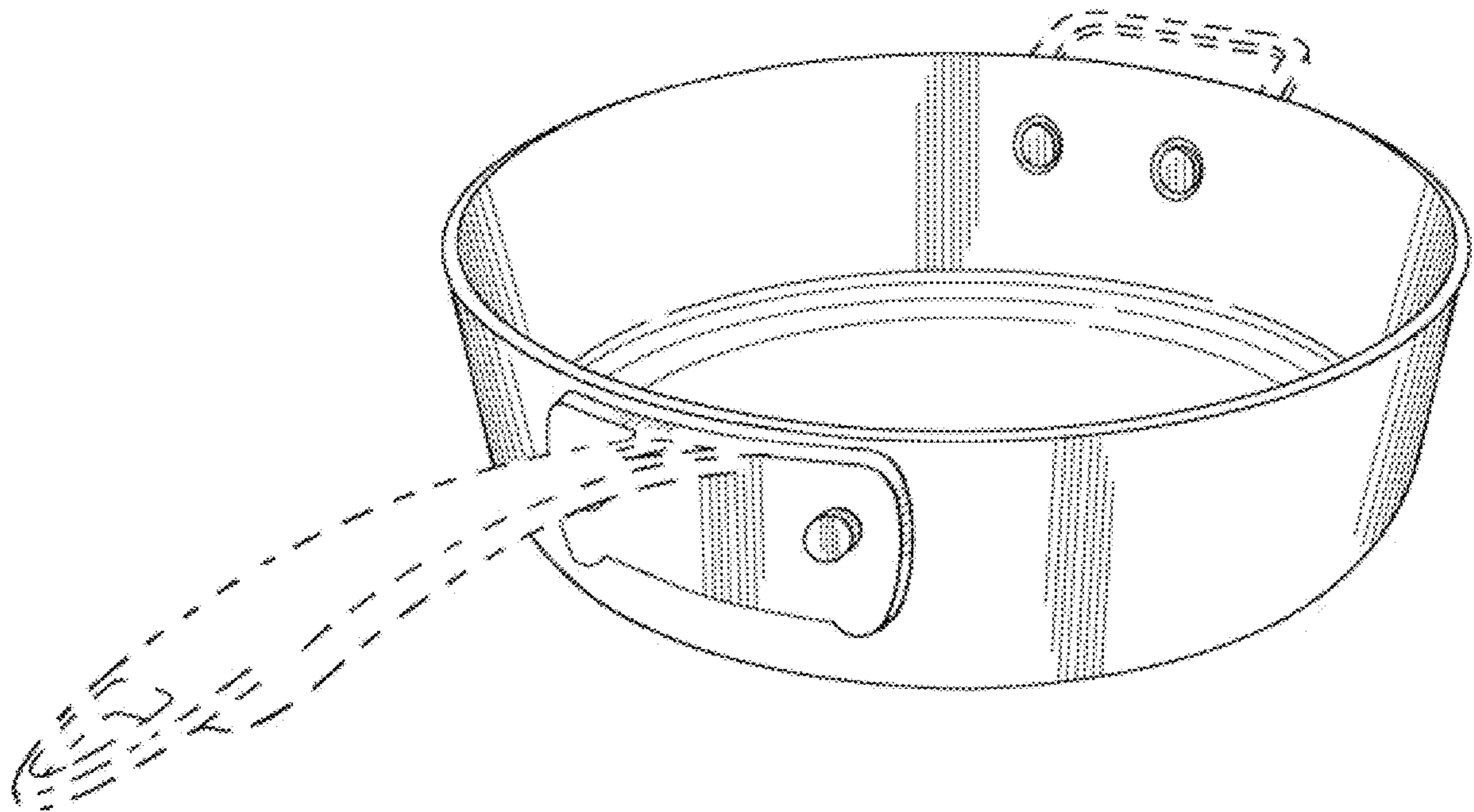


Fig. 2

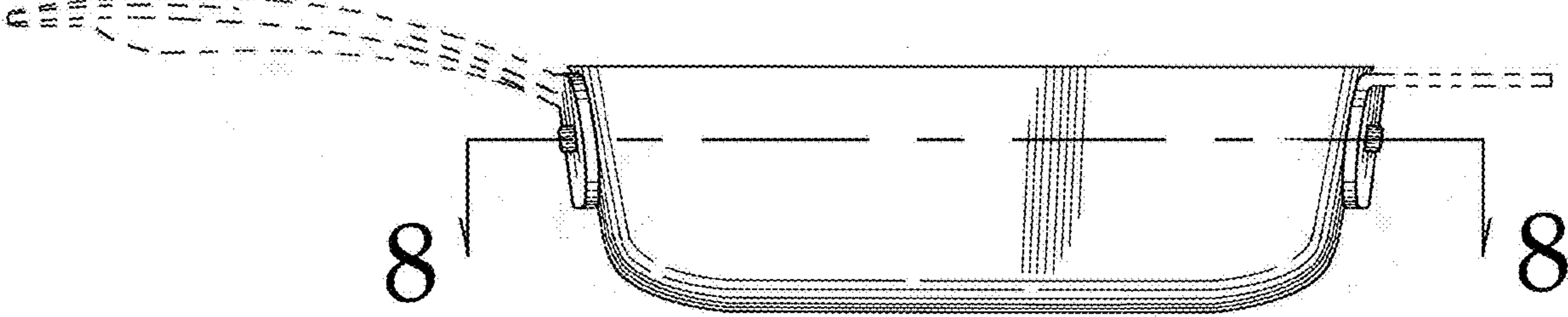


Fig.3

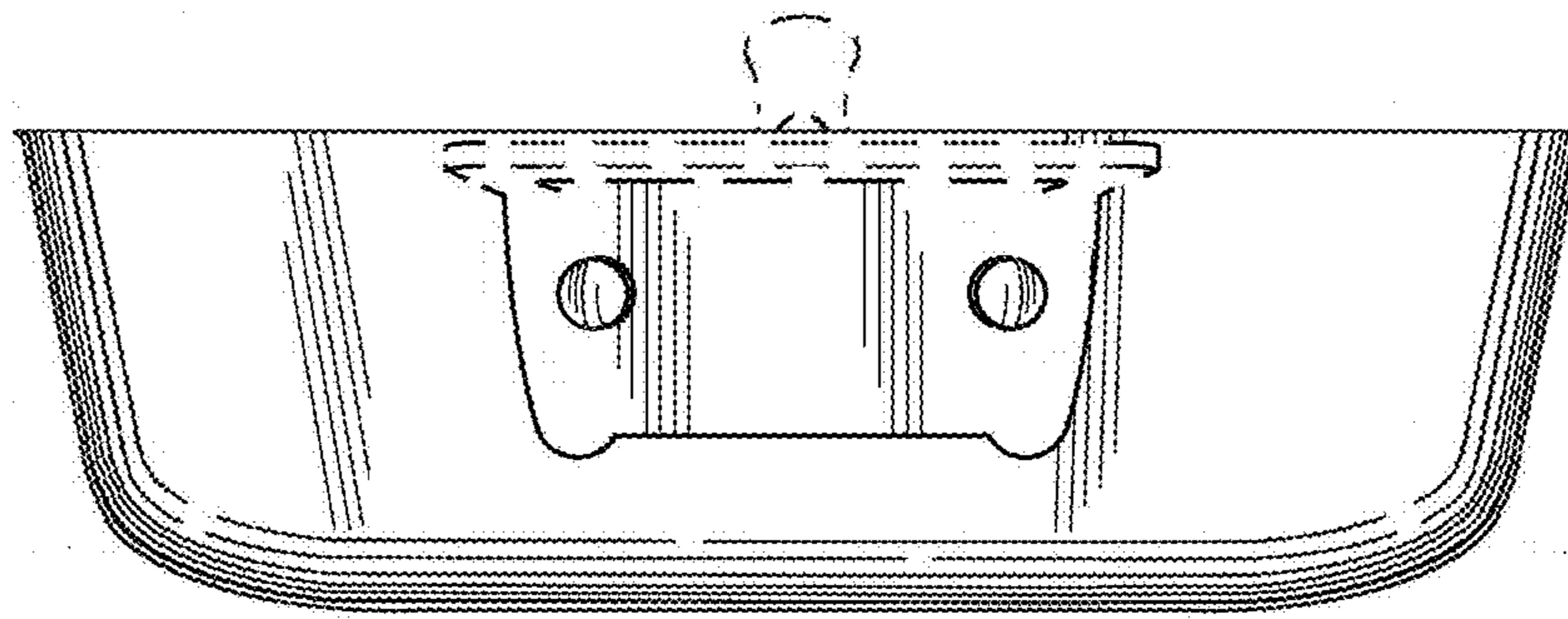


Fig.4

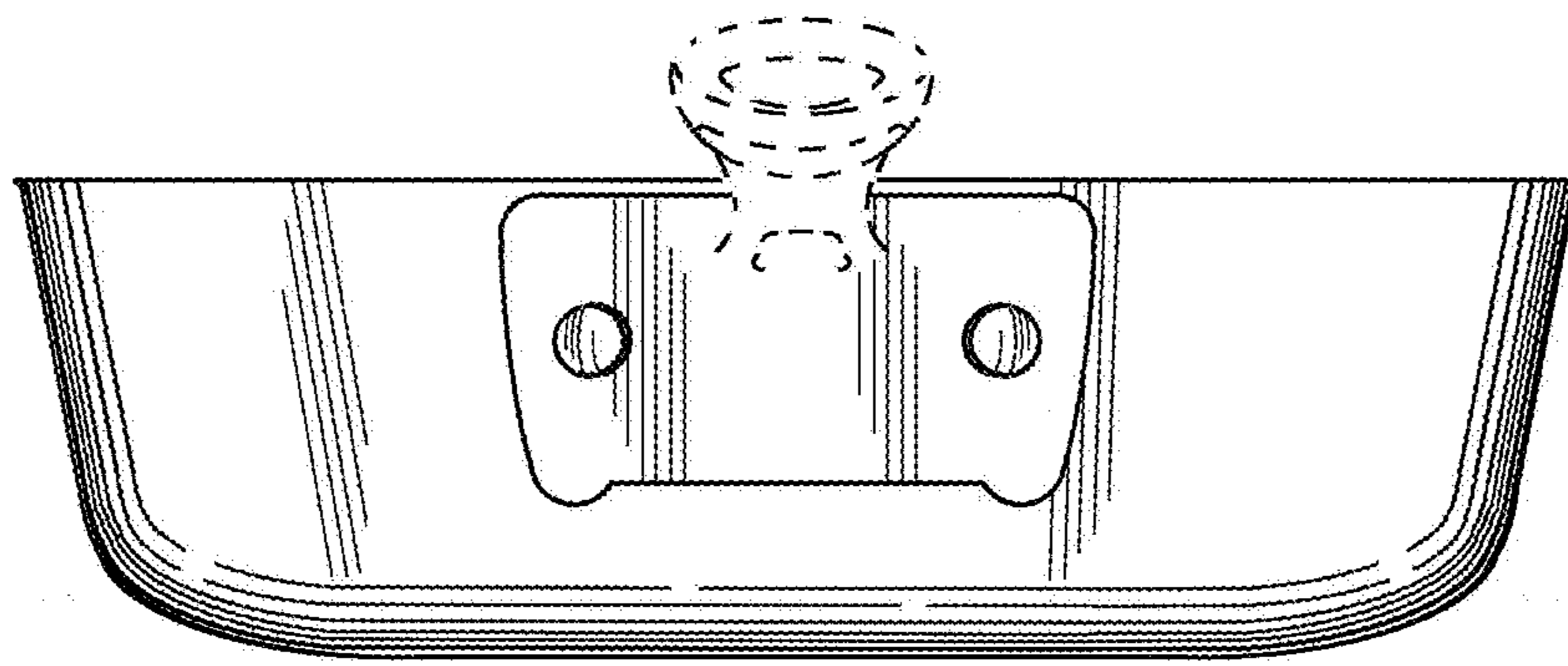


Fig. 5

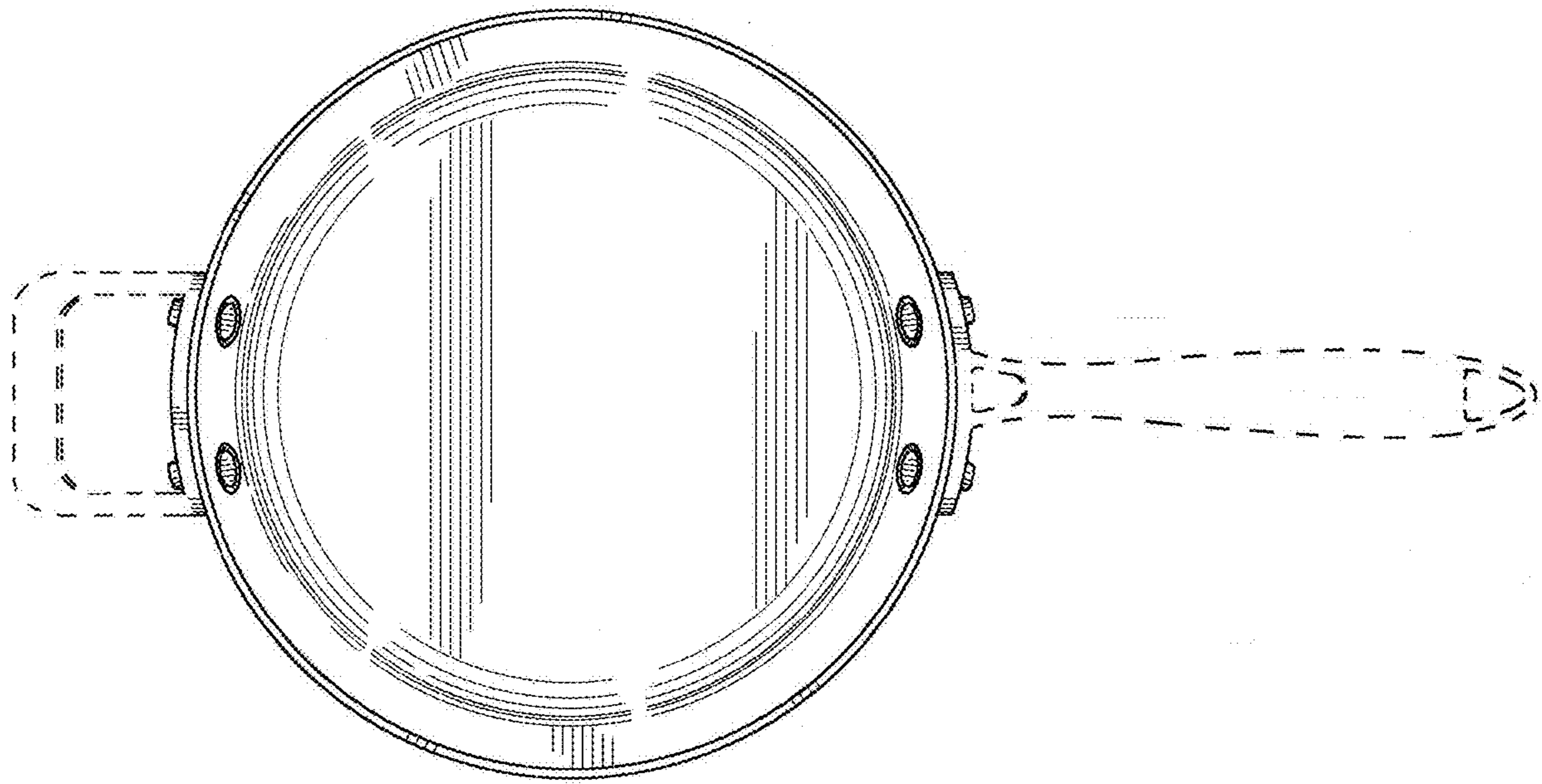


Fig. 6



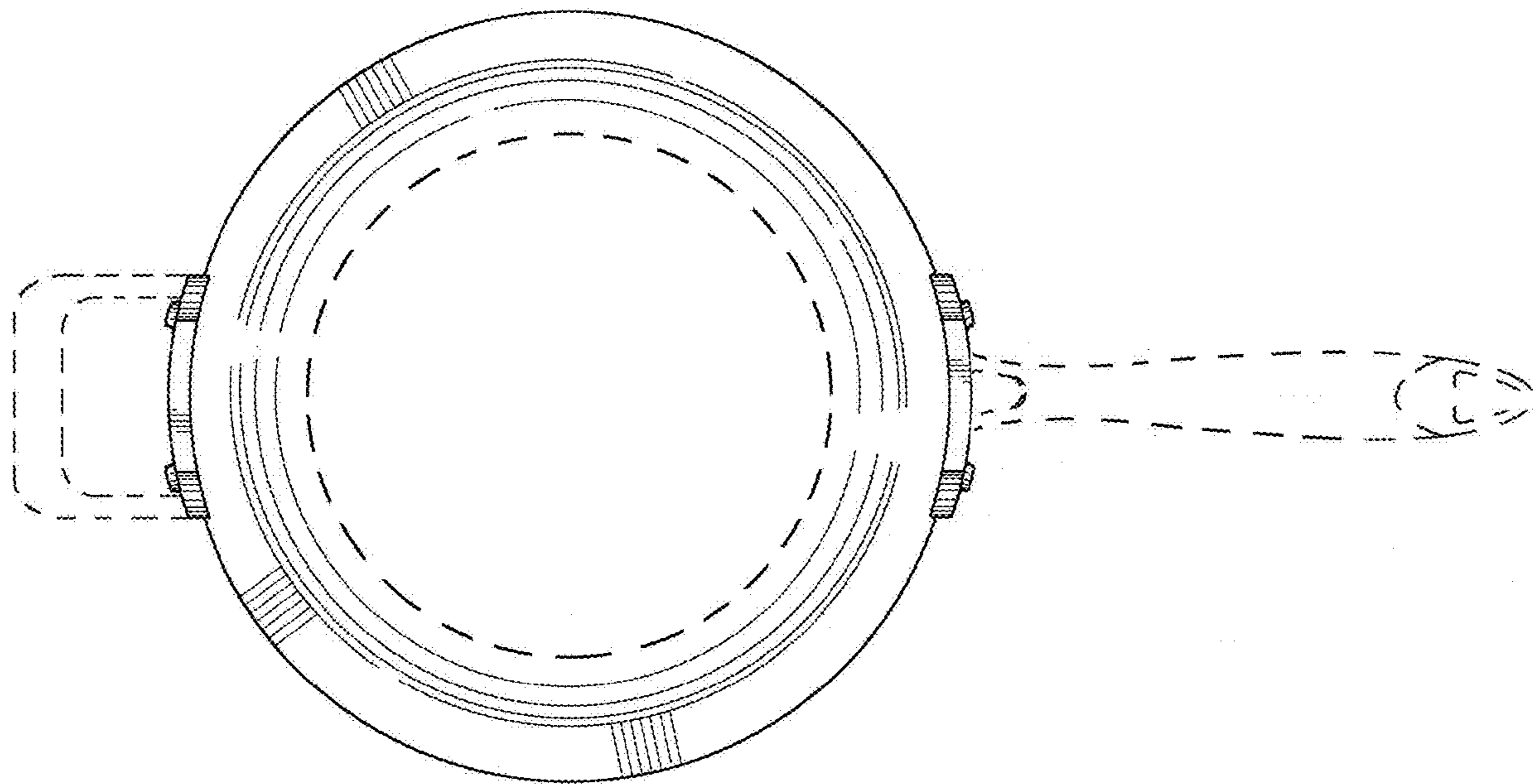


Fig.7

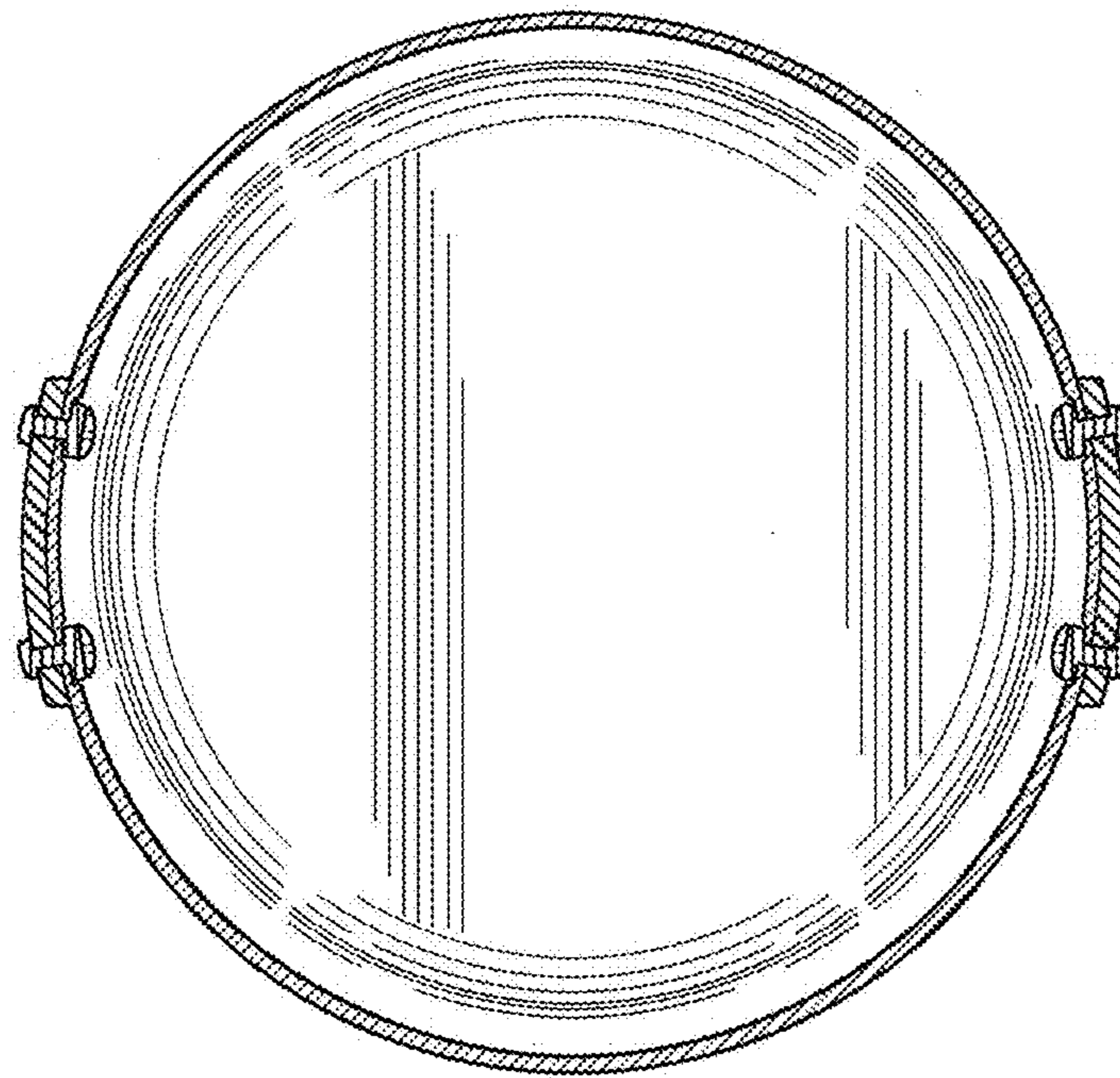


Fig.8