



US00D913737S

(12) **United States Design Patent** (10) **Patent No.:** **US D913,737 S**
Schwalbach et al. (45) **Date of Patent:** **** Mar. 23, 2021**

(54) **TABLE**

(71) Applicant: **Apple Inc.**, Cupertino, CA (US)
(72) Inventors: **Charles A. Schwalbach**, Menlo Park, CA (US); **David Samuel Kumka**, San Francisco, CA (US); **Russell John Kaaihue Heirakuji**, Cupertino, CA (US); **Carly Lynn Marasco**, Los Gatos, CA (US); **Frank Craig Thaler**, Santa Cruz, CA (US)

(73) Assignee: **Apple Inc.**, Cupertino, CA (US)

(**) Term: **15 Years**

(21) Appl. No.: **29/670,426**

(22) Filed: **Nov. 15, 2018**

Related U.S. Application Data

(63) Continuation of application No. 29/618,445, filed on Sep. 21, 2017, now Pat. No. Des. 833,789, which is a continuation of application No. 29/586,953, filed on Dec. 8, 2016, now Pat. No. Des. 799,250, which is a continuation of application No. 29/516,911, filed on Feb. 6, 2015, now Pat. No. Des. 773,868.

(51) **LOC (13) Cl.** **06-06**

(52) **U.S. Cl.**
USPC **D6/707.19**

(58) **Field of Classification Search**
USPC ... D6/300, 642, 651, 656.19, 661, 675, 686, D6/688.22, 691, 691.1, 691.2, 691.4, D6/691.5, 691.7, 691.8, 691.9, 695.6, D6/707, 707.19; D7/333, 339, 346; D21/397; D23/308, 343
CPC .. A47F 3/007; A47F 3/14; A47F 7/022; A47F 7/024; A47B 13/00; A47B 13/12
See application file for complete search history.

(56) **References Cited**

U.S. PATENT DOCUMENTS

D63,194 S * 10/1923 Peterson D6/663
D132,875 S 6/1942 Cooper
D134,686 S * 12/1942 Waltman D6/691.2
(Continued)

OTHER PUBLICATIONS

“A new APR and its Apple Watch table for Angers.” Found online Sep. 10, 2020 at www.macg.co. PAge dated Nov. 23, 2015. Retrieved from URL: https://www.macg.co/aapl/2015/11/un-nouvel-apr-et-sa-table-apple-watch-pour-angers-91942 (Year: 2015).*
(Continued)

Primary Examiner — Mary Ann Calabrese
Assistant Examiner — Katelin G Kloberg
(74) *Attorney, Agent, or Firm* — Sterne, Kessler, Goldstein & Fox P.L.L.C.

(57) **CLAIM**

The ornamental design for a table, as shown and described.

DESCRIPTION

The file of this patent contains at least one drawing/photograph executed in color. Copies of this patent with color drawing(s)/photograph(s) will be provided by the Office upon request and payment of the necessary fee.

FIG. 1 is a top front perspective view of a table showing the claimed design;

FIG. 2 is a front view thereof;

FIG. 3 is a rear view thereof;

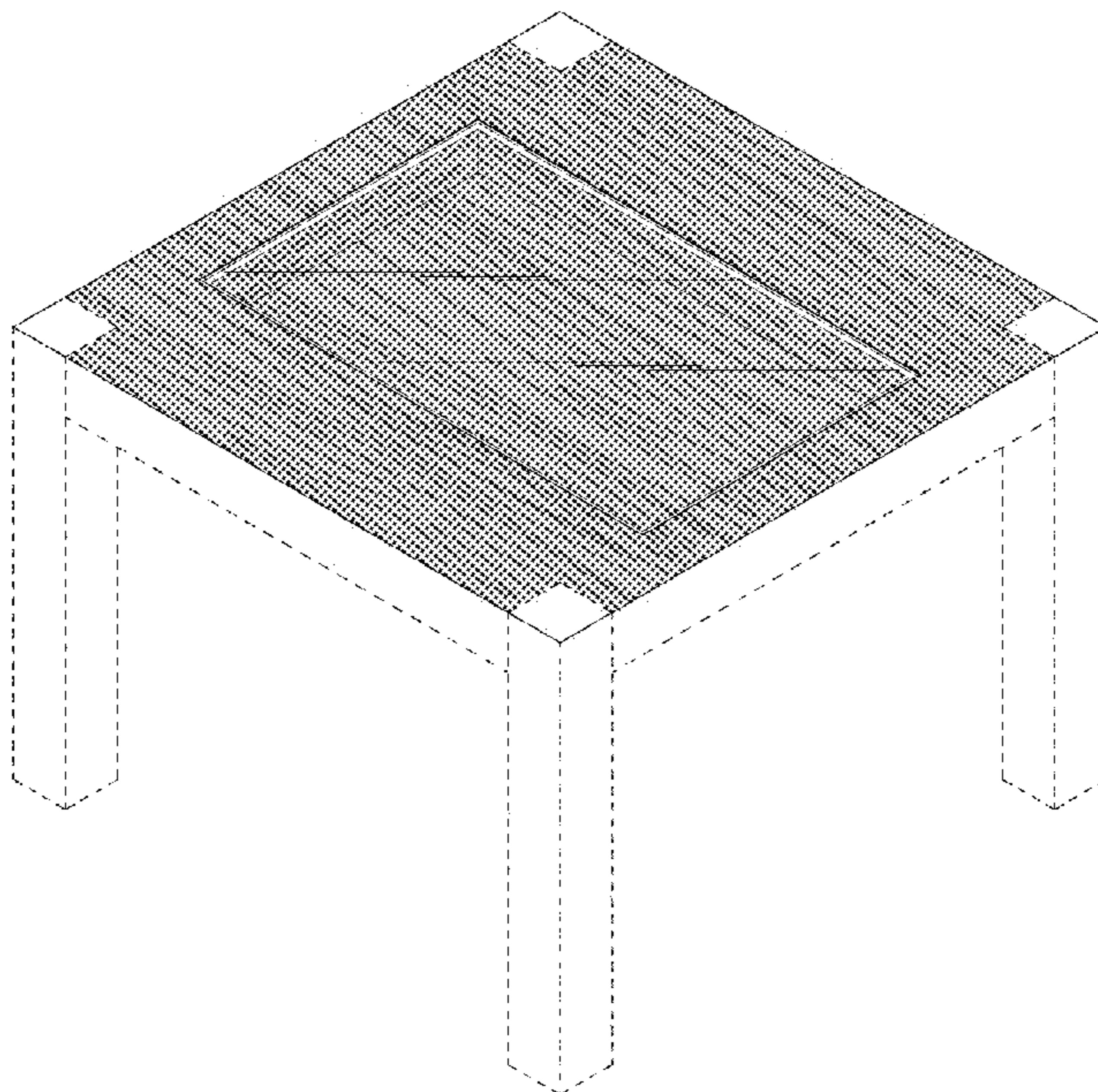
FIG. 4 is a right side view thereof;

FIG. 5 is a left side view thereof; and,

FIG. 6 is a top view thereof.

The broken lines in the Figures show portions of the table that form no part of the claimed design.

1 Claim, 4 Drawing Sheets
(2 of 4 Drawing Sheet(s) Filed in Color)



(56)

References Cited

U.S. PATENT DOCUMENTS

D139,870 S * 1/1945 McDonald D6/691.9
 3,003,243 A 10/1961 Kanzelberger
 D196,440 S * 10/1963 Turner D6/691.2
 D214,741 S 7/1969 Dean
 D218,903 S 10/1970 Chichester
 D233,499 S * 11/1974 Sakata D6/686
 D236,204 S * 8/1975 Cooper D23/261
 D238,133 S * 12/1975 Uebele D6/661
 D242,001 S * 10/1976 Carter D6/691.2
 D243,376 S 2/1977 Scott
 D243,982 S 4/1977 Carter
 D248,351 S 7/1978 Bartholomew
 D255,519 S * 6/1980 Friedman D6/691.9
 D278,584 S 4/1985 Bromley
 D281,208 S 11/1985 Raftery
 D299,893 S 2/1989 Diehl
 D300,889 S 5/1989 Bartlett
 D303,885 S * 10/1989 Goetz D6/691.8
 D317,498 S * 6/1991 Reid D23/308
 D322,371 S 12/1991 Rosen
 D350,661 S 9/1994 Klein
 D360,545 S * 7/1995 Lechman D6/656.19
 D374,139 S * 10/1996 Paus D6/691
 D399,374 S 10/1998 Schubert
 D399,680 S * 10/1998 Mak D6/691
 D414,354 S 9/1999 Gower
 D422,810 S * 4/2000 Rasp D6/691.4
 D437,504 S * 2/2001 Giron D6/300
 D448,054 S * 9/2001 Dominguez D21/341
 D456,643 S * 5/2002 Harner D6/691.5
 D466,727 S * 12/2002 Abboud D14/305
 D484,717 S 1/2004 de Blois
 D487,655 S 3/2004 Varsi
 D501,335 S * 2/2005 Stangl D6/651
 D503,296 S * 3/2005 Mason D6/642
 D513,796 S * 1/2006 Borowske D23/343
 D513,909 S 1/2006 Bibi
 D522,274 S 6/2006 Coval
 D528,828 S * 9/2006 Sandler D6/661
 D531,431 S 11/2006 Domack et al.
 D534,743 S 1/2007 Bibi
 D540,570 S 4/2007 Bibi
 D558,489 S 1/2008 Christensen
 D559,017 S * 1/2008 Domack D6/691.9
 D580,682 S * 11/2008 Frinier D6/691
 D583,590 S 12/2008 Ellouz
 D591,079 S 4/2009 Singler et al.
 D591,979 S 5/2009 Singler et al.
 D595,979 S 7/2009 Schweikarth et al.
 D609,502 S * 2/2010 Hayes D6/691
 D640,073 S 6/2011 Cortivo et al.
 D646,507 S 10/2011 Delmestri
 D649,381 S 11/2011 Mainzer
 D657,978 S 4/2012 Hamm et al.
 D659,433 S * 5/2012 Starck D6/656.19
 D674,625 S 1/2013 Mecherle et al.
 D678,696 S 3/2013 Hamm et al.
 D679,521 S 4/2013 Hamm et al.
 D683,161 S 5/2013 Polloni
 D684,413 S 6/2013 Schmitt
 D688,494 S 8/2013 Hamm et al.
 D689,307 S 9/2013 Burt
 D693,156 S 11/2013 Hamm et al.
 D713,658 S 9/2014 Tio et al.
 D717,572 S 11/2014 Morrison
 D721,906 S * 2/2015 Carver D6/691
 D722,369 S * 2/2015 LeTurneau D23/308
 D725,947 S 4/2015 Tio et al.
 D728,281 S 5/2015 Heirakuji et al.

D729,560 S 5/2015 Hamm et al.
 D734,078 S 7/2015 Bougay
 D734,965 S 7/2015 Tio et al.
 D740,373 S * 10/2015 Martin D21/397
 D746,616 S 1/2016 Akana et al.
 D753,419 S 4/2016 Heirakuji et al.
 D757,464 S 5/2016 Chiang
 D758,106 S 6/2016 Hamm et al.
 D766,630 S 9/2016 Akana et al.
 D766,631 S 9/2016 Akana et al.
 D766,632 S 9/2016 Akana et al.
 D766,633 S 9/2016 Akana et al.
 D767,310 S 9/2016 Akana et al.
 D769,654 S 10/2016 Akana et al.
 D773,868 S * 12/2016 Schwalbach D6/695.6
 D776,471 S 1/2017 Mandon et al.
 D779,244 S * 2/2017 Akana D6/691.7
 9,635,931 B2 5/2017 Mandon et al.
 D790,259 S * 6/2017 Rodriguez D6/661
 D790,262 S 6/2017 Akana et al.
 D799,250 S * 10/2017 Schwalbach D6/691.2
 D799,253 S 10/2017 McGrath
 D804,229 S 12/2017 Chang et al.
 D805,171 S * 12/2017 Hrydovyy D23/343
 D810,483 S 2/2018 Akana et al.
 D812,946 S 3/2018 Chang et al.
 D815,474 S 4/2018 Modlin
 D833,789 S * 11/2018 Schwalbach D6/707.19
 D835,928 S 12/2018 Akana et al.
 D838,133 S * 1/2019 Fuller D7/339
 D841,990 S * 3/2019 Liimatainen-Jokinen D6/300
 D846,316 S * 4/2019 Mandon D6/661
 D848,591 S * 5/2019 O'Brien Wheeler D23/343
 D881,611 S * 4/2020 Nightingale D6/656.17
 2006/0267952 A1 * 11/2006 Alcorn A63F 13/2145
 345/173
 2009/0095204 A1 4/2009 Levy et al.
 2010/0290215 A1 11/2010 Metcalf et al.
 2014/0124641 A1 5/2014 Kassanoff et al.
 2015/0150370 A1 6/2015 Korb et al.
 2016/0064995 A1 3/2016 Schwalbach et al.

OTHER PUBLICATIONS

“Manchester Wood: American Made Furniture Glass Top Display Table.” Found online Sep. 10, 2020 at www.amazon.co.uk. Product first available Jun. 5, 2014. Retrieved from URL: <https://www.amazon.co.uk/Manchester-Wood-American-Furniture-Display/dp/B00GA9VYF0> (Year: 2014).*

“Stigler’s Woodworks—Occasional Tables—Coffee Tables.” Found online Sep. 10, 2020 at www.stiglerswoodworks.com. Page archived Jul. 28, 2016. Retrieved from URL: <https://web.archive.org/web/20160728032610/https://www.stiglerswoodworks.com/page/coffee-tables> (Year: 2016).*

Apple Granted 8 Design Patents for All-New Apple Watch Tables [online]. Patently Apple, Nov. 28, 2015 [retrieved on Aug. 15, 2016]. Retrieved from the Internet: <<http://www.patentlyapple.com/patently-apple/2015/11/apple-granted-8-design-patents-for-all-new-apple-watch-tables.html>>.

Neil Hughes, “Apple retail stores ‘bulging at the seams’ at 8400 average square feet,” [Appleinsider.com](http://appleinsider.com), dated May 8, 2012, accessed at <http://appleinsider.com/articles/12/05/08/apple_retail_stores_bulging_at_the_seams_at_8400_average_square_feet>, accessed on Oct. 10, 2014, 2 pages.

Valentina Palladino, “Apple Store Receives Trademark for ‘Distinctive Design and Layout,’” [Wired.com](http://www.wired.com), dated Jan. 30, 2013, accessed at <<http://www.wired.com/2013/01/apple-store-trademark/>>, accessed on Oct. 10, 2014, 2 pages.

* cited by examiner

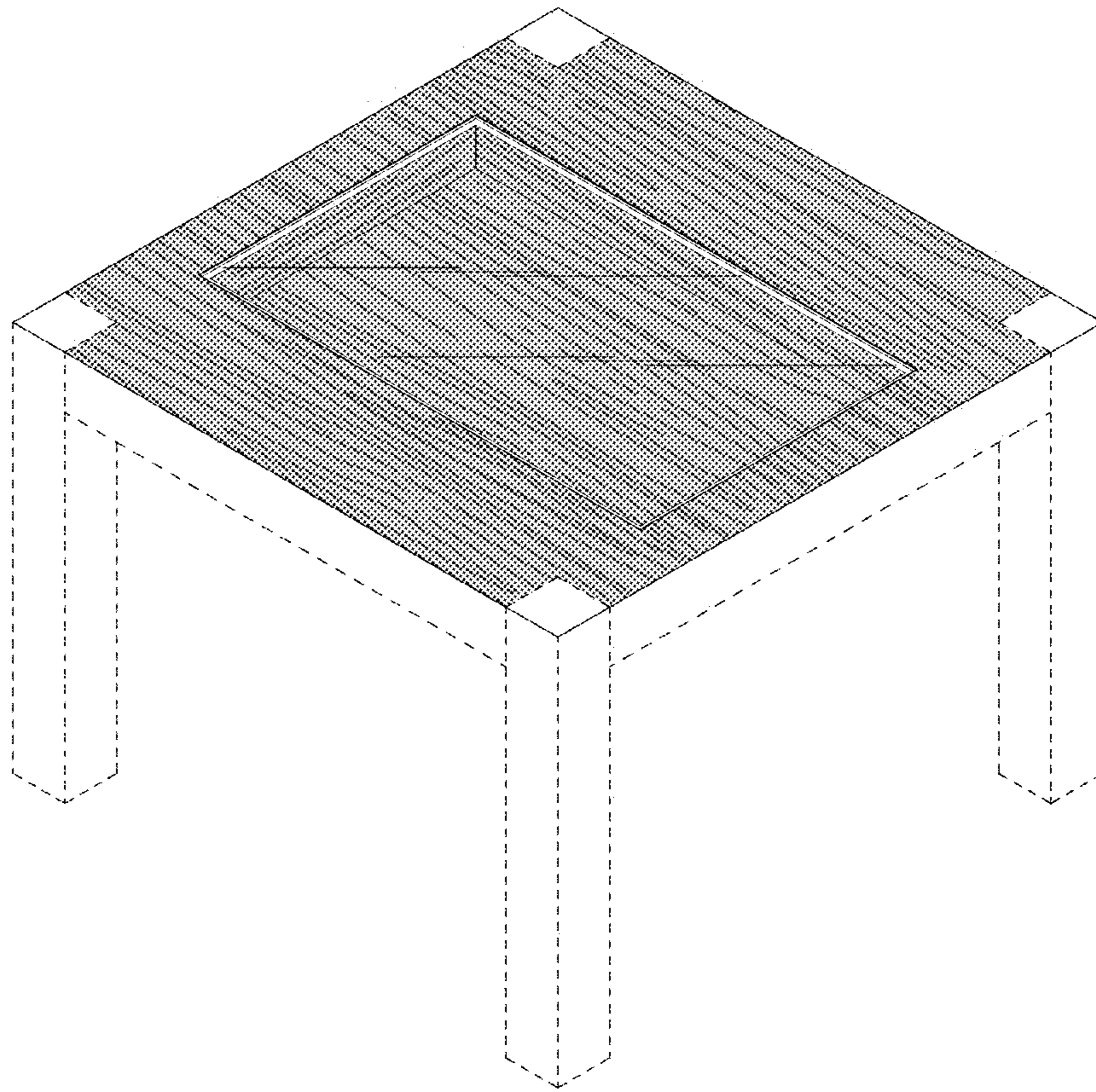


FIG. 1

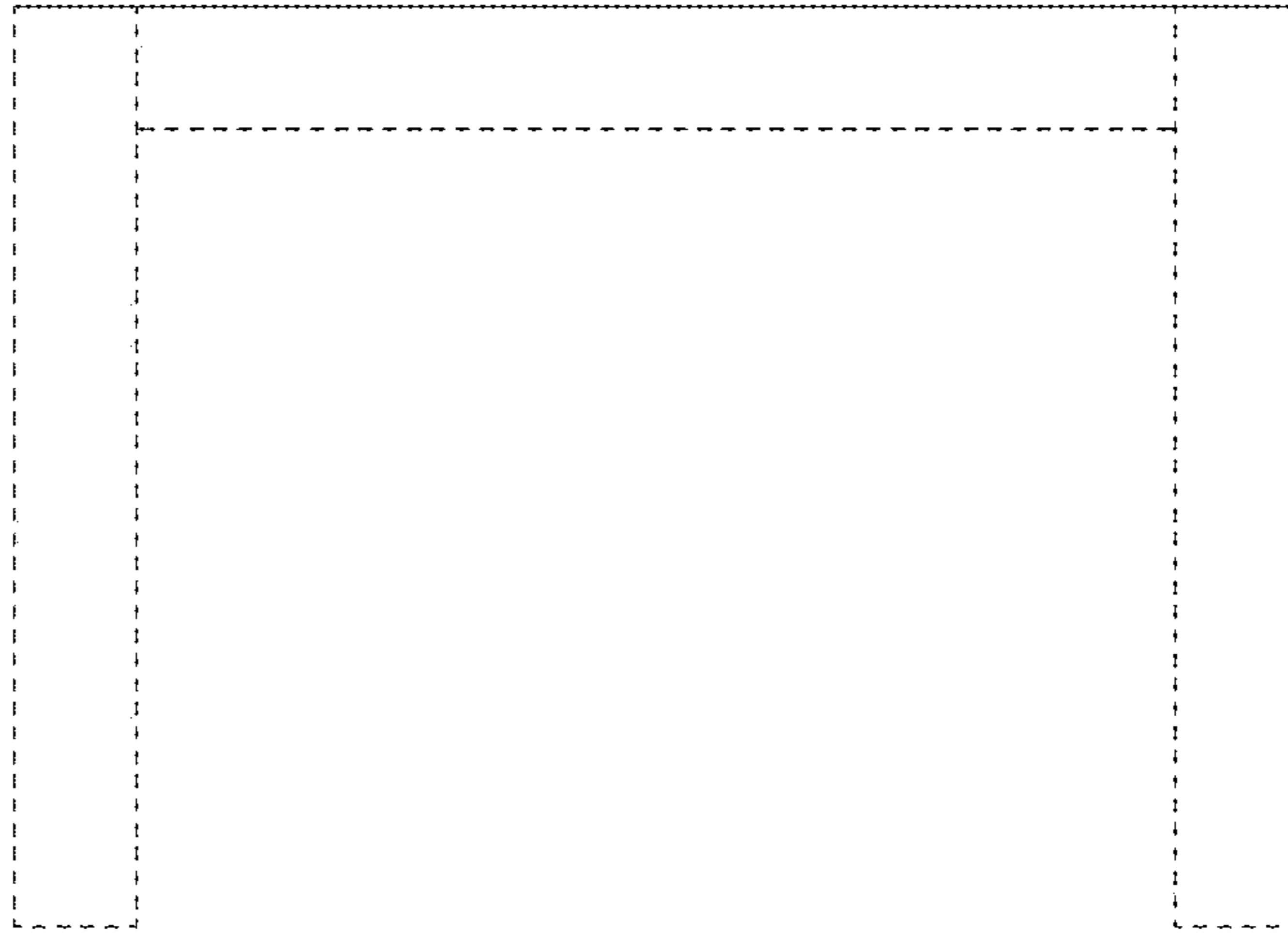


FIG. 2

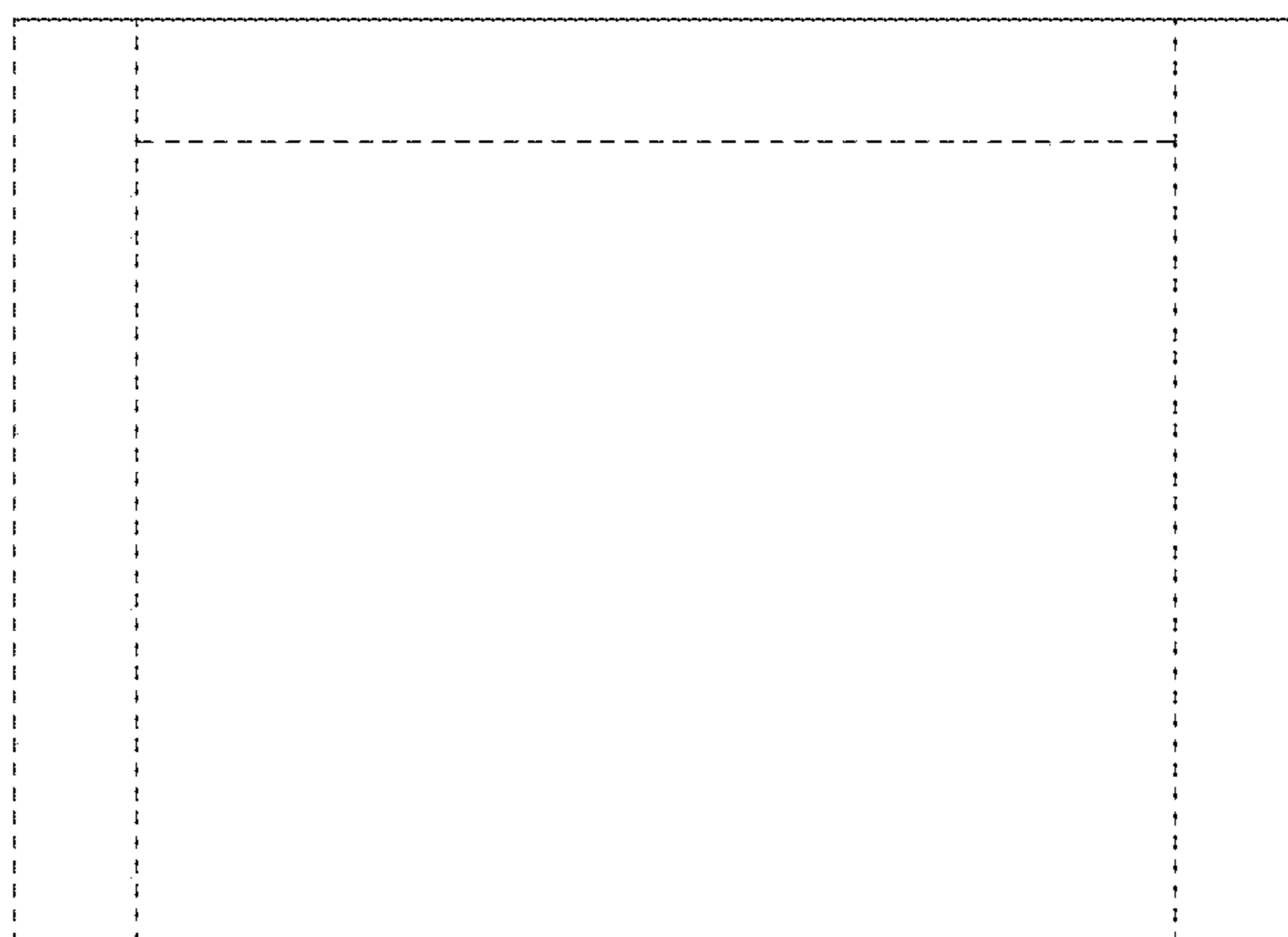


FIG. 3



FIG. 4



FIG. 5

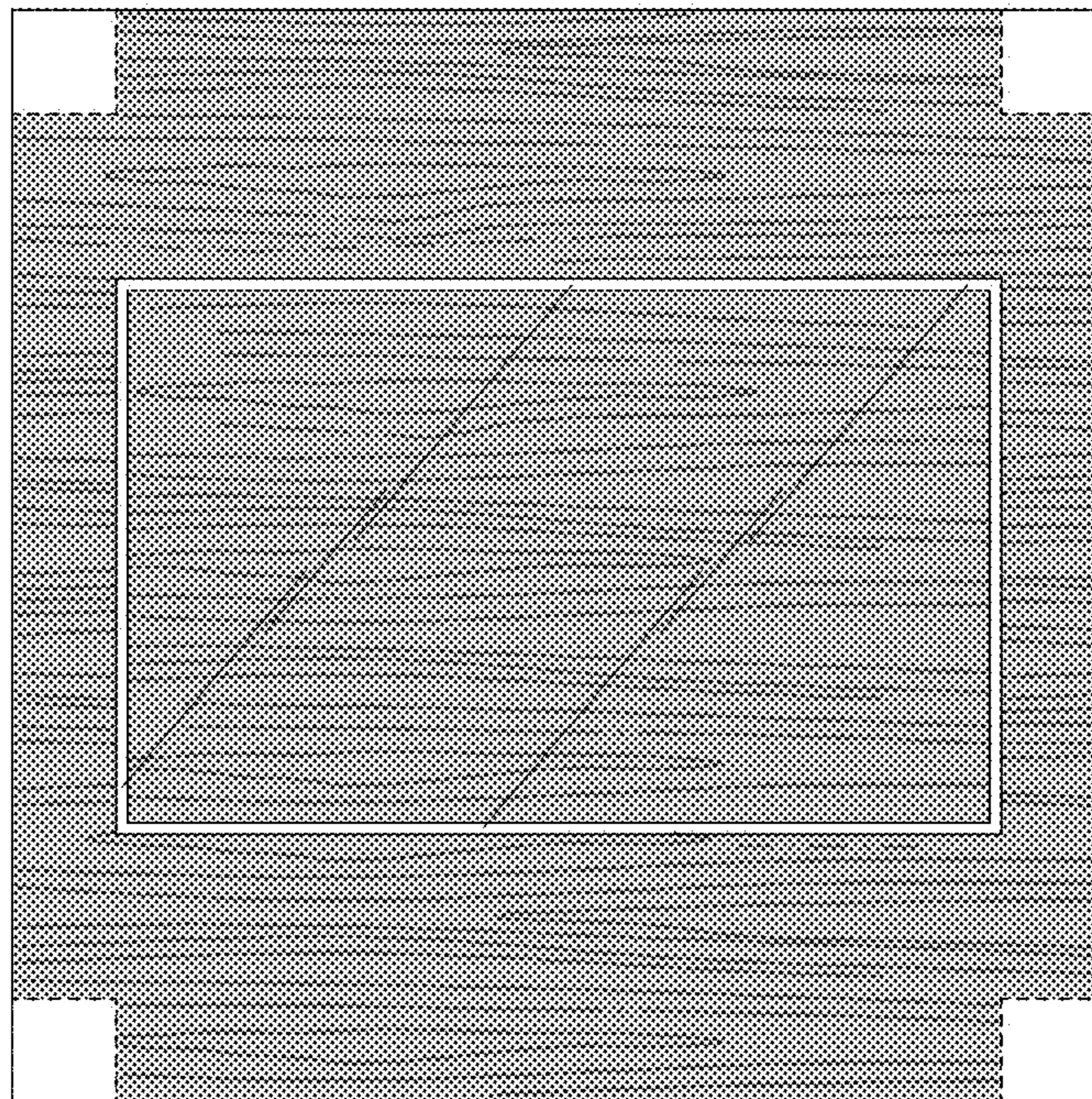


FIG. 6