



US00D913730S

(12) **United States Design Patent** (10) **Patent No.:** **US D913,730 S**
Abloh (45) **Date of Patent:** **** Mar. 23, 2021**

(54) **DISPLAY CASE**
(71) Applicant: **Virgil Abloh**, New York, NY (US)
(72) Inventor: **Virgil Abloh**, New York, NY (US)
(**) Term: **15 Years**
(21) Appl. No.: **29/702,649**
(22) Filed: **Aug. 21, 2019**
(51) **LOC (13) Cl.** **20-02**
(52) **U.S. Cl.**
USPC **D6/672**
(58) **Field of Classification Search**
USPC D6/300, 672, 675, 682, 682.1; D19/86,
D19/90, 91
CPC G09F 1/12; G09F 3/16; G09F 7/18; G09F
3/0382; A47G 1/06; A47G 1/0638; A47G
1/14; A47G 1/141
See application file for complete search history.

D400,578 S * 11/1998 Takemura D19/26
D407,119 S * 3/1999 Kwan D20/21
D418,875 S * 1/2000 Paik D19/86
D418,984 S * 1/2000 Koconis D6/300
D461,319 S * 8/2002 Jackson D6/310
D473,721 S * 4/2003 Chu D6/314
D476,818 S * 7/2003 Stravitz D6/300
D477,300 S * 7/2003 Goodwin D14/168
6,619,805 B1 * 9/2003 Roth G02B 7/181
132/291
D501,327 S * 2/2005 Keigley D6/300
D517,329 S * 3/2006 Ortiz D6/300
D518,300 S * 4/2006 Dele-Ogunrinde D6/301
D552,357 S * 10/2007 Fu D10/2
D581,987 S * 12/2008 Maier-Hunke D20/42
D613,338 S * 4/2010 Marukos D20/10
D622,067 S * 8/2010 McDonough D6/300
D646,901 S * 10/2011 Higgins D6/300
8,046,945 B2 * 11/2011 Radcliffe A47G 1/06
40/737

(Continued)

Primary Examiner — Steven J Czyz
(74) *Attorney, Agent, or Firm* — Epstein Drangel LLP;
Robert L. Epstein

(56) **References Cited**
U.S. PATENT DOCUMENTS

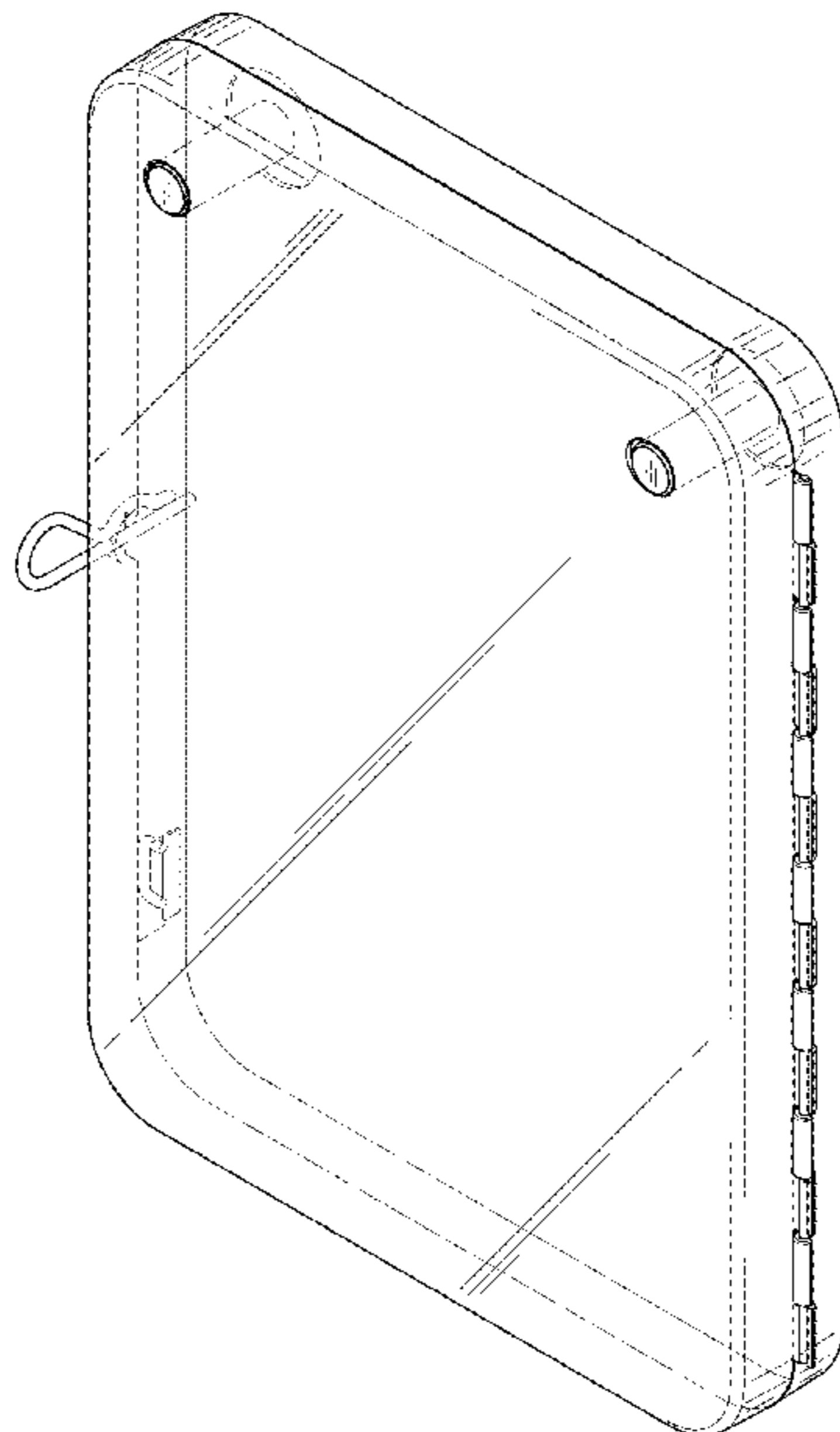
D239,980 S * 5/1976 Parson et al. D6/300
4,161,834 A * 7/1979 Hendricks, Jr. G09F 15/0006
40/606.09
D277,388 S * 1/1985 Ackeret D6/300
D304,985 S * 12/1989 Raptis D6/553
D316,188 S * 4/1991 Connor D6/300
D335,394 S * 5/1993 Chamlian D6/300
D344,188 S * 2/1994 Dominguez D6/303
D367,560 S * 3/1996 Kwan D30/101
D370,355 S * 6/1996 Kenney D6/310
5,586,401 A * 12/1996 Sheehan G09F 1/12
40/737
D388,077 S * 12/1997 Starck D11/132
D389,323 S * 1/1998 Buchert D6/300
D392,112 S * 3/1998 Cynkar D6/300
D394,959 S * 6/1998 Kwan D6/300
D396,562 S * 8/1998 Kenney D6/300

(57) **CLAIM**
The ornamental design for a display case, substantially as
shown and described.

DESCRIPTION

FIG. 1 is a front perspective view of a display case;
FIG. 2 is a rear perspective view thereof;
FIG. 3 is a front elevation view thereof;
FIG. 4 is a rear elevation view thereof;
FIG. 5 is a left side elevation view of thereof;
FIG. 6 is a right elevation view thereof;
FIG. 7 is a top plan view thereof;
FIG. 8 is a bottom plan view thereof; and,
FIG. 9 is an exploded perspective view of the display case,
shown with fasteners detached.

1 Claim, 7 Drawing Sheets



(56)

References Cited

U.S. PATENT DOCUMENTS

D661,498 S * 6/2012 Wang G09F 7/20
D6/312
D723,103 S * 2/2015 Bevan D19/86
RE45,843 E * 1/2016 Kroll D6/674
D800,835 S * 10/2017 Ballard D19/86
D829,449 S * 10/2018 Orsi D6/300
10,144,197 B2 * 12/2018 Lee B44C 5/005
D846,891 S * 4/2019 Doherty D6/310
D853,486 S * 7/2019 Racine D19/86
10,433,661 B2 * 10/2019 Hsu A47G 1/06
D866,988 S * 11/2019 Shaffer D6/300
2010/0282924 A1 * 11/2010 Boies A47B 23/042
248/163.1
2016/0223126 A1 * 8/2016 Mireles F16G 13/00

* cited by examiner

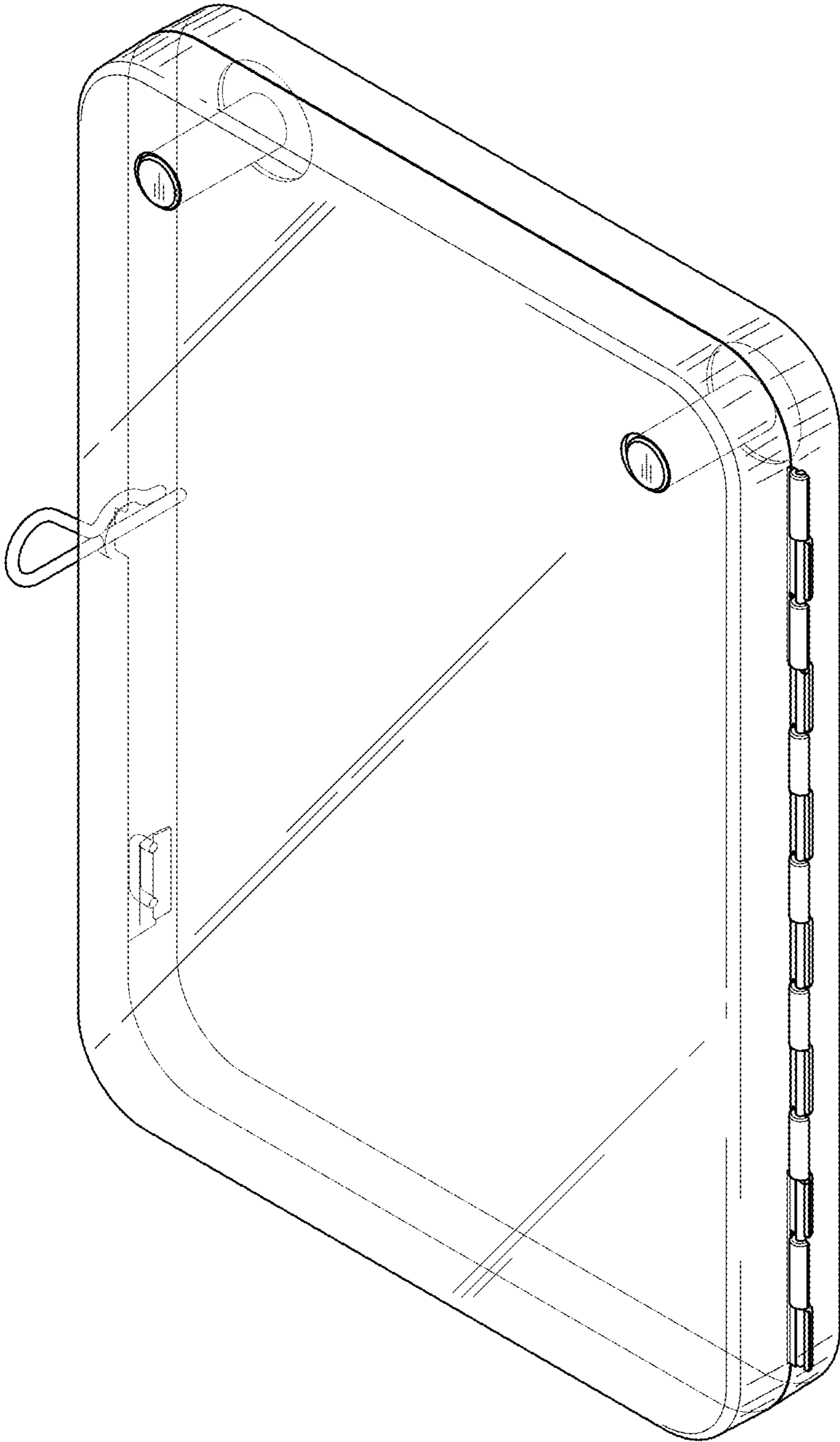


FIG. 1

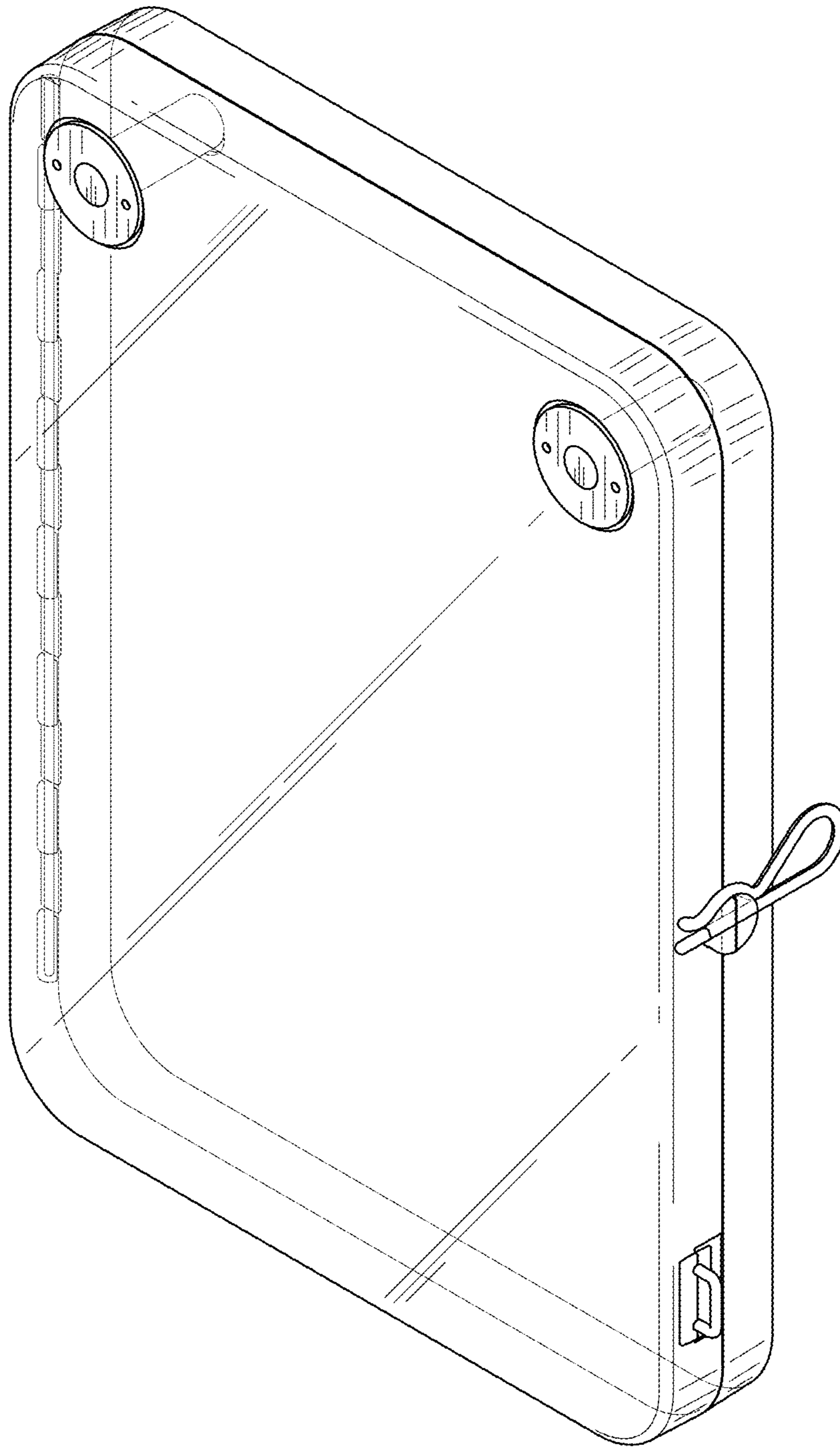


FIG. 2

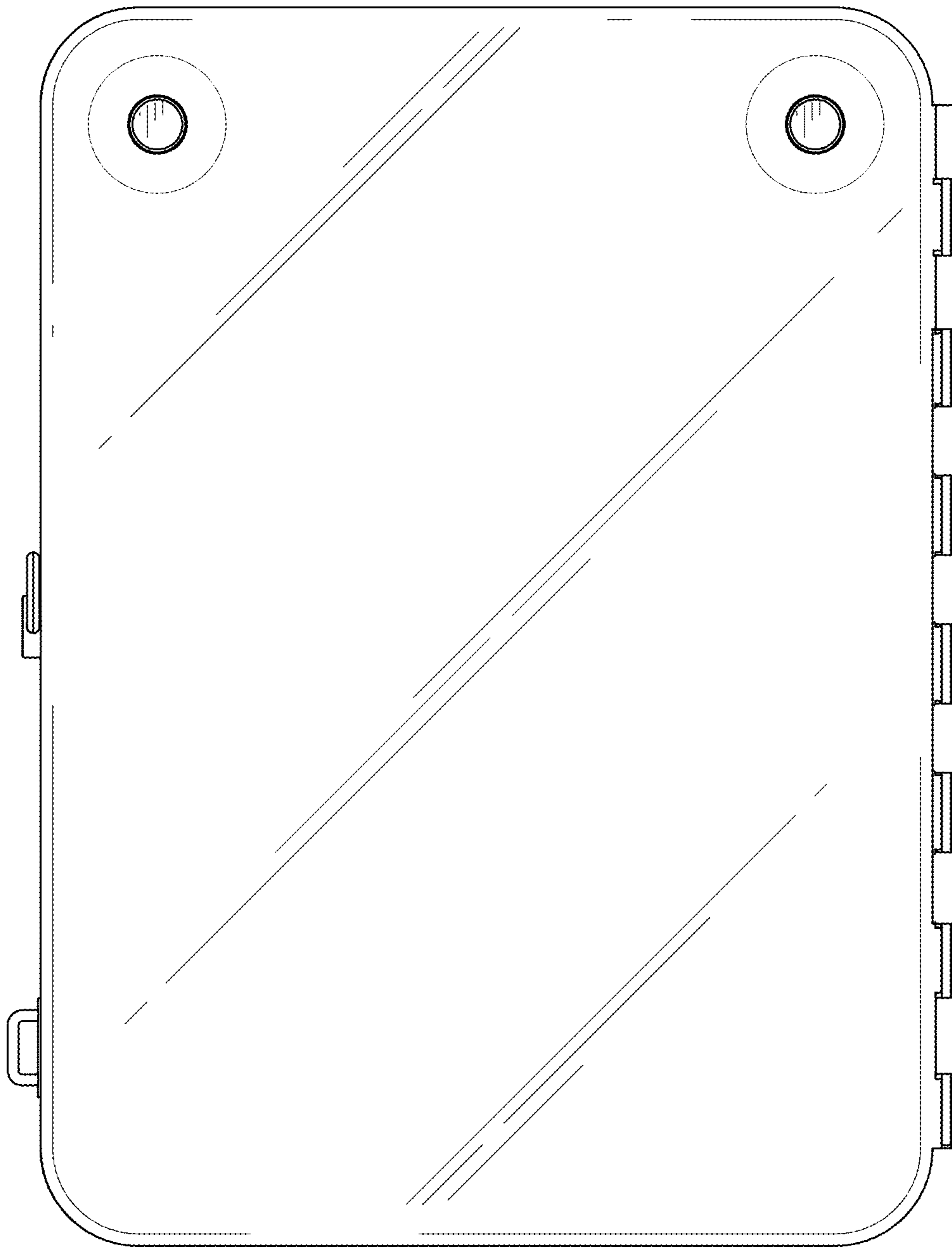


FIG. 3

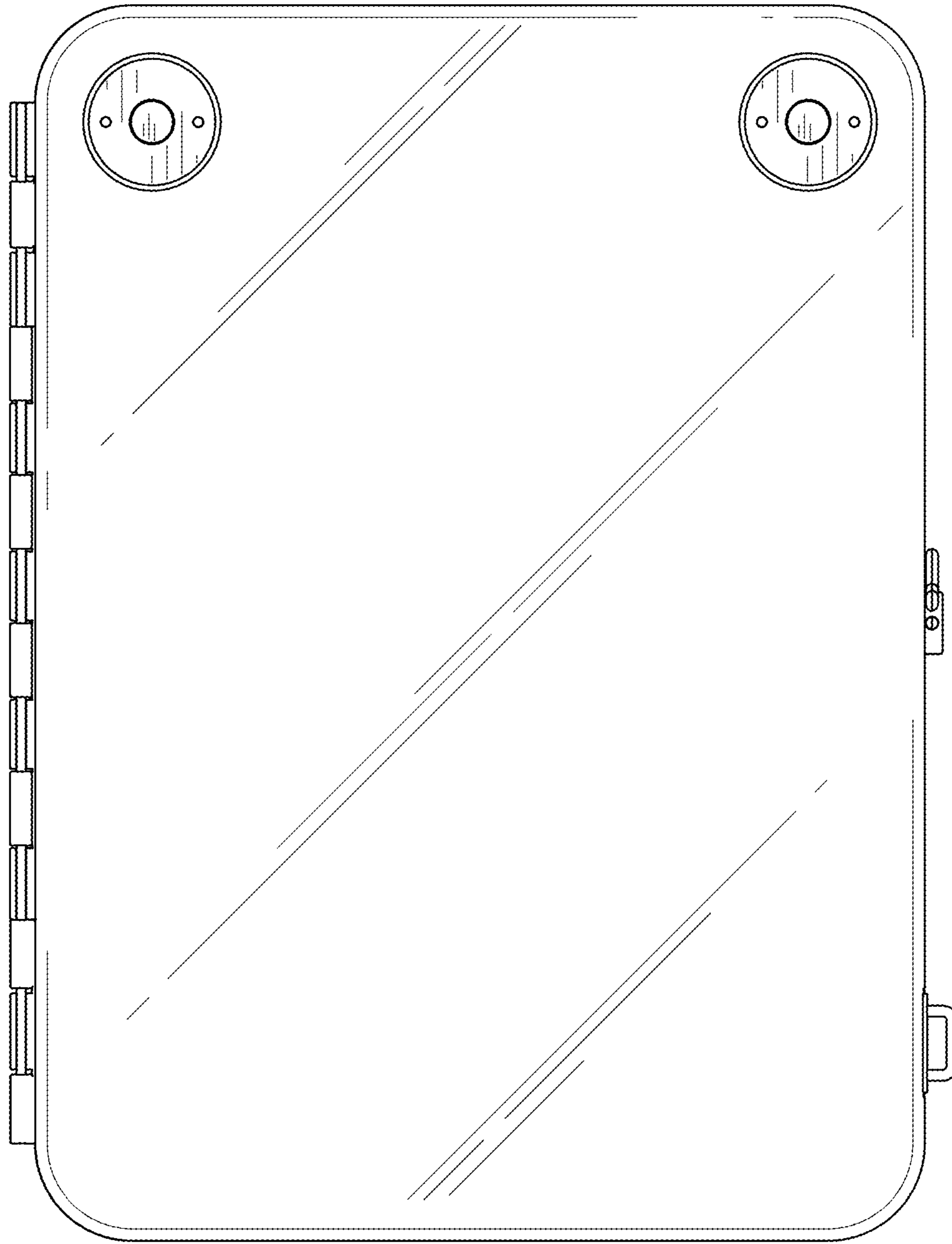


FIG. 4

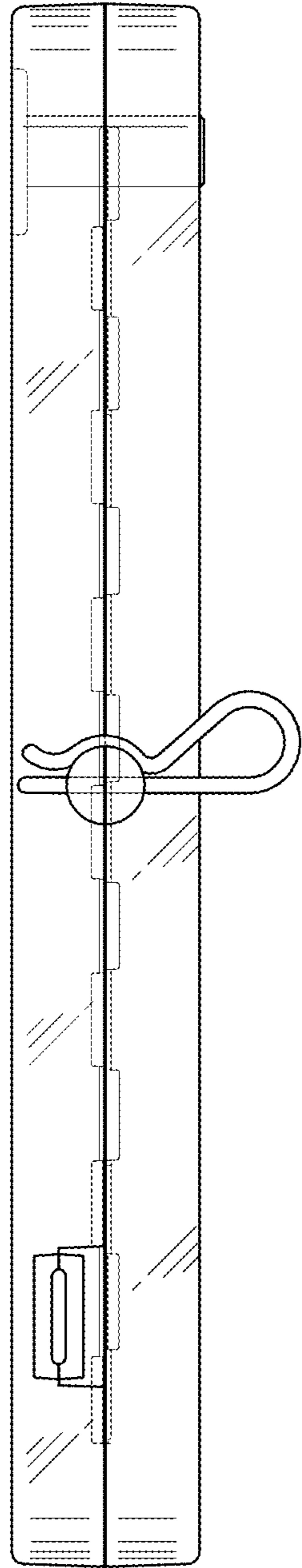


FIG. 5

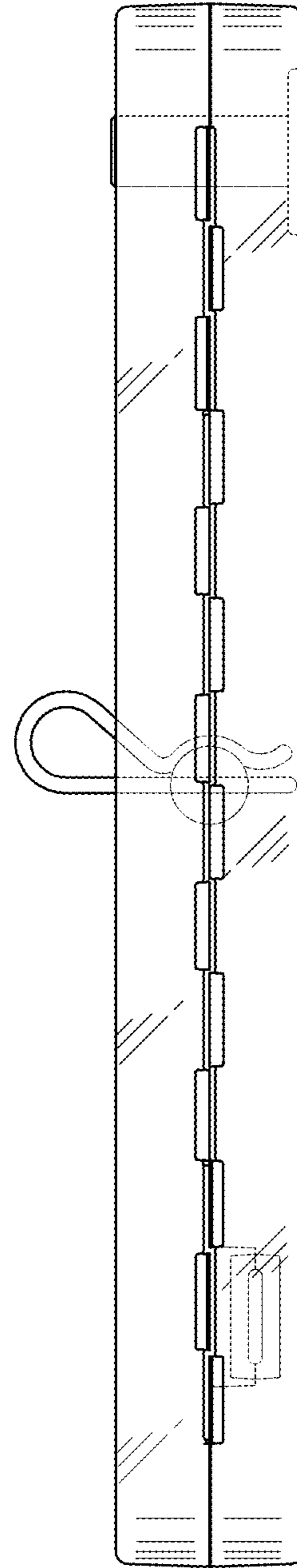


FIG. 6

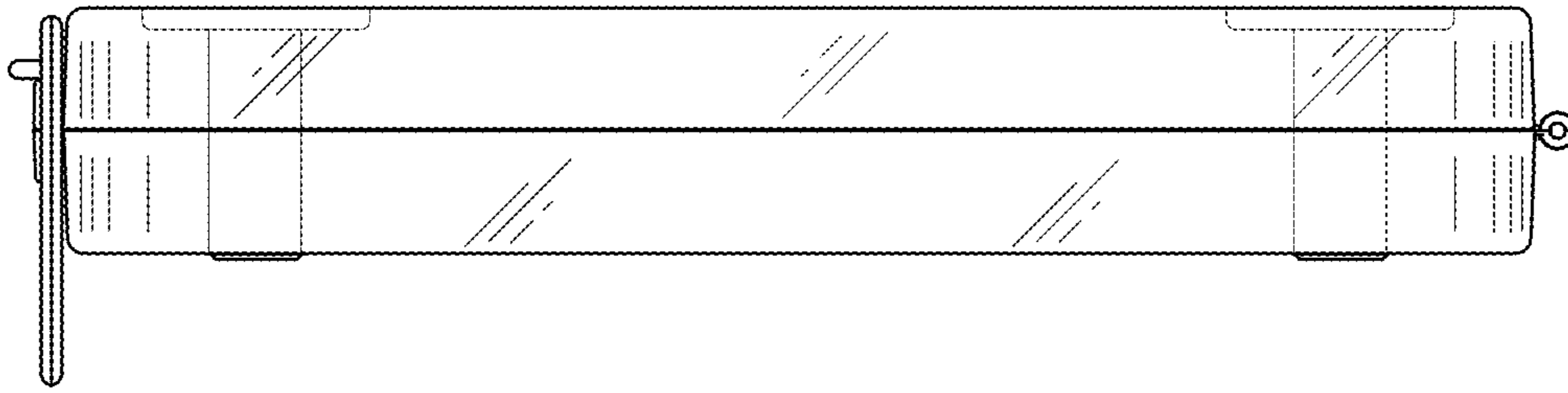


FIG. 7

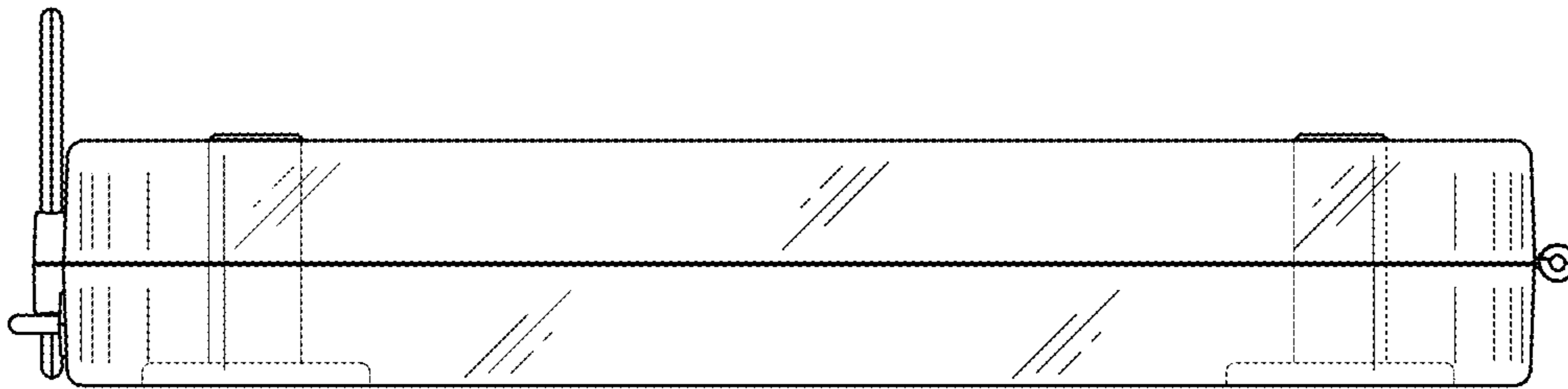


FIG. 8

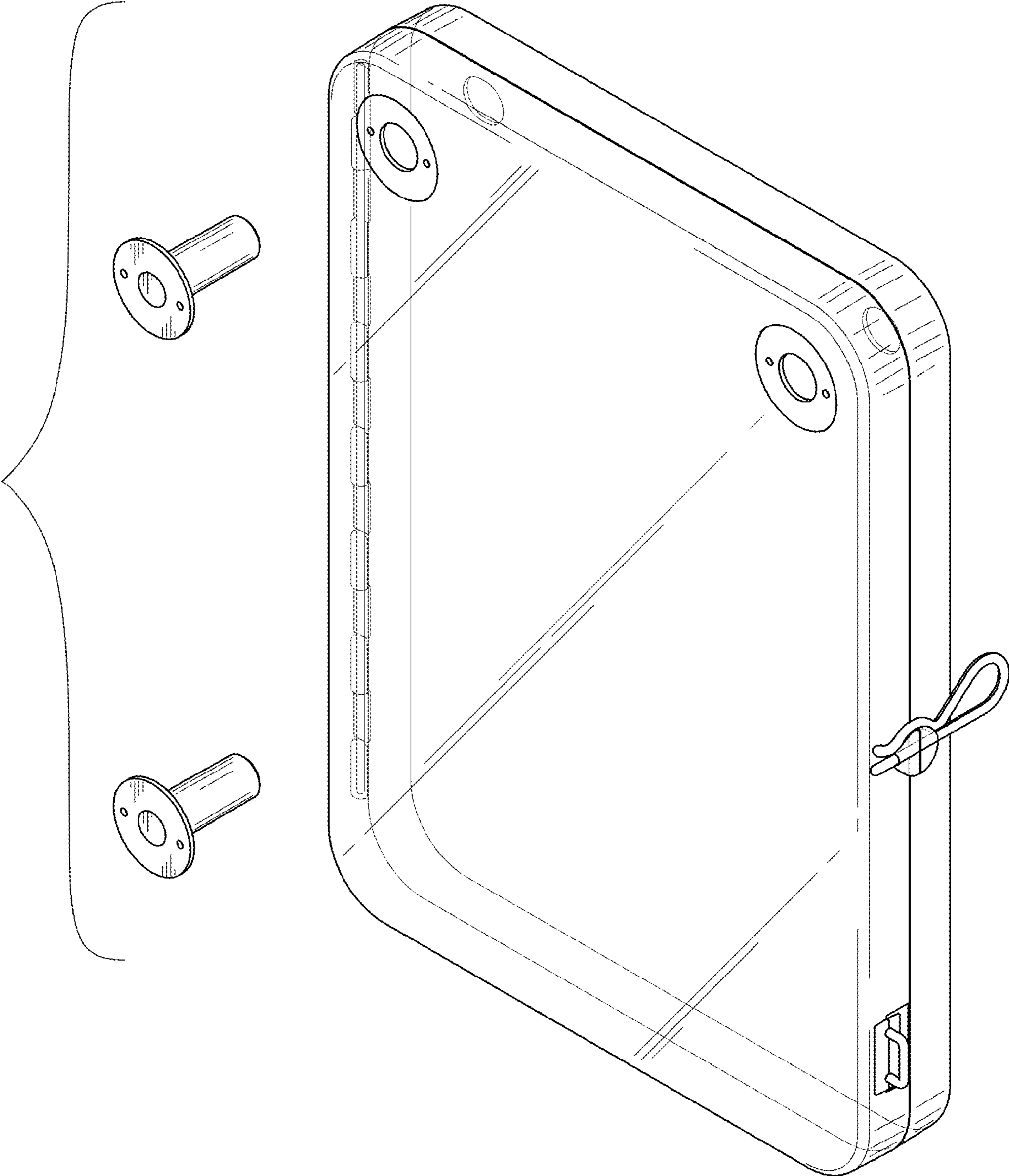


FIG. 9