



US00D913728S

(12) **United States Design Patent** (10) **Patent No.:** **US D913,728 S**  
**Mandon et al.** (45) **Date of Patent:** **\*\* Mar. 23, 2021**

(54) **CREDENZA**

(71) Applicant: **Apple Inc.**, Cupertino, CA (US)

(72) Inventors: **Kully Kraig Mandon**, San Francisco, CA (US); **Christopher M. Green**, Woodside, CA (US); **Jonathan P. Siegel**, San Francisco, CA (US); **Jody Akana**, San Francisco, CA (US); **Bartley K. Andre**, Palo Alto, CA (US); **Shota Aoyagi**, San Francisco, CA (US); **Anthony Michael Ashcroft**, San Francisco, CA (US); **Jeremy Bataillou**, San Francisco, CA (US); **Daniel J. Coster**, San Francisco, CA (US); **Daniele De Iuliis**, San Francisco, CA (US); **M. Evans Hankey**, San Francisco, CA (US); **Julian Hoenig**, San Francisco, CA (US); **Richard P. Howarth**, San Francisco, CA (US); **Jonathan P. Ive**, San Francisco, CA (US); **Duncan Robert Kerr**, San Francisco, CA (US); **Matthew Dean Rohrbach**, San Francisco, CA (US); **Peter Russell-Clarke**, San Francisco, CA (US); **Benjamin Andrew Shaffer**, San Jose, CA (US); **Mikael Silvano**, San Francisco, CA (US); **Christopher J. Stringer**, Woodside, CA (US); **Eugene Antony Whang**, San Francisco, CA (US); **Rico Zörkendörfer**, San Francisco, CA (US)

(73) Assignee: **Apple Inc.**, Cupertino, CA (US)

(\*\*) Term: **15 Years**

(21) Appl. No.: **29/685,929**

(22) Filed: **Apr. 1, 2019**

**Related U.S. Application Data**

(63) Continuation of application No. 29/590,454, filed on Jan. 10, 2017, now Pat. No. Des. 846,316, which is a  
(Continued)

(51) **LOC (13) Cl.** ..... **06-04**

(52) **U.S. Cl.**  
USPC ..... **D6/661**

(58) **Field of Classification Search**  
USPC ..... D6/657, 659-661, 662, 663, 671, 671.1, D6/694, 694.1, 694.2

(Continued)

(56) **References Cited**

**U.S. PATENT DOCUMENTS**

D197,321 S 1/1964 Jones  
3,289,616 A 12/1966 Donihi  
(Continued)

**FOREIGN PATENT DOCUMENTS**

JP 1488695 S 1/2014  
JP 1537517 S 11/2015  
(Continued)

**OTHER PUBLICATIONS**

Neil Hughes, "Apple retail stores 'bulging at the seams' at 8400 average square feet," Appleinsider.com, dated May 8, 2012, accessed at <[http://appleinsider.com/articles/12/05/08/apple\\_retail\\_stores\\_bulging\\_at\\_the\\_seams\\_at\\_8400\\_average\\_square\\_feet](http://appleinsider.com/articles/12/05/08/apple_retail_stores_bulging_at_the_seams_at_8400_average_square_feet)>, accessed on Oct. 20, 2014, 2 pages.

(Continued)

*Primary Examiner* — Mary Ann Calabrese

(74) *Attorney, Agent, or Firm* — Sterne, Kessler, Goldstein & Fox P.L.L.C.

(57) **CLAIM**

The ornamental design for a credenza table, as shown and described.

**DESCRIPTION**

FIG. 1 is a top front perspective view of a credenza showing the claimed new design;  
FIG. 2 is a top rear perspective view thereof;  
FIG. 3 is a front view thereof;  
FIG. 4 is a rear view thereof;

(Continued)

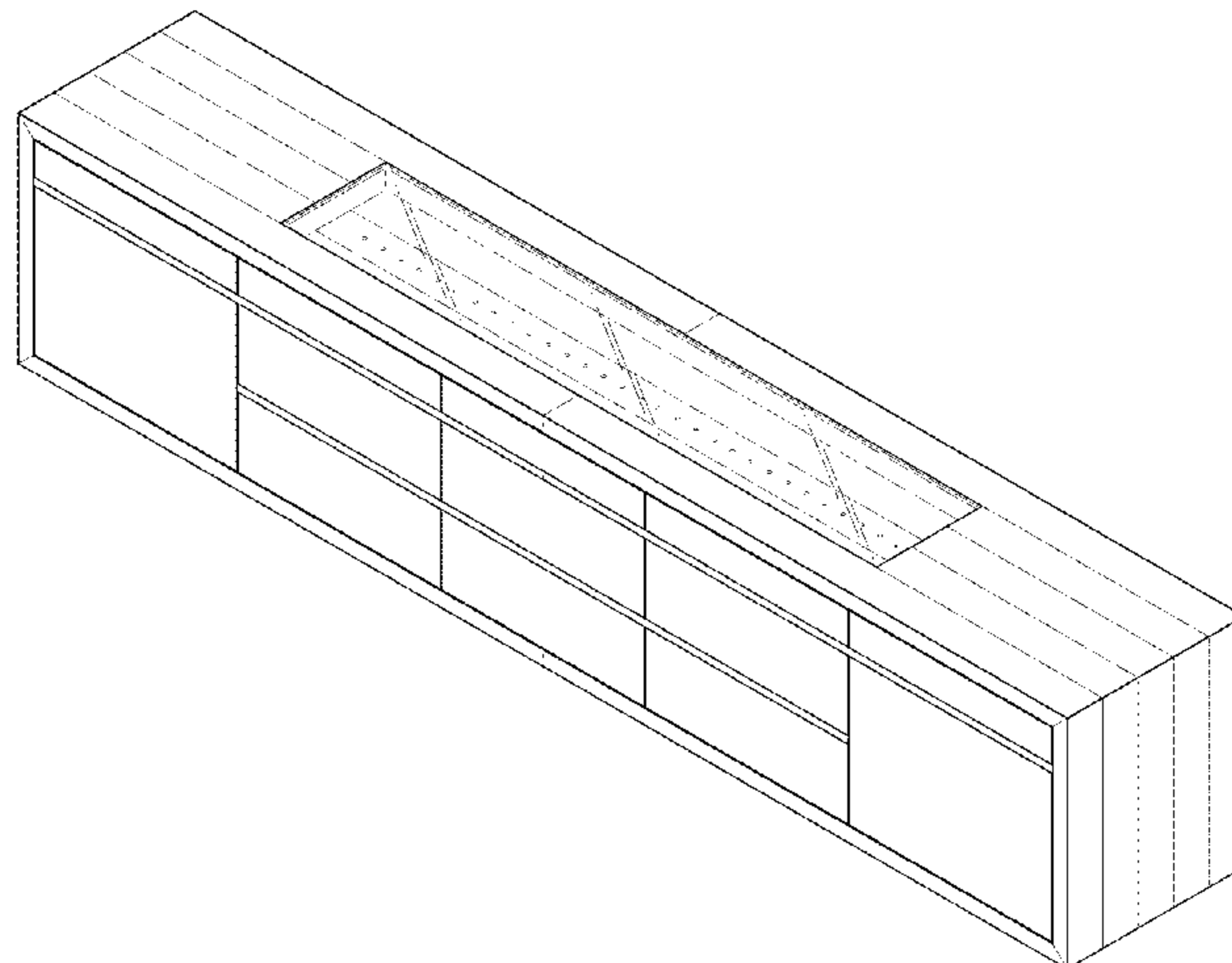


FIG. 5 is a left side view thereof;  
 FIG. 6 is a right view thereof; and,  
 FIG. 7 is a top view thereof.

**1 Claim, 4 Drawing Sheets**

**Related U.S. Application Data**

continuation of application No. 29/522,911, filed on  
 Apr. 3, 2015, now Pat. No. Des. 776,471.

(58) **Field of Classification Search**

CPC .. A47F 3/00; A47F 3/005; A47F 3/007; A47F  
 3/0404; A47F 3/0426; A47F 3/043; A47F  
 3/0434

See application file for complete search history.

(56) **References Cited**

U.S. PATENT DOCUMENTS

D238,335 S *	1/1976	Ocko et al. ....	D6/661
D245,135 S	7/1977	Saltz et al.	
D247,079 S *	1/1978	Otema .....	D6/661
D267,532 S	1/1983	Platner	
D301,290 S *	5/1989	Otema .....	D6/661
D456,643 S	5/2002	Harner	
D502,617 S	3/2005	Chang	
D522,274 S	6/2006	Coval	
D523,261 S	6/2006	Ferrer Beltrán	
D591,079 S	4/2009	Singler et al.	
D591,979 S	5/2009	Singler et al.	
7,926,430 B2	4/2011	Bakker et al.	
D657,978 S	4/2012	Hamm et al.	
D659,433 S	5/2012	Starck	
D678,696 S	3/2013	Hamm et al.	
D679,521 S	4/2013	Hamm et al.	
D688,494 S	8/2013	Hamm et al.	
D690,142 S	9/2013	Arko et al.	
D693,156 S	11/2013	Hamm et al.	
D713,658 S	9/2014	Tio et al.	
D725,947 S	4/2015	Tio et al.	
D728,281 S	5/2015	Heirakuji et al.	

D728,975 S	5/2015	Park et al.	
D753,419 S	4/2016	Heirakuji et al.	
D766,630 S	9/2016	Akana et al.	
D766,631 S	9/2016	Akana et al.	
D766,632 S	9/2016	Akana et al.	
D766,633 S	9/2016	Akana et al.	
D767,310 S	9/2016	Akana et al.	
D769,021 S	10/2016	Green et al.	
D769,654 S	10/2016	Akana et al.	
D773,868 S	12/2016	Schwalbach et al.	
D776,471 S	1/2017	Mandon et al.	
D815,464 S	4/2018	Caillouet	
D829,024 S	9/2018	Mejia	
D830,085 S *	10/2018	Curthelet .....	D6/671
D846,316 S *	4/2019	Mandon .....	A47F 3/005 D6/661
D870,492 S *	12/2019	Young .....	A47B 51/00 D6/657
2006/0181180 A1 *	8/2006	McCabe .....	A47F 3/005 312/114
2010/0242808 A1	9/2010	Negoro et al.	
2014/0265754 A1	9/2014	Patterson	
2015/0320203 A1	11/2015	Mandon et al.	
2016/0064995 A1	3/2016	Schwalbach et al.	
2017/0115845 A1 *	4/2017	Shin .....	G06F 3/04845
2019/0195551 A1 *	6/2019	Grant .....	A47B 51/00

FOREIGN PATENT DOCUMENTS

KR	30-0703066	7/2013
WO	WO DM/070932	4/2009

OTHER PUBLICATIONS

Valentina Palladino, "Apple Store Receives Trademark for 'Distinctive Design and Layout,'" Wired.com, dated Jan. 30, 2013, accessed at <<http://www.wired.com/2013/01/apple-store-trademark/>>, accessed on Oct. 10, 2014, 2 pages.  
 Miro Zagnoli, "Paesaggio domestico," INTERNI, Apr. 1997, p. 162, Issue 469.  
 Japanese Patent Office Document No. HA24006766, Dated by JPO Sep. 1, 2012, p. 167, JP.  
 Dinos, Japanese Patent Office Document No. HJ21062299, Dated by JPO Mar. 25, 2016, JP.

\* cited by examiner

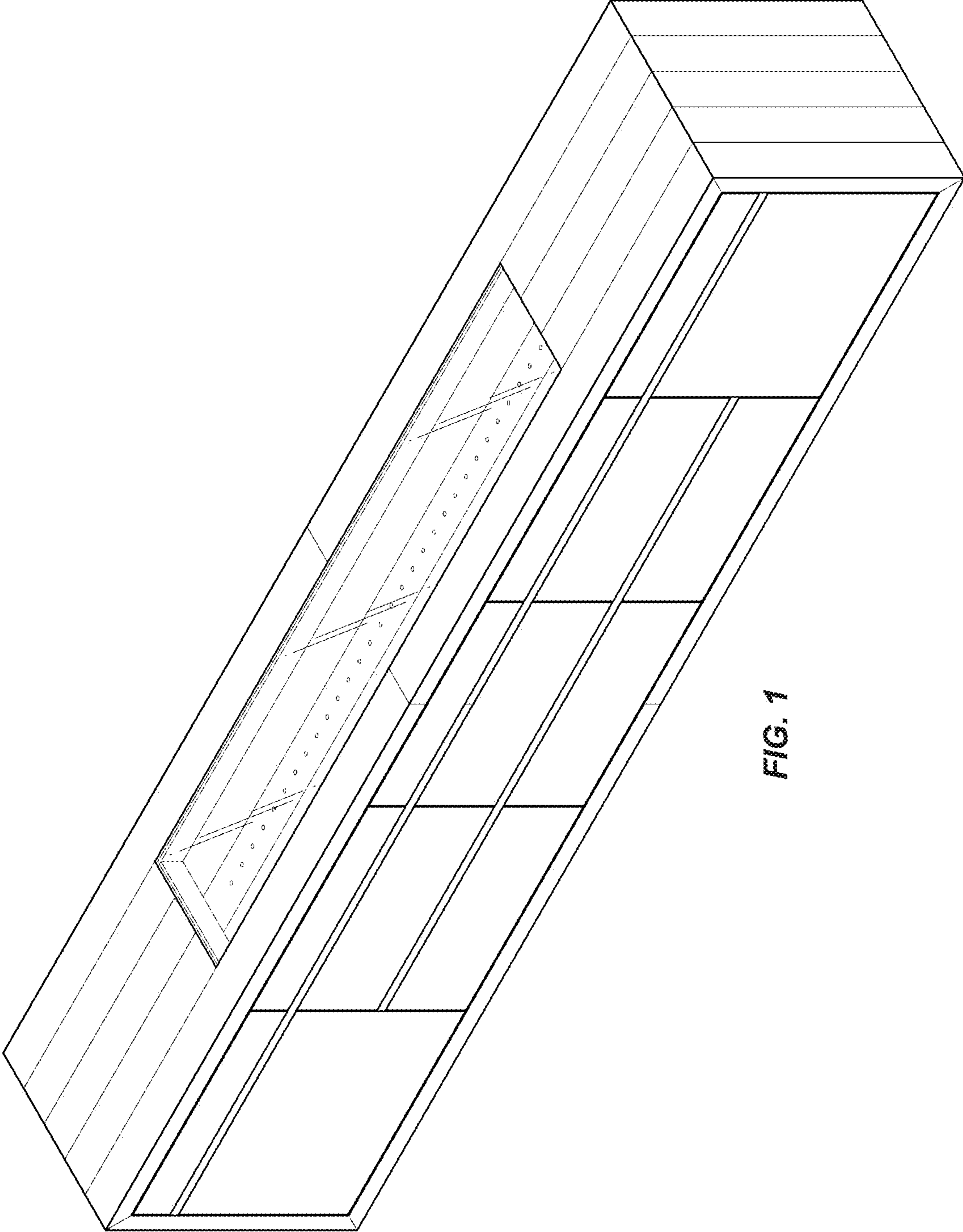


FIG. 1

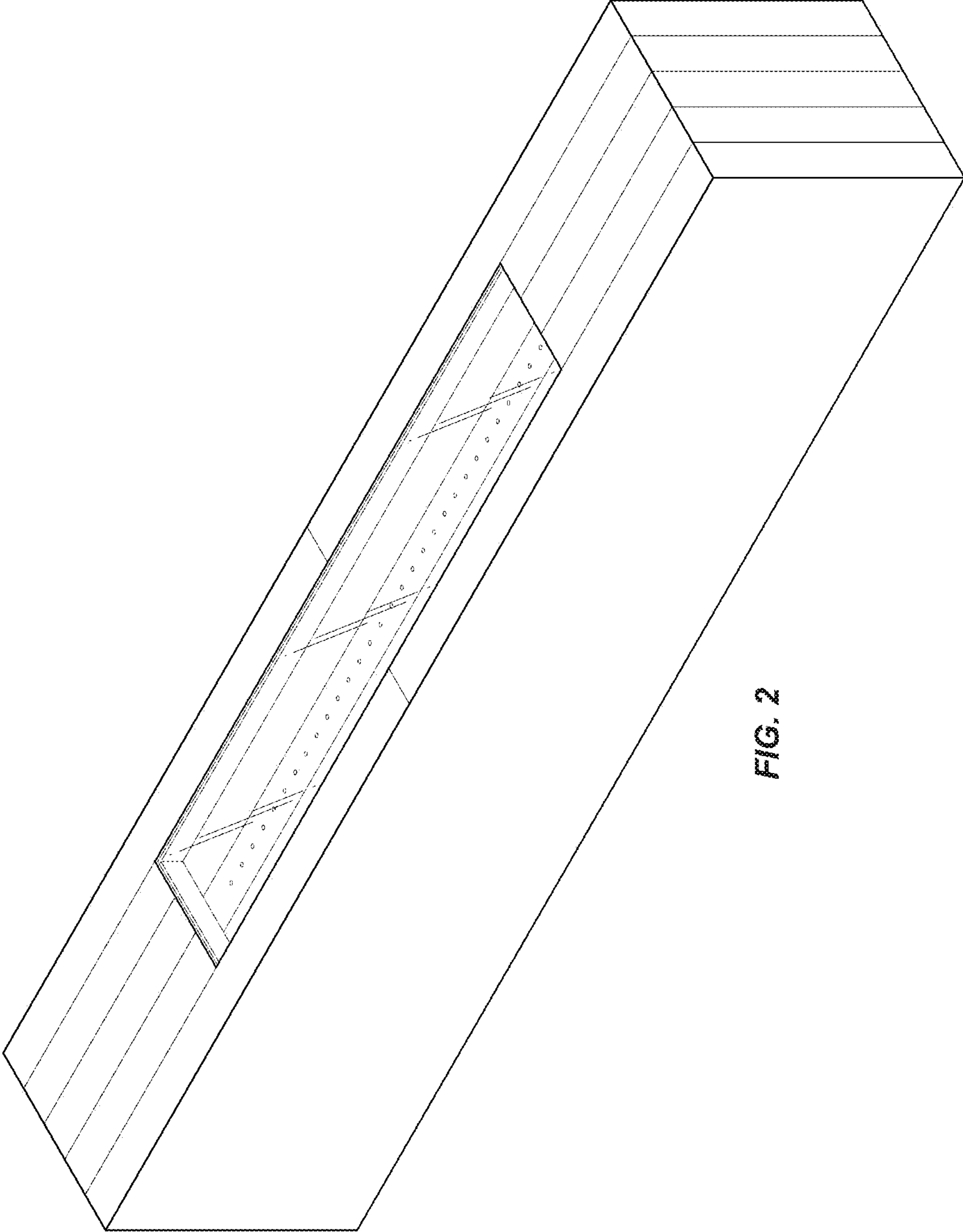


FIG. 2

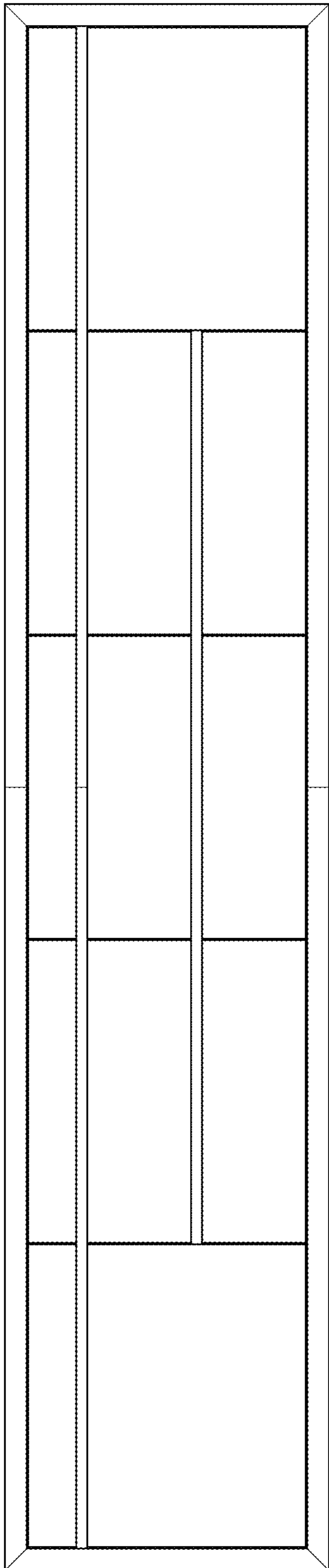


FIG. 3

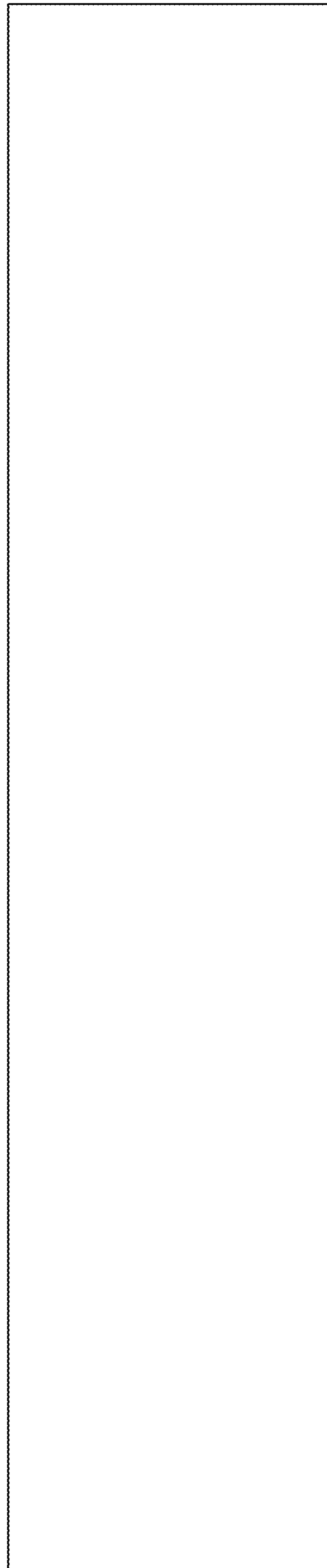


FIG. 4

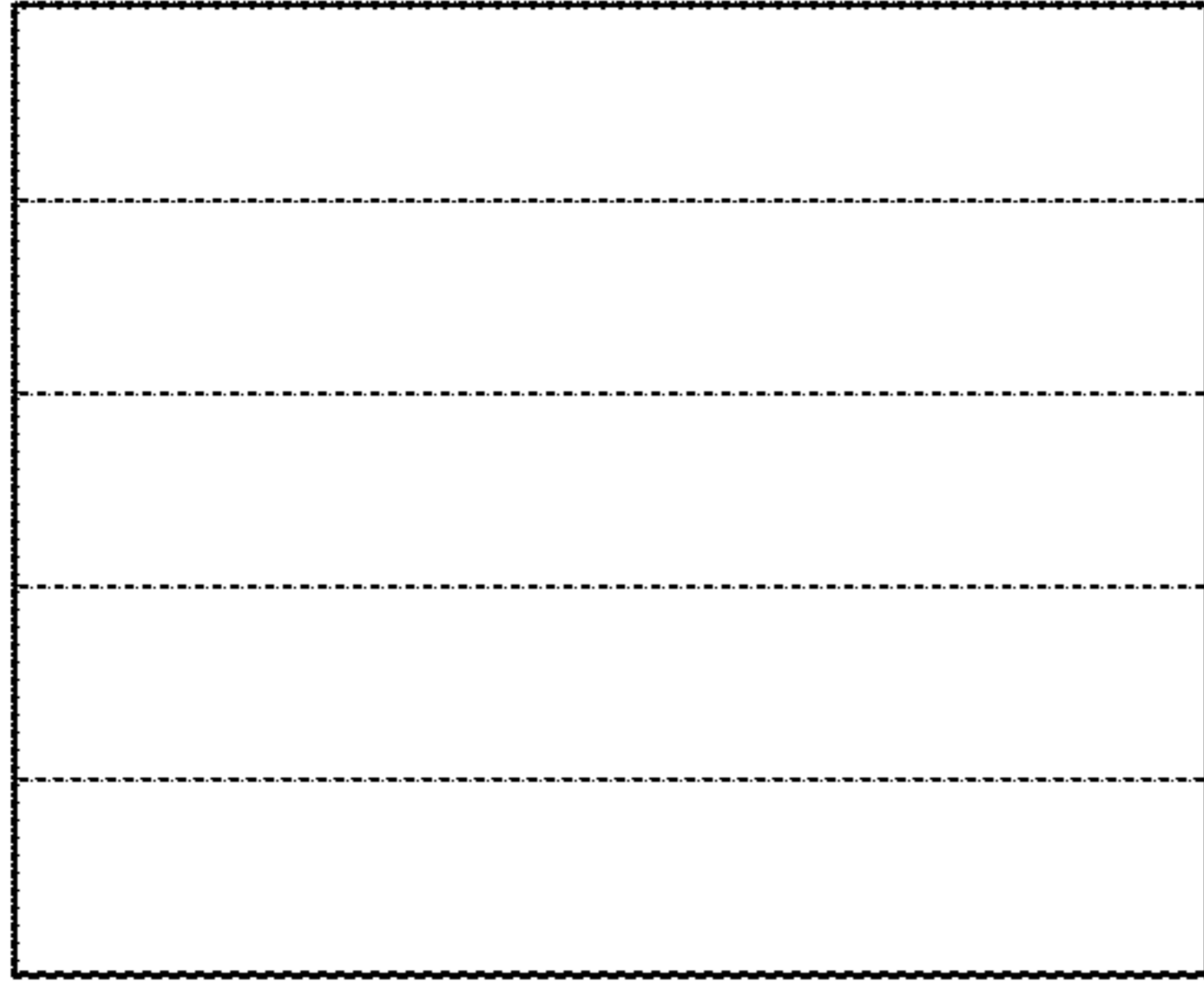


FIG. 5

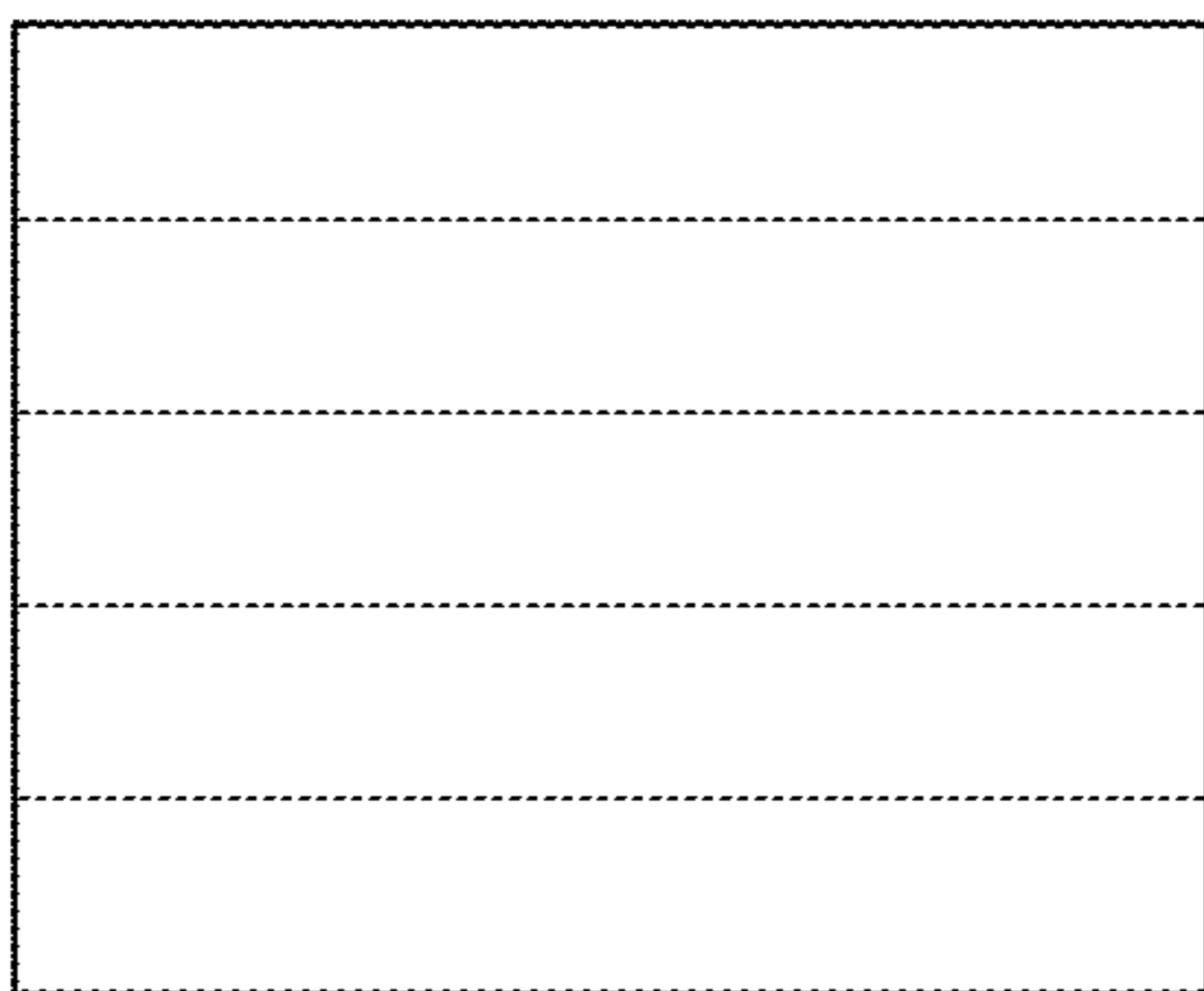


FIG. 6

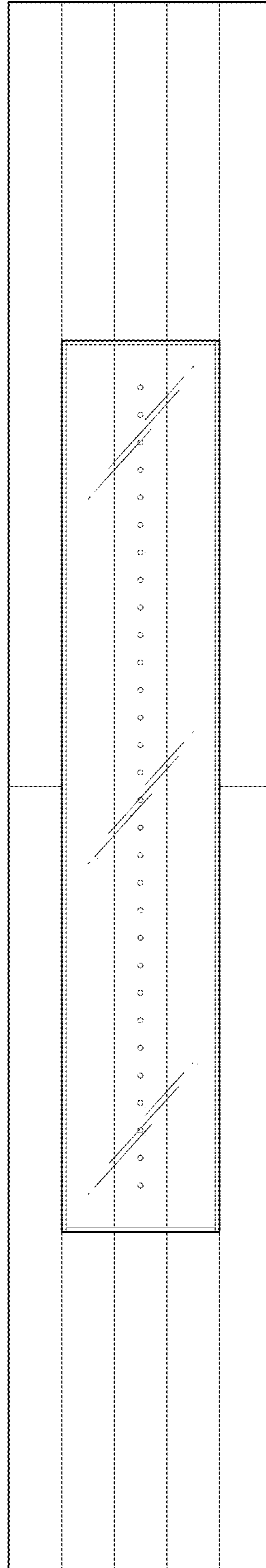


FIG. 7

UNITED STATES PATENT AND TRADEMARK OFFICE  
**CERTIFICATE OF CORRECTION**

PATENT NO. : D913,728 S  
APPLICATION NO. : 29/685929  
DATED : March 23, 2021  
INVENTOR(S) : Mandon et al.

Page 1 of 1

It is certified that error appears in the above-identified patent and that said Letters Patent is hereby corrected as shown below:

On the Title Page

In the Claims section, replace:

“The ornamental design for a credenza table, as shown and described.”

With:

--The ornamental design for a credenza, as shown and described.--

Signed and Sealed this  
Thirty-first Day of August, 2021



Drew Hirshfeld  
*Performing the Functions and Duties of the  
Under Secretary of Commerce for Intellectual Property and  
Director of the United States Patent and Trademark Office*