



US00D913727S

(12) **United States Design Patent**  
**Howell**

(10) **Patent No.:** **US D913,727 S**  
(45) **Date of Patent:** **\*\* Mar. 23, 2021**

(54) **PORTABLE DESK**

(71) Applicant: **BCB International Limited**, Cardiff  
(GB)

(72) Inventor: **Andrew Howell**, Cardiff (GB)

(73) Assignee: **BCB International Limited**, Cardiff  
(GB)

(\*\*) Term: **15 Years**

(21) Appl. No.: **29/684,363**

(22) Filed: **Mar. 20, 2019**

(30) **Foreign Application Priority Data**

Sep. 26, 2018 (EM) ..... 005659794

(51) **LOC (13) Cl.** ..... **06-03**

(52) **U.S. Cl.**  
USPC ..... **D6/655.1; D6/642**

(58) **Field of Classification Search**

USPC ... D6/640-643, 643.1, 644, 647, 655, 655.1,  
D6/663, 684-686, 691

CPC .... A47B 1/00; A47B 1/03; A47B 1/04; A47B  
1/05; A47B 3/00; A47B 3/08; A47B  
3/083; A47B 2003/008; A47B 7/00; A47B  
9/00; A47B 9/16; A47B 9/20; A47B  
2009/003; A47B 13/00; A47B 13/02;  
A47B 13/04; A47B 13/08; A47B 13/081;  
A47B 17/00; A47B 21/00; A47B 21/02;  
A47B 21/03; A47B 2200/0001; A47B  
2200/0011; A47B 2200/002; A47B  
2200/0035; A47B 2200/0046; A47B  
2200/0047; F16B 12/44

See application file for complete search history.

(56) **References Cited**

**U.S. PATENT DOCUMENTS**

147,148 A \* 2/1874 Marchand ..... A47B 1/04  
108/78  
D144,590 S \* 4/1946 Schutes ..... A47B 3/00  
D6/686

2,643,926 A \* 6/1953 Pucci ..... A47B 3/083  
108/131  
2,903,313 A \* 9/1959 Block ..... A47B 3/083  
108/35  
4,282,817 A \* 8/1981 Gutterman ..... A47B 9/00  
108/11

(Continued)

*Primary Examiner* — Mary Ann Calabrese

(74) *Attorney, Agent, or Firm* — Brian S. Boyer;  
Syndicated Law, PC

(57) **CLAIM**

I claim the ornamental design for a portable desk, as shown  
and described.

**DESCRIPTION**

FIG. 1 is a top front perspective view of a portable desk  
showing my new design;

FIG. 2 is a top rear perspective view of the portable desk of  
FIG. 1;

FIG. 3 is a bottom perspective view of the folding table top  
of the portable desk of FIG. 1 in a folded configuration,  
shown removed for clarity of disclosure;

FIG. 4 is a top front perspective view of the portable desk  
of FIG. 1, shown in an alternate configuration with the back  
panels removed;

FIG. 5 is right side elevational view of the portable desk of  
FIG. 1;

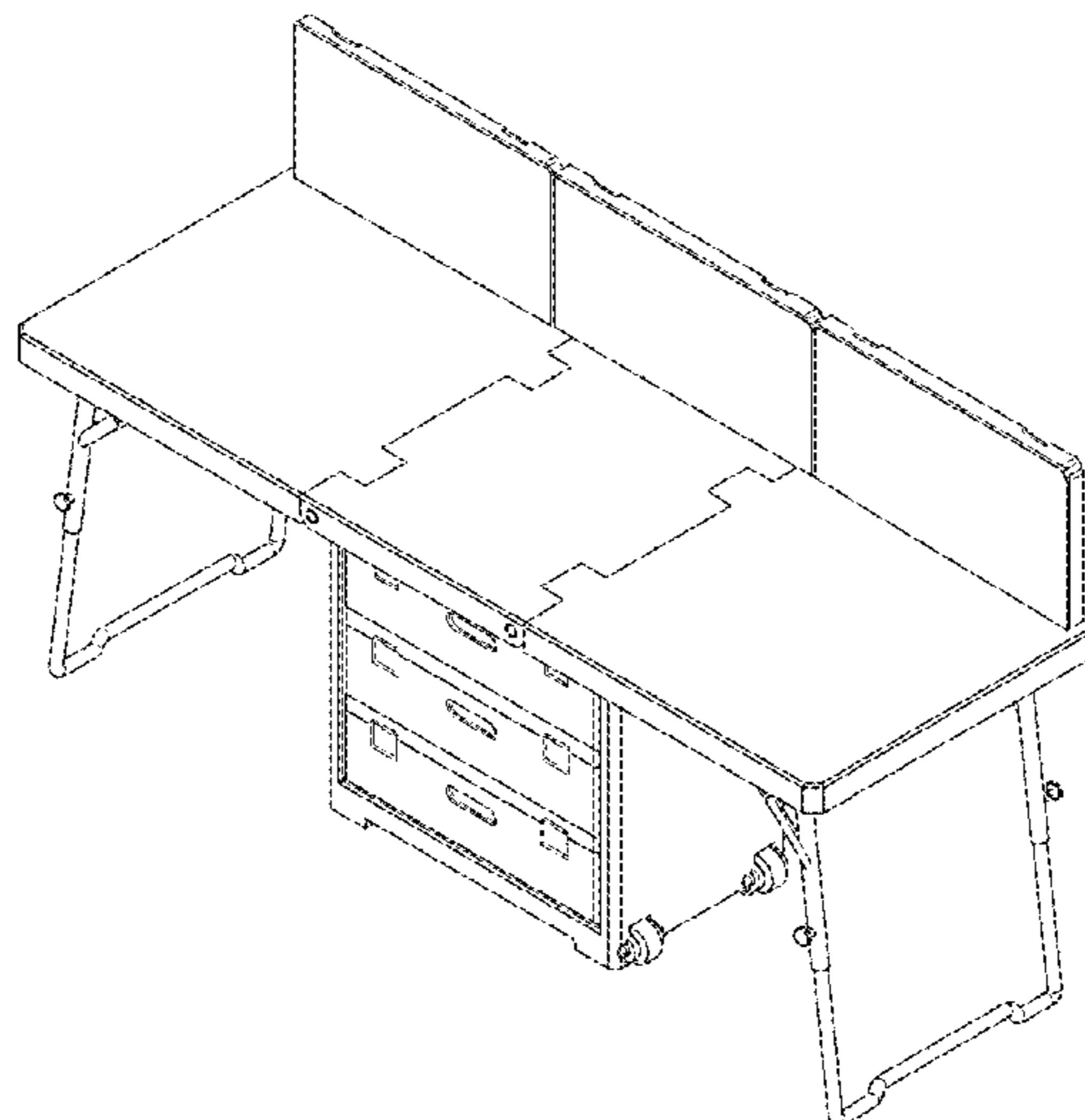
FIG. 6 is an exploded view of the portable desk of FIG. 1;

FIG. 7 is a top perspective view of the portable desk of FIG.  
1 shown in an alternate configuration for collapsing the  
portable desk for transport or storage;

FIG. 8 is a rear perspective view of the cabinet of the  
portable desk of FIG. 1, shown in an alternate configuration  
with the drawers removed; and,

FIG. 9 is a perspective view of the portable desk of FIG. 1  
in a collapsed configuration for transport or storage.

**1 Claim, 9 Drawing Sheets**



(56)

**References Cited**

U.S. PATENT DOCUMENTS

5,311,826 A \* 5/1994 Baggiani ..... A47B 1/056  
108/166  
D407,233 S \* 3/1999 Naas ..... A47B 3/083  
D34/20  
6,431,091 B1 \* 8/2002 Chang ..... A47B 1/04  
108/115  
D479,064 S \* 9/2003 Goldberg ..... D6/684  
D743,190 S \* 11/2015 Franck ..... A47B 37/04  
D6/675  
9,848,695 B1 \* 12/2017 Gauss ..... A47B 37/04  
2009/0283019 A1 \* 11/2009 Chen ..... A47B 3/00  
108/115  
2010/0288170 A1 \* 11/2010 Humphrey ..... F16B 12/44  
108/115  
2019/0218079 A1 \* 7/2019 Souders ..... A47B 9/20  
2019/0239638 A1 \* 8/2019 Fleck ..... A47B 1/04

\* cited by examiner

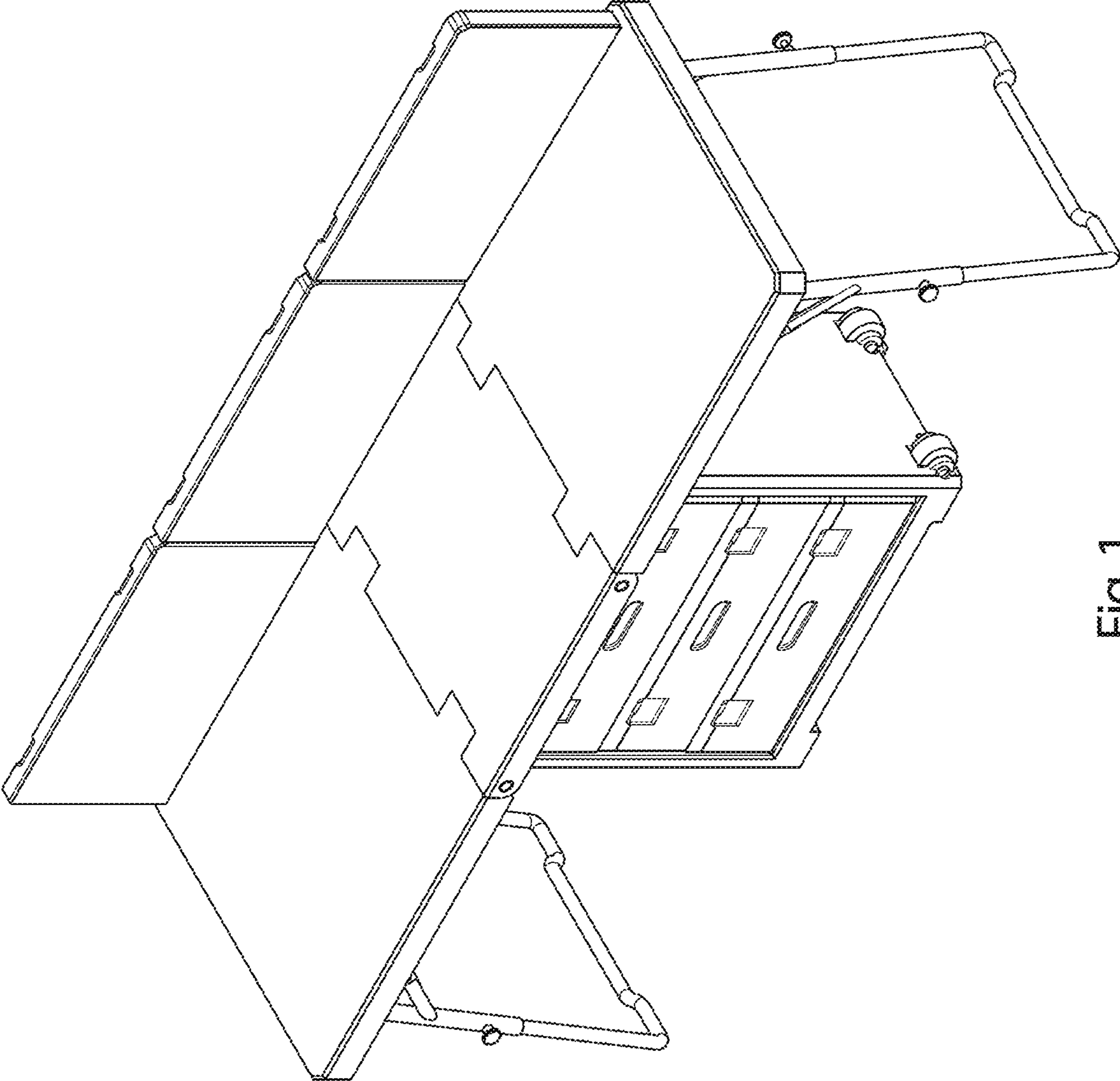


Fig 1

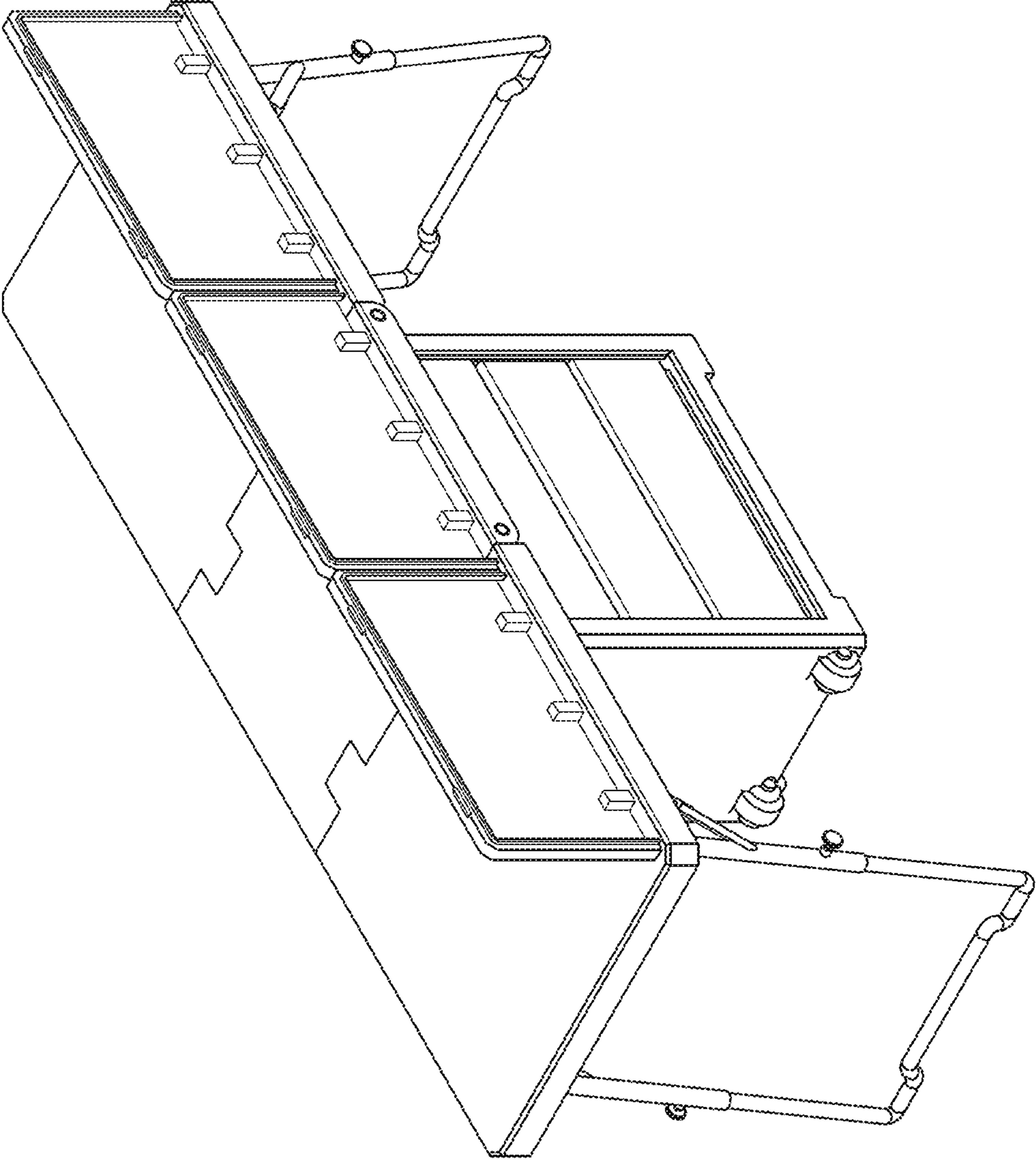


Fig 2

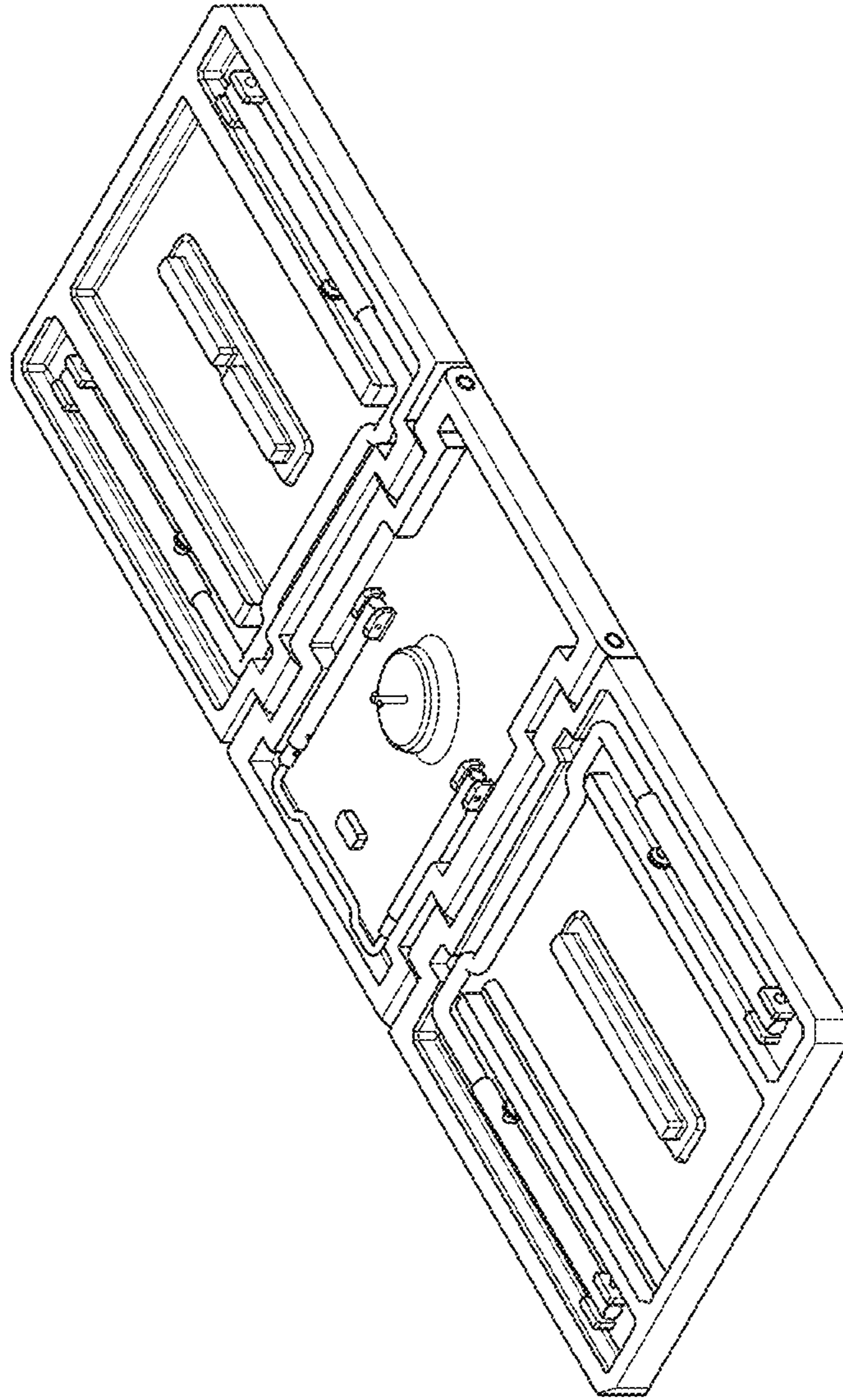


Fig 3

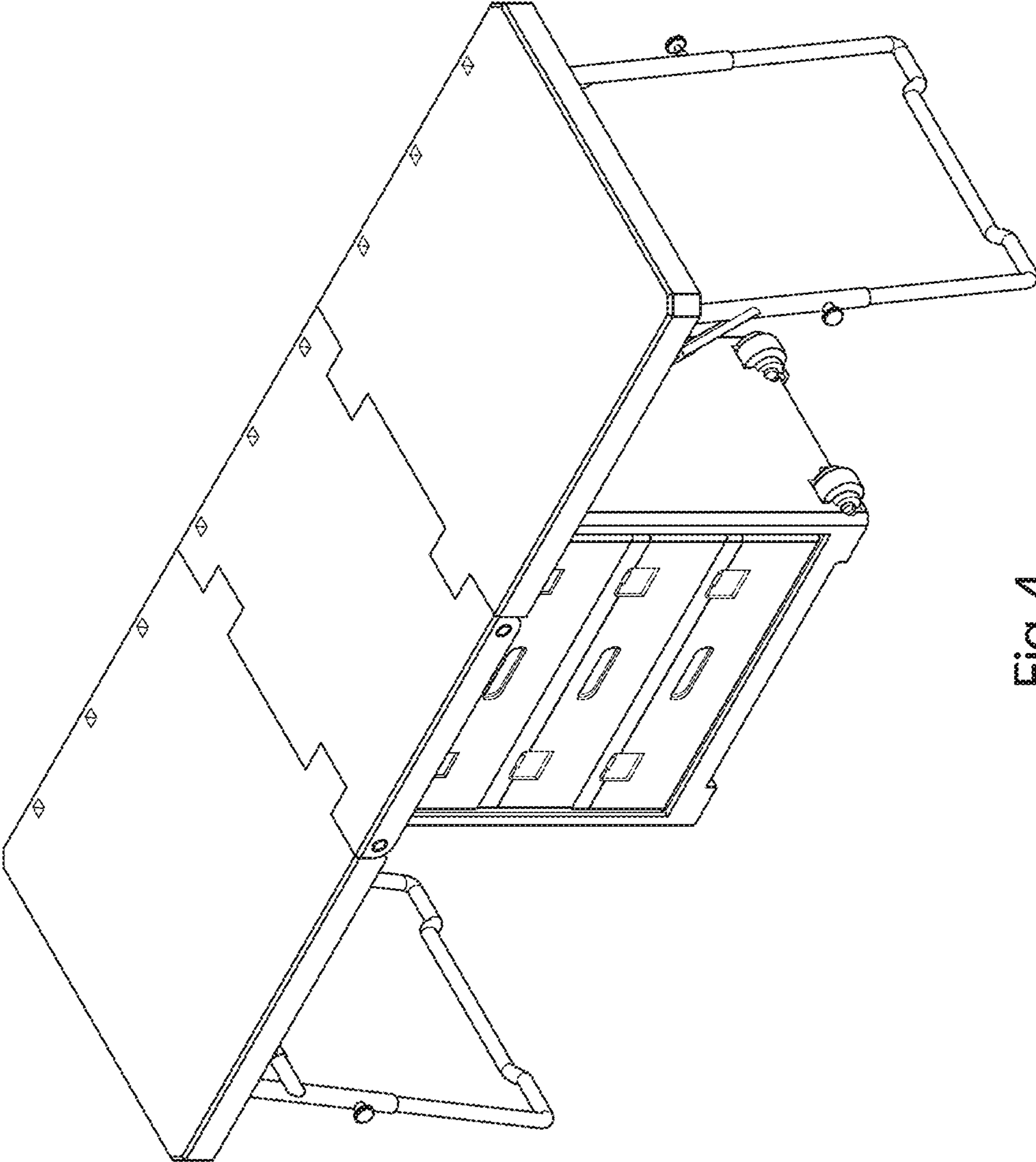


Fig 4

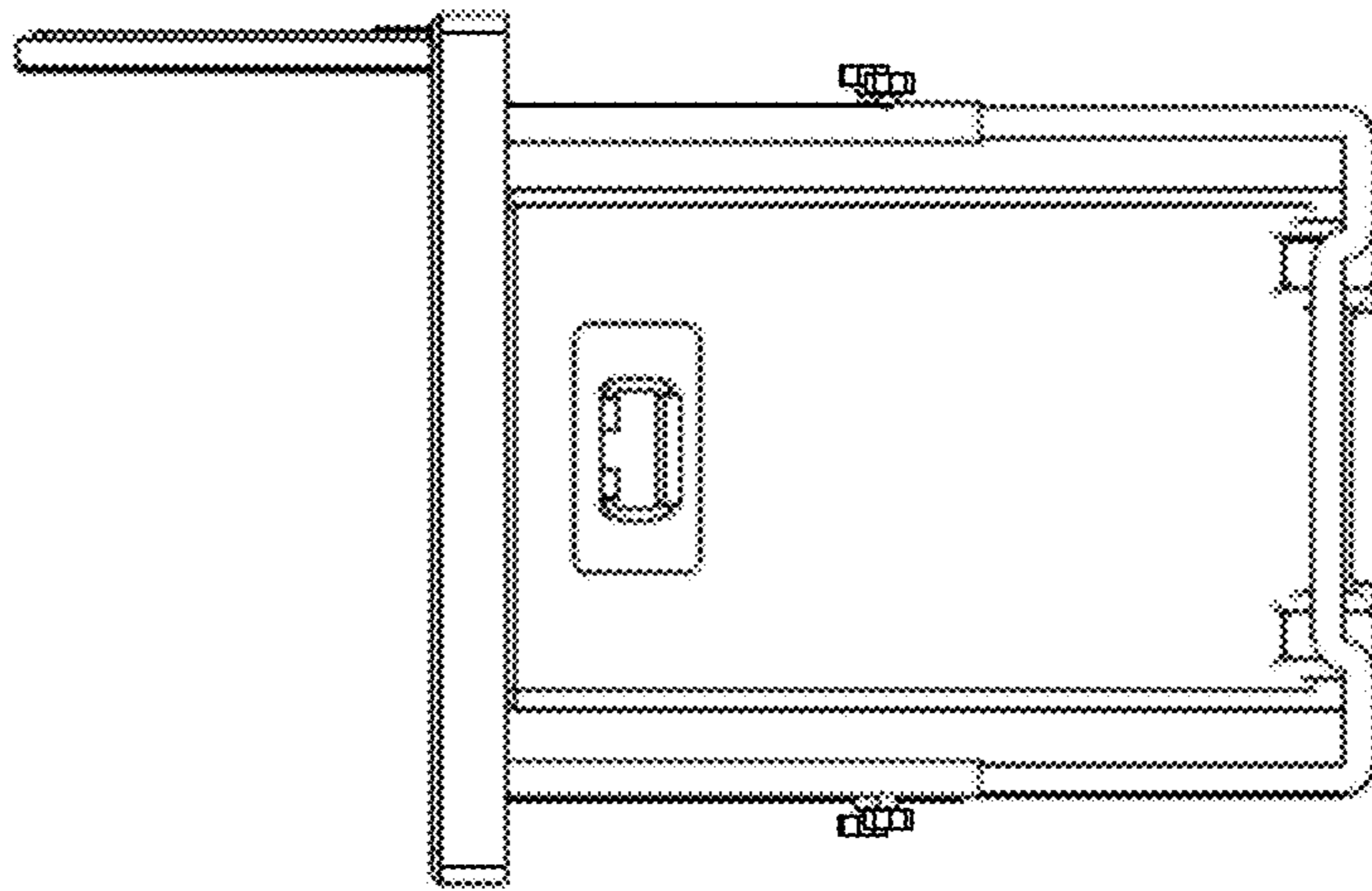


Fig 5

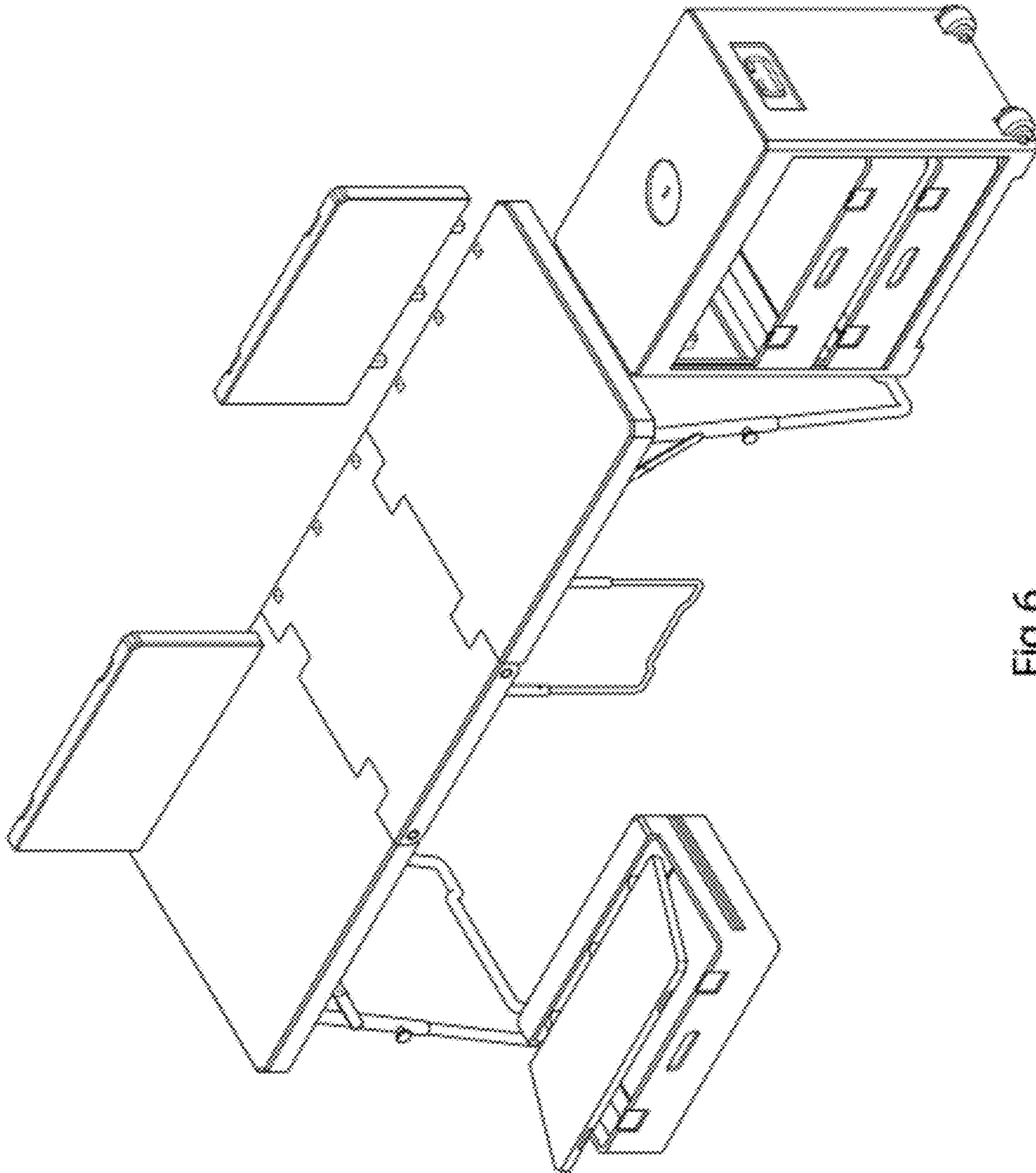


Fig 6



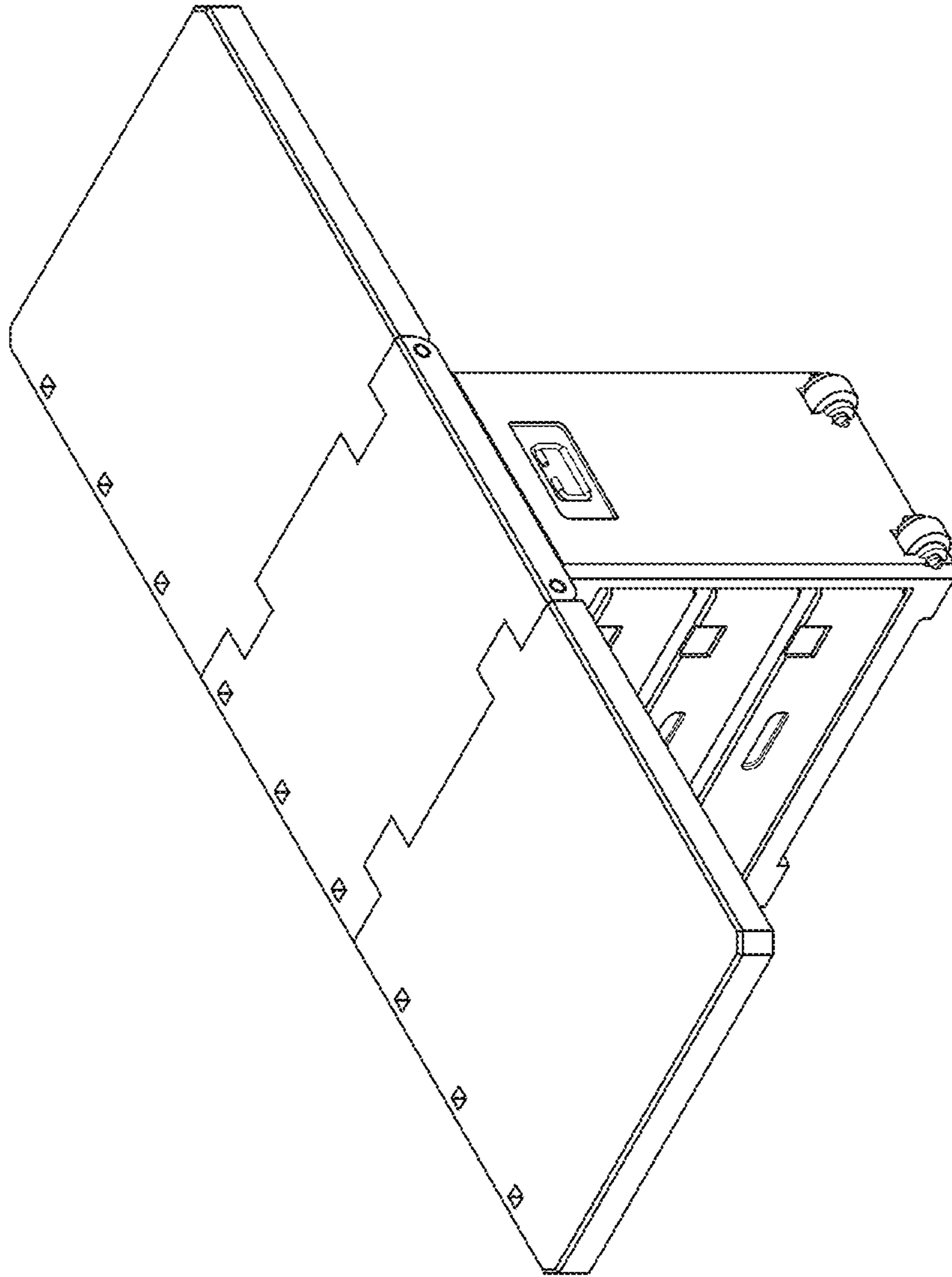


Fig 7

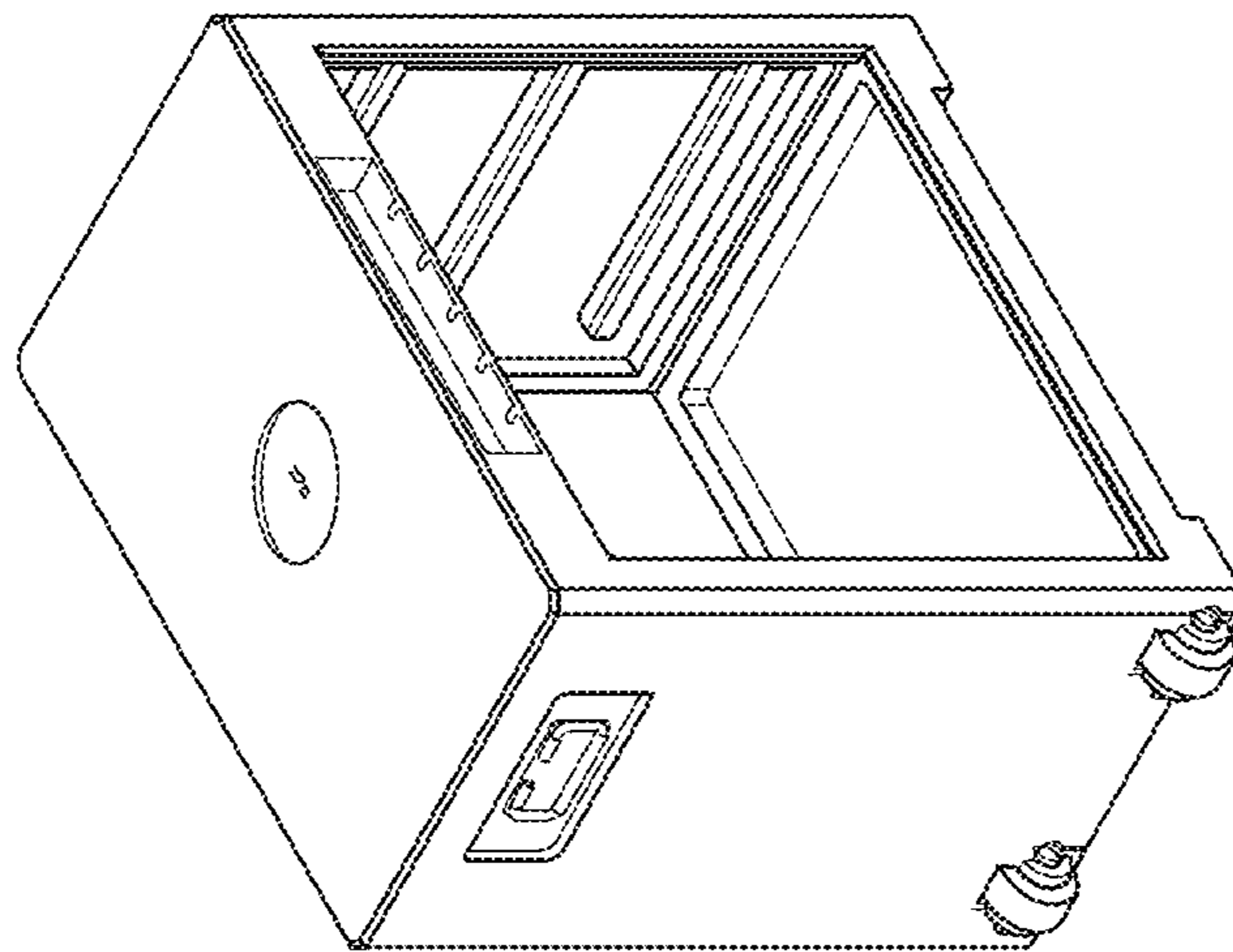


Fig 8

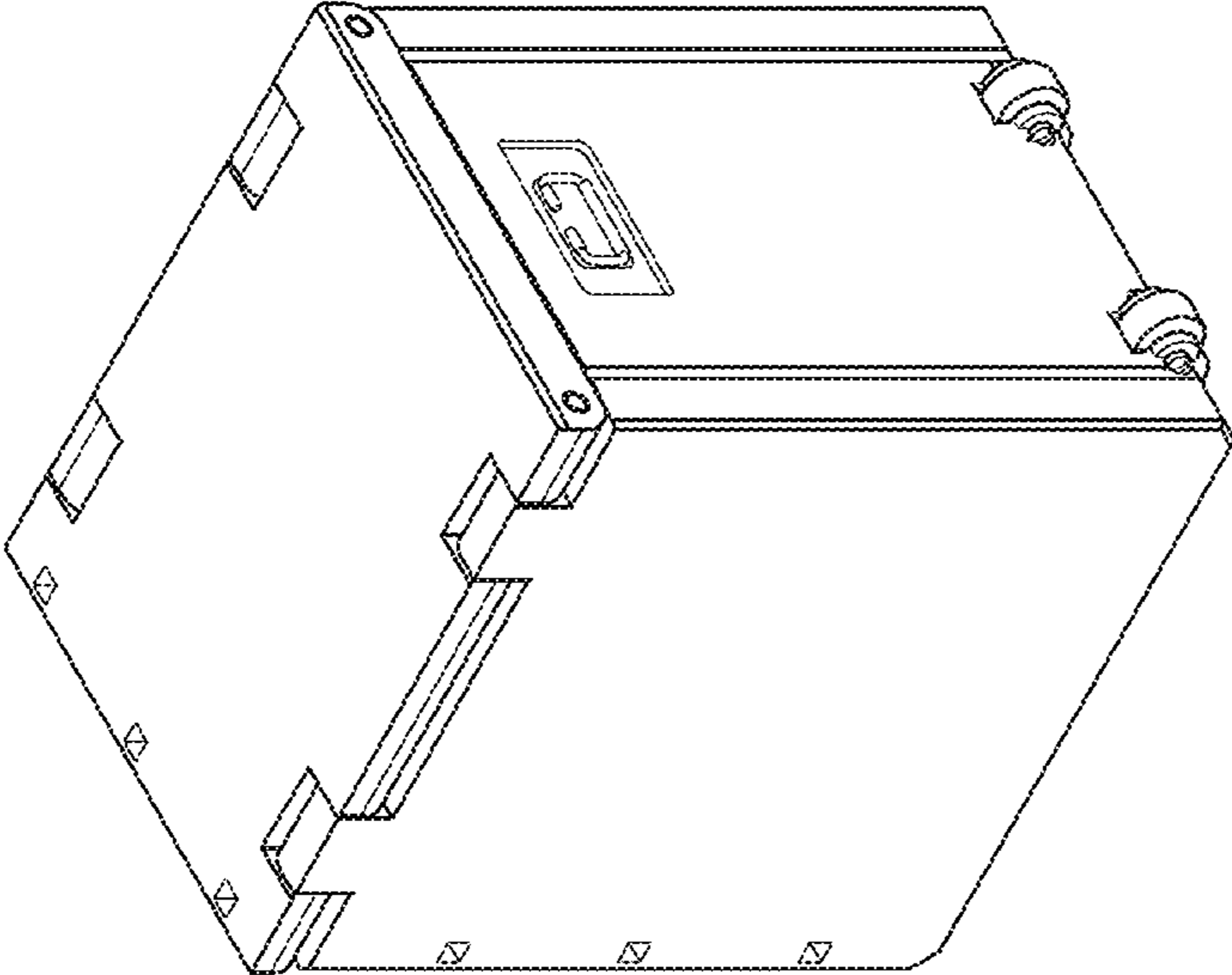


Fig 9