



US00D913721S

(12) **United States Design Patent**
Fritz

(10) **Patent No.:** **US D913,721 S**

(45) **Date of Patent:** **** Mar. 23, 2021**

(54) **TOWEL BAR**

(71) Applicant: **DELTA FAUCET COMPANY,**
Indianapolis, IN (US)

(72) Inventor: **Seth Fritz,** Carmel, IN (US)

(73) Assignee: **DELTA FAUCET COMPANY,**
Indianapolis, IN (US)

(**) Term: **15 Years**

(21) Appl. No.: **29/709,668**

(22) Filed: **Oct. 16, 2019**

(51) **LOC (13) Cl.** **06-04**

(52) **U.S. Cl.**
USPC **D6/549**

(58) **Field of Classification Search**
USPC D6/546–550, 512–525; 211/13.1, 16,
211/85.5, 86.01, 87.01, 88.04, 100, 105.1,
211/105.2, 106, 113, 123, 181.1,
211/182–183; 248/49, 175, 176.1, 200,
248/201, 205.1, 251, 302, 309.1, 315;
242/570, 590, 595–598; D8/300,
D8/315–321, 354, 363, 373, 380;
108/28–29
CPC A47K 10/3836; A47K 10/38
See application file for complete search history.

(56) **References Cited**

U.S. PATENT DOCUMENTS

D417,989 S * 12/1999 Moore D6/524
D451,740 S * 12/2001 Yeh D6/550

D454,742 S * 3/2002 Meck D6/549
D479,931 S * 9/2003 Gilbert D6/549
D573,829 S * 7/2008 Bickler D6/553
D655,961 S * 3/2012 Kemp D6/524
D668,486 S * 10/2012 Krumpe D6/524
D715,577 S * 10/2014 Fritz D6/549
D824,694 S * 8/2018 Schaubach D6/550
D846,301 S * 4/2019 Garland D6/549
D898,412 S * 10/2020 Garland D6/549
10,813,508 B2 * 10/2020 Heuer A47K 10/10

* cited by examiner

Primary Examiner — Nathan M Johnston

(74) *Attorney, Agent, or Firm* — Nirav D. Parikh; Edgar
A. Zarins

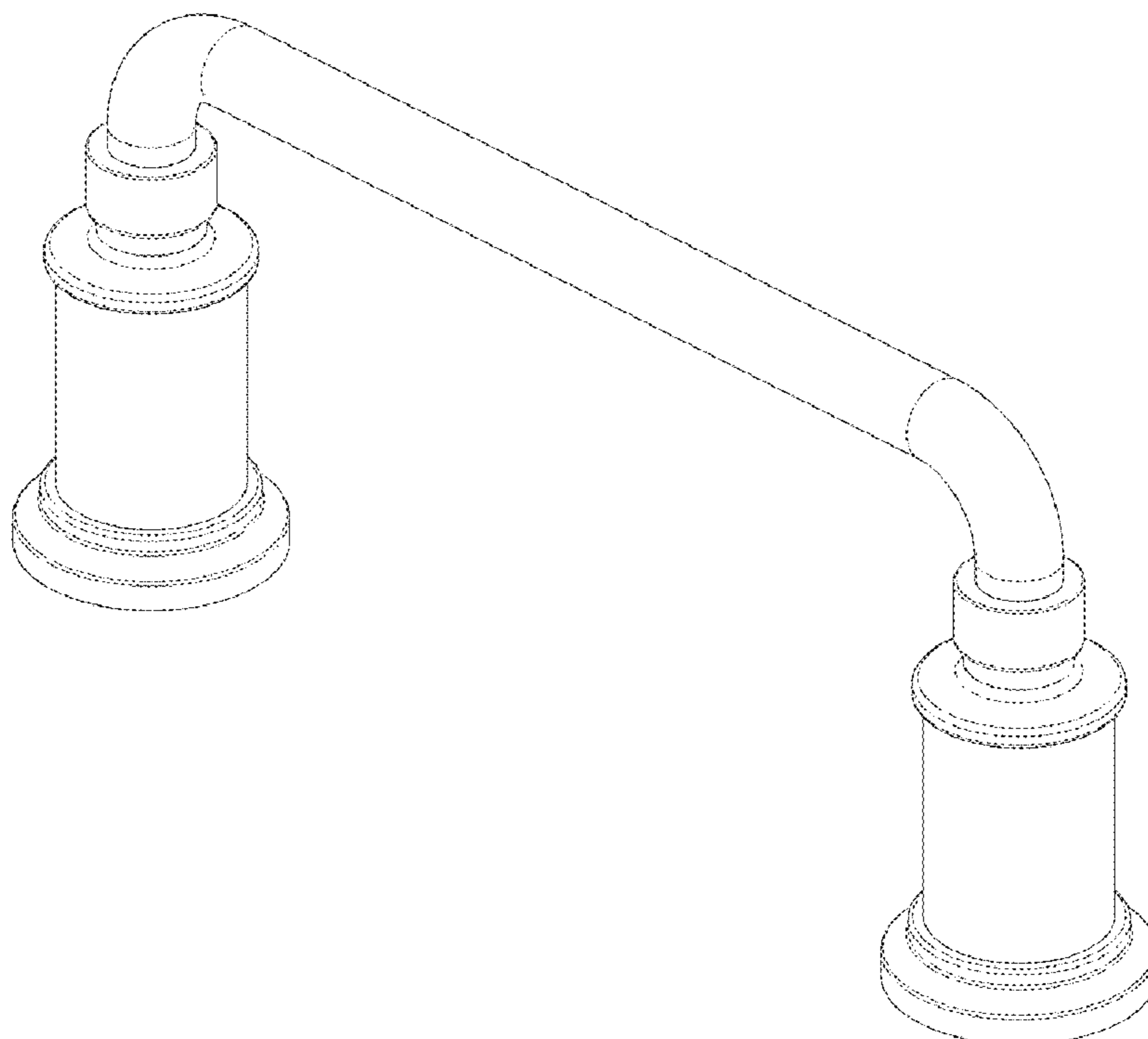
(57) **CLAIM**

The ornamental design for a towel bar, as shown and
described.

DESCRIPTION

FIG. 1 is a front perspective view of a towel bar showing my
new design;
FIG. 2 is a rear perspective view thereof;
FIG. 3 is a front elevational view thereof;
FIG. 4 is a left side view thereof;
FIG. 5 is a rear view thereof;
FIG. 6 is a right side view thereof;
FIG. 7 is a top plan view thereof; and,
FIG. 8 is a bottom view thereof.

1 Claim, 4 Drawing Sheets



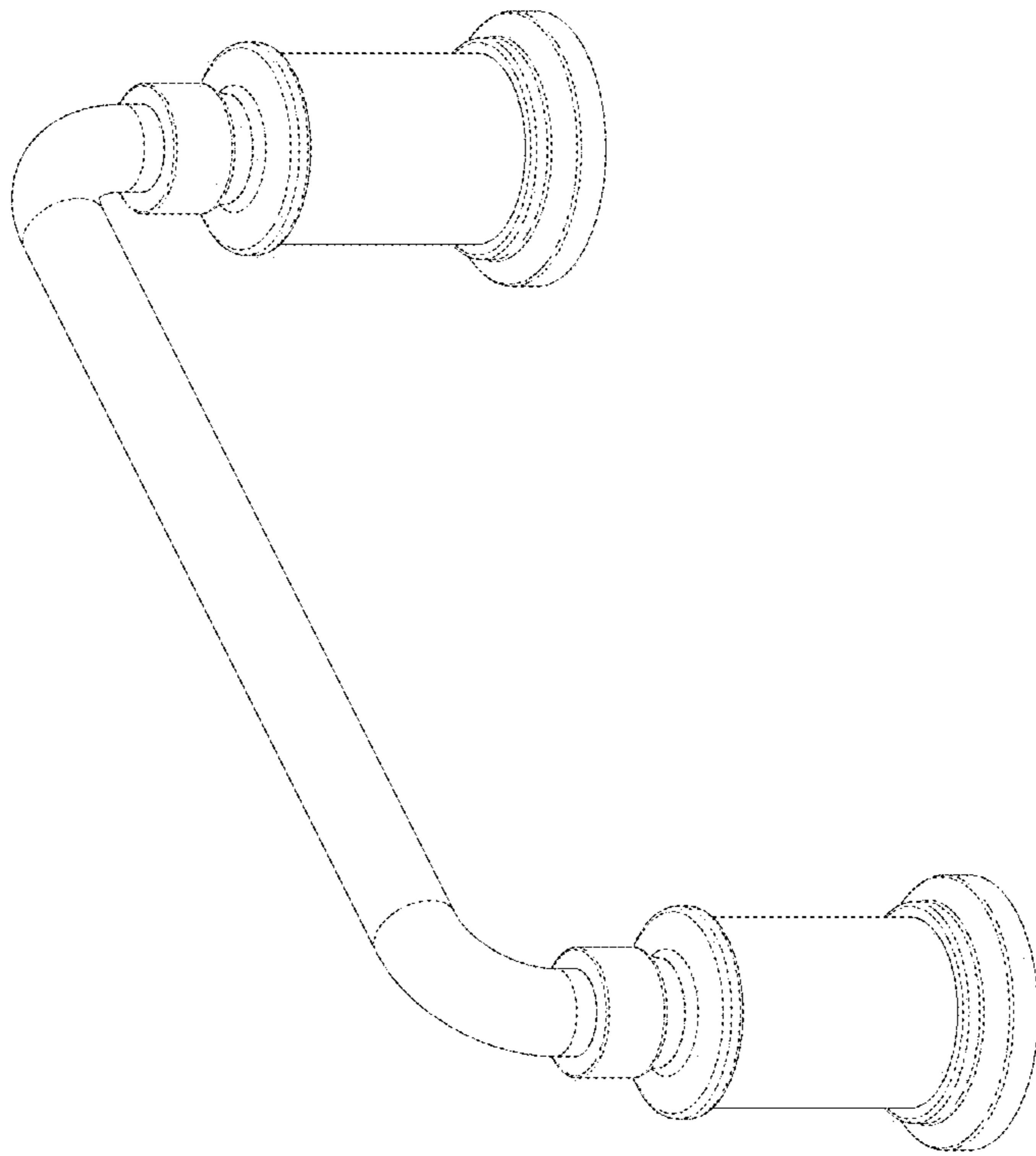


FIG - 2

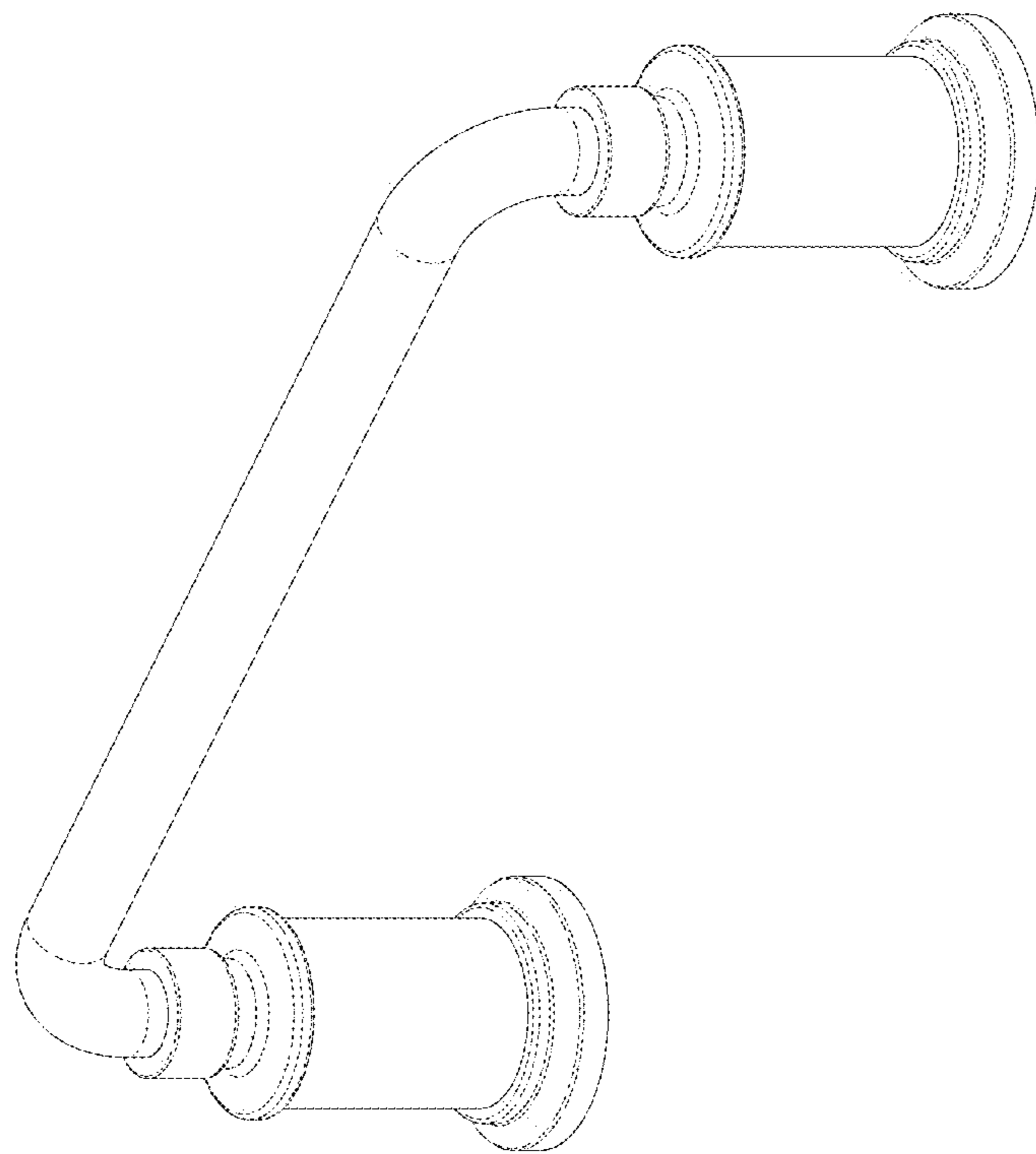


FIG - 1

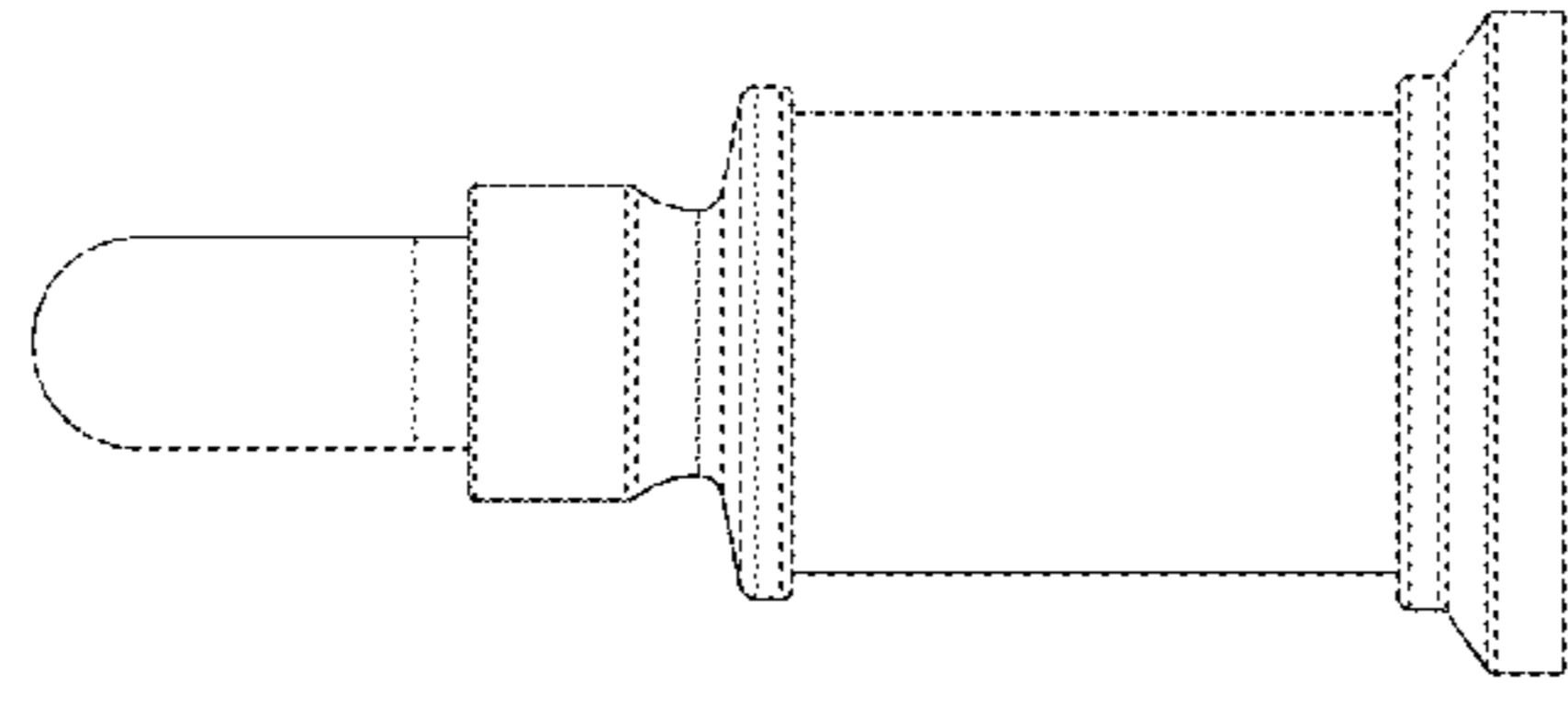


FIG - 4

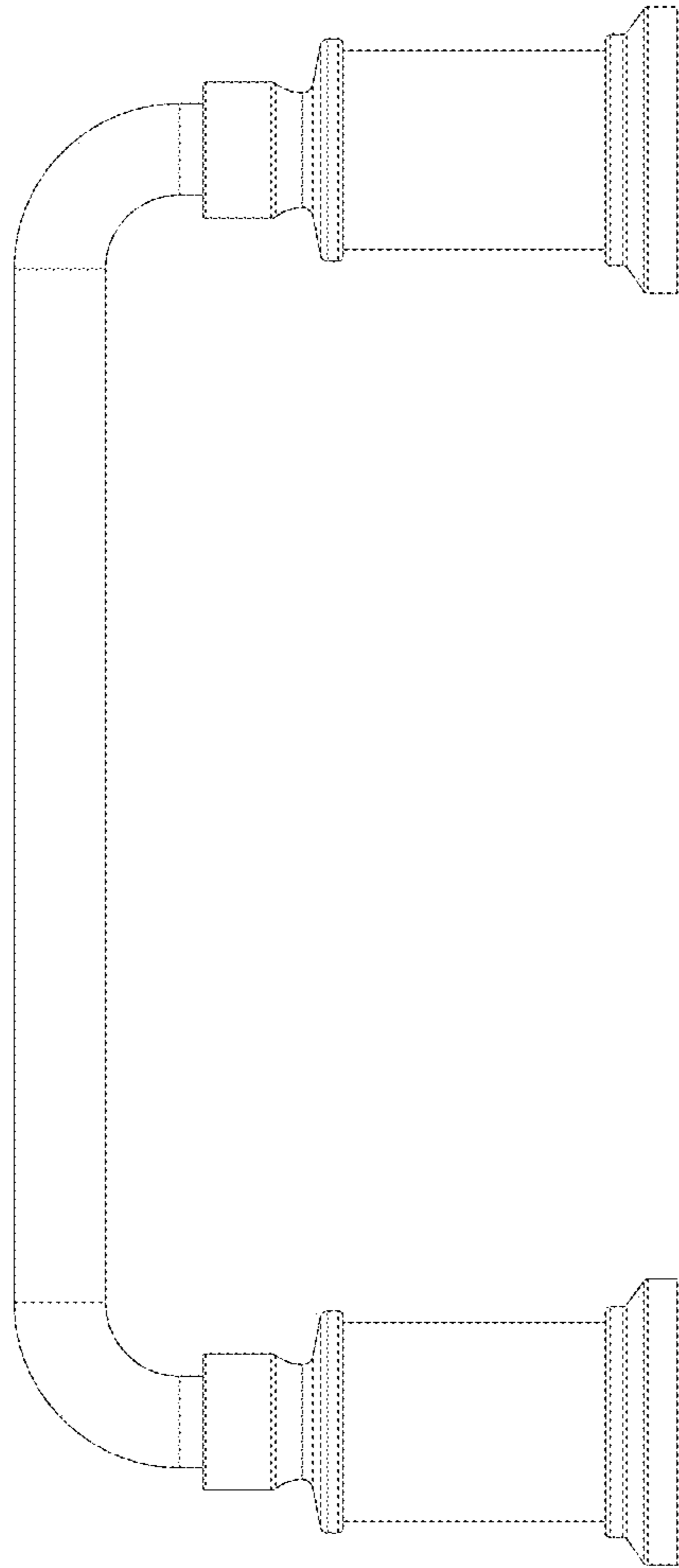


FIG - 3

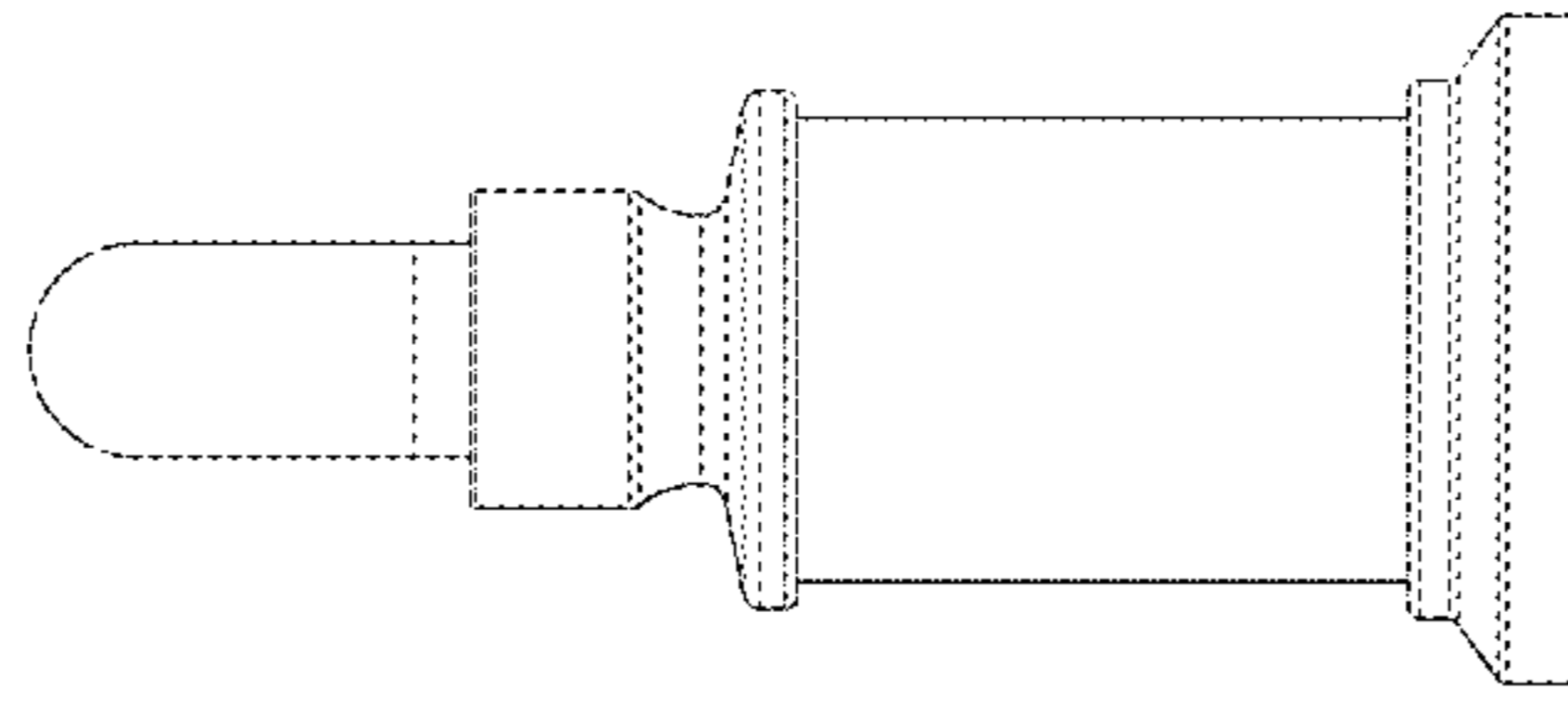


FIG. 6

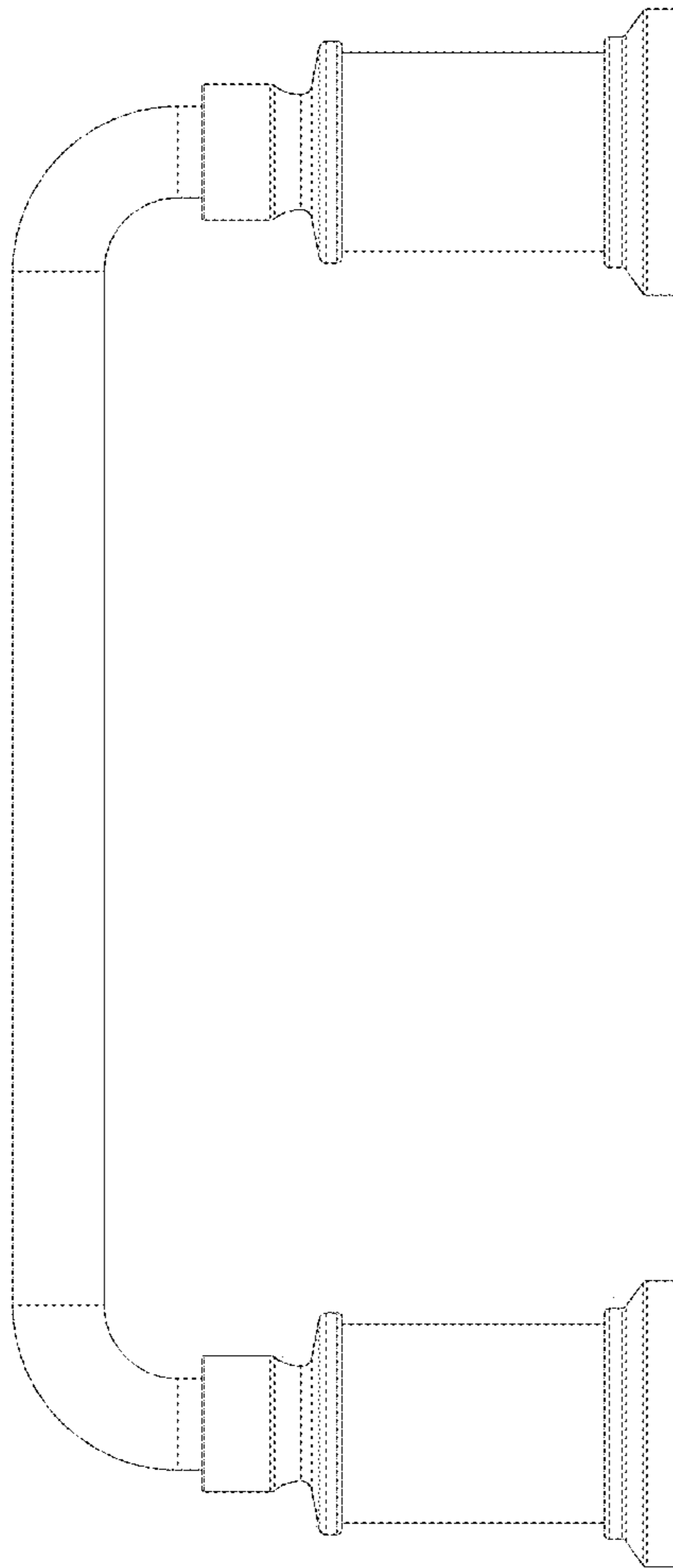


FIG. 5

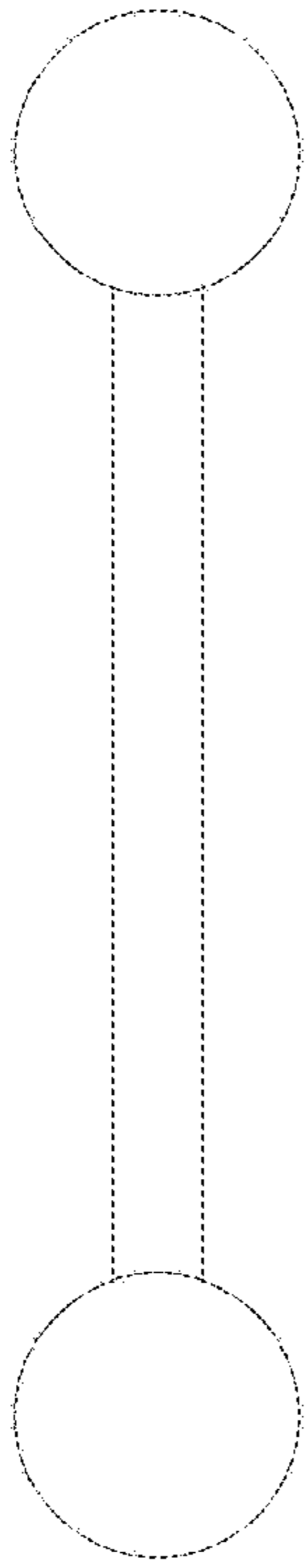


FIG - 8

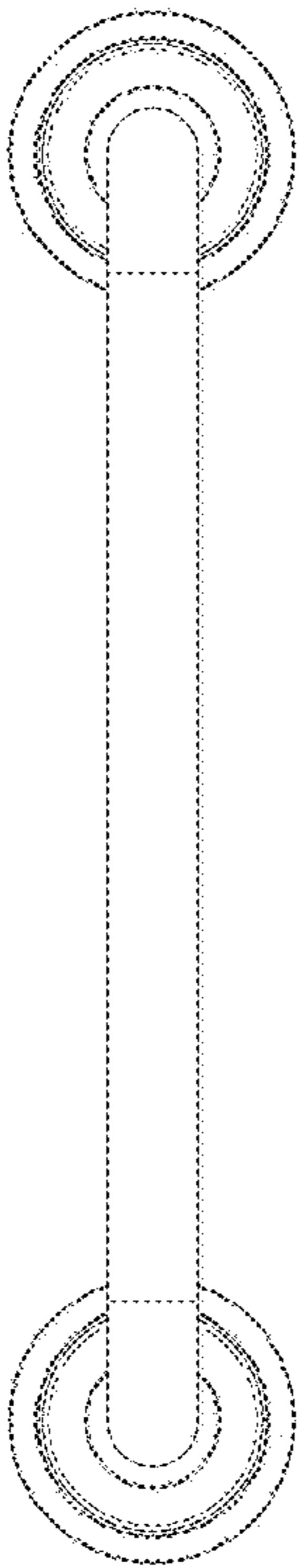


FIG - 7