



US00D913720S

(12) **United States Design Patent**  
**Zhang**

(10) **Patent No.:** **US D913,720 S**  
(45) **Date of Patent:** **\*\* Mar. 23, 2021**

- (54) **LAPTOP DESK**
- (71) Applicant: **SHENZHEN PRIME TECHNOLOGY CO., LTD**, Shenzhen (CN)
- (72) Inventor: **Yuanming Zhang**, Shenzhen (CN)
- (73) Assignee: **SHENZHEN PRIME TECHNOLOGY CO., LTD**, Shenzhen (CN)
- (\*\*) Term: **15 Years**
- (21) Appl. No.: **29/749,333**
- (22) Filed: **Sep. 4, 2020**
- (51) **LOC (13) Cl.** ..... **06-06**
- (52) **U.S. Cl.**  
USPC ..... **D6/406.6**
- (58) **Field of Classification Search**  
USPC ..... D6/406.1, 406.3, 406.5, 406.6, 512, D6/685-686, 691, 704, 705; D7/550.1, D7/552.2, 554.3, 555; D14/439, 447  
CPC ..... A47G 23/06; A47G 23/08; A47G 29/093; A47B 23/00; A47B 23/002  
See application file for complete search history.

D512,245 S *	12/2005	Bean	.....	D6/406.3
D583,164 S *	12/2008	Jennings	.....	D6/406.6
D609,027 S *	2/2010	Jennings	.....	D6/406.5
D609,495 S	2/2010	Adams		
D619,823 S *	7/2010	Jennings	.....	D6/406.3
7,828,260 B2 *	11/2010	Hauser	.....	A47B 23/043 248/456
D663,546 S *	7/2012	Jennings	.....	D6/406.3
D701,089 S *	3/2014	Lee	.....	D7/554.3
D701,213 S *	3/2014	Pajic	.....	D14/447
D728,581 S *	5/2015	Feinberg	.....	D14/447
D794,974 S *	8/2017	Jennings	.....	D6/406.3
D836,937 S *	1/2019	Sullins	.....	D6/406.3
D843,752 S *	3/2019	Sullins	.....	D6/406.5
D853,147 S *	7/2019	Chen	.....	D6/406.5
D886,110 S *	6/2020	Akana	.....	D14/447
D887,166 S *	6/2020	Ren	.....	D6/406.5
D892,515 S	8/2020	Wang		
D906,719 S *	1/2021	Sullins	.....	D6/406.5
2007/0113757 A1 *	5/2007	Lilly	.....	A47B 23/002 108/25

\* cited by examiner

Primary Examiner — Kelley A Donnelly

(57) **CLAIM**

The ornamental design for a laptop desk, as shown and described.

**DESCRIPTION**

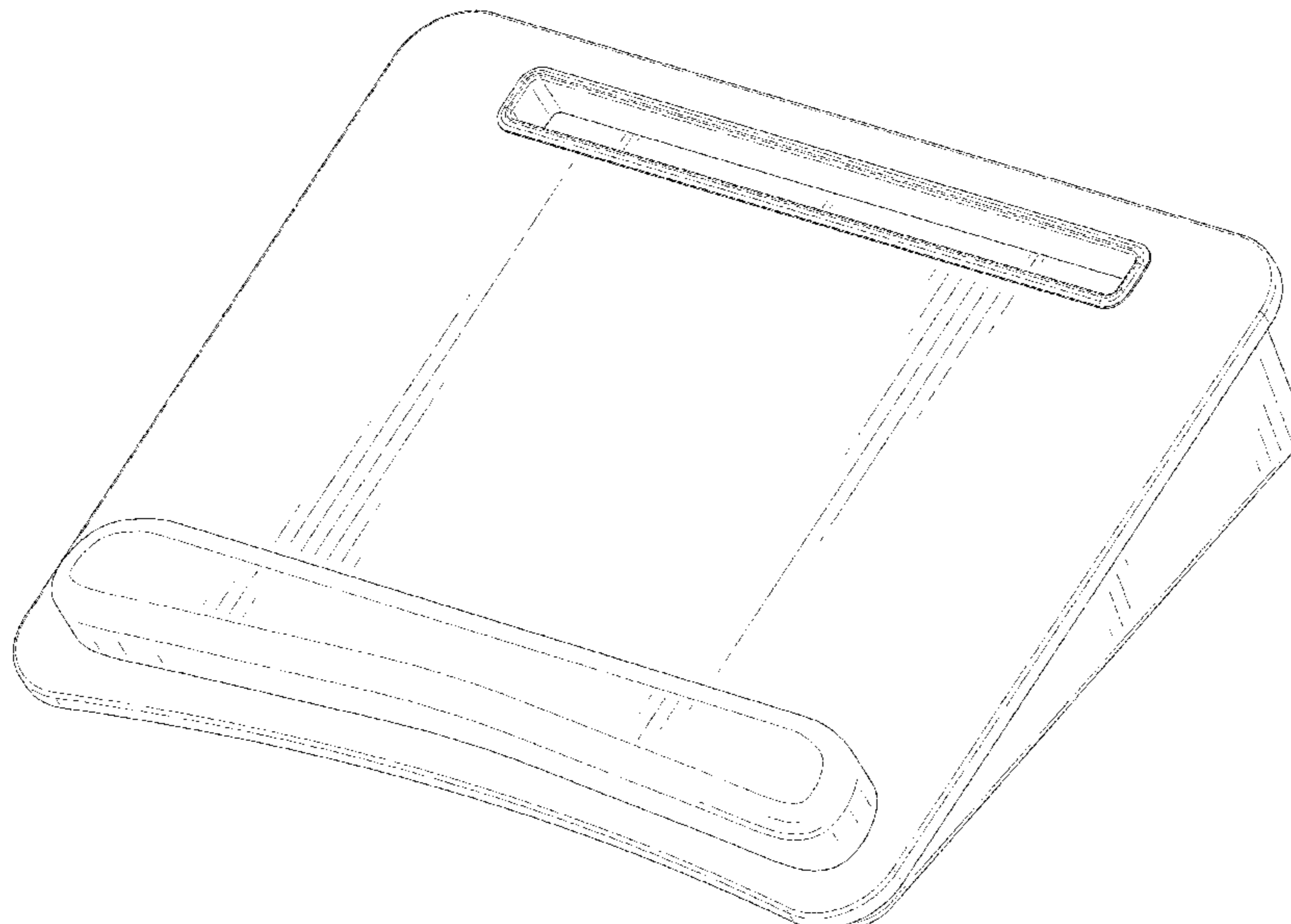
FIG. 1 is a perspective view of a laptop desk showing my new design;  
FIG. 2 is another perspective view thereof;  
FIG. 3 is a front elevational view thereof;  
FIG. 4 is a rear elevational view thereof;  
FIG. 5 is a left side elevational view thereof;  
FIG. 6 is a right side elevational view thereof;  
FIG. 7 is a top plan view thereof; and,  
FIG. 8 is a bottom plan view thereof.

**1 Claim, 8 Drawing Sheets**

(56) **References Cited**

**U.S. PATENT DOCUMENTS**

2,640,747 A *	6/1953	Bodenhoff	.....	A47B 23/00 248/444
D293,493 S *	12/1987	Garr	.....	D6/406.6
5,081,936 A *	1/1992	Drieling	.....	B60N 3/002 108/25
D356,009 S *	3/1995	Branch	.....	D6/406.5
5,425,455 A *	6/1995	Miller	.....	A47G 23/0608 206/562
6,036,158 A *	3/2000	Raasch	.....	B60N 3/005 108/44
D499,575 S *	12/2004	Chan	.....	D6/406.3



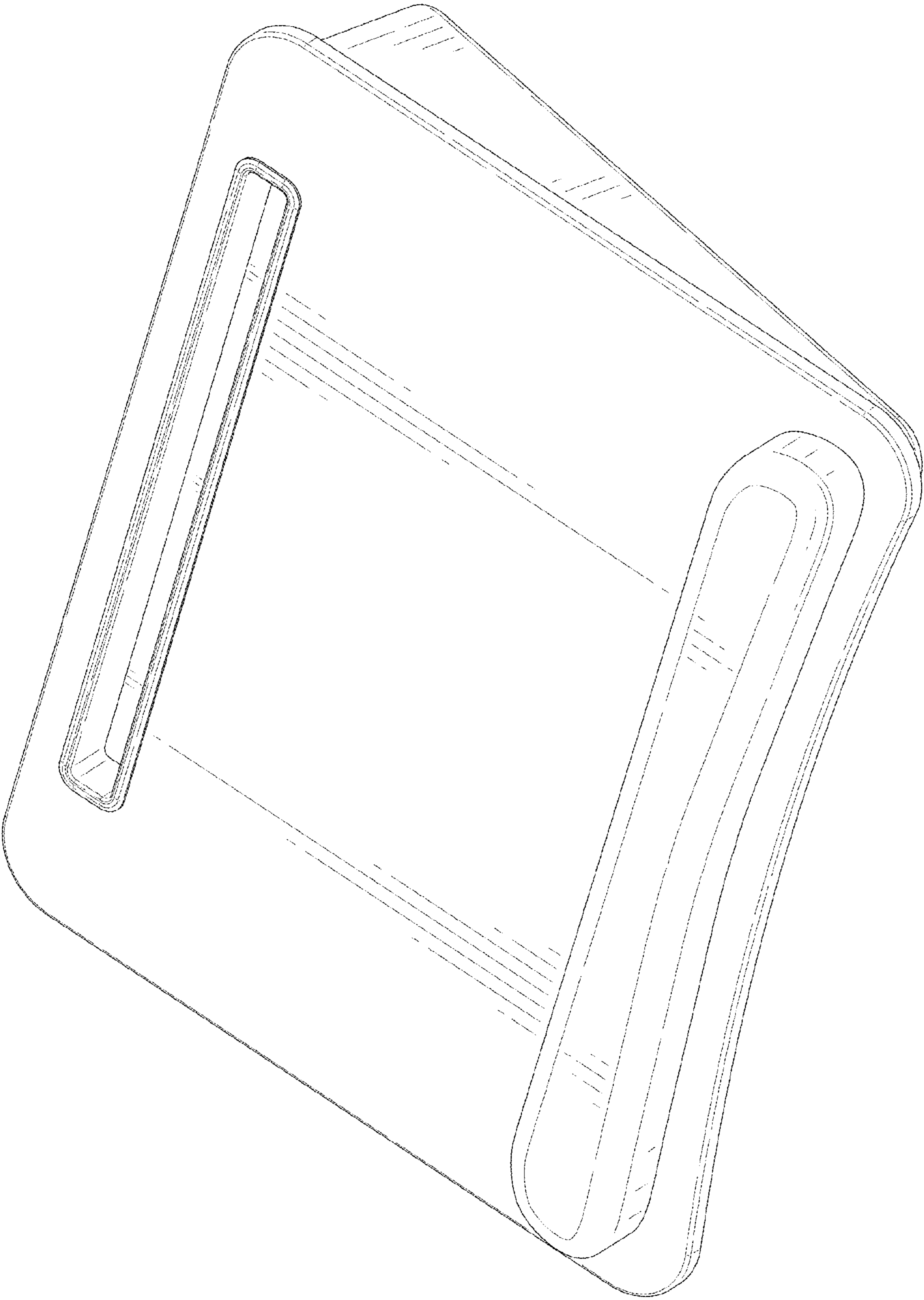


FIG. 1

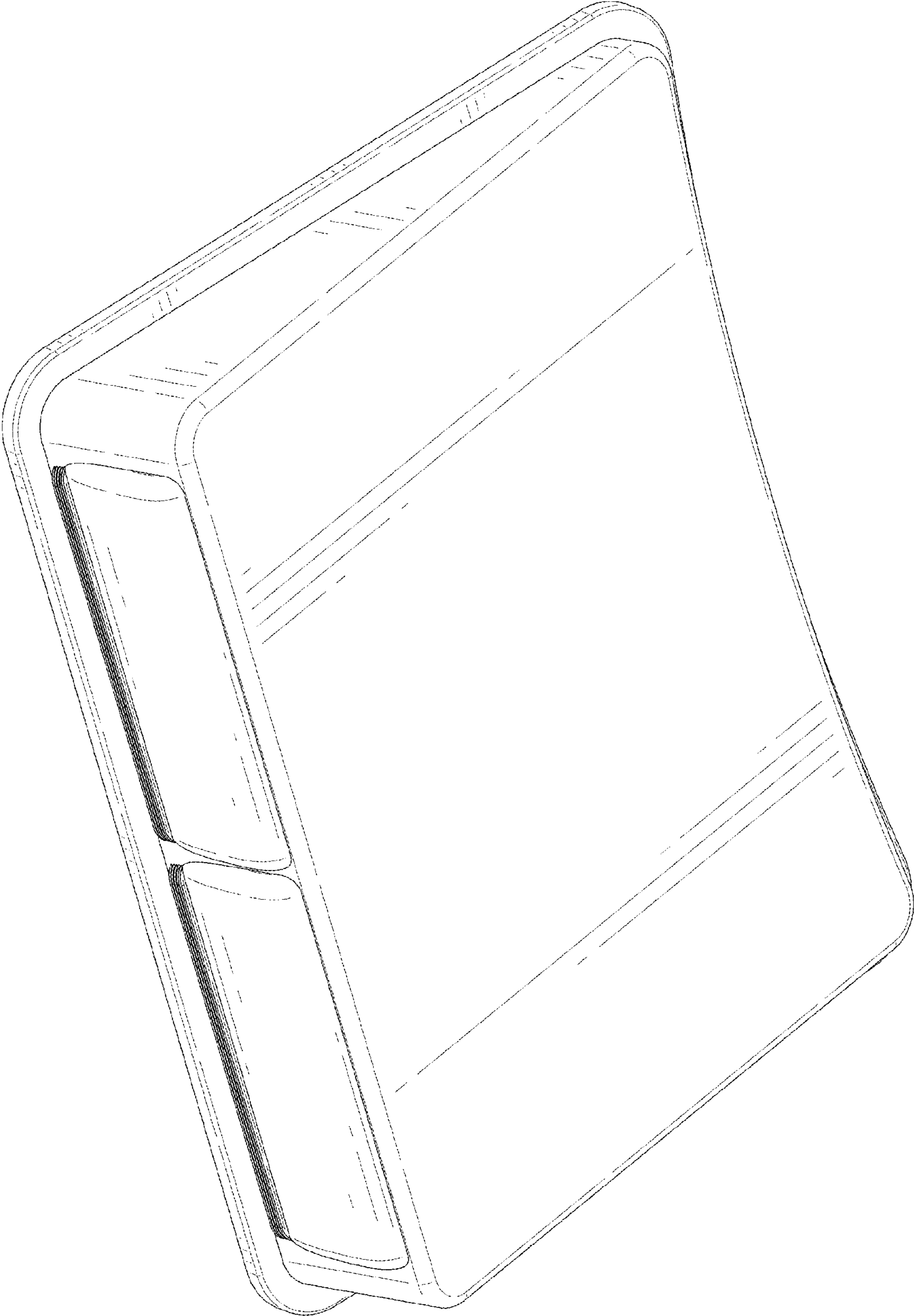


FIG. 2

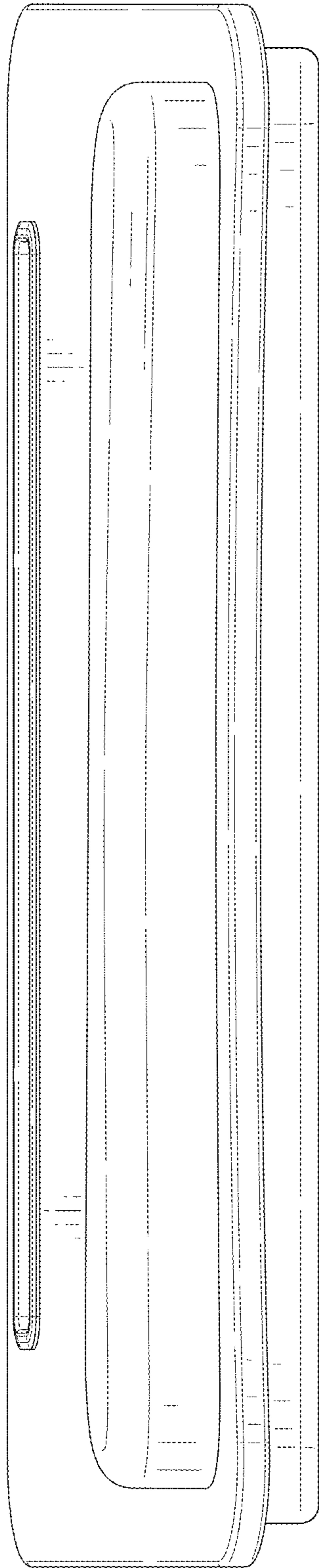


FIG. 3

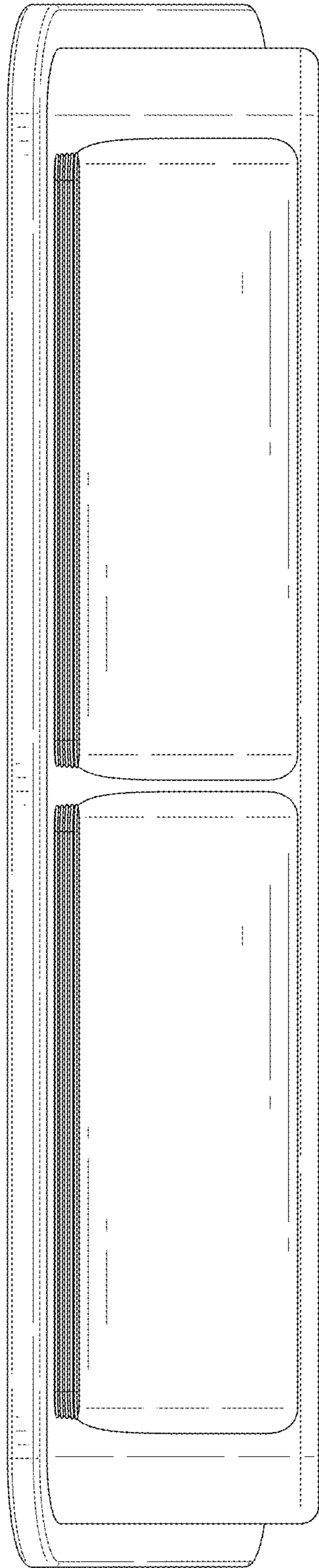


FIG. 4

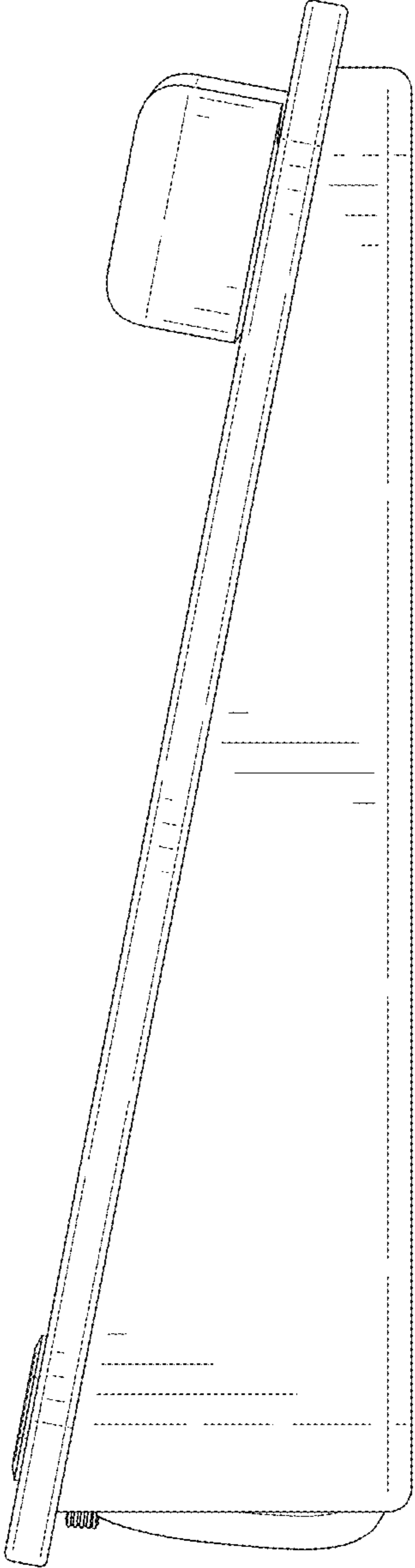


FIG. 5

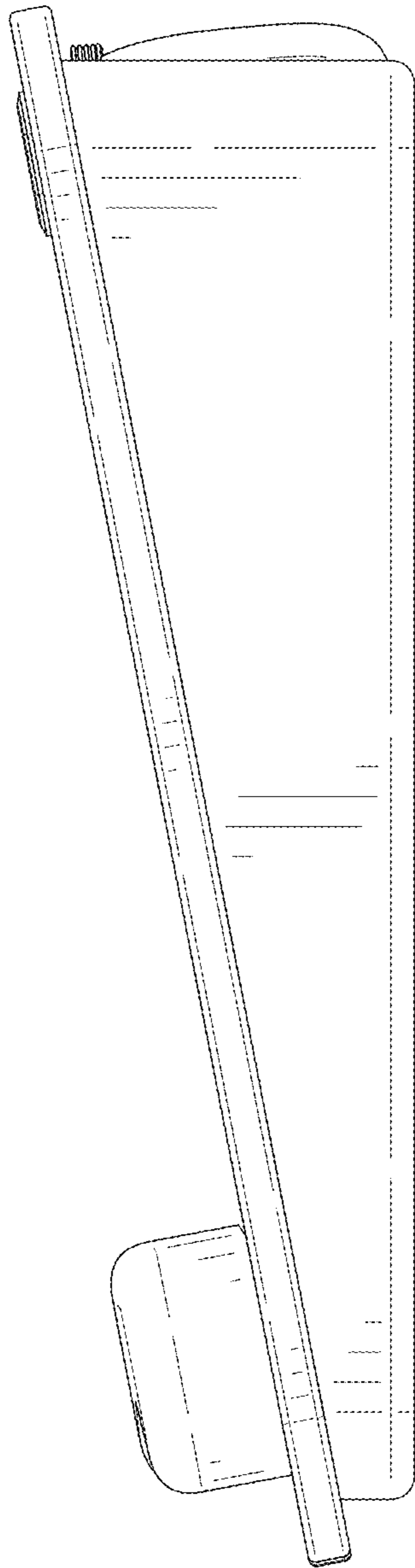


FIG. 6

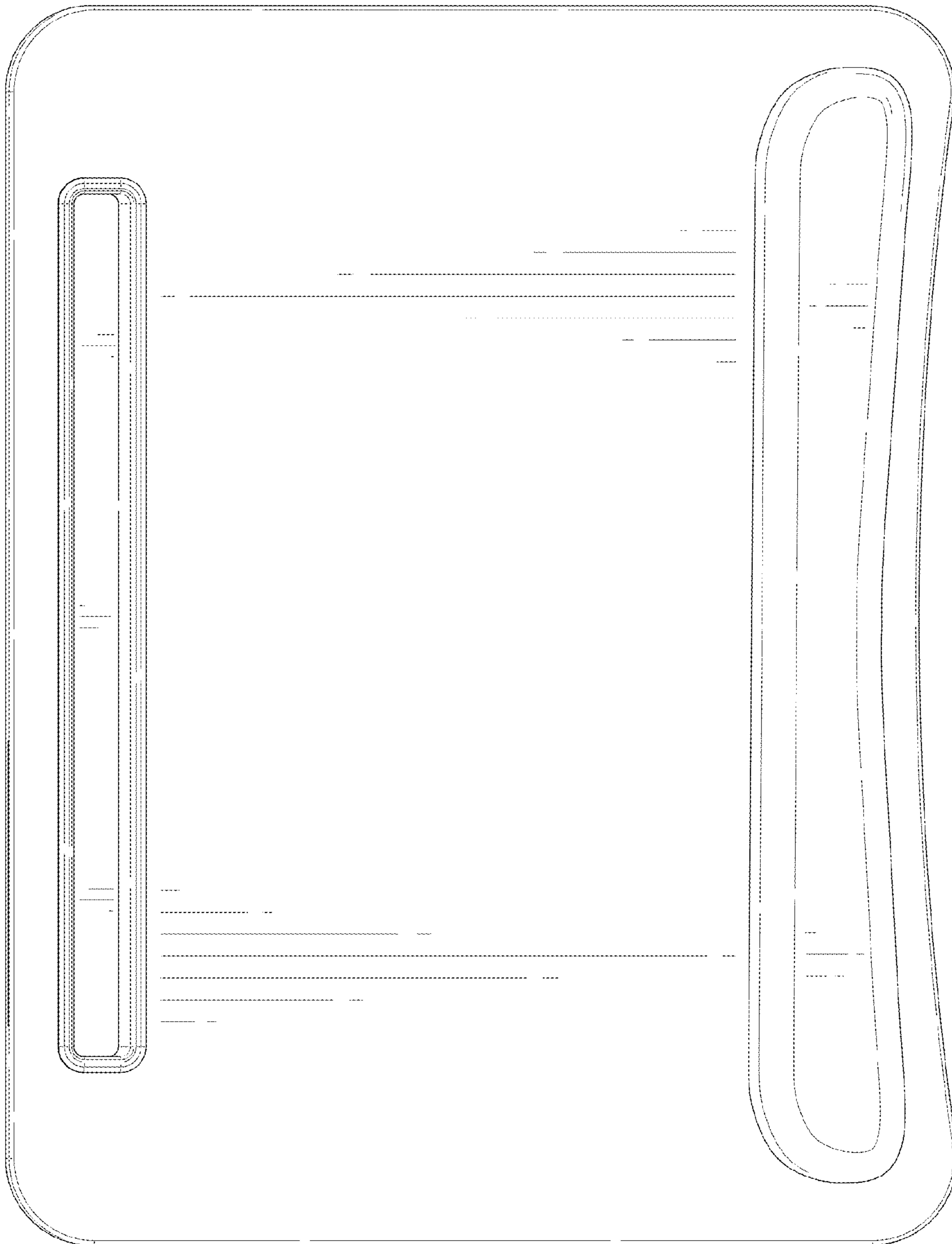


FIG. 7



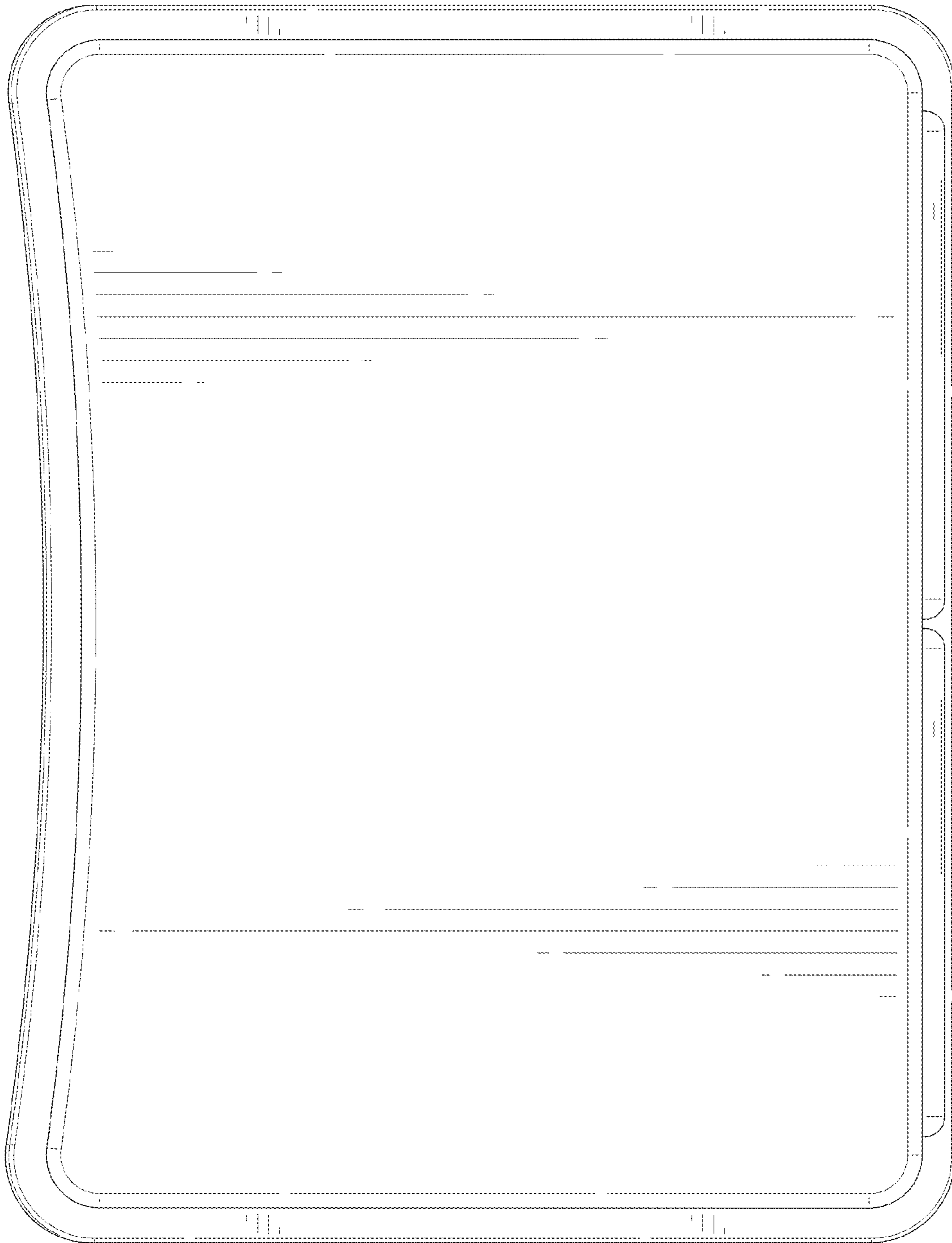


FIG. 8