



US00D913710S

(12) **United States Design Patent** (10) **Patent No.:** **US D913,710 S**
Bilodeau (45) **Date of Patent:** **** Mar. 23, 2021**

(54) **FRONT SEAT**
(71) Applicant: **TESLA, INC.**, Palo Alto, CA (US)
(72) Inventor: **Julien Bilodeau**, Los Angeles, CA (US)
(73) Assignee: **Tesla, Inc.**, Palo Alto, CA (US)
(**) Term: **15 Years**
(21) Appl. No.: **29/670,427**
(22) Filed: **Nov. 15, 2018**
(51) **LOC (13) Cl.** **06-01**
(52) **U.S. Cl.**
USPC **D6/356**
(58) **Field of Classification Search**
USPC D6/334, 356, 360, 369, 370, 374, 376,
D6/716, 716.1, 716.2, 716.3, 716.4,
D6/716.5, 716.7; D21/521, 533, 548
CPC A61H 2201/0149; B60N 2/06; B60N 2/20;
B60N 2/22; B60N 2/58; B60N 2/68;
B60N 2/80; B60N 2/643; B60N 2/888;
B60N 2/859; B60N 2/1615; B60N
2/7035; B60N 2/42745; B60N 2002/0272;
B60N 2205/35; B60N 2/44; B60N 2/56
See application file for complete search history.

(56) **References Cited**
U.S. PATENT DOCUMENTS
D321,095 S * 10/1991 Bockwoldt D6/356
D509,077 S * 9/2005 Beermann D6/356
D536,543 S * 2/2007 Hsu D6/356

D587,025 S * 2/2009 Juraschek D6/356
D685,586 S * 7/2013 Klein D6/356
D694,031 S * 11/2013 Ritzel D6/356
8,592,020 B2 * 11/2013 Fujita B60N 2/0705
428/57
D748,926 S * 2/2016 Henstridge D6/356
D837,551 S * 1/2019 Whyte D6/356
D841,349 S * 2/2019 Pinder D6/356
D841,350 S * 2/2019 Smith D6/356
D852,523 S * 7/2019 Ritzel D6/356
10,406,953 B2 * 9/2019 Tokumoto B60N 2/64

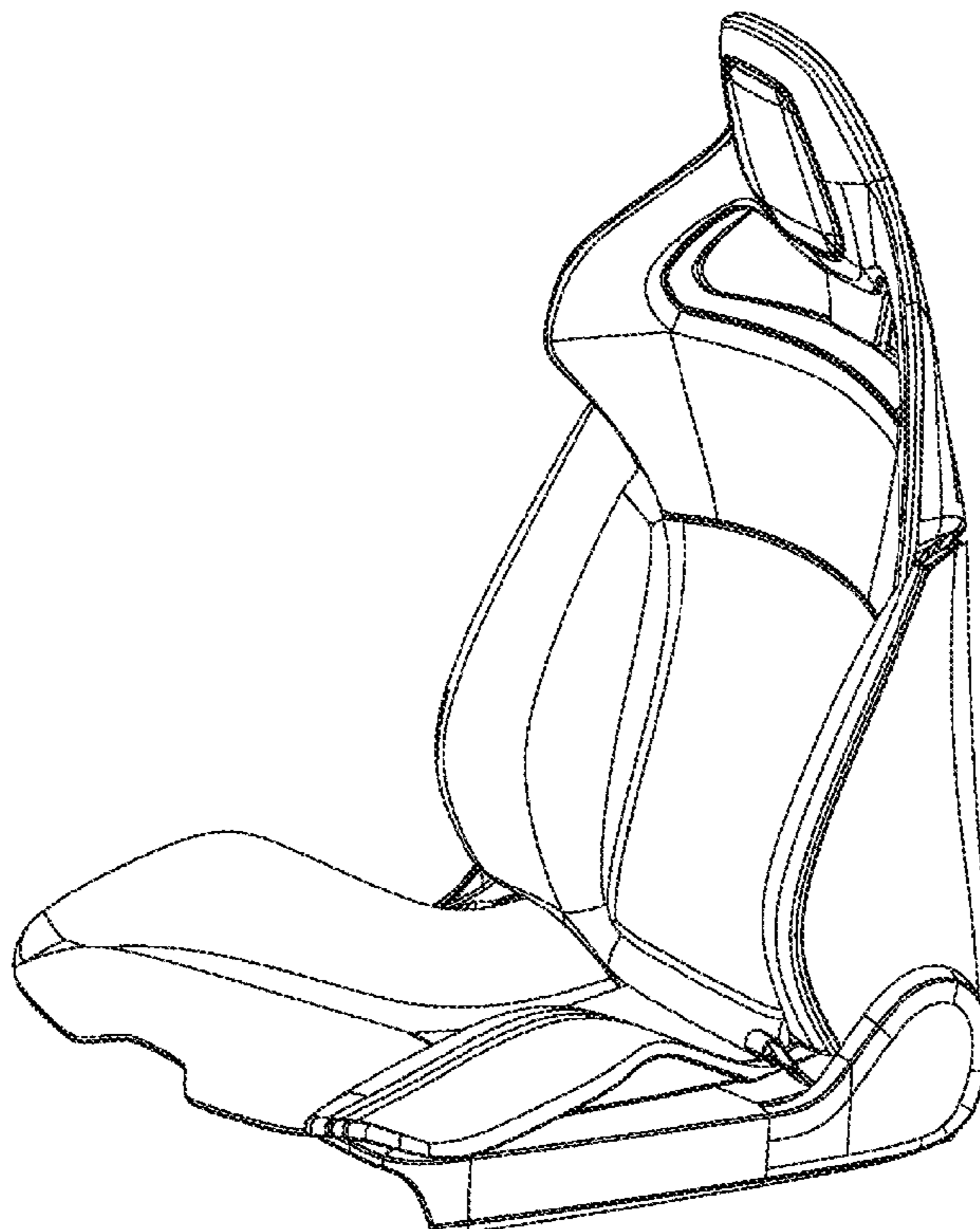
* cited by examiner

Primary Examiner — Kevin K Rudzinski
Assistant Examiner — Paul D Bohannon
(74) *Attorney, Agent, or Firm* — Knobbe, Martens, Olson
& Bear, LLP

(57) **CLAIM**
The ornamental design for a front seat, as shown as described.

DESCRIPTION
FIG. 1 is a back view of a front seat.
FIG. 2 is a bottom view of the front seat of FIG. 1.
FIG. 3 is a front view of the front seat of FIG. 1.
FIG. 4 is an isometric view of the front seat of FIG. 1.
FIG. 5 is a left-side view of the front seat of FIG. 1.
FIG. 6 is a right-side view of the front seat of FIG. 1; and,
FIG. 7 is a top view of the front seat of FIG. 1.
The broken lines show in the drawings are included for purposes of illustrating boundaries of the article and form no part of the claimed design.

1 Claim, 7 Drawing Sheets



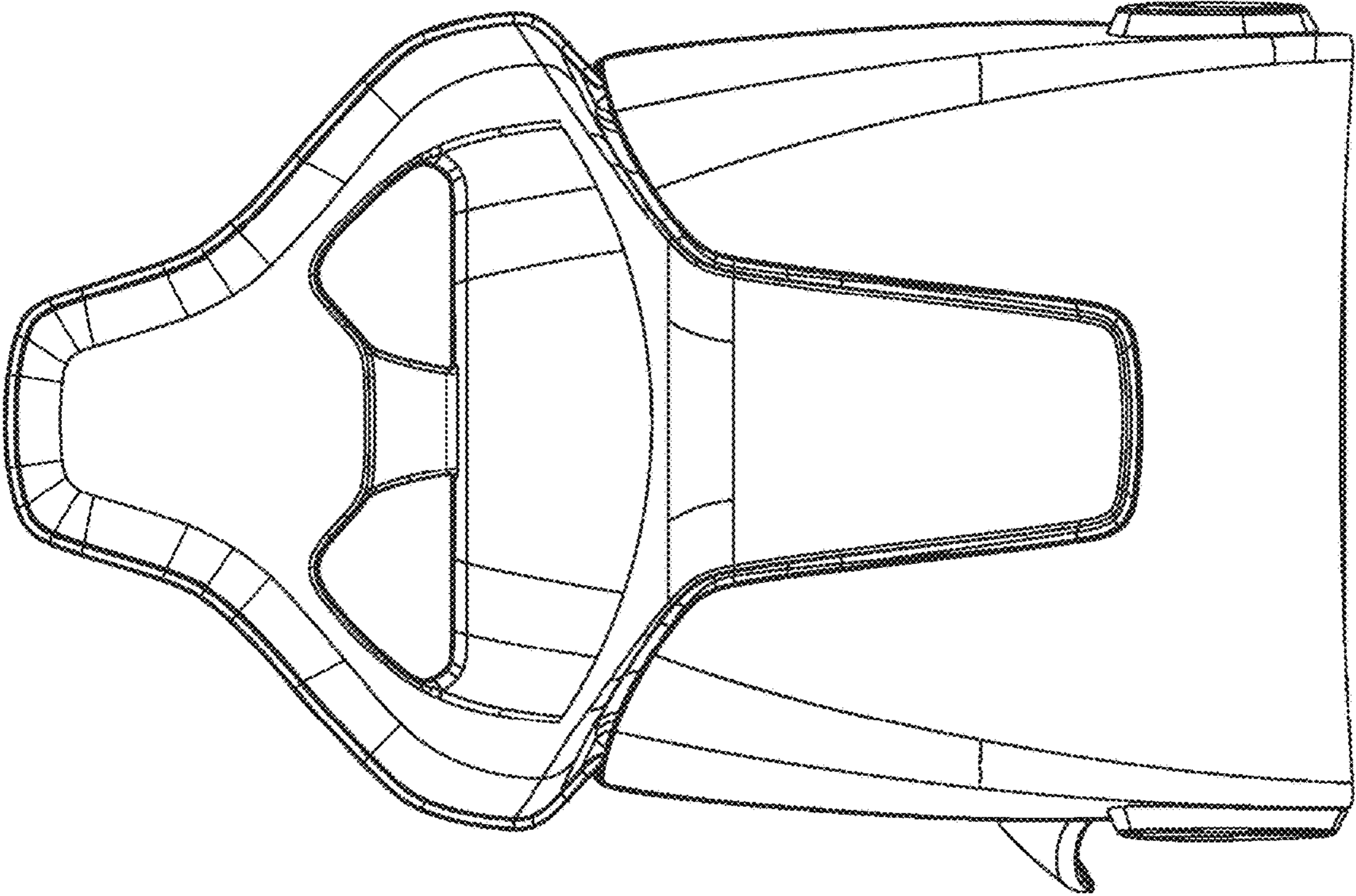


FIG. 1

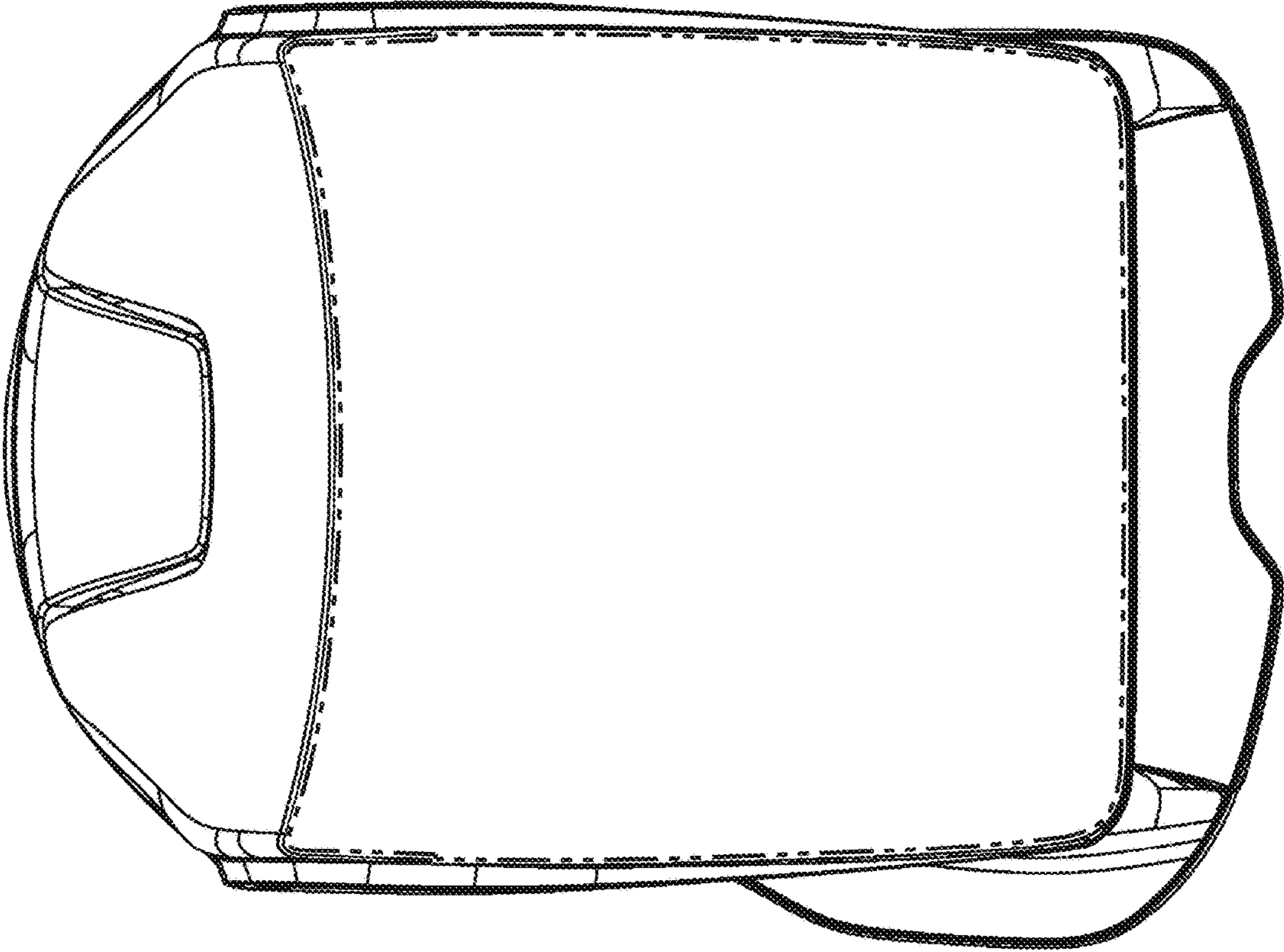


FIG. 2

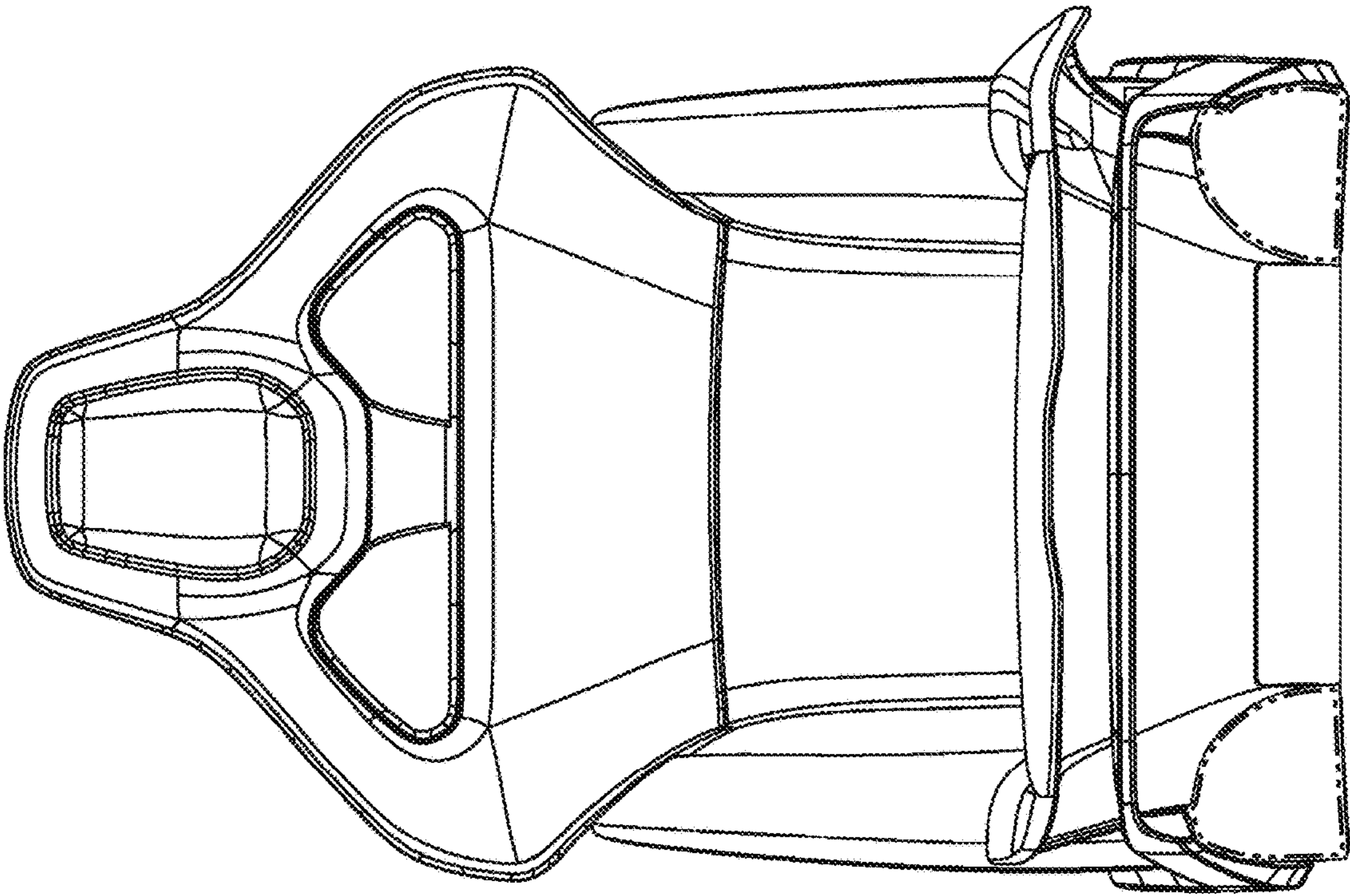


FIG. 3

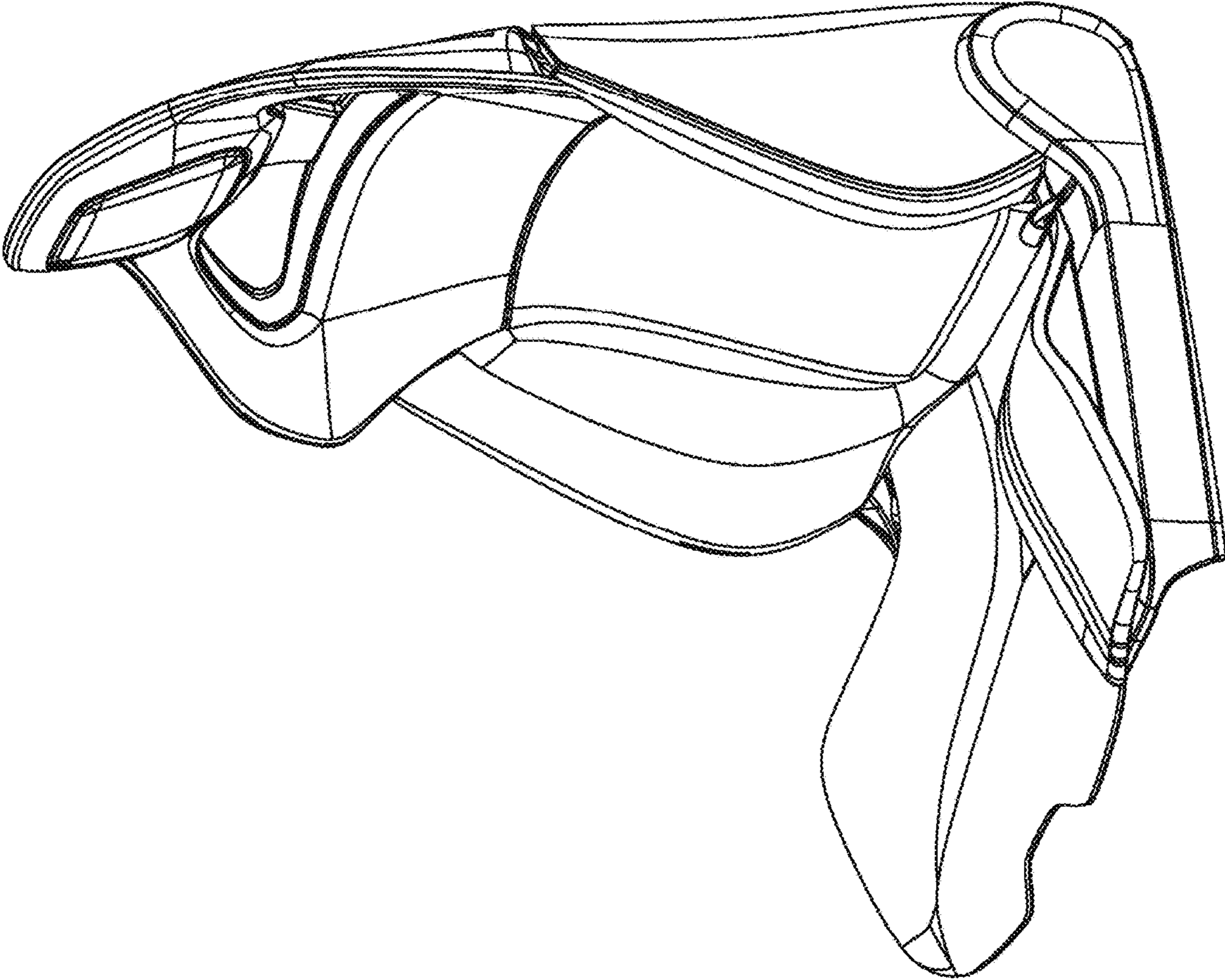


FIG. 4

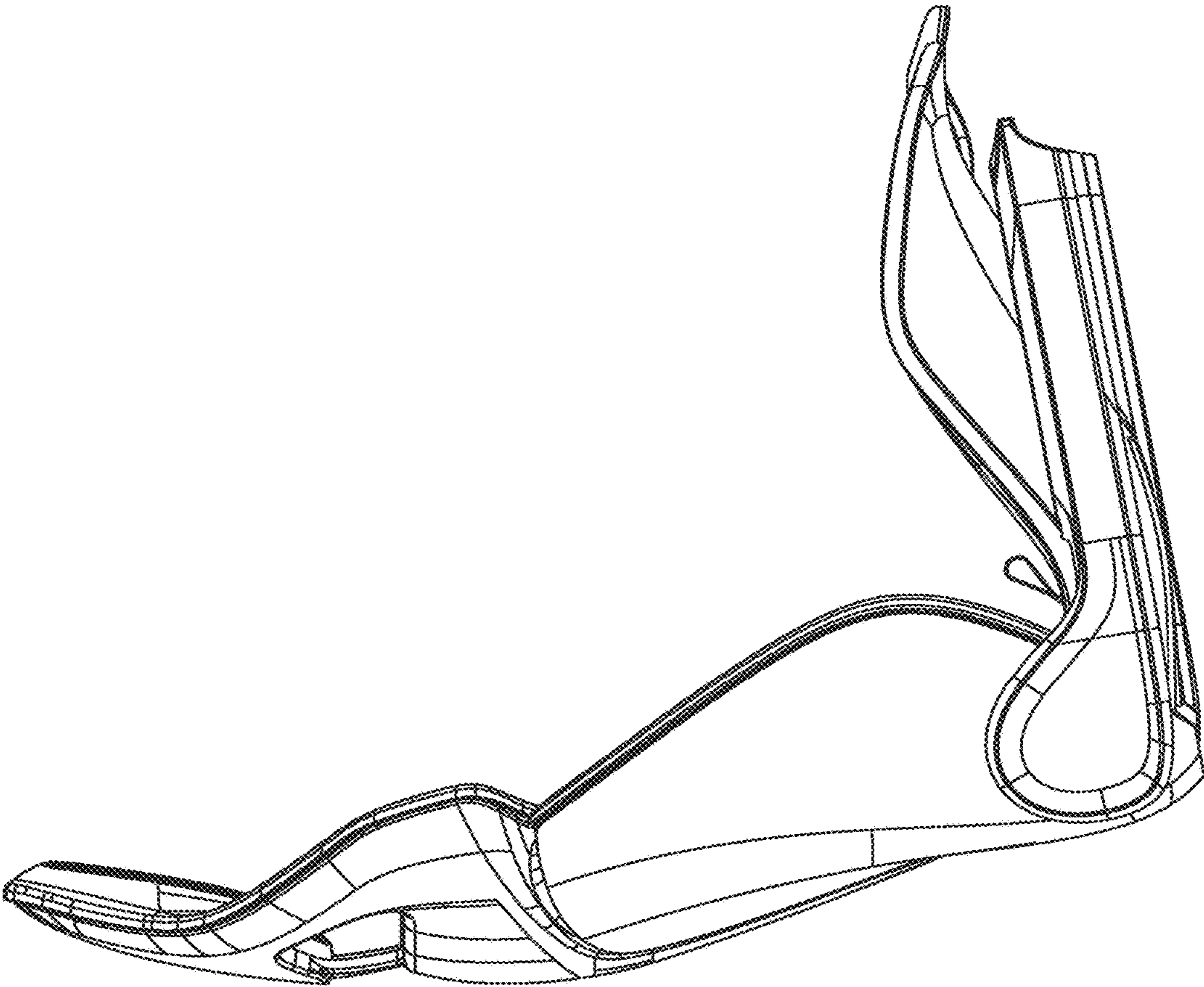


FIG. 5

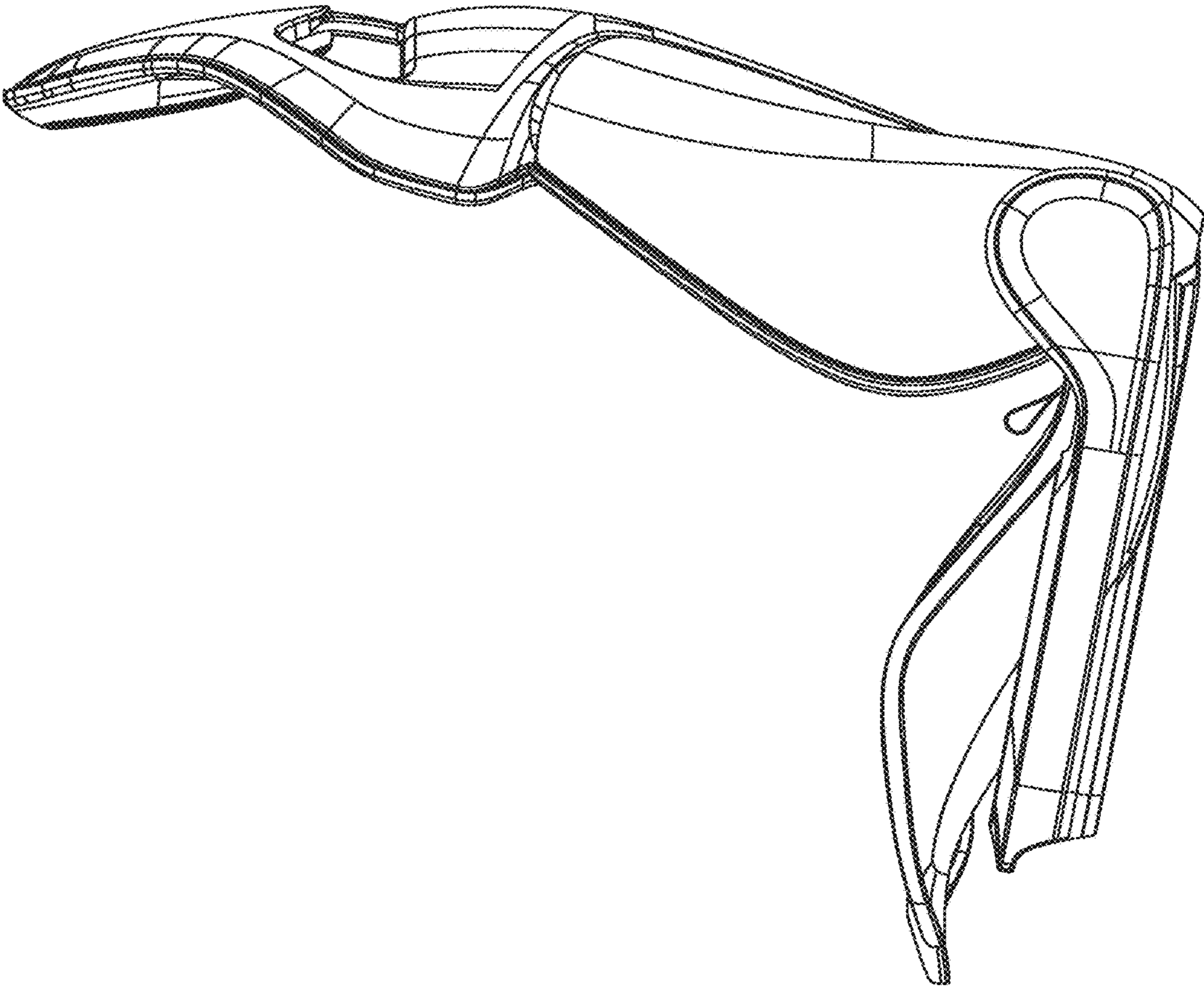


FIG. 6

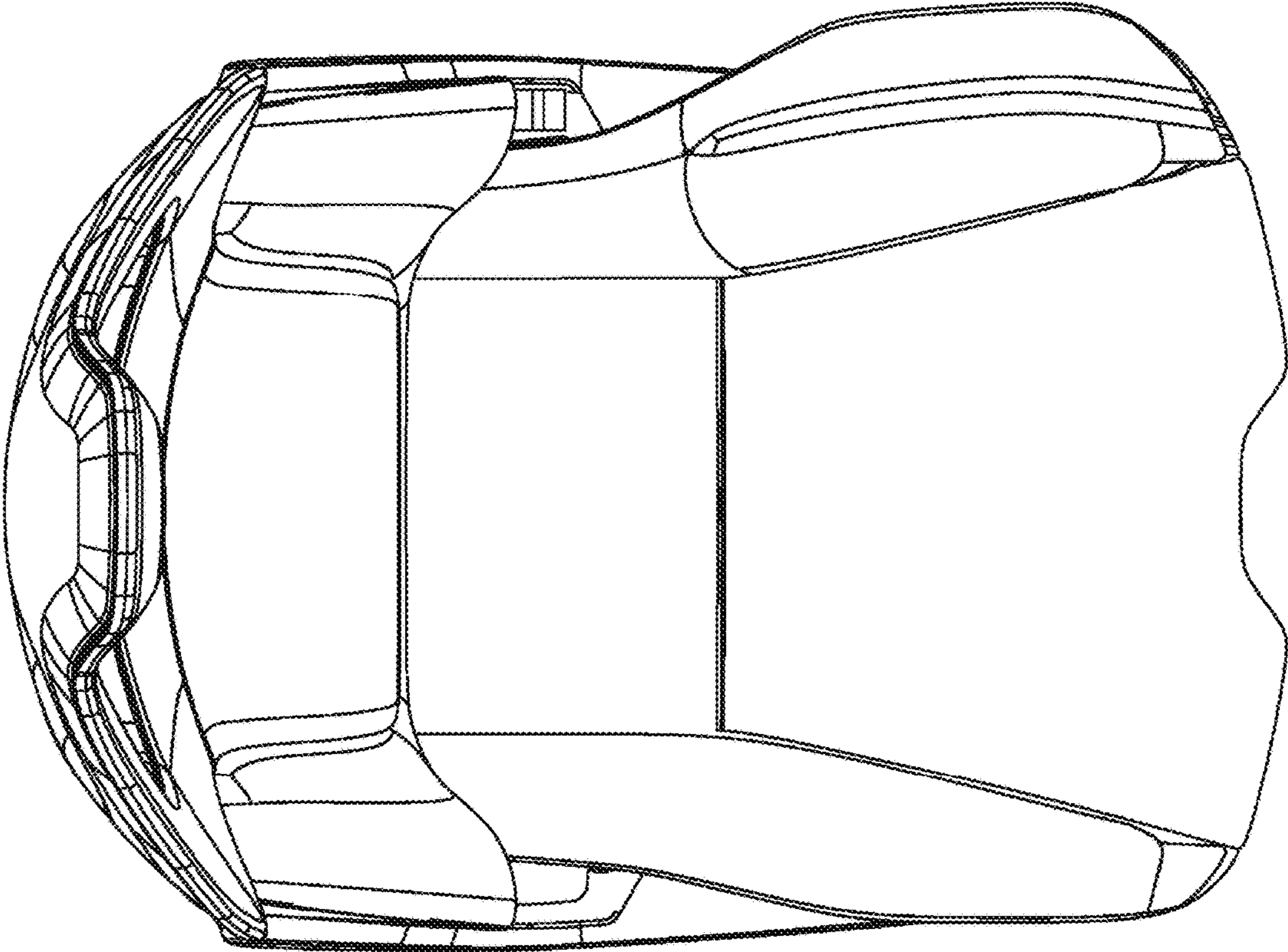


FIG. 7