



US00D913709S

(12) **United States Design Patent**  
**Baylor**

(10) **Patent No.:** **US D913,709 S**  
(45) **Date of Patent:** **\*\* Mar. 23, 2021**

- (54) **FOLDABLE KNEELING PAD**
  - (71) Applicant: **Adrienne Baylor**, Clinton, MD (US)
  - (72) Inventor: **Adrienne Baylor**, Clinton, MD (US)
  - (\*\*) Term: **15 Years**
  - (21) Appl. No.: **29/704,184**
  - (22) Filed: **Sep. 3, 2019**
  - (51) **LOC (13) Cl.** ..... **06-06**
  - (52) **U.S. Cl.**  
USPC ..... **D6/330**
  - (58) **Field of Classification Search**  
USPC ..... D6/381, 335-337, 349-355, 330, 367,  
D6/369-370, 364; 5/12.1;  
297/16.1-16.2, 451.9, 452.11, 452.63,  
297/423.1, 423.16, 461, 423.11, 445.1,  
297/462, 46, 135, 140, 158.3; D99/25,  
D99/99  
CPC .... A47C 4/00; A47C 4/02; A47C 9/00; A47C  
9/02; A47C 9/002; A47C 9/007; A47C  
9/025; A47C 13/00; A47C 11/00; A47C  
11/02; A47G 33/00; A47G 33/008; A47G  
33/02; A47B 3/10; A47B 3/14; A47B  
3/087; A47B 3/00; A47B 3/002; A47B  
3/008; A47B 3/02
- See application file for complete search history.

- D510,485 S \* 10/2005 Selby ..... D6/330
- 7,246,391 B2 7/2007 Brown
- D652,664 S \* 1/2012 Nickerson ..... D6/601
- 8,286,286 B2 10/2012 Al-Saif
- 8,759,235 B2 6/2014 Sabry
- D823,010 S \* 7/2018 Razon ..... D6/330
- D883,681 S \* 5/2020 Huang ..... D6/330

\* cited by examiner

*Primary Examiner* — Abraham Bahta  
(74) *Attorney, Agent, or Firm* — Boudwin Intellectual  
Property; Daniel Boudwin

- (56) **References Cited**  
**U.S. PATENT DOCUMENTS**  
2,041,196 A 5/1936 Liska  
6,578,217 B1 6/2003 Roberson

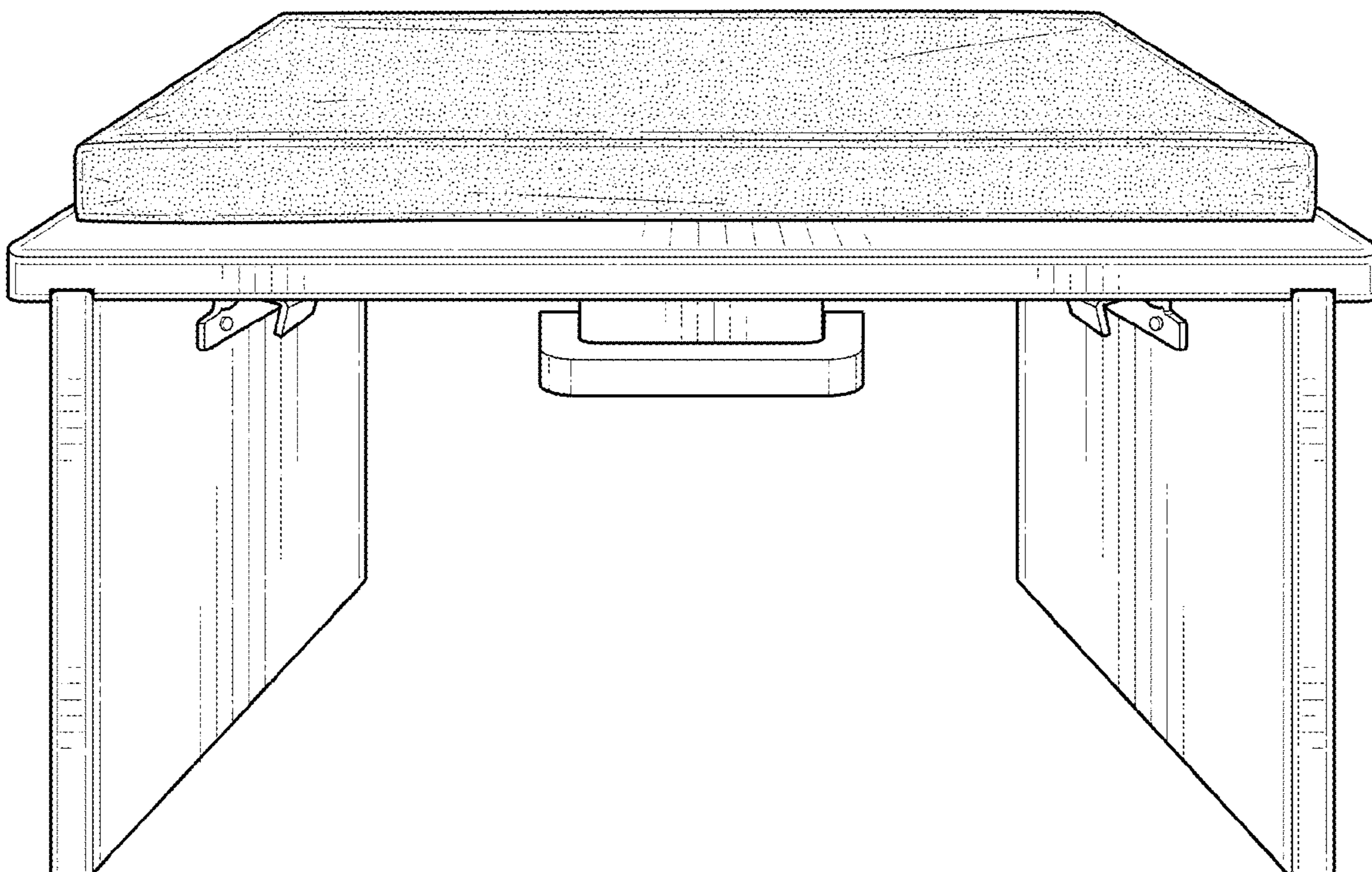
(57) **CLAIM**

The ornamental design for a foldable kneeling pad, as shown and described.

**DESCRIPTION**

FIG. 1 is a perspective view of a foldable kneeling pad, showing my new design; FIG. 2 is a front elevation view thereof; FIG. 3 is a rear elevation view thereof; FIG. 4 is a left elevation view thereof; FIG. 5 is a right elevation view thereof; FIG. 6 is a top plan view thereof; and, FIG. 7 is a bottom plan view thereof. The straight-line surface shading and stippling in the Figures show contour and not surface ornamentation.

**1 Claim, 4 Drawing Sheets**



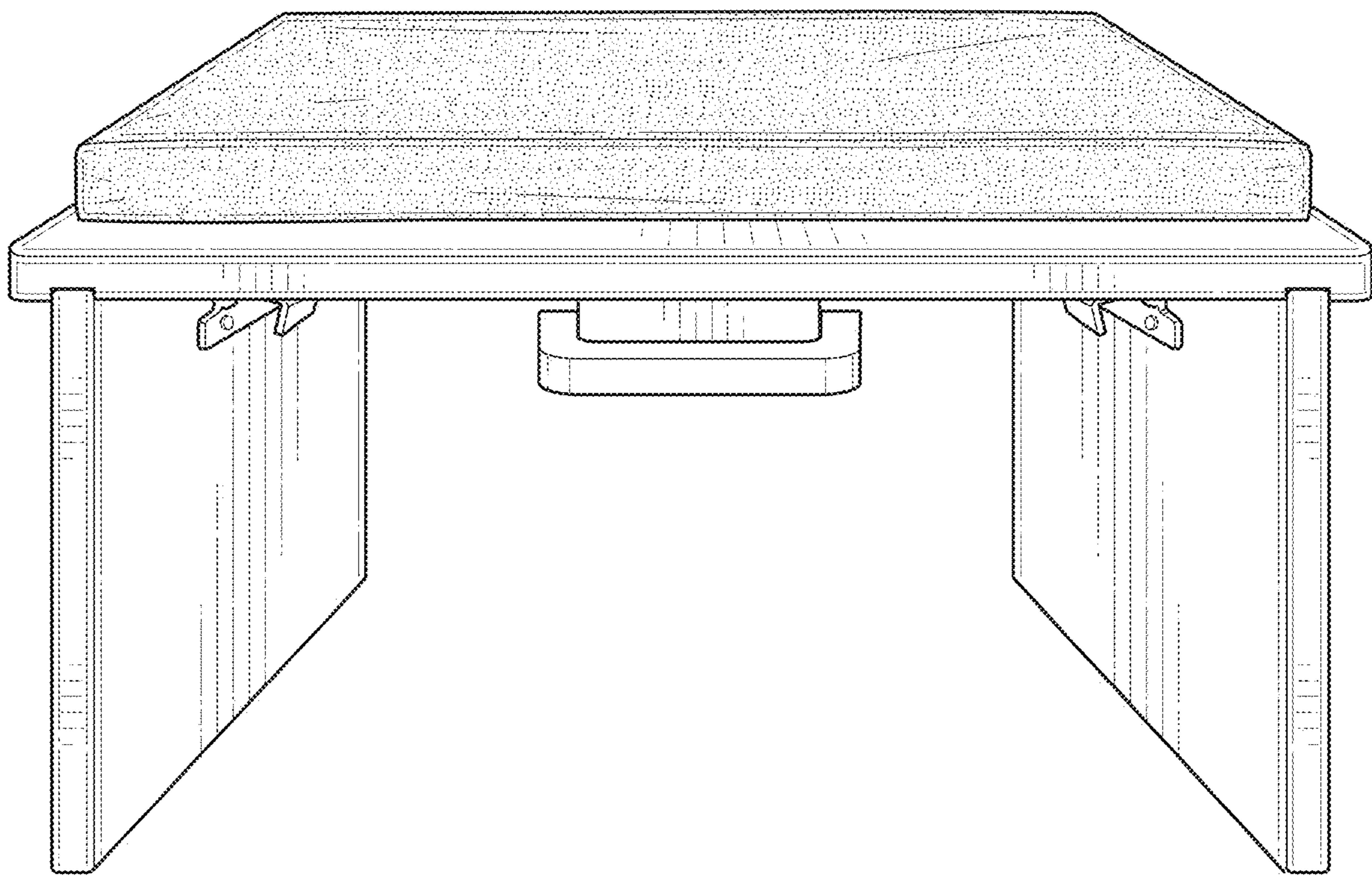


FIG. 1

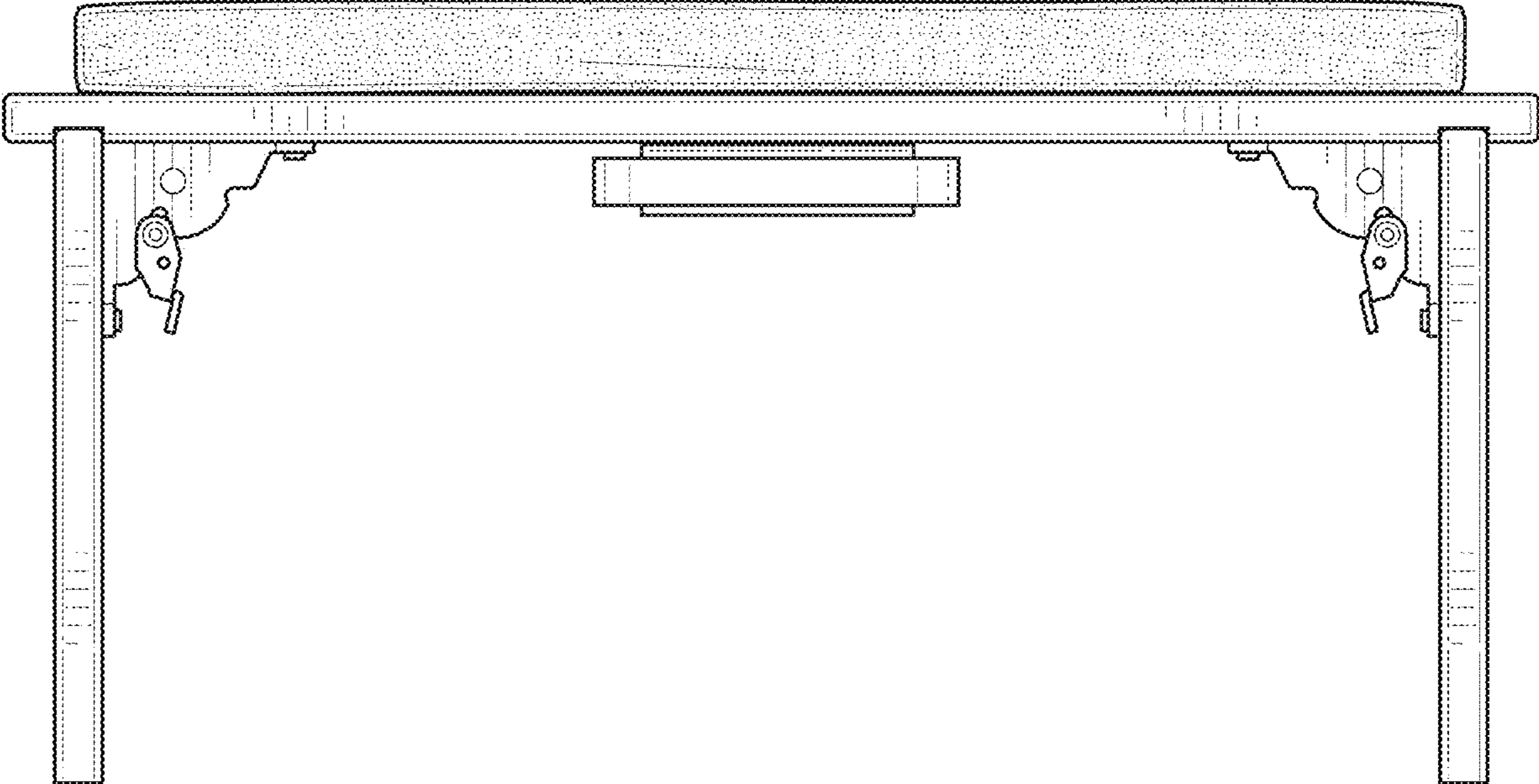


FIG. 2

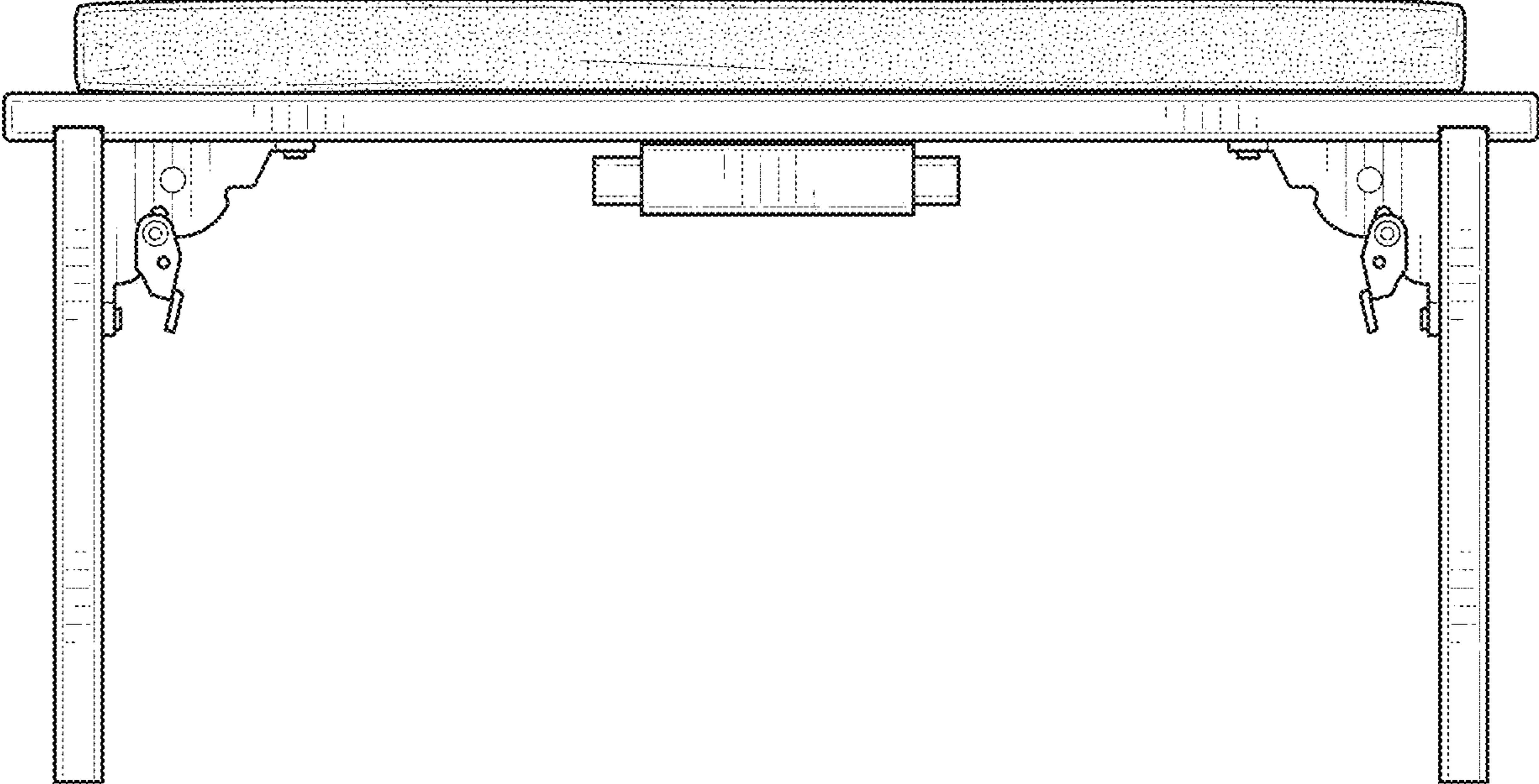
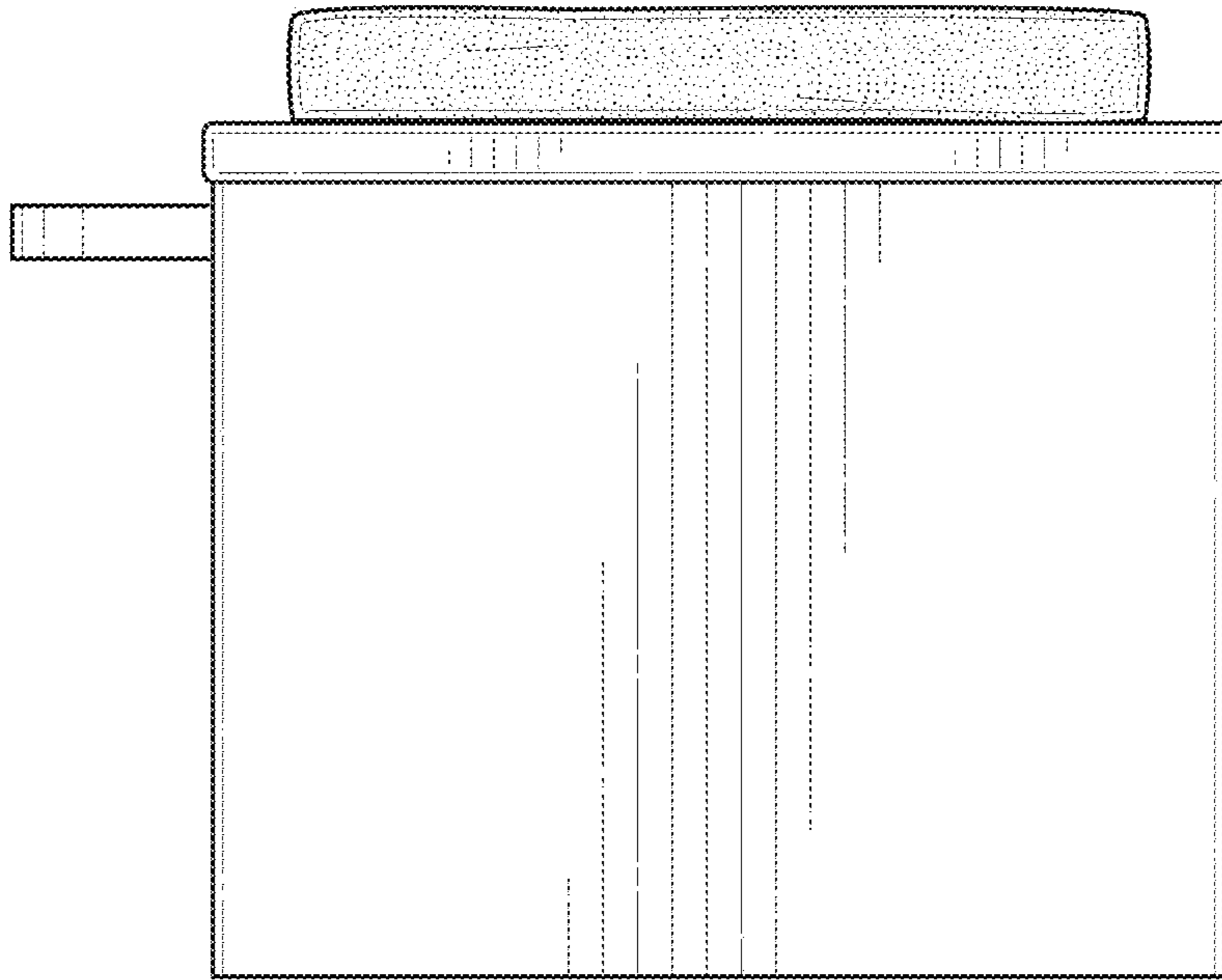
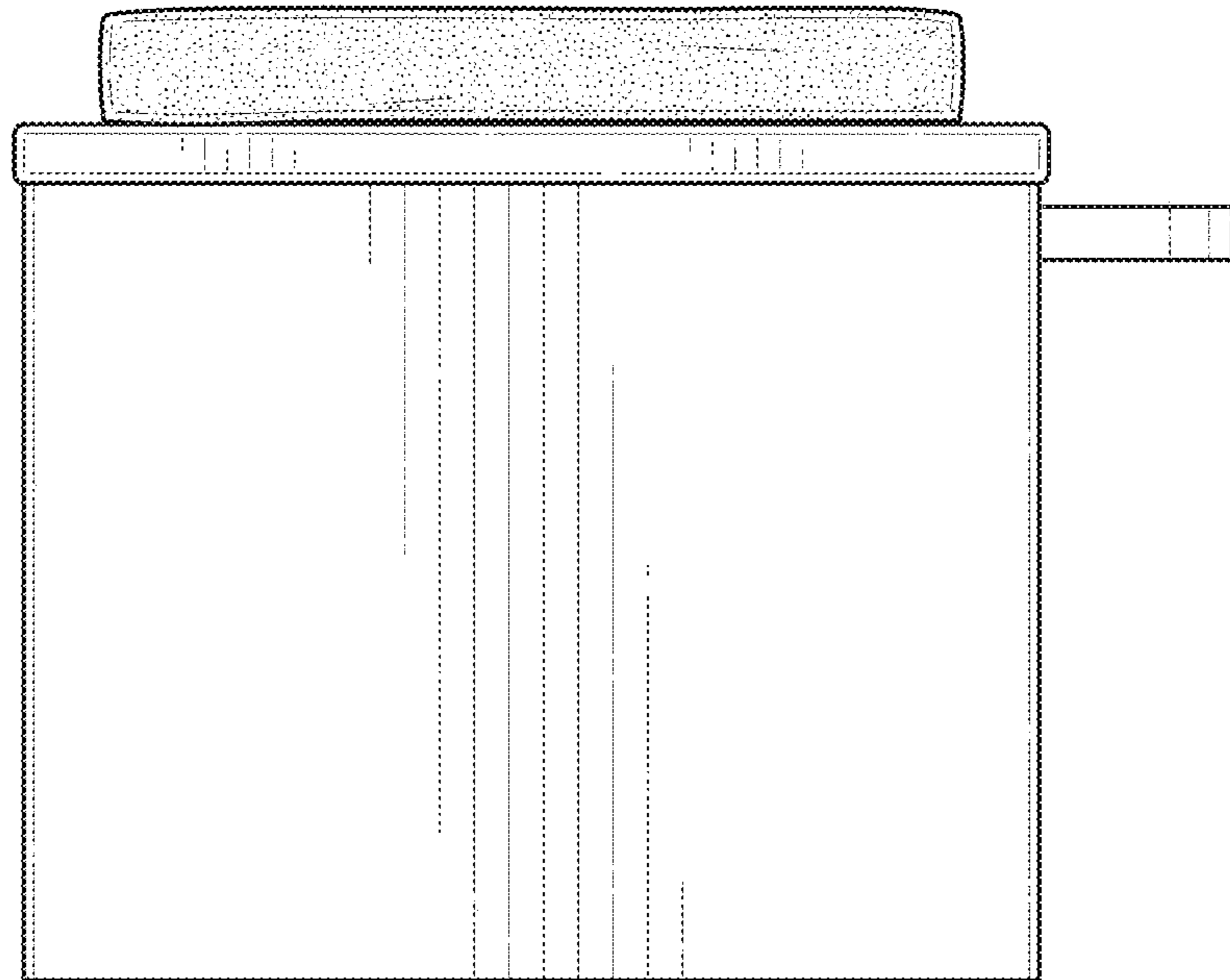


FIG. 3



**FIG. 4**



**FIG. 5**

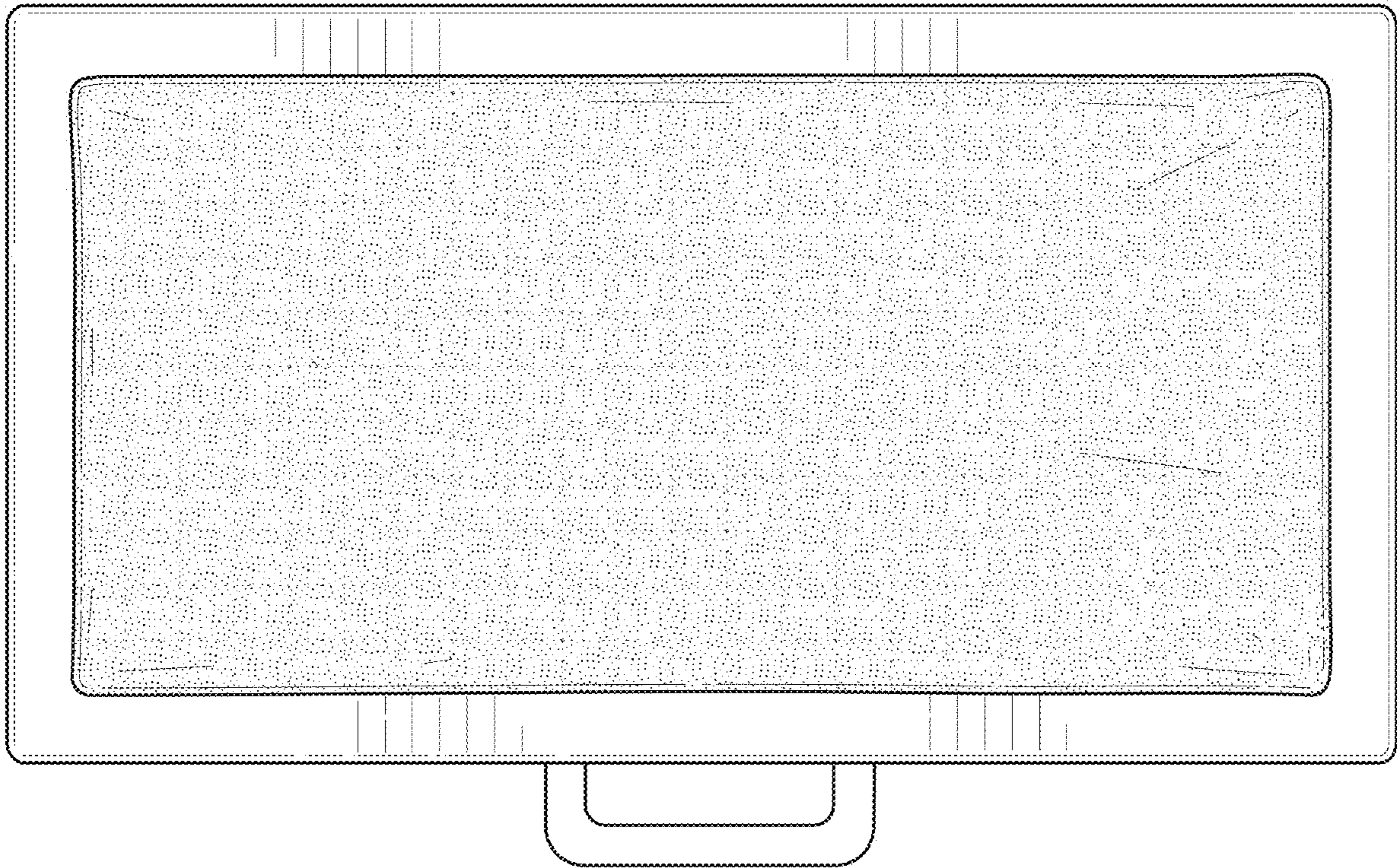


FIG. 6

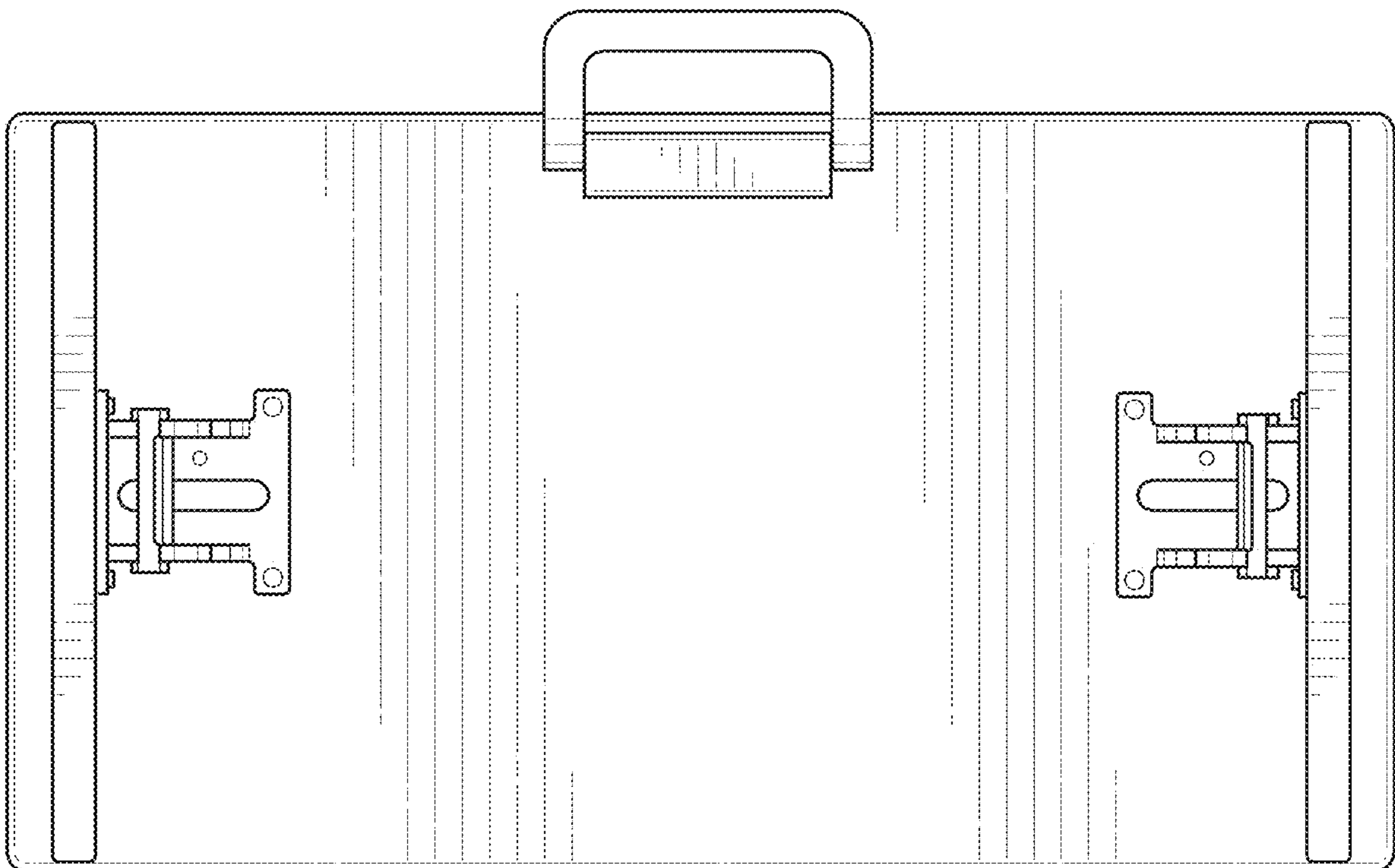


FIG. 7