



US00D913708S

(12) **United States Design Patent**
Theroux

(10) **Patent No.:** **US D913,708 S**

(45) **Date of Patent:** **** Mar. 23, 2021**

- (54) **WALL MOUNT COAT RACK**
- (71) Applicant: **Jason Theroux**, West Warwick, RI
(US)
- (72) Inventor: **Jason Theroux**, West Warwick, RI
(US)
- (**) Term: **15 Years**
- (21) Appl. No.: **29/669,542**
- (22) Filed: **Nov. 8, 2018**
- (51) **LOC (13) Cl.** **06-08**
- (52) **U.S. Cl.**
USPC **D6/320; D6/567**
- (58) **Field of Classification Search**
USPC D6/315-328, 512, 513, 552, 553, 567;
D8/372
CPC A47G 25/14; A47G 25/28; A47G 25/26;
A47G 25/30; A47G 25/36; A47G 25/50;
A47G 25/442; A47G 25/483; A47G
25/743; A47G 25/4023; A47F 5/0006
See application file for complete search history.

- D553,960 S * 10/2007 Schmidt D8/372
- 8,308,116 B2 * 11/2012 Daniels A47G 25/0678
211/106.01
- D706,614 S * 6/2014 Schraufnagel D8/372
- D751,372 S * 3/2016 Thompson D8/372
- 9,834,960 B2 * 12/2017 Chesterton E05B 73/0094
- 10,258,180 B2 * 4/2019 Malott A47G 29/00

* cited by examiner

Primary Examiner — Lauren R Calve

(74) *Attorney, Agent, or Firm* — Alan F. Feeney; Feeney
IP Law

(56) **References Cited**

U.S. PATENT DOCUMENTS

- D218,323 S * 8/1970 Uitz D6/320
- D444,377 S * 7/2001 Harvey D6/513
- D458,070 S * 6/2002 Bennett D6/567
- D458,789 S * 6/2002 Loika D6/552
- D473,455 S * 4/2003 Goodman D6/513

(57) **CLAIM**

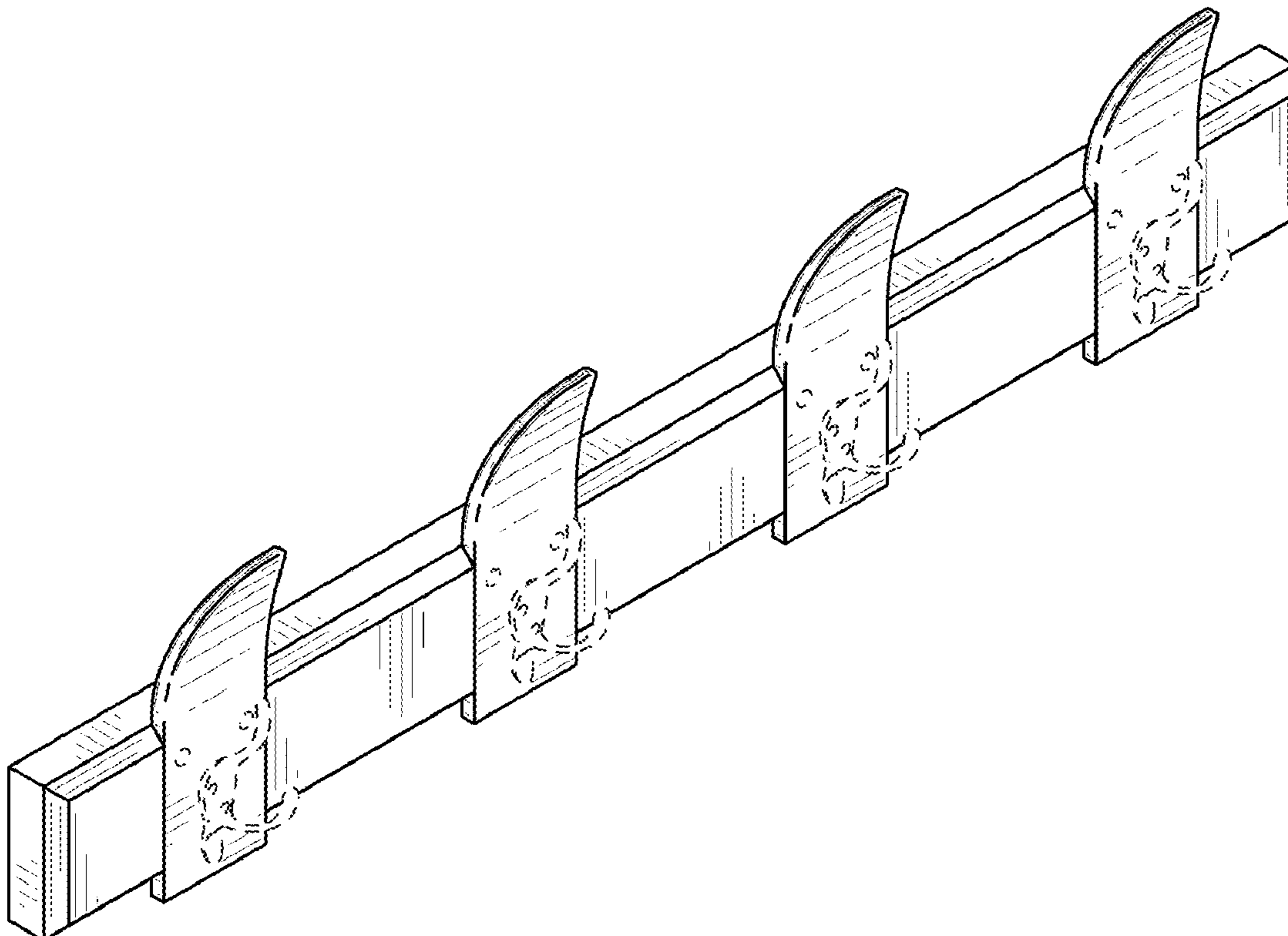
I claim the ornamental design for a wall mount coat rack, as shown and described.

DESCRIPTION

FIG. 1 is a top, front, left side perspective view of a wall mount coat rack showing my new design;
 FIG. 2 is a right side elevation view thereof;
 FIG. 3 is a front elevation view thereof;
 FIG. 4 is a left side elevation view thereof;
 FIG. 5 is a bottom plan elevation view thereof;
 FIG. 6 is a back elevation view thereof; and,
 FIG. 7 is a top plan view thereof.

The broken lines shown in the drawings are included for the purpose of illustrating portions of the article that form no part of the claimed design.

1 Claim, 3 Drawing Sheets



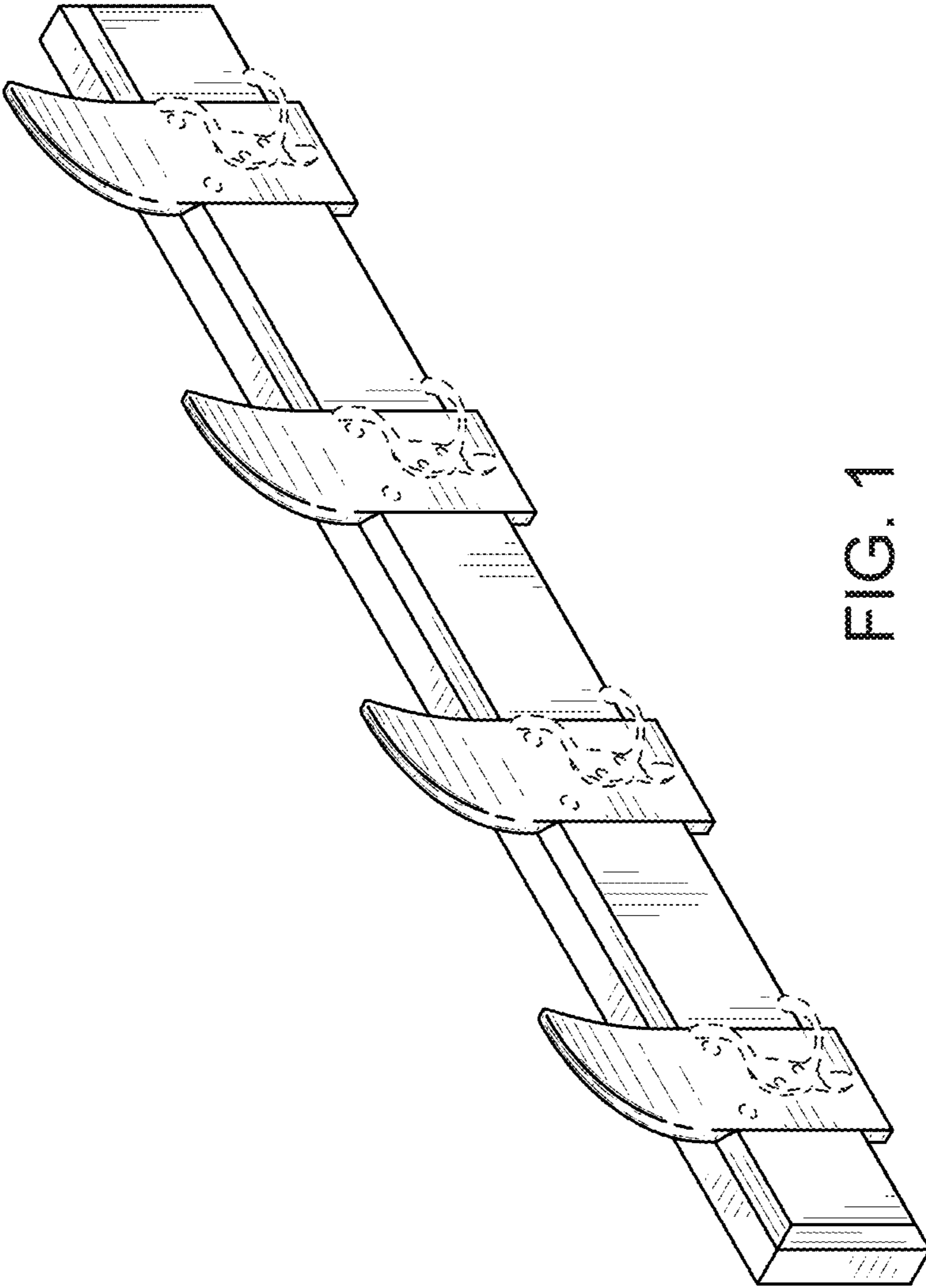
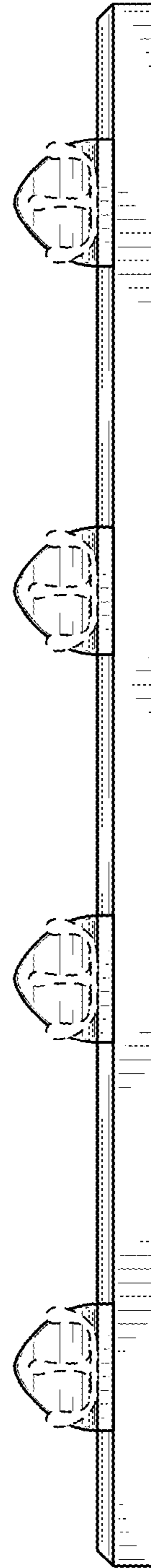
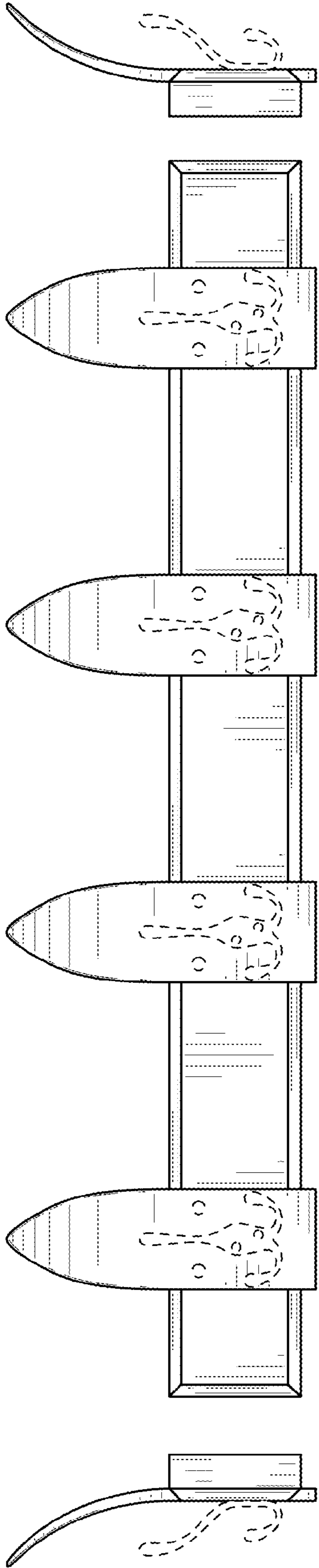


FIG. 1



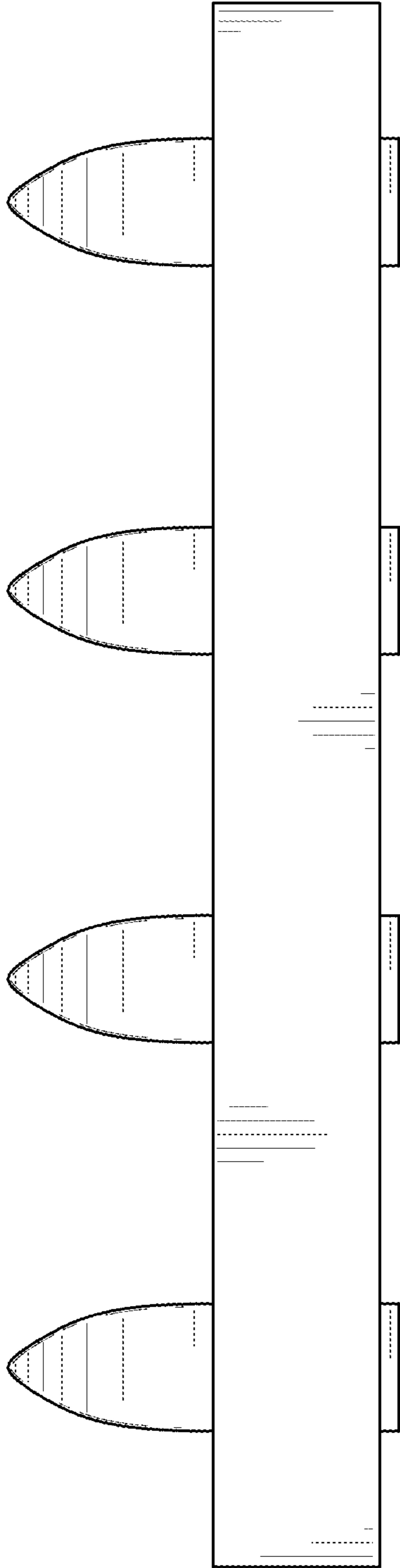


FIG. 6

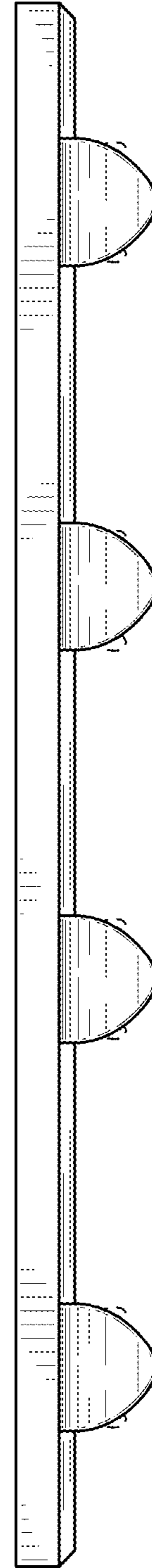


FIG. 7