

US00D913701S

(12) **United States Design Patent** (10) **Patent No.:** **US D913,701 S**
Rubel (45) **Date of Patent:** **** Mar. 23, 2021**

(54) **TOILET BRUSH**
(71) Applicant: **Michelle Rubel**, Encinitas, CA (US)
(72) Inventor: **Michelle Rubel**, Encinitas, CA (US)
(73) Assignee: **Michelle Rubel**, Encinitas, CA (US)
(**) Term: **15 Years**

D657,571 S * 4/2012 Mahiques D4/126
8,572,794 B2 * 11/2013 Pate A46B 9/04
15/167.1
9,820,560 B1 * 11/2017 Crowley A46B 5/04
D831,361 S * 10/2018 Mahiques D4/126
D833,754 S * 11/2018 Mahiques D4/126
D836,919 S * 1/2019 Cooper D4/128
D864,585 S * 10/2019 Siragusa D4/128
D878,058 S * 3/2020 Luo D4/132
D889,132 S * 7/2020 Kuang D4/116

* cited by examiner

(21) Appl. No.: **29/672,311**
(22) Filed: **Dec. 4, 2018**
(51) **LOC (13) Cl.** **04-99**
(52) **U.S. Cl.**
USPC **D4/126**
(58) **Field of Classification Search**
USPC D4/126, 132, 119, 107, 116, 128, 138,
D4/124, 121; D21/632
CPC A46B 13/06; A61B 17/32
See application file for complete search history.

Primary Examiner — Rhea Shields
(74) *Attorney, Agent, or Firm* — Fish IP Law, LLP

(57) **CLAIM**

The ornamental design for a toilet brush, as shown and described.

DESCRIPTION

(56) **References Cited**

U.S. PATENT DOCUMENTS

D266,035 S * 9/1982 Thompson D4/128
D281,743 S * 12/1985 Thompson D4/121
D318,955 S * 8/1991 Brown D4/124
6,154,913 A * 12/2000 Burton A47K 11/10
15/160
D448,176 S * 9/2001 Petner D4/119
D468,112 S * 1/2003 Libman D4/138
D468,539 S * 1/2003 Petner D4/119
D485,074 S * 1/2004 Berde D21/632
D485,076 S * 1/2004 Abrams D4/126
D548,975 S * 8/2007 Whalley D4/107
D581,676 S * 12/2008 Libman D4/128

FIG. 1 is a bottom, front, left side perspective view of a toilet brush.

FIG. 2 is a front elevation view of the brush of FIG. 1.

FIG. 3 is a rear elevation view of the brush of FIG. 1.

FIG. 4 is a left side elevation view of the brush of FIG. 1.

FIG. 5 is a right side elevation view of the brush of FIG. 1.

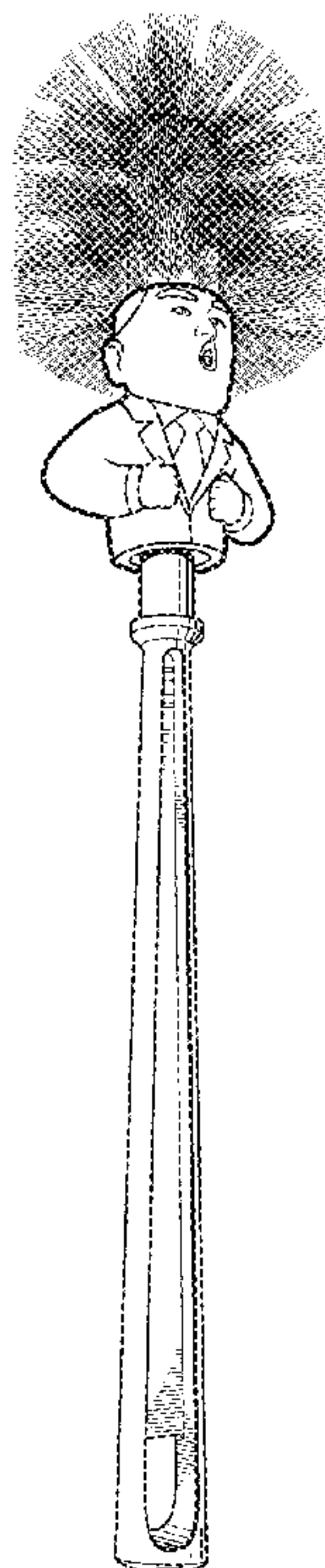
FIG. 6 is a top plan view of the brush of FIG. 1.

FIG. 7 is a bottom plan view of the brush of FIG. 1; and,

FIG. 8 is another perspective view thereof; shown in an environment.

In FIG. 8, the broken lines are for the purpose of illustrating environment only and form no part of the claimed design.

1 Claim, 4 Drawing Sheets



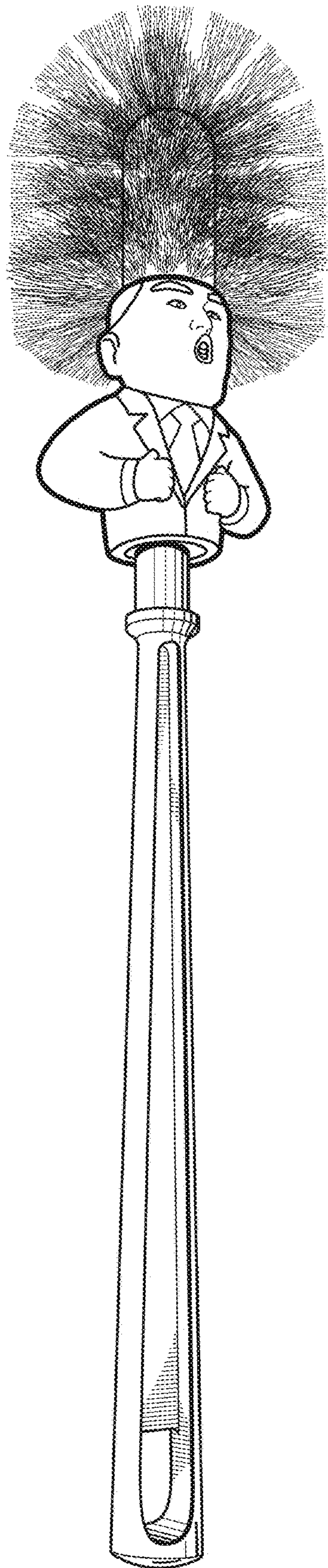


FIG. 1

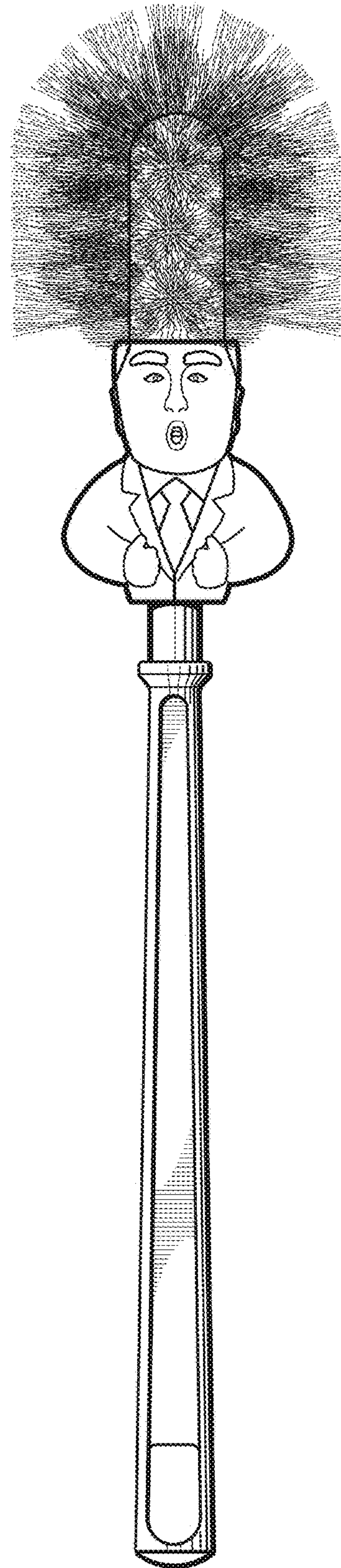


FIG. 2

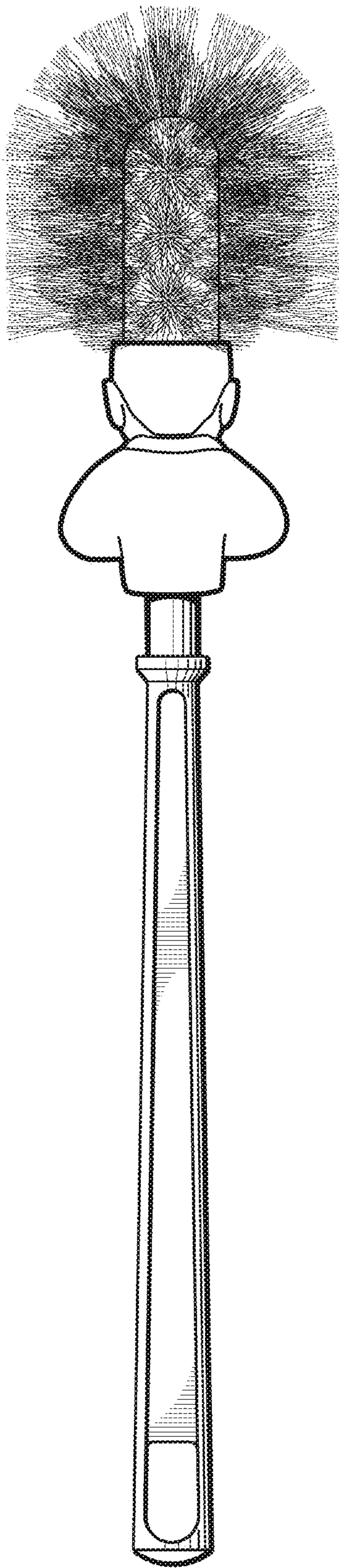


FIG. 3

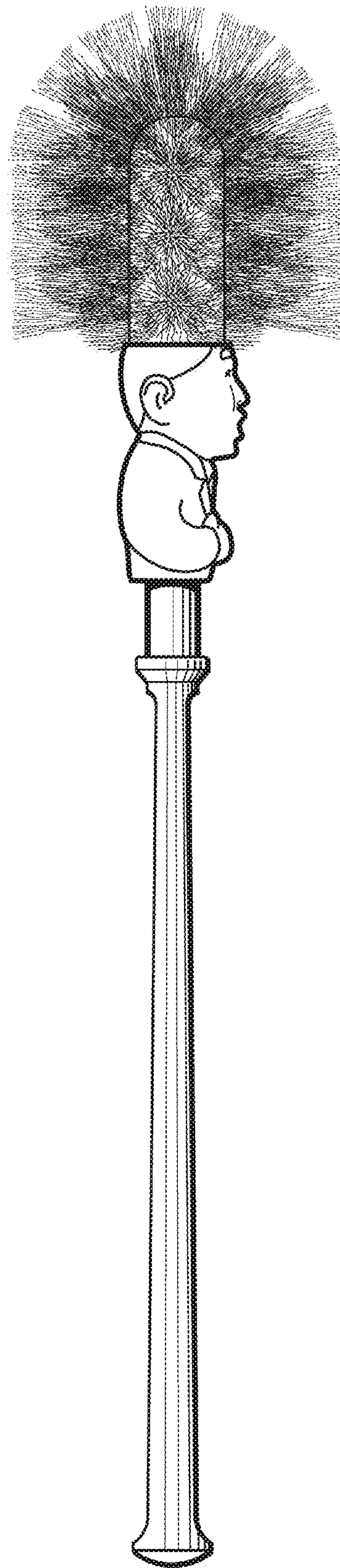


FIG. 4

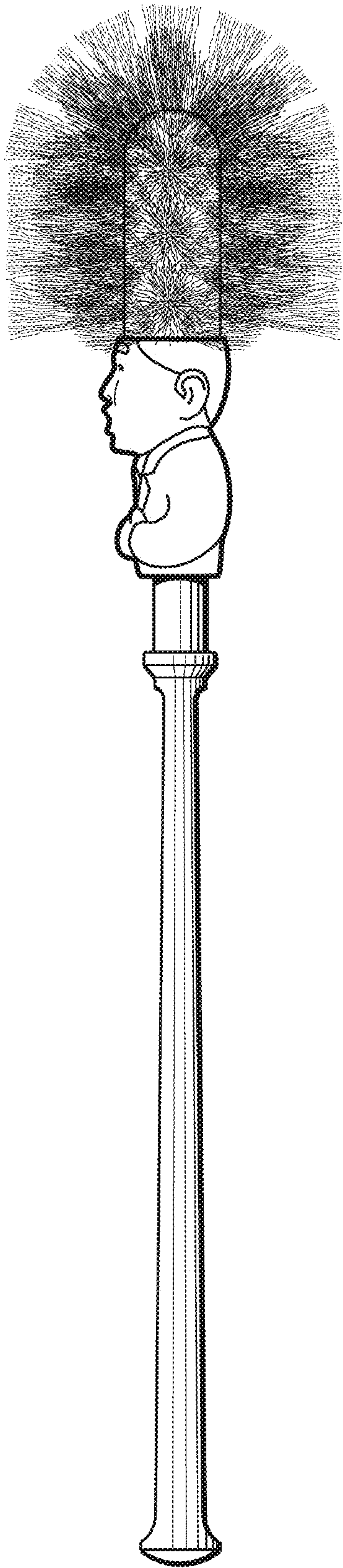


FIG. 5

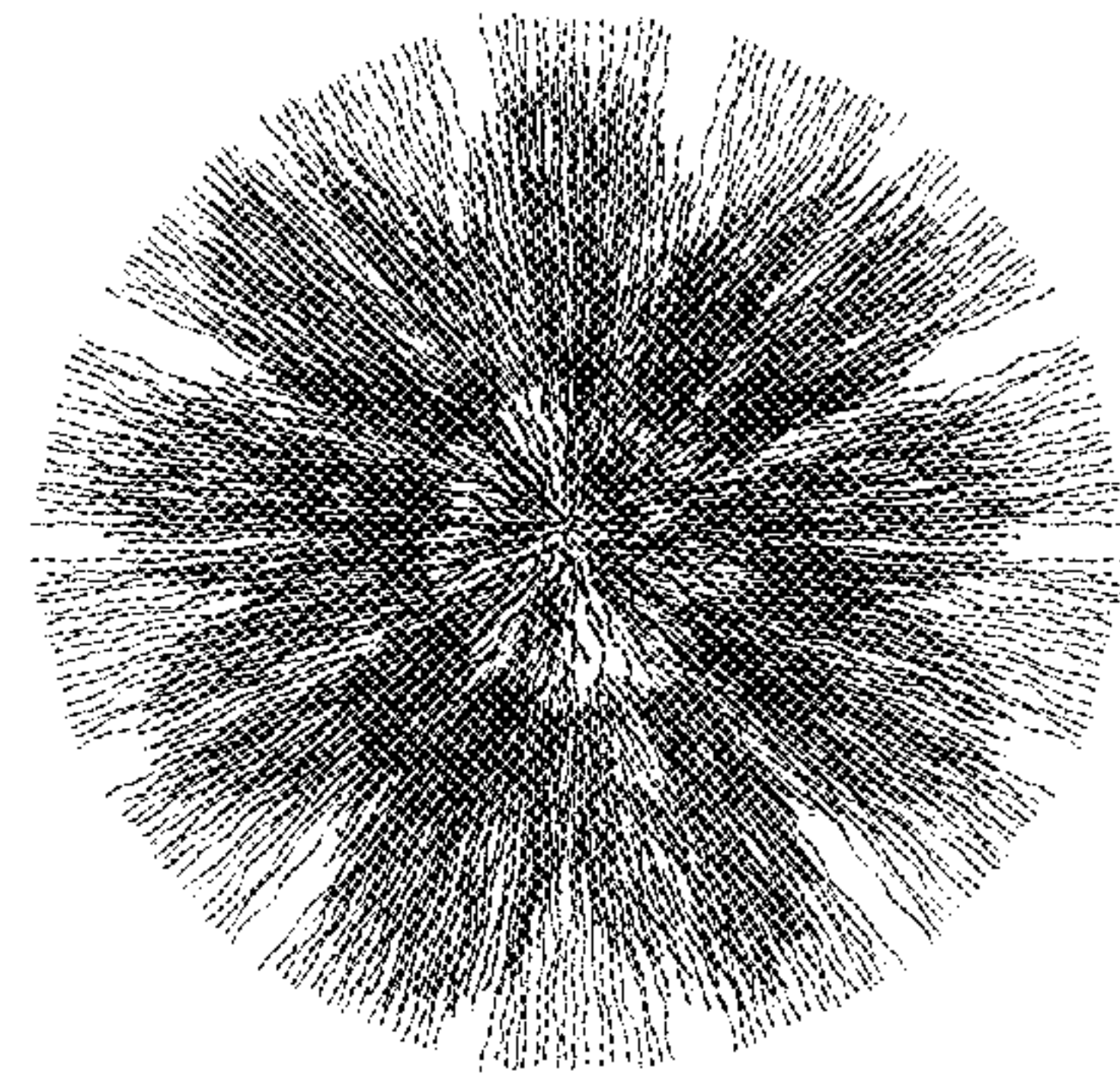


FIG. 6

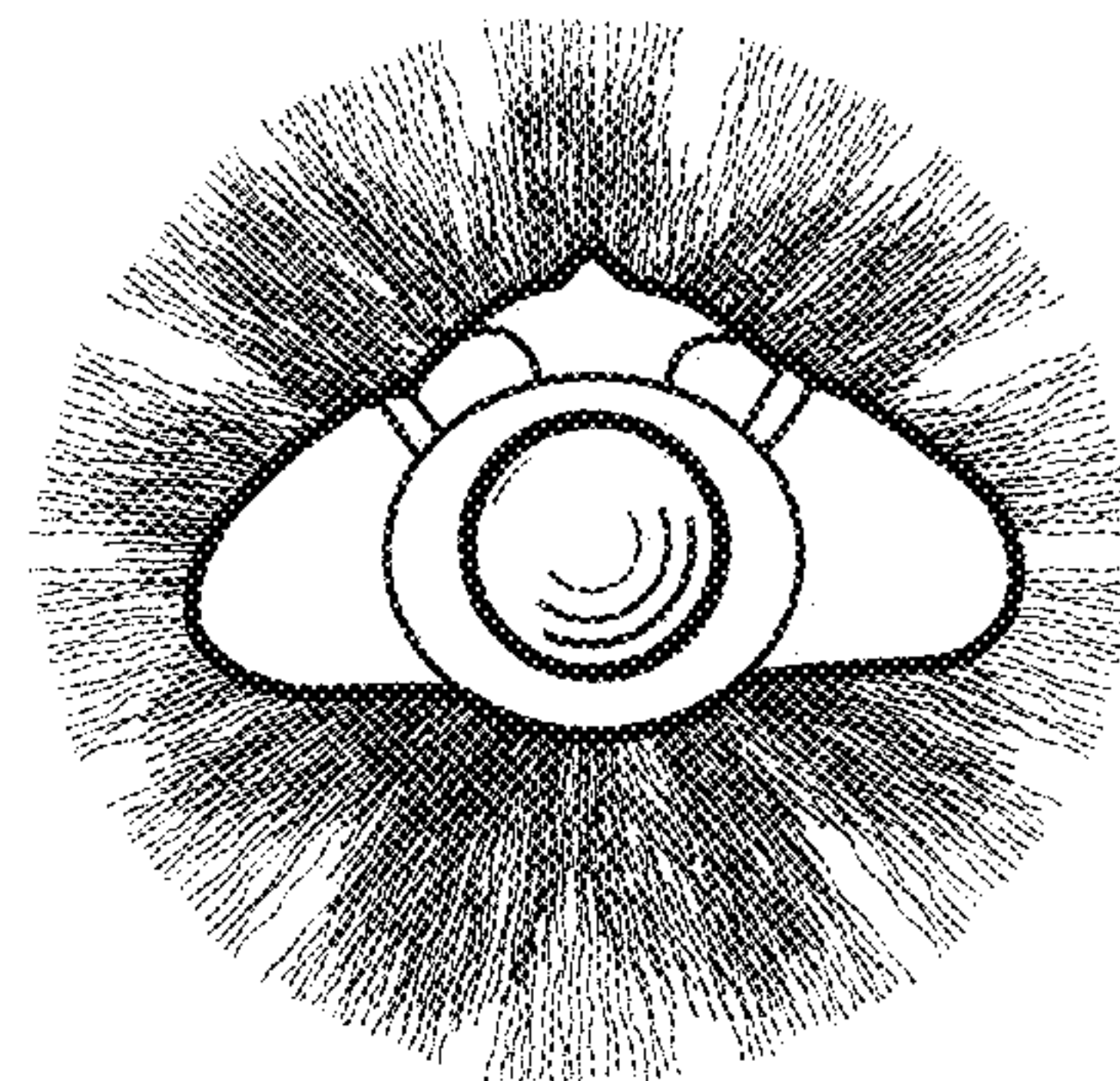


FIG. 7

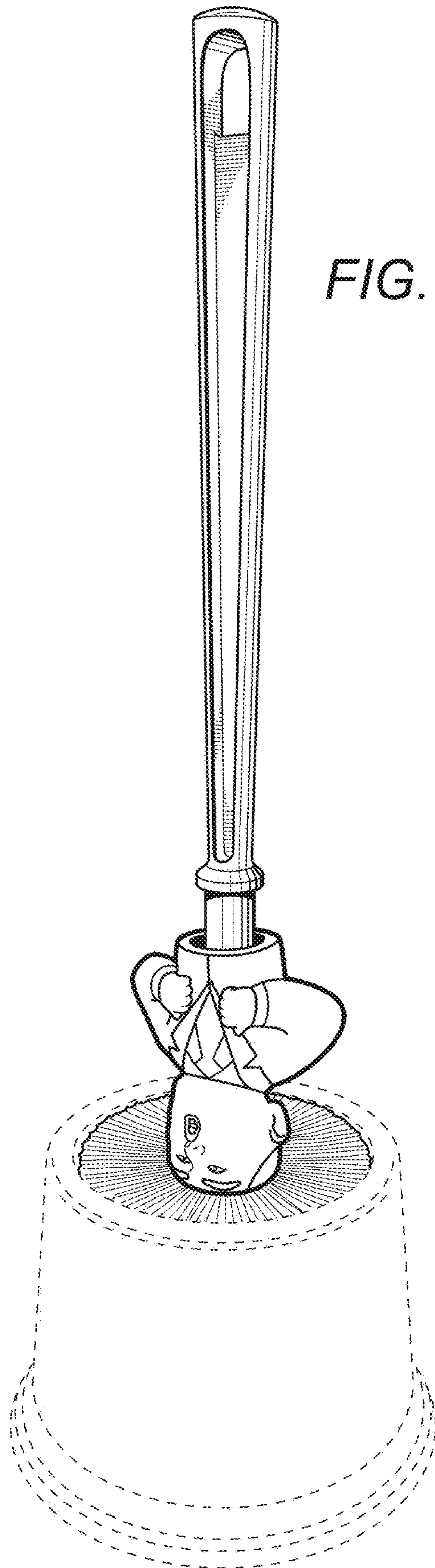


FIG. 8