



US00D913699S

(12) **United States Design Patent**
Hurtado

(10) **Patent No.:** **US D913,699 S**

(45) **Date of Patent:** **** Mar. 23, 2021**

(54) **SKINCARE TOOL**

(71) Applicant: **Gabriela Alysse Hurtado**, San Antonio, TX (US)

(72) Inventor: **Gabriela Alysse Hurtado**, San Antonio, TX (US)

(**) Term: **15 Years**

(21) Appl. No.: **29/660,341**

(22) Filed: **Aug. 20, 2018**

(51) **LOC (13) Cl.** **04-01**

(52) **U.S. Cl.**
USPC **D4/120**

(58) **Field of Classification Search**
USPC D4/120, 119, 127, 134, 101, 118, 135, D4/137, 121, 116; D8/47; D28/7, 57, 56
CPC A61F 13/124; A46B 9/02; A46B 3/04; A46B 1/00; A46B 5/02; A45D 40/262; A61H 15/02

See application file for complete search history.

(56) **References Cited**

U.S. PATENT DOCUMENTS

1,478,388	A	12/1923	Dorothy	
3,111,699	A *	11/1963	Comeau	A46B 3/04 15/159.1
4,463,485	A *	8/1984	Gueret	A46B 1/00 601/137
4,770,195	A	9/1988	Dore	
5,131,384	A *	7/1992	Obagi	A61H 15/02 401/28
5,269,037	A	12/1993	White	
5,430,905	A *	7/1995	Curtin	A46B 9/02 132/73.5
D378,026	S *	2/1997	Balazs	D28/7
5,843,005	A	12/1998	Chubinsky	
D433,537	S *	11/2000	Schoon	D28/56
D469,180	S *	1/2003	Mark	D24/119
D474,032	S *	5/2003	Jørgensen	D4/119
D525,840	S *	8/2006	Bruce	D8/47

7,185,385	B2	3/2007	Kohler et al.	
7,219,801	B2 *	5/2007	Christian	A45D 40/262 132/218
7,361,153	B1	4/2008	Martin	
D594,234	S *	6/2009	Harper	D28/57
D667,166	S *	9/2012	Strube	D28/7
D667,560	S	9/2012	Caggiano et al.	
D701,600	S	3/2014	Kauffman	
D738,628	S *	9/2015	Krohmer	D4/118

(Continued)

OTHER PUBLICATIONS

Sephora, Sephora Collection Face Mask Applicator, <https://www.sephora.com/product/face-mask-applicator-P432705>. Jul. 2018, Internet Publication.

Primary Examiner — Rhea Shields

(74) *Attorney, Agent, or Firm* — Volk & McElroy, LLP; Michael D. Volk, Jr.

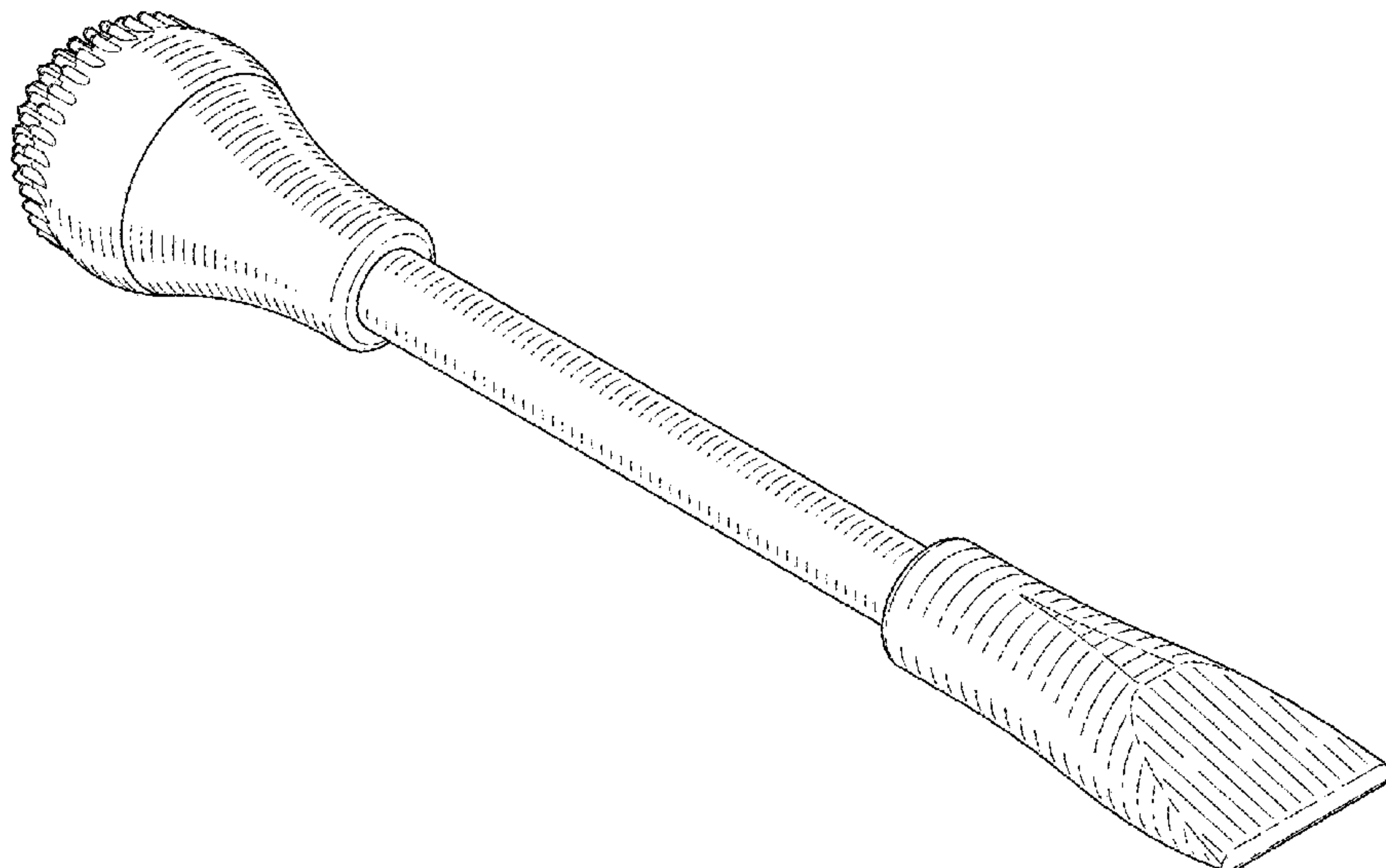
(57) **CLAIM**

The ornamental design for a skincare tool, as shown and described.

DESCRIPTION

FIG. 1 is a perspective view of a skincare tool showing my new design;
FIG. 2 is another perspective view thereof;
FIG. 3 is a right side view thereof. The left side view is the same as the right side view;
FIG. 4 is a front view thereof. The rear view is the same as the front view;
FIG. 5 is a top view thereof;
FIG. 6 is a bottom view thereof;
FIG. 7 is a perspective view of a second embodiment of a skincare tool showing my new design; and,
FIG. 8 is another perspective view thereof.
The broken lines in the drawings depict features that form no part of the claimed design.

1 Claim, 6 Drawing Sheets



(56)

References Cited

U.S. PATENT DOCUMENTS

D757,441 S * 5/2016 Hwang D4/127
 9,326,644 B2 * 5/2016 Makar A61F 13/124
 D774,772 S * 12/2016 Sedic D4/101
 D778,064 S * 2/2017 Owen D4/127
 D781,592 S 3/2017 Kaicker et al.
 D787,835 S * 5/2017 Lim D4/135
 D792,672 S * 7/2017 Desanti D32/42
 D798,063 S * 9/2017 Grund D4/120
 D800,457 S * 10/2017 Kaicker D4/138
 D803,572 S 11/2017 Nichols
 D804,189 S 12/2017 Berg
 D807,043 S * 1/2018 Grund D4/120
 D810,447 S 2/2018 Dandridge et al.
 D818,275 S * 5/2018 Grund D4/120
 D820,601 S * 6/2018 Sanghi D4/135
 D823,003 S * 7/2018 Lafortune D4/117
 D823,606 S * 7/2018 Roth D4/134
 D827,311 S * 9/2018 Nicoline D4/138
 D829,447 S * 10/2018 Vorotova D4/138
 D830,064 S * 10/2018 Krohmer D4/135

D831,971 S * 10/2018 Porcaro D4/135
 D833,156 S * 11/2018 Burditt D4/138
 D844,332 S * 4/2019 Park D4/120
 D853,127 S * 7/2019 Kling D4/127
 D856,515 S * 8/2019 Zu D24/146
 D856,685 S * 8/2019 Burditt D4/138
 D862,089 S * 10/2019 Dericco D4/105
 D869,174 S * 12/2019 Grund D4/120
 D869,857 S * 12/2019 Cordero D4/125
 D874,155 S * 2/2020 Grant D4/108
 D880,872 S * 4/2020 Burditt D4/138
 D881,466 S * 4/2020 Cope D28/23
 D882,272 S * 4/2020 Celia, Jr. D4/116
 D882,963 S * 5/2020 Harrington D4/137
 D891,117 S * 7/2020 Theodosis D4/121
 D893,198 S * 8/2020 Kaicker D4/135
 2002/0189108 A1 12/2002 Lielonka
 2002/0198476 A1 12/2002 Chen
 2012/0118312 A1 5/2012 Rajaiah et al.
 2013/0263874 A1 10/2013 Moody
 2014/0213944 A1 7/2014 Kojima
 2017/0188686 A1 7/2017 Tarling
 2018/0028395 A1 * 2/2018 Roth A46B 5/02

* cited by examiner

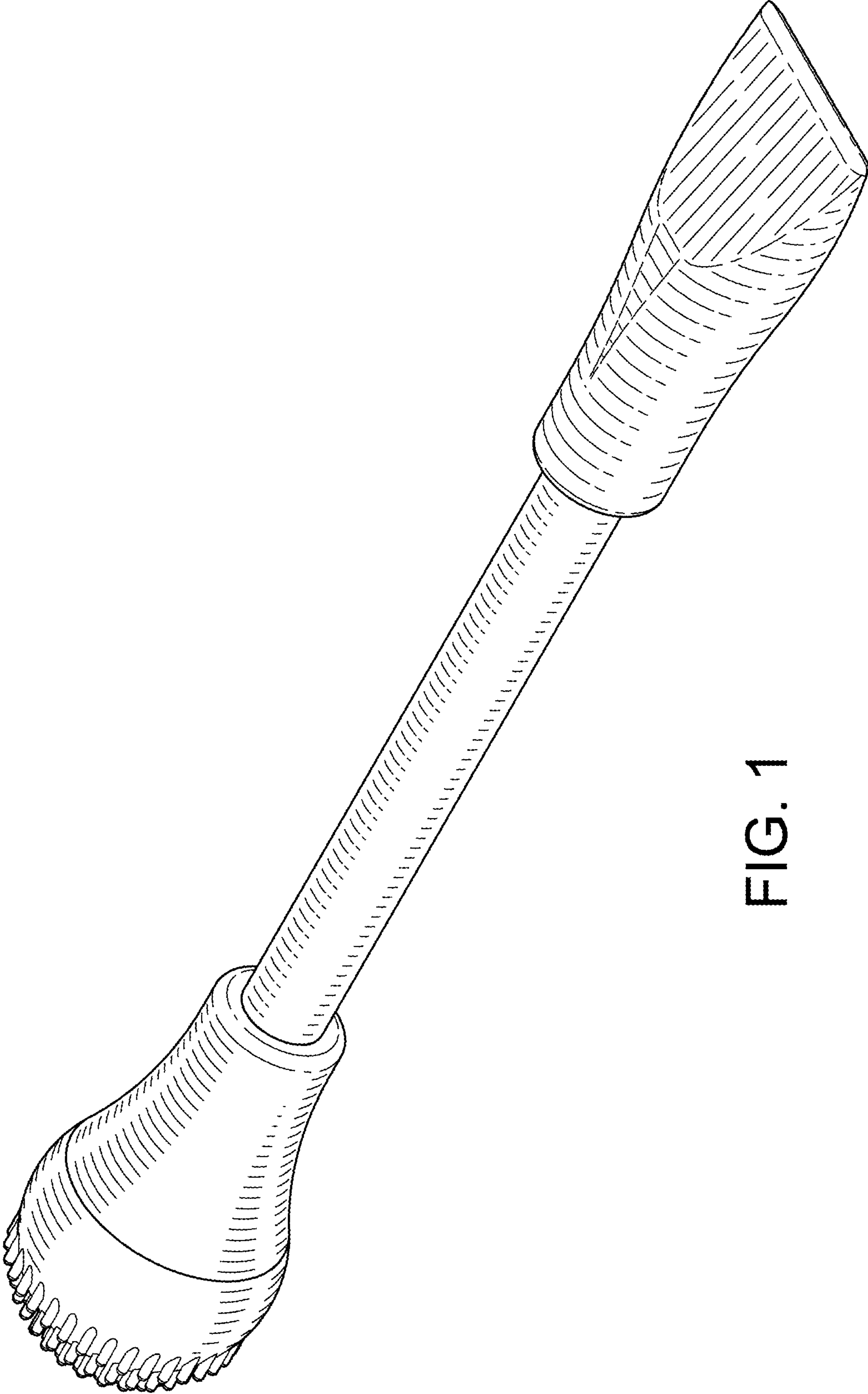


FIG. 1

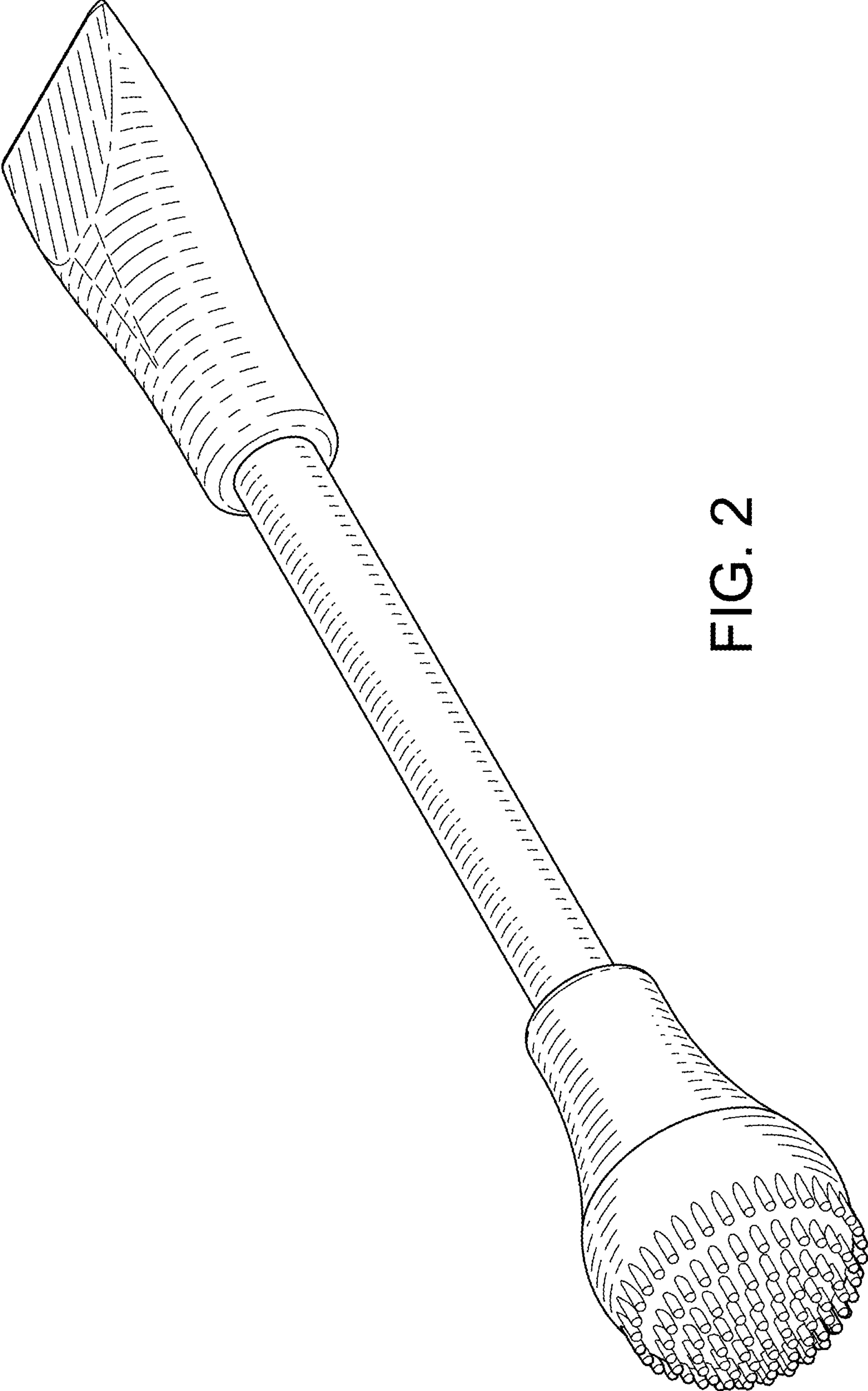


FIG. 2

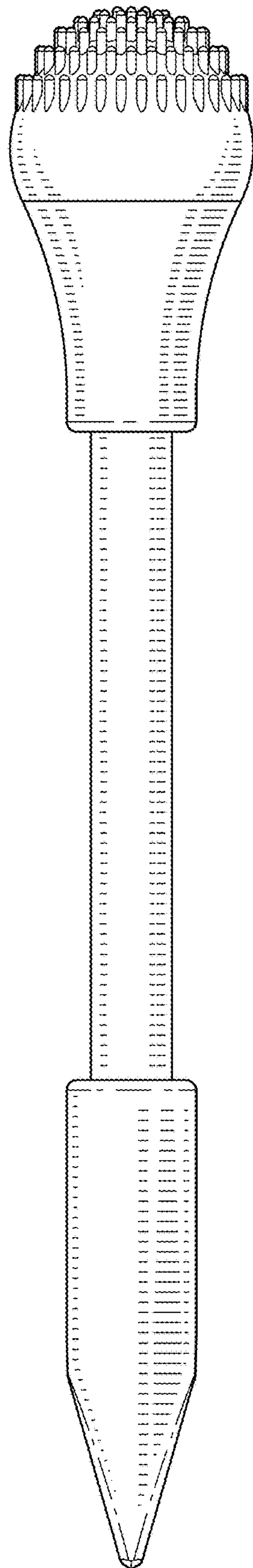


FIG. 3

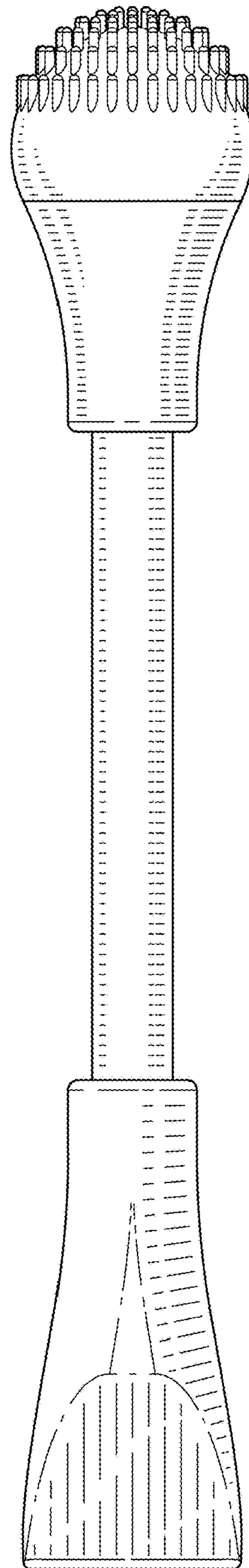


FIG. 4

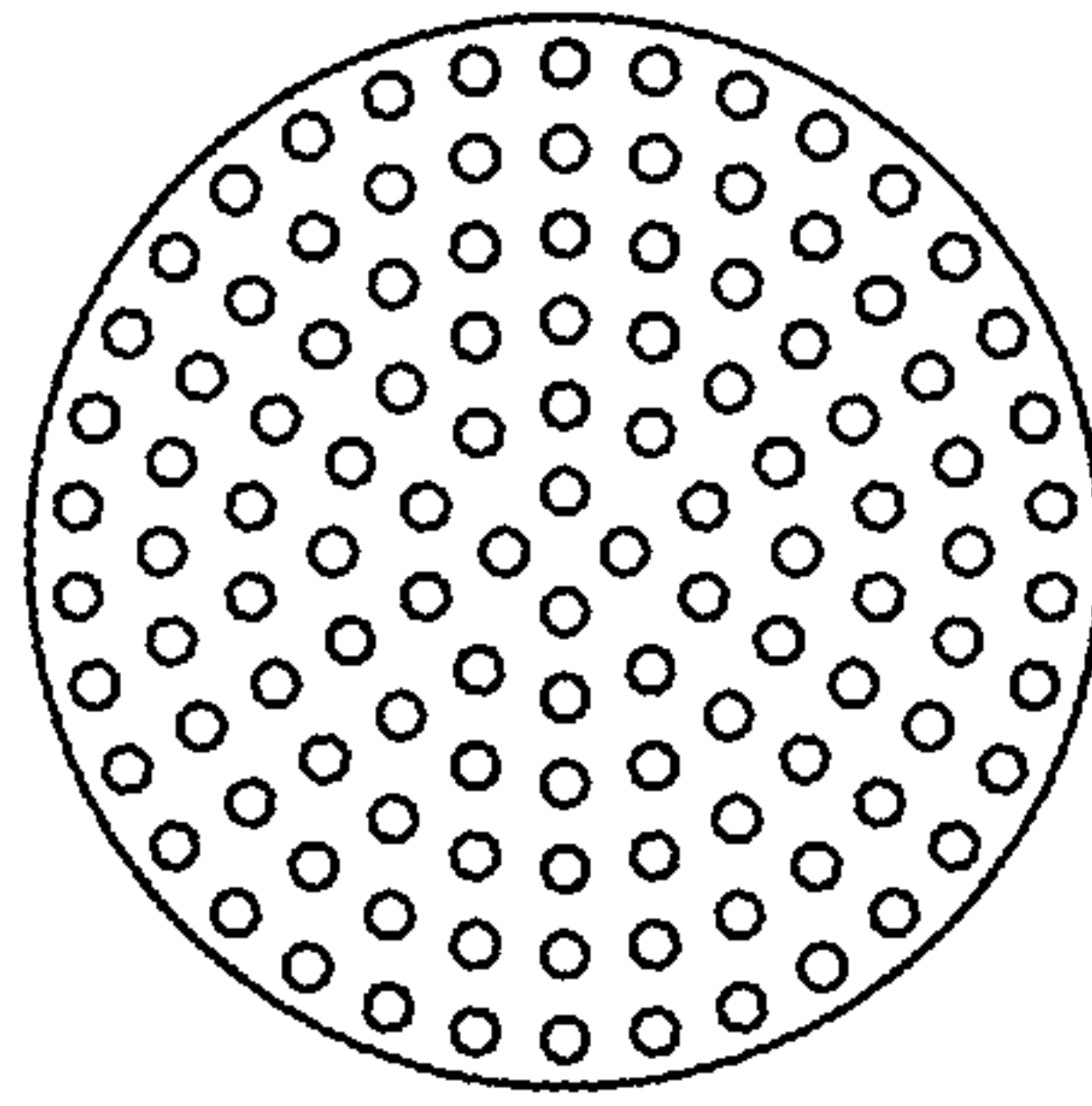


FIG. 5

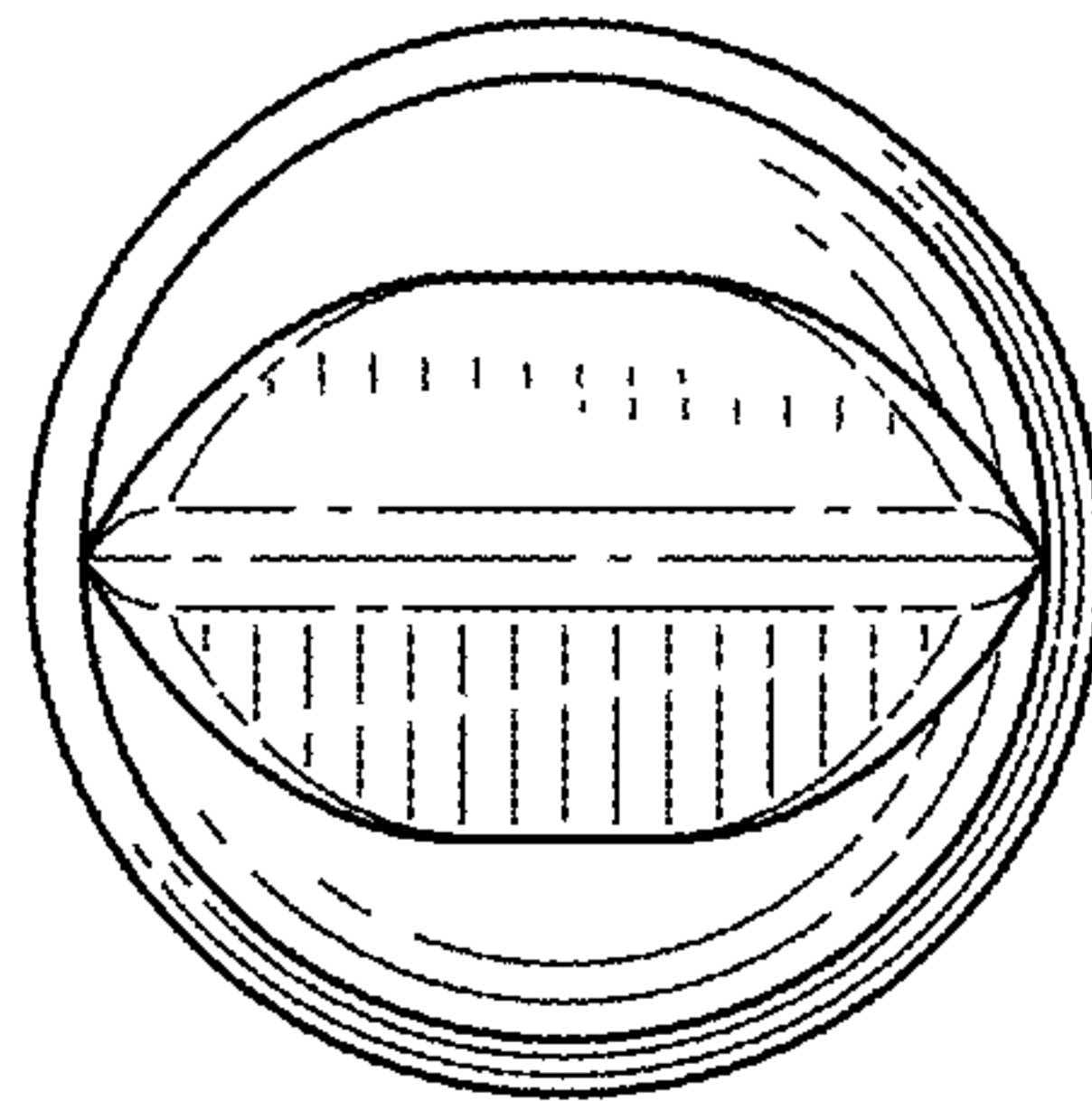


FIG. 6

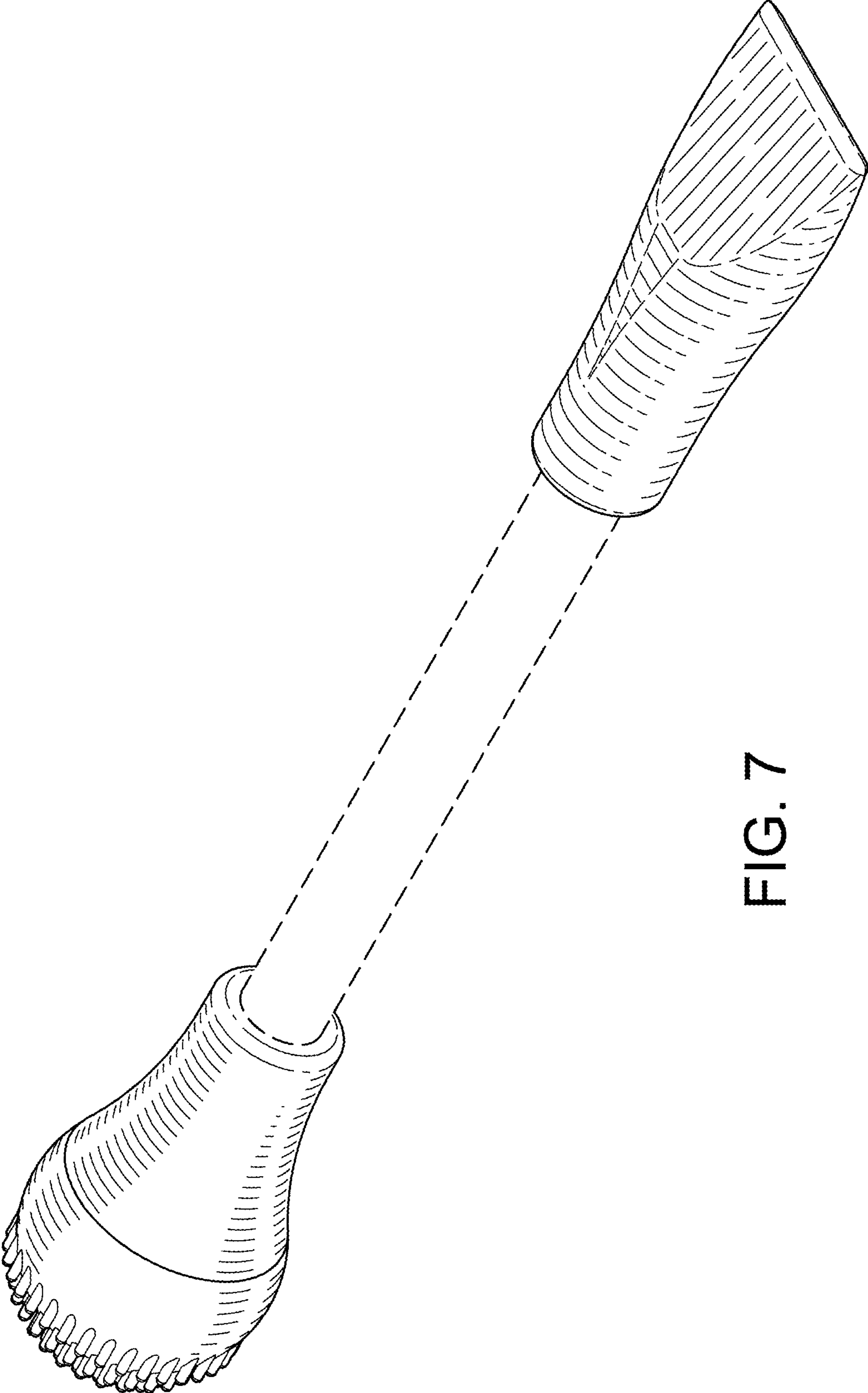


FIG. 7

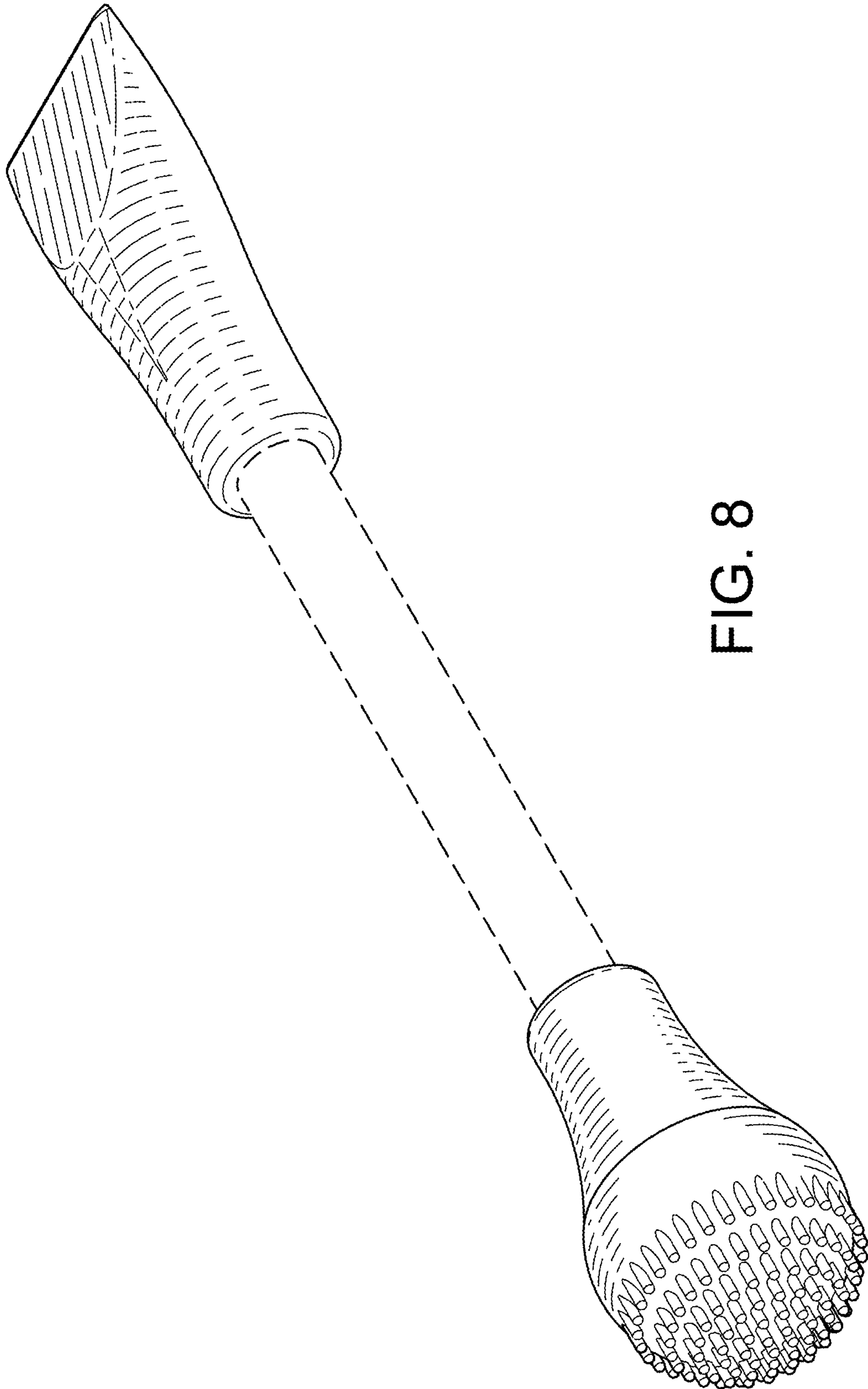


FIG. 8