



US00D913698S

(12) **United States Design Patent** (10) **Patent No.:** **US D913,698 S**
Bennett (45) **Date of Patent:** **** *Mar. 23, 2021**

(54) **SNOW BRUSH**

(71) Applicant: **Hopkins Manufacturing Corporation**, Emporia, KS (US)

(72) Inventor: **Kyle Bennett**, Emporia, KS (US)

(73) Assignee: **Hopkins Manufacturing Corporation**, Emporia, KS (US)

(*) Notice: This patent is subject to a terminal disclaimer.

(**) Term: **15 Years**

(21) Appl. No.: **29/660,985**

(22) Filed: **Aug. 23, 2018**

Related U.S. Application Data

(62) Division of application No. 29/574,627, filed on Aug. 17, 2016, now Pat. No. Des. 831,360.

(51) **LOC (13) Cl.** **04-01**

(52) **U.S. Cl.**
USPC **D4/118; D32/41**

(58) **Field of Classification Search**
USPC D9/434, 435, 444, 454, 652, 900; D28/7, D28/57, 59; D4/116, 121, 127, 135
CPC .. A46B 3/18; A46B 5/00; A46B 9/021; A46B 11/00; A46B 11/0003; A46B 2200/1053; A45D 40/26; A45D 40/265
See application file for complete search history.

(56) **References Cited**

U.S. PATENT DOCUMENTS

D373,024 S *	8/1996	Shepherd	D4/132
D568,616 S *	5/2008	Berti	D4/132
D575,515 S *	8/2008	Arend	D4/118
D766,584 S *	9/2016	Blouin	D4/118
D773,141 S *	11/2016	Chitayat	D32/41
D787,144 S *	5/2017	Thompson	D32/41
D793,091 S *	8/2017	Laenner	D4/132
D831,360 S *	10/2018	Bennett	D4/118
D834,327 S *	11/2018	Tschopp	D4/118

* cited by examiner

Primary Examiner — Keli L Hill

(74) *Attorney, Agent, or Firm* — Hovey Williams LLP

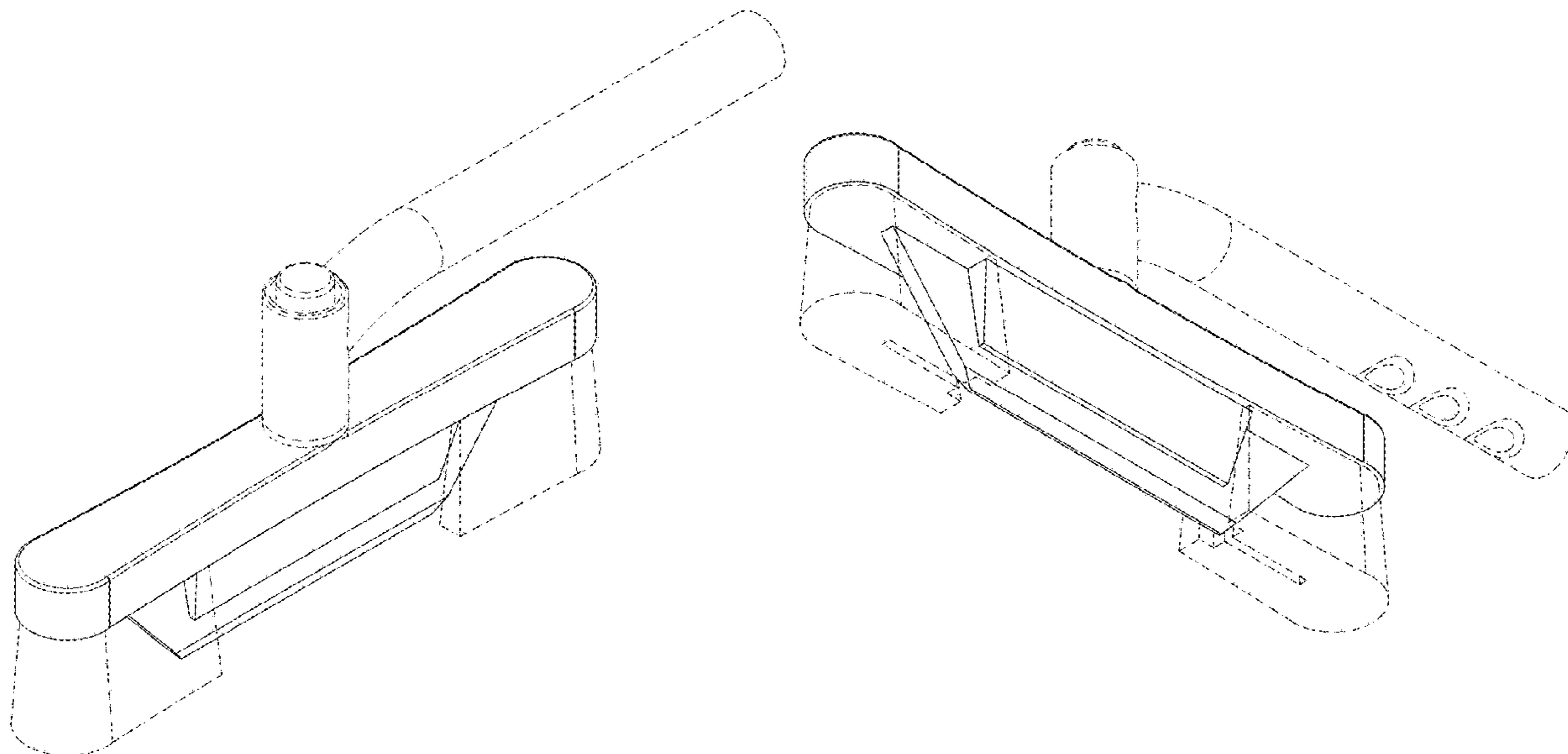
(57) **CLAIM**

The ornamental design for a snow brush, as shown and described.

DESCRIPTION

FIG. 1 is a top perspective view of a snow brush embodying my design;
FIG. 2 is a bottom perspective view of the snow brush of FIG. 1;
FIG. 3 is a side elevational view of the snow brush of FIG. 1;
FIG. 4 is a top plan view of the snow brush of FIG. 1;
FIG. 5 is a bottom view of the snow brush of FIG. 1;
FIG. 6 is a front end view of the snow brush of FIG. 1; and,
FIG. 7 is a rear end view of the snow brush of FIG. 1.
The broken lines shown are included for the purpose of illustrating portions of the snow brush that form no part of the claim.

1 Claim, 3 Drawing Sheets



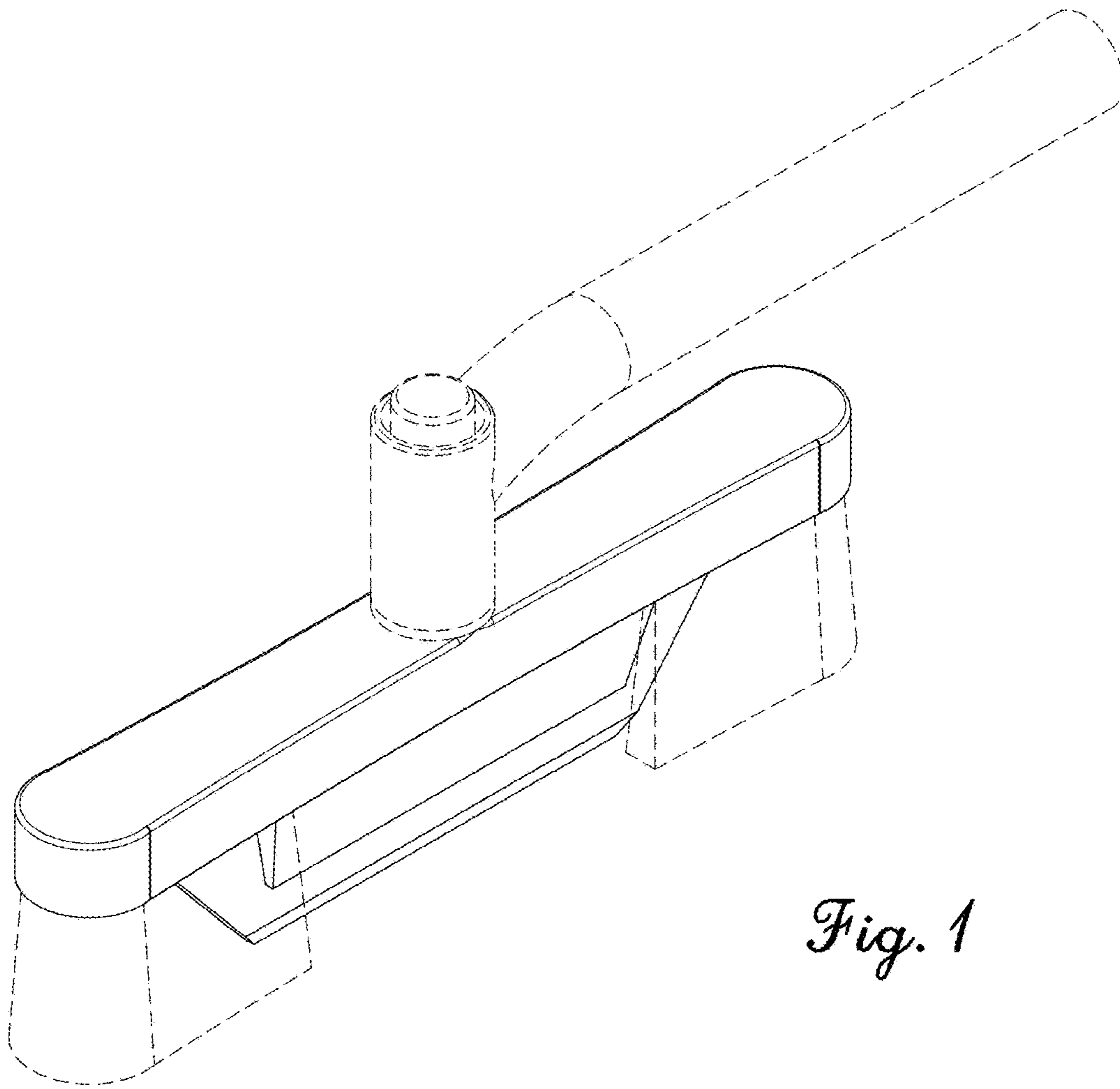


Fig. 1

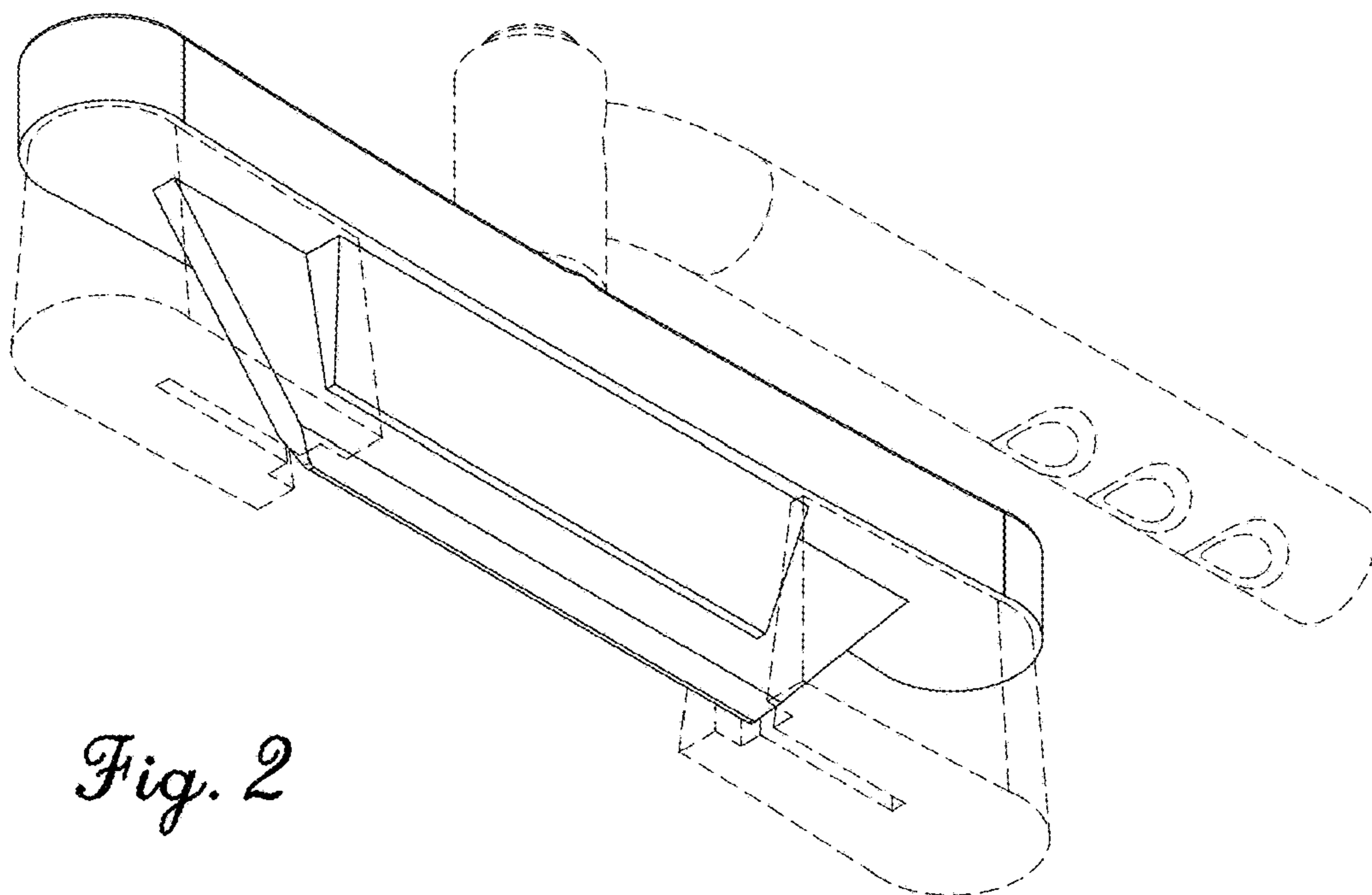
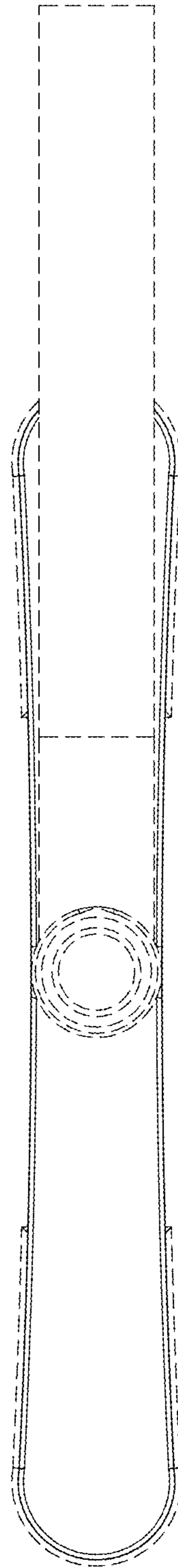
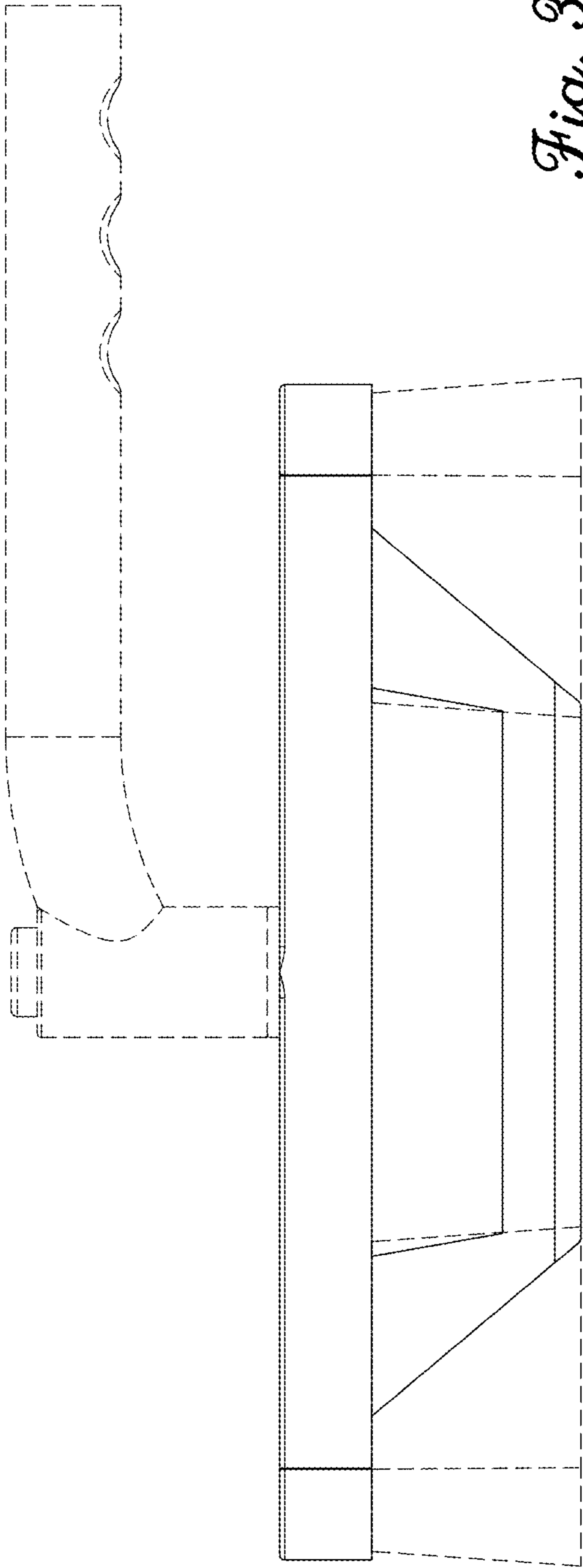


Fig. 2



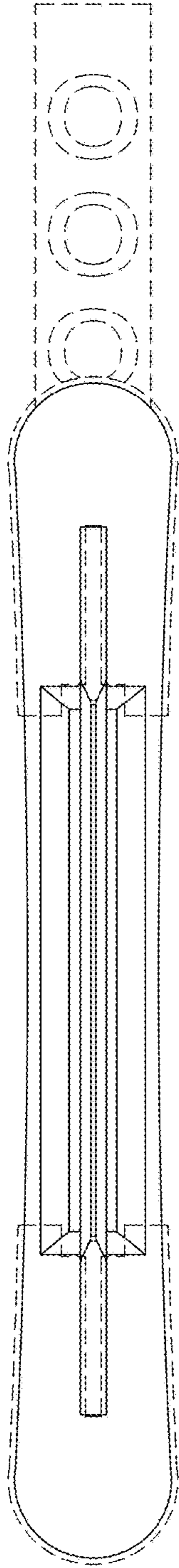


Fig. 5

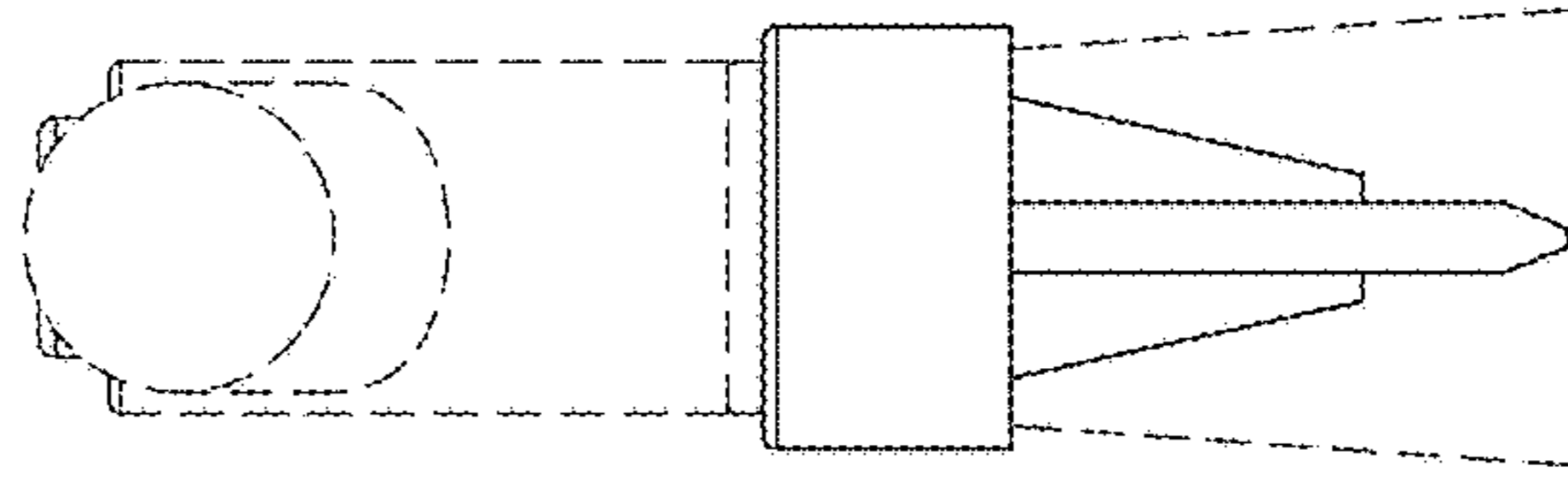


Fig. 7

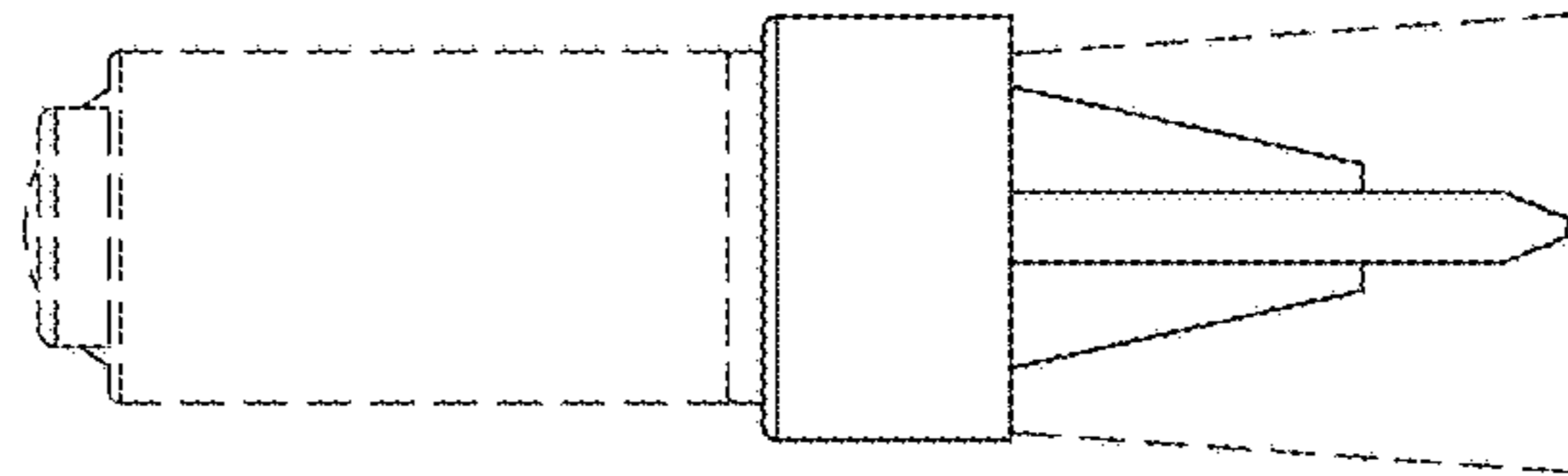


Fig. 6