



US00D913695S

(12) **United States Design Patent** (10) **Patent No.:** **US D913,695 S**
Huddleston et al. (45) **Date of Patent:** **** Mar. 23, 2021**

(54) **BAG WITH SHOE SOLE BASE**

- (71) Applicant: **Bello Kids, Inc.**, Geneva, IL (US)
- (72) Inventors: **Michael A. Huddleston**, Batavia, IL (US); **Katherine L. Huddleston**, Batavia, IL (US)
- (73) Assignee: **Bello Kids, Inc.**, Geneva, IL (US)
- (**) Term: **15 Years**
- (21) Appl. No.: **29/679,319**
- (22) Filed: **Feb. 4, 2019**
- (51) **LOC (13) Cl.** **03-01**
- (52) **U.S. Cl.**
USPC **D3/318**
- (58) **Field of Classification Search**
USPC D3/234, 248, 318; D2/947, 951, D2/954-955, 960
CPC A43B 13/00; A43B 13/04; A43B 13/02; A43B 13/023; A43B 13/08; A43B 13/10; A43B 13/12; A43B 13/14; A43B 13/141; A43B 13/18; A43B 13/181; A43B 13/186; A45C 1/024; A45C 3/06
See application file for complete search history.

(56) **References Cited**

U.S. PATENT DOCUMENTS

32,875 A *	7/1861	Johnson	A43B 13/00 36/25 A
D52,565 S *	10/1918	Finneran	D2/951
1,861,879 A *	6/1932	Quinn	A43B 13/04 36/32 R
D135,963 S *	7/1943	Codish	D2/951
2,361,938 A *	11/1944	Gregg	A43B 13/00 12/146 R
2,377,144 A *	5/1945	Goldstein	A43B 13/00 36/25 A
2,430,497 A *	11/1947	Enright	A43B 13/00 36/25 A
D267,288 S *	12/1982	Davis	D2/951

OTHER PUBLICATIONS

- Rubber soles. Catalog [online], Etsy, reviewed 2018 [retrieved Jun. 10, 2020.] Retrieved from the Internet: <https://tinyurl.com/y76m5r2r> (Year: 2018).*
- * cited by examiner
- Primary Examiner* — Holly H Baynham
- (74) *Attorney, Agent, or Firm* — K&L Gates LLP

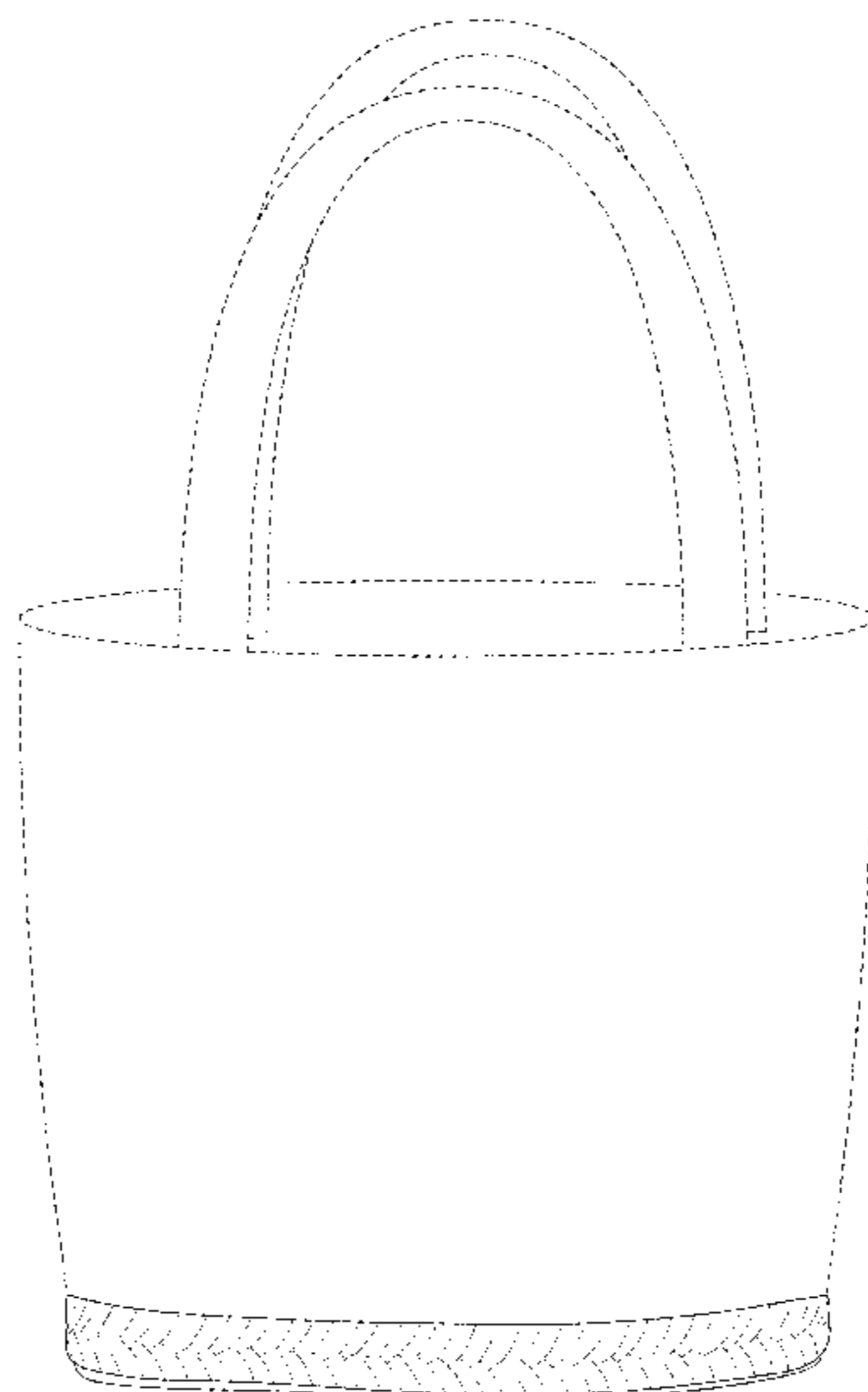
(57) **CLAIM**

The ornamental design for a bag with shoe sole base, as shown and described.

DESCRIPTION

FIG. 1 is a front elevation view of a first embodiment of a bag with shoe sole base showing our new design; FIG. 2 is a back elevation view thereof; FIG. 3 is a left side elevation view thereof; FIG. 4 is a right side elevation view thereof; FIG. 5 is a top plan view thereof; FIG. 6 is a bottom plan view thereof; FIG. 7 is a front elevation view of a second embodiment of a bag with shoe sole base; FIG. 8 is a back elevation view thereof; FIG. 9 is a left side elevation view thereof; FIG. 10 is a right side elevation view thereof; FIG. 11 is a top plan view thereof; FIG. 12 is a bottom plan view thereof; and, FIG. 13 is a cross-sectional plan view thereof. Those portions of the figures that are presented in broken lines merely illustrate the environment of the design and are not part of the claimed design. The dot-dash-dot broken lines depict the boundaries of the claim and form no part thereof.

1 Claim, 11 Drawing Sheets



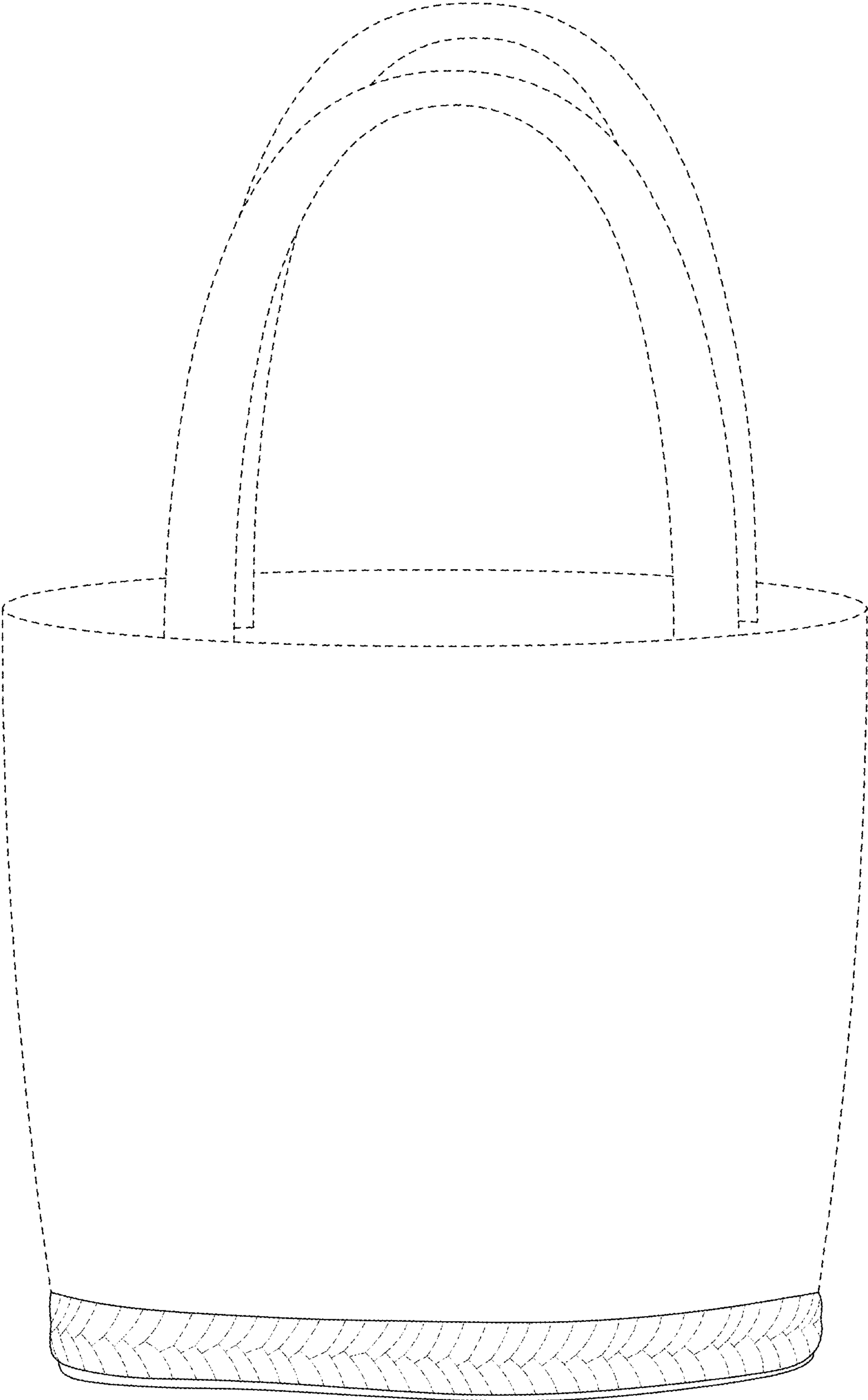


FIG. 1

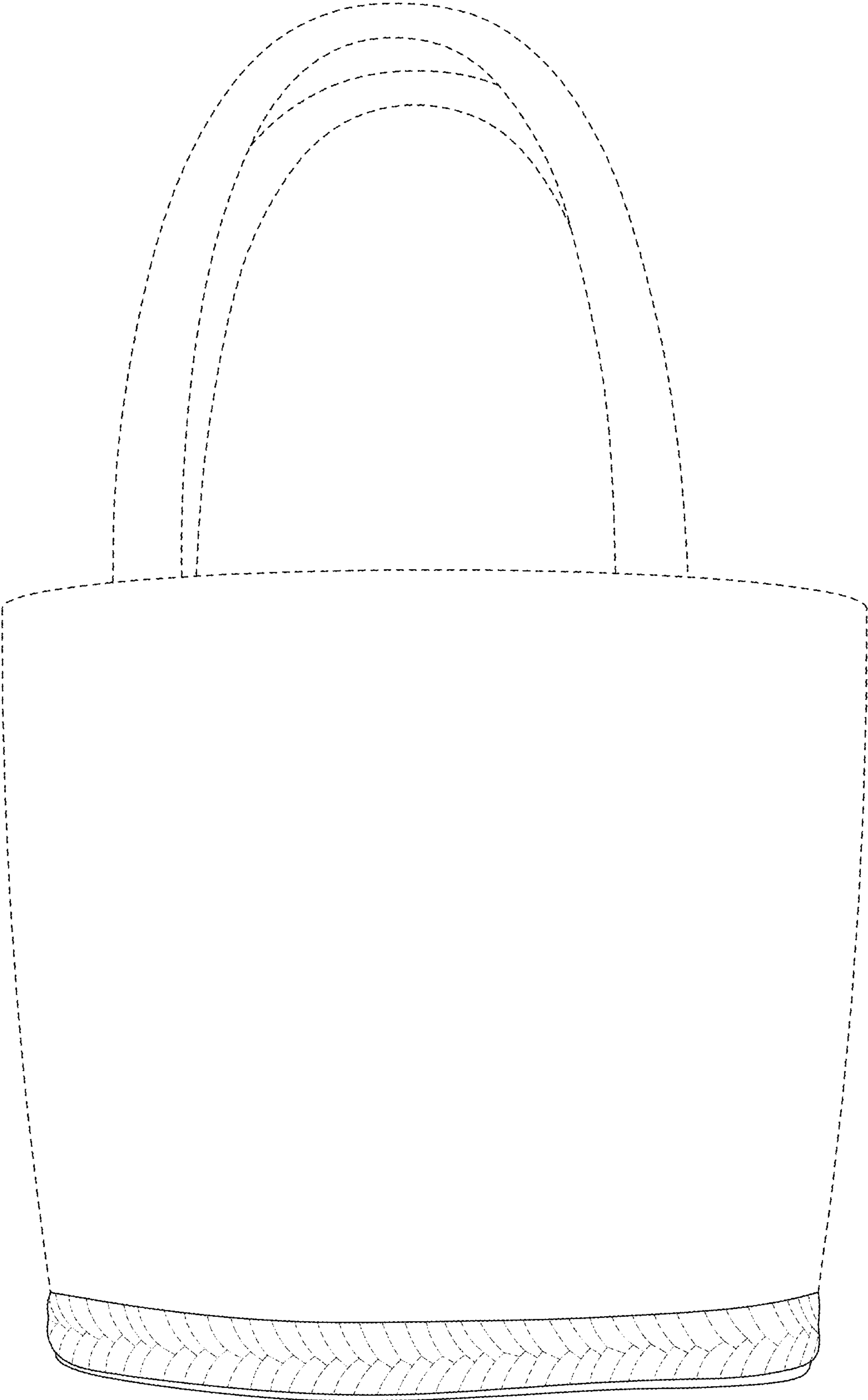


FIG. 2

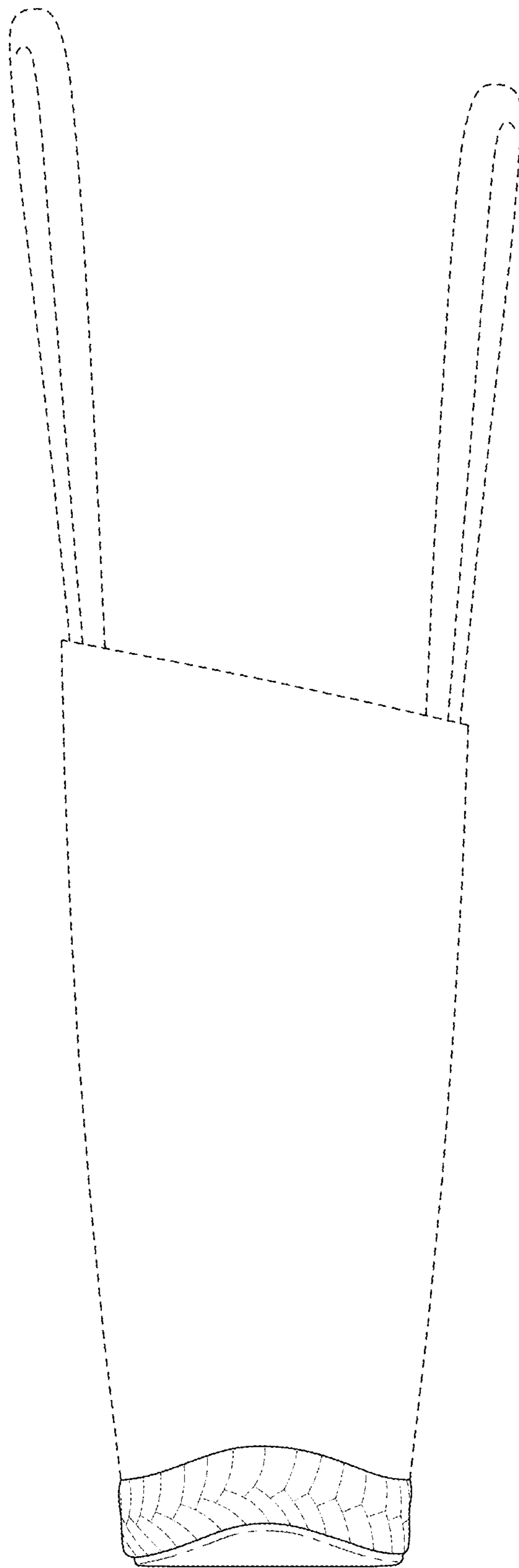


FIG. 3

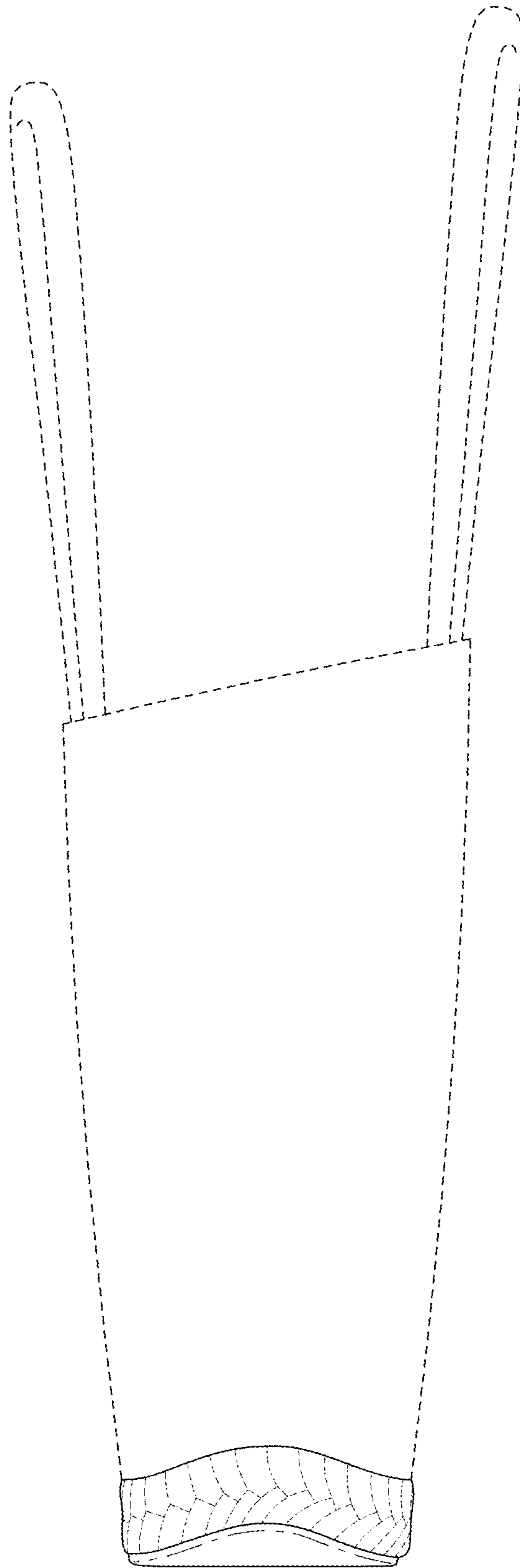


FIG. 4

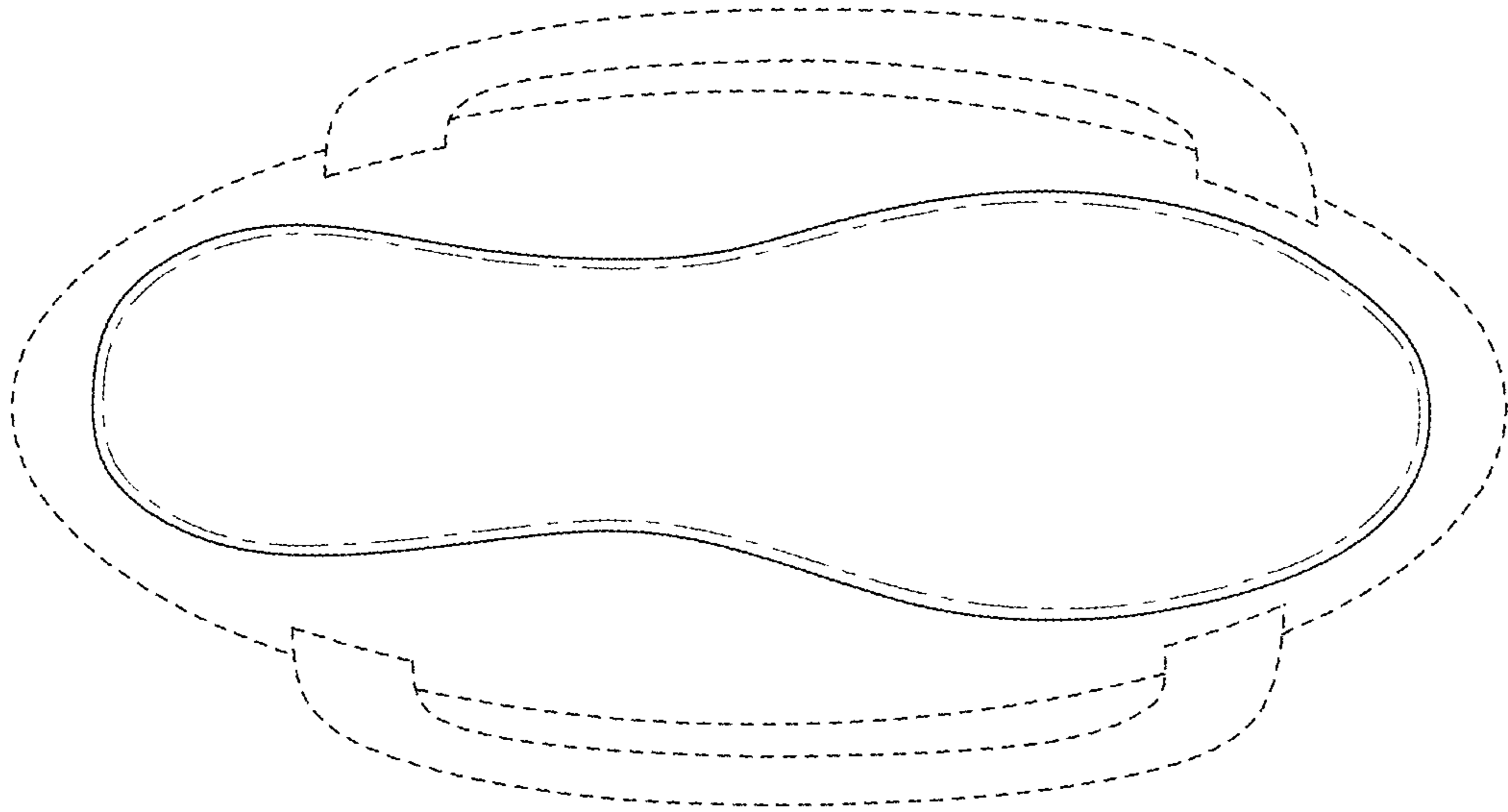


FIG. 5

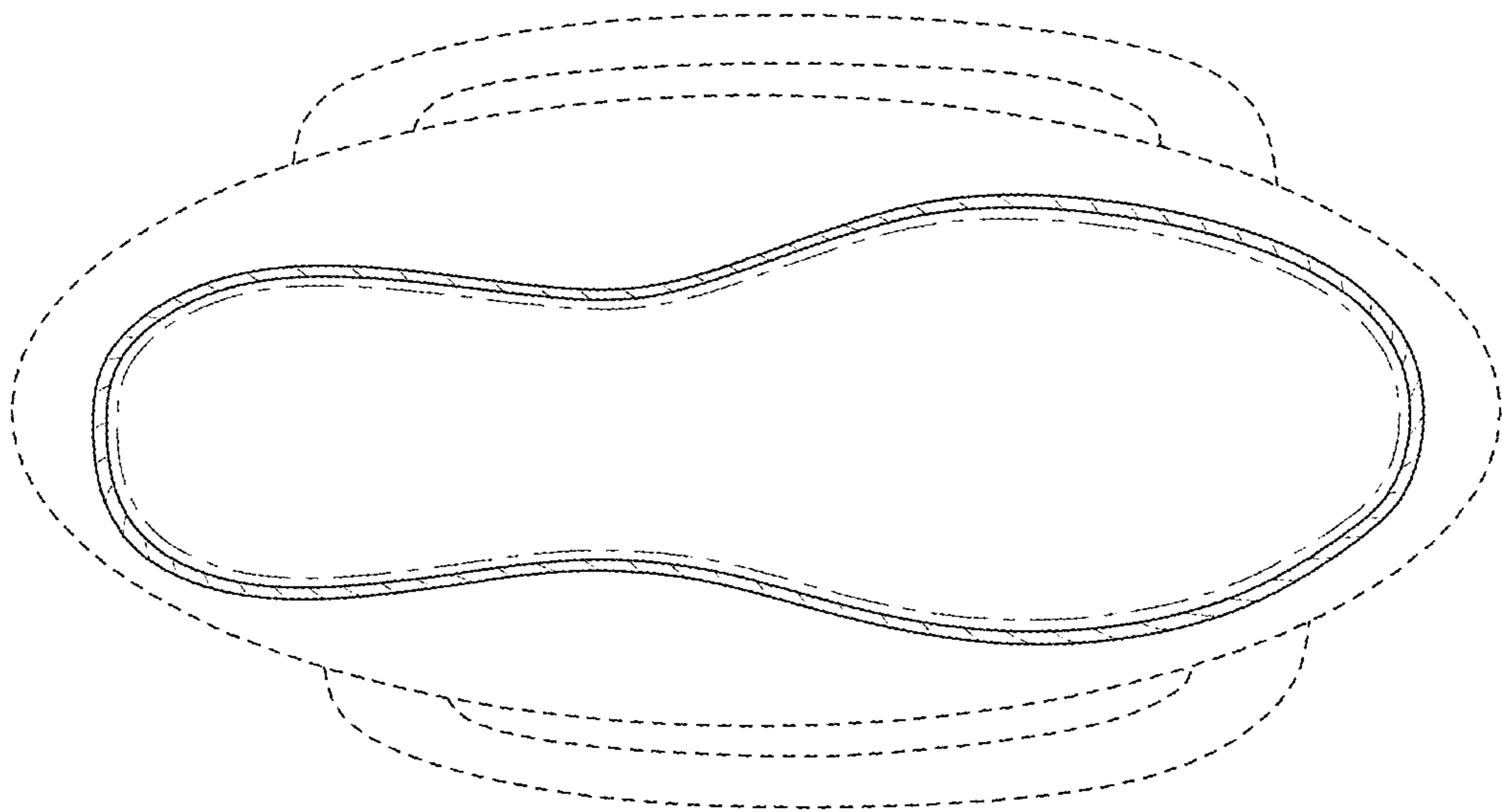


FIG. 6

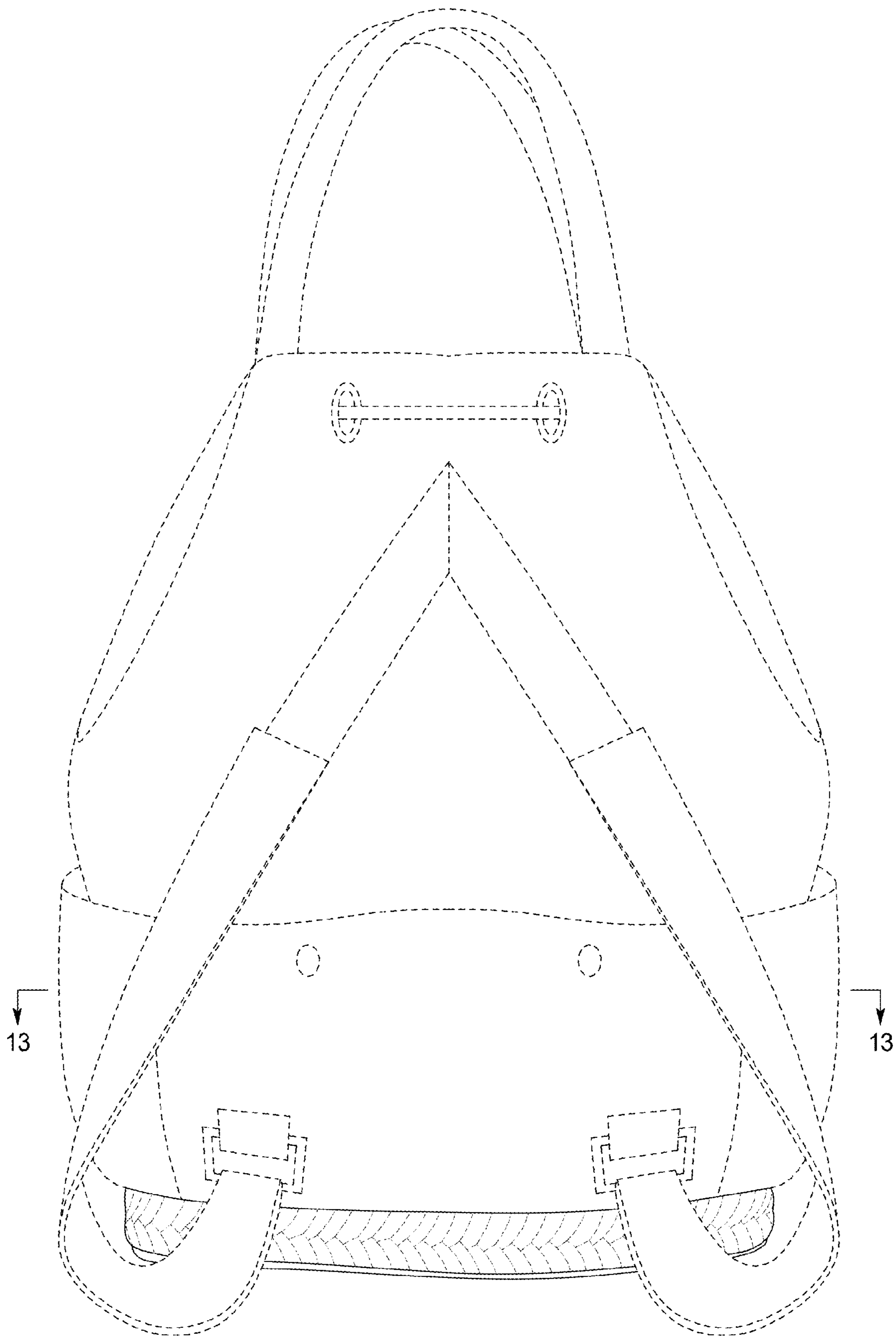


FIG. 7

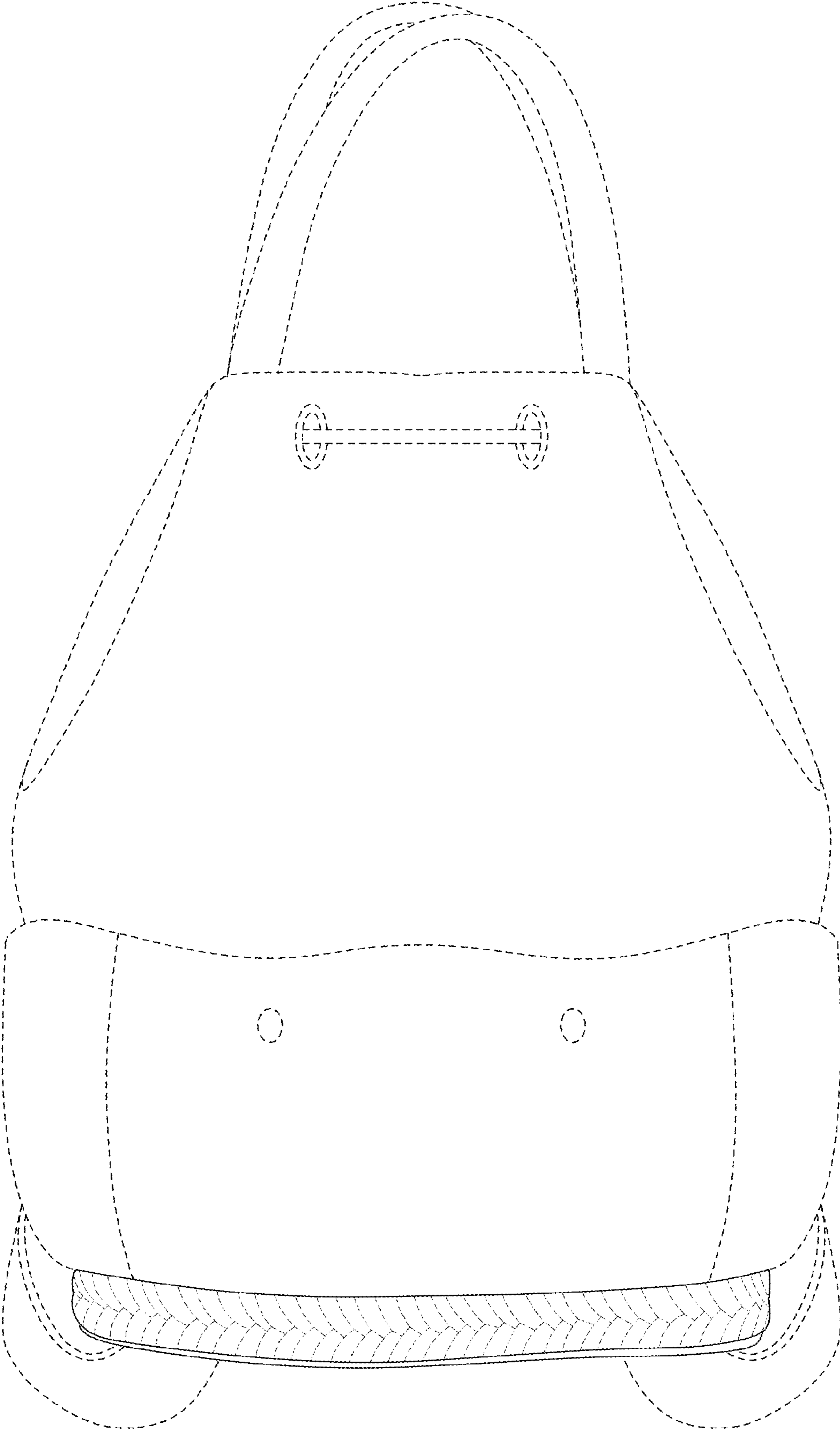


FIG. 8

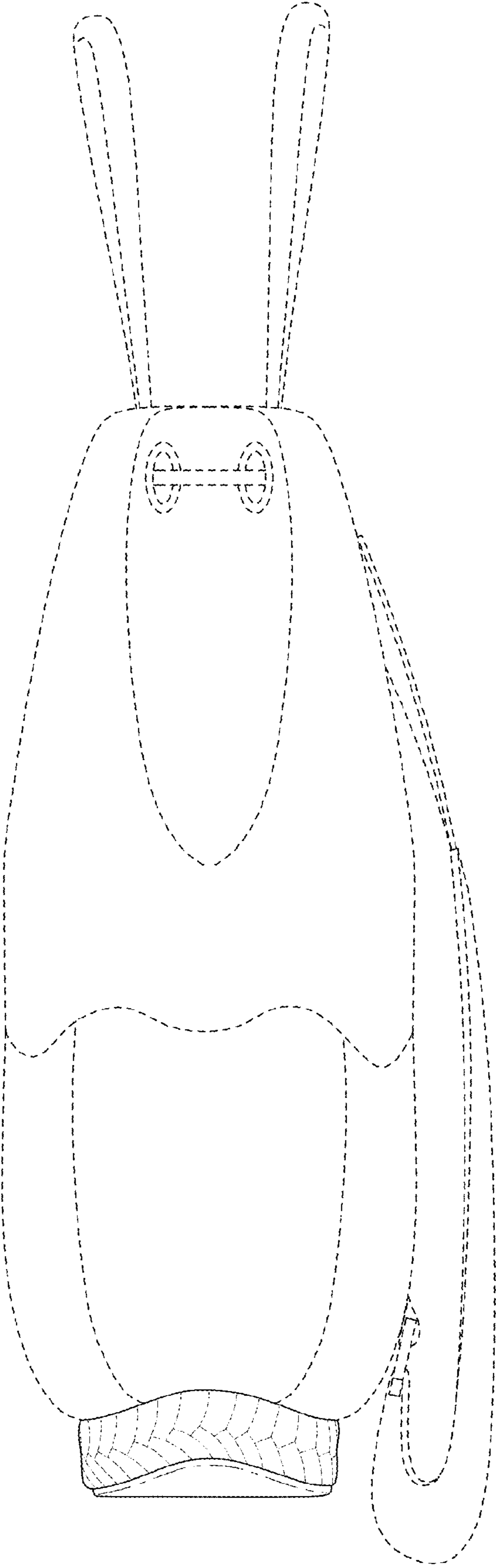


FIG. 9

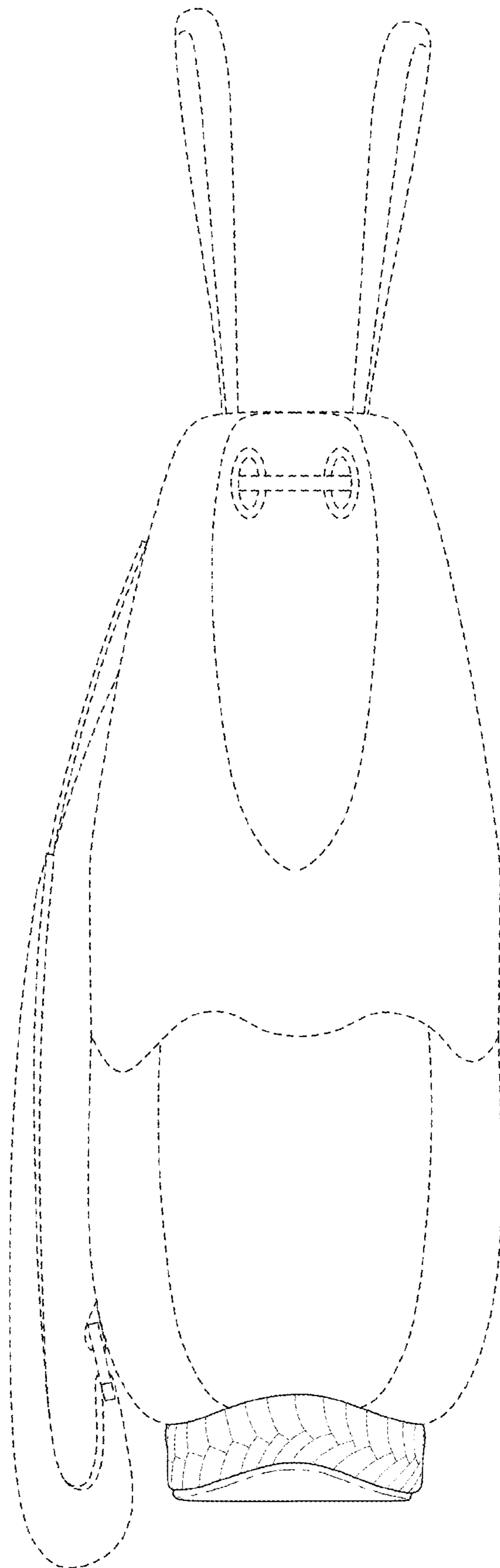


FIG. 10

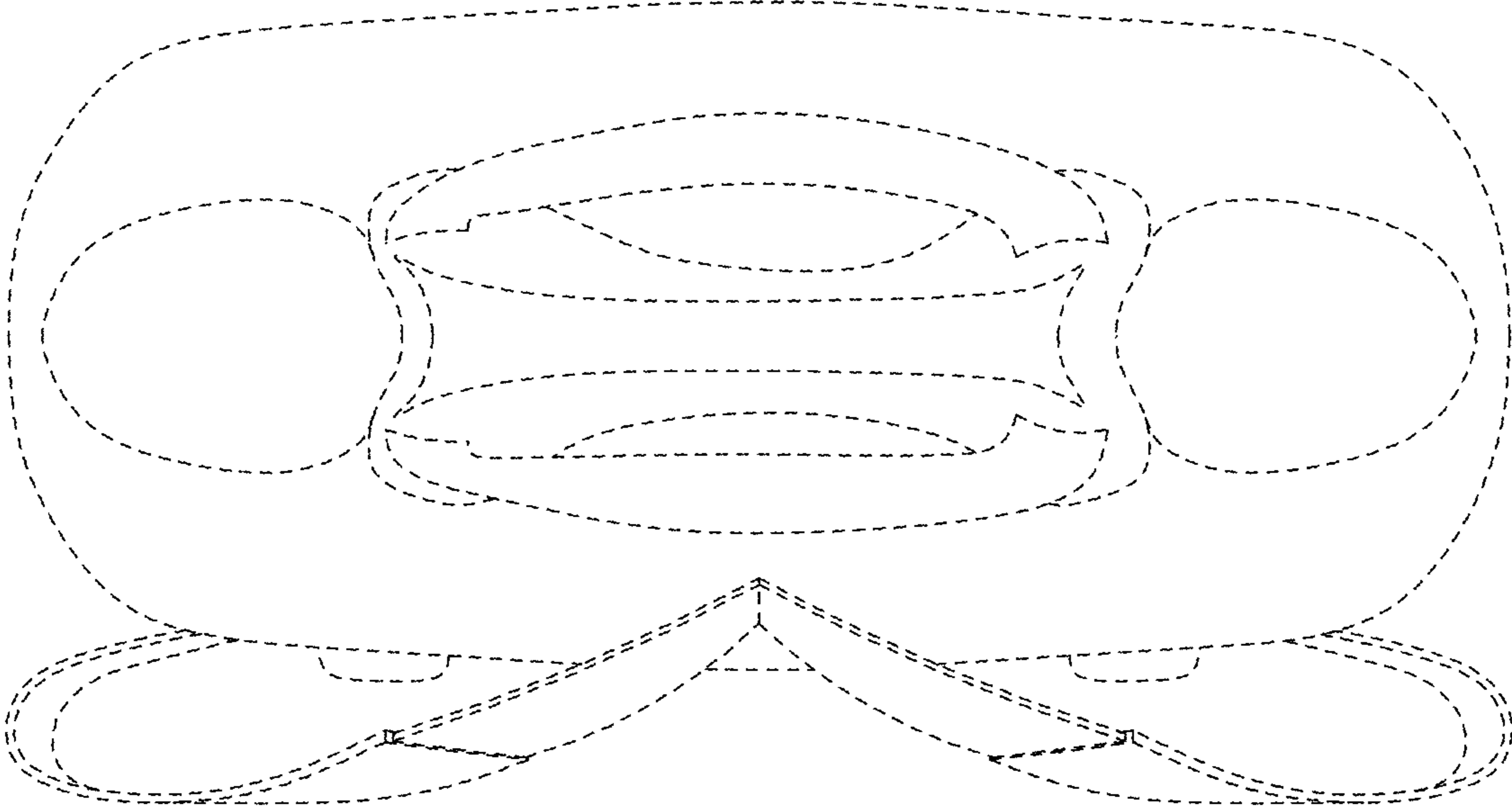


FIG. 11

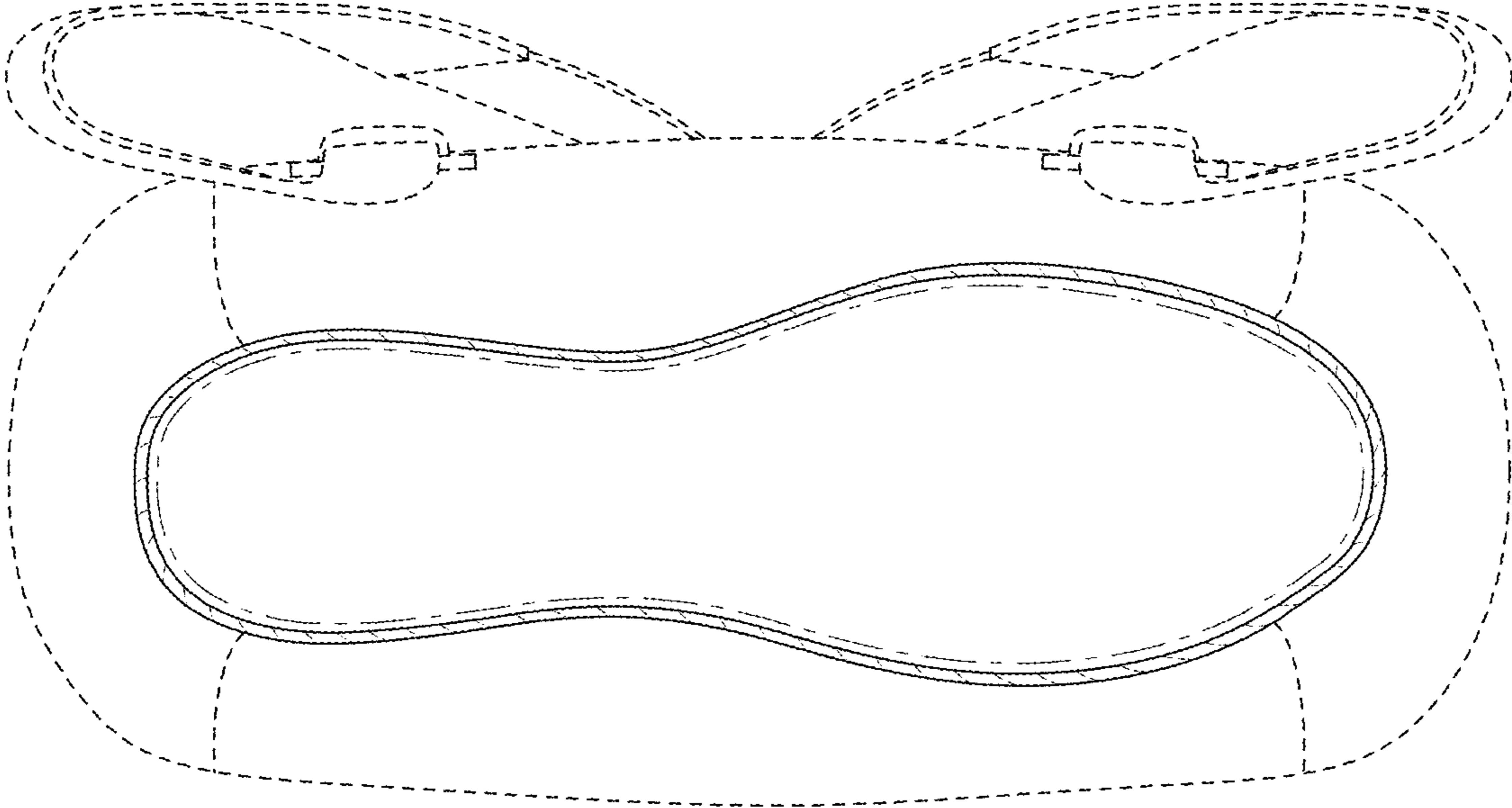


FIG. 12

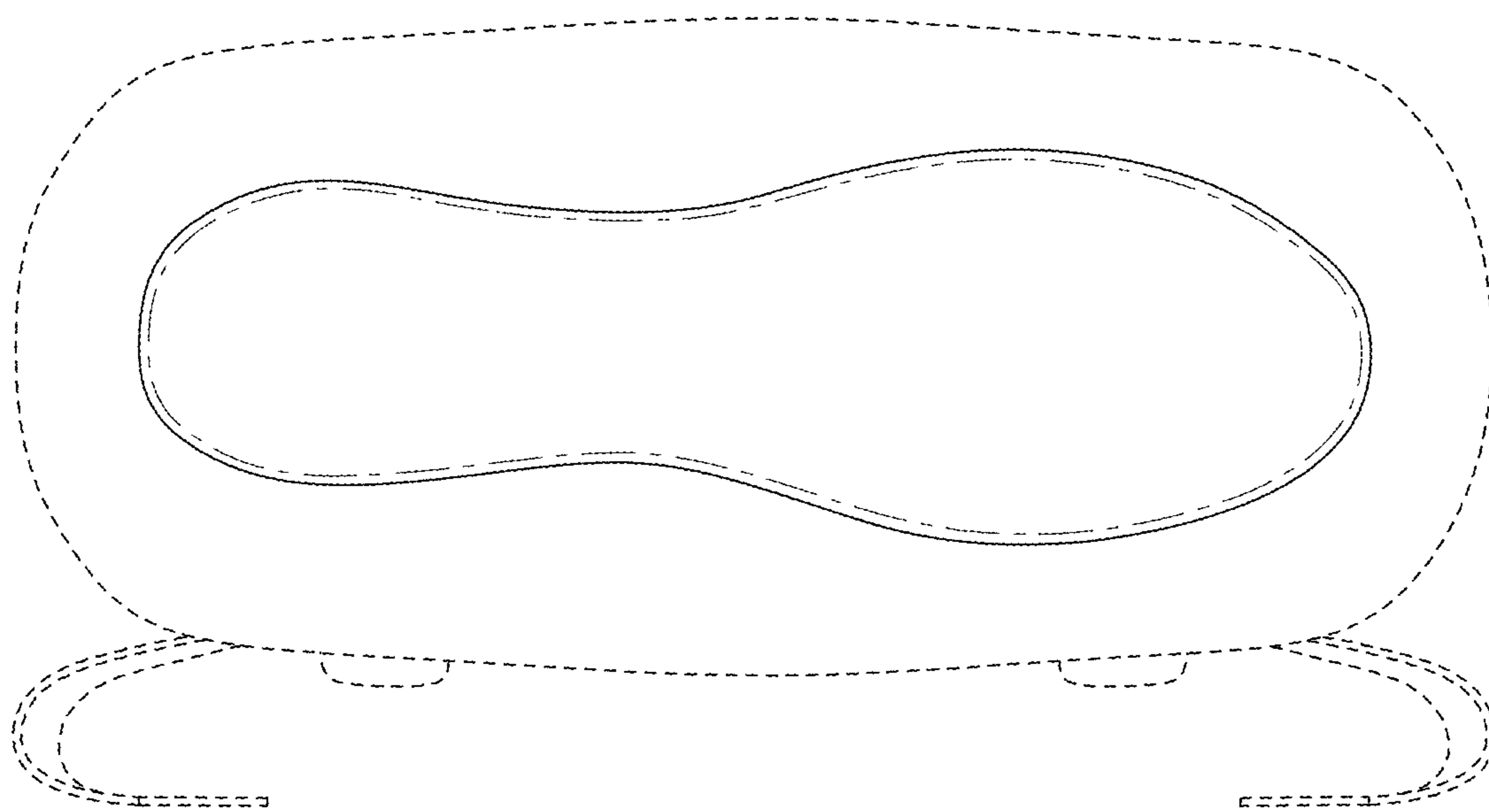


FIG. 13