



US00D913694S

(12) **United States Design Patent** (10) **Patent No.:** **US D913,694 S**  
**Kraemer** (45) **Date of Patent:** **\*\* Mar. 23, 2021**

(54) **HOLDER**

- (71) Applicant: **Metro Decor LLC**, Glenwillow, OH (US)
- (72) Inventor: **Kevin Francis Kraemer**, Chagrin Falls, OH (US)
- (73) Assignee: **Metro Décor LLC**, Glenwillow, OH (US)
- (\*\*) Term: **15 Years**
- (21) Appl. No.: **29/733,377**
- (22) Filed: **May 1, 2020**

**Related U.S. Application Data**

- (60) Division of application No. 29/656,713, filed on Jul. 16, 2018, now Pat. No. Des. 878,050, which is a continuation of application No. 29/614,789, filed on Aug. 23, 2017, now Pat. No. Des. 826,061, which is a continuation of application No. 29/551,071, filed on Jan. 11, 2016, now Pat. No. Des. 799,219, which is a continuation of application No. 29/503,223, filed on Sep. 24, 2014, now Pat. No. Des. 750,443, which is a continuation of application No. 29/480,138, filed on Jan. 23, 2014, now abandoned, which is a continuation of application No. 29/444,254, filed on Jan. 29, 2013, now Pat. No. Des. 698,612.
  - (51) **LOC (13) Cl.** ..... **03-01**
  - (52) **U.S. Cl.**  
USPC ..... **D3/306**; D19/92
  - (58) **Field of Classification Search**  
USPC ..... D8/372; D6/491, 512, 515; 211/126.1, 211/133.6, 183, 70.7, 11, 13.1, 131.1; 206/557, 561-562, 215, 449, 558; D19/77-78, 90; D3/306, 313-315  
CPC ..... B65D 1/00; B65D 25/00; B65D 81/3813; B65D 2585/00
- See application file for complete search history.

(56) **References Cited**

U.S. PATENT DOCUMENTS

- 3,479,105 A \* 11/1969 Farren ..... G11B 23/027 312/261
  - D365,730 S \* 1/1996 Brightbill ..... D3/313
  - D517,319 S \* 3/2006 Wisnoski ..... D3/304
  - D538,539 S \* 3/2007 Richardson ..... D3/314
  - D606,314 S \* 12/2009 Neilsen ..... D3/313
  - D635,770 S \* 4/2011 Kobilarcik ..... D3/304
- (Continued)

OTHER PUBLICATIONS

Amazon.com, mdesign Plastic Food Packet Kitchen Storage Organizer Bin Caddy, Mar. 3, 2016, [https://www.amazon.com/mDesign-Plastic-Kitchen-Storage-Organizer/dp/B01CIT3D72/ref=psdc\\_3744031\\_t1\\_B07DHYK8DH](https://www.amazon.com/mDesign-Plastic-Kitchen-Storage-Organizer/dp/B01CIT3D72/ref=psdc_3744031_t1_B07DHYK8DH) (Year: 2016).\*

*Primary Examiner* — Nathan M Johnston

(74) *Attorney, Agent, or Firm* — Calfee, Halter & Griswold LLP

(57) **CLAIM**

I claim the ornamental design for a holder, as shown and described.

**DESCRIPTION**

FIG. 1 is a front/left/top perspective view of a holder (a front/right/top perspective view would be a mirror image thereof);

FIG. 2 is a rear/right/bottom perspective view thereof (a rear/left/bottom perspective view would be a mirror image thereof);

FIG. 3 is a front/right/top perspective view of thereof;

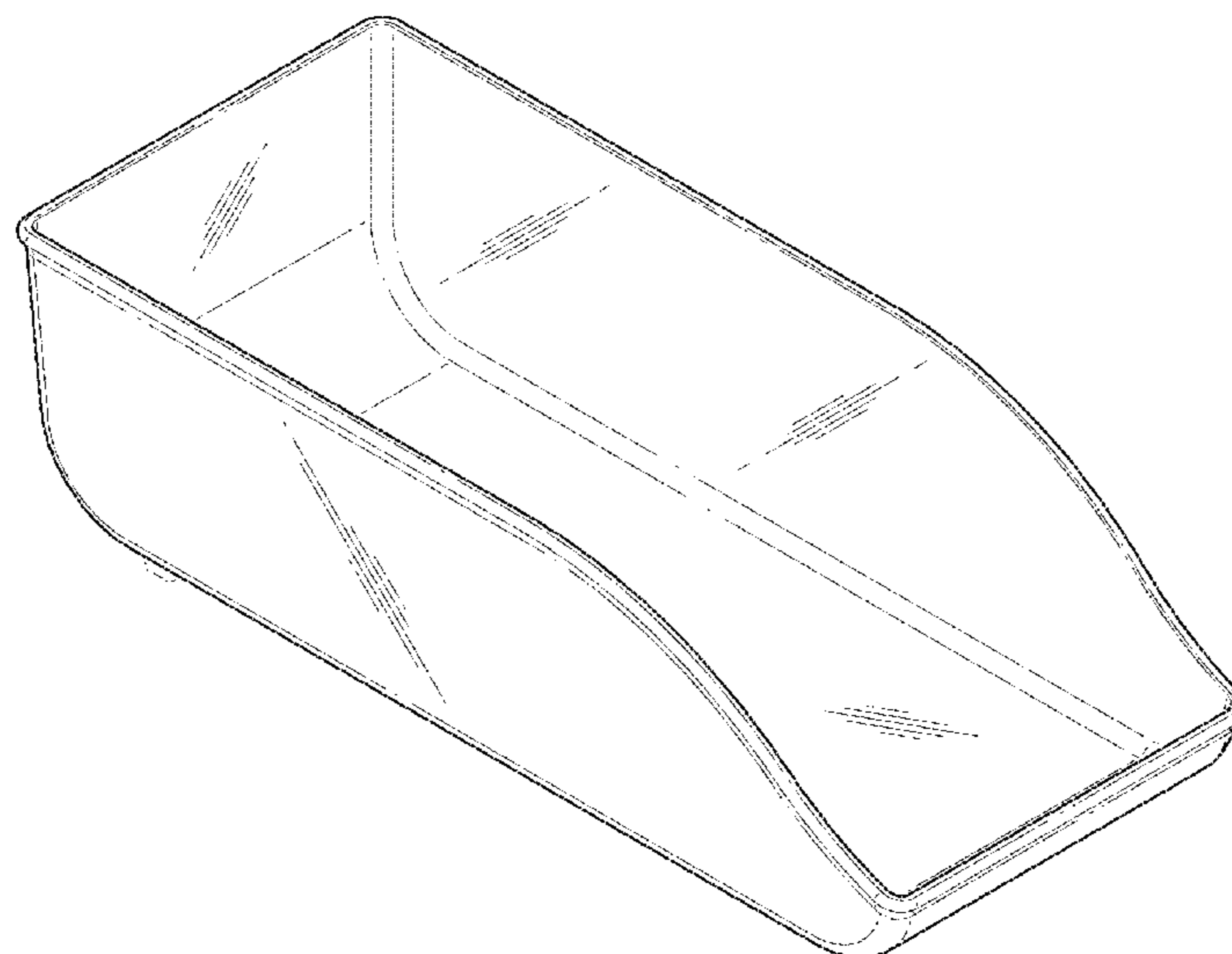
FIG. 4 is a right side elevational view thereof (a left side elevational view would be a mirror image thereof);

FIG. 5 is a top plan view thereof; and,

FIG. 6 is a bottom plan view thereof.

The broken lines depict portions of the holder that form no part of the claimed design.

**1 Claim, 5 Drawing Sheets**



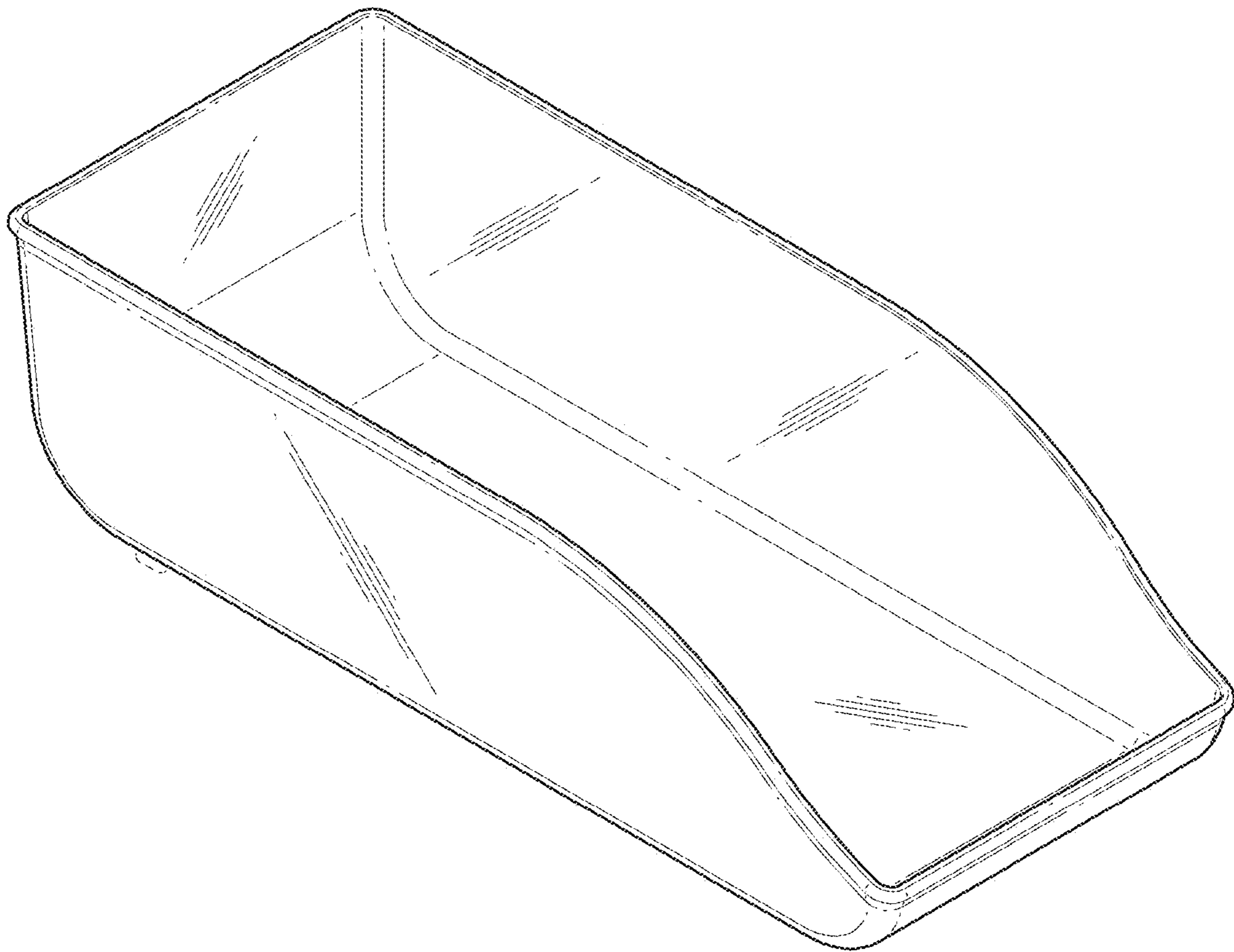
(56)

**References Cited**

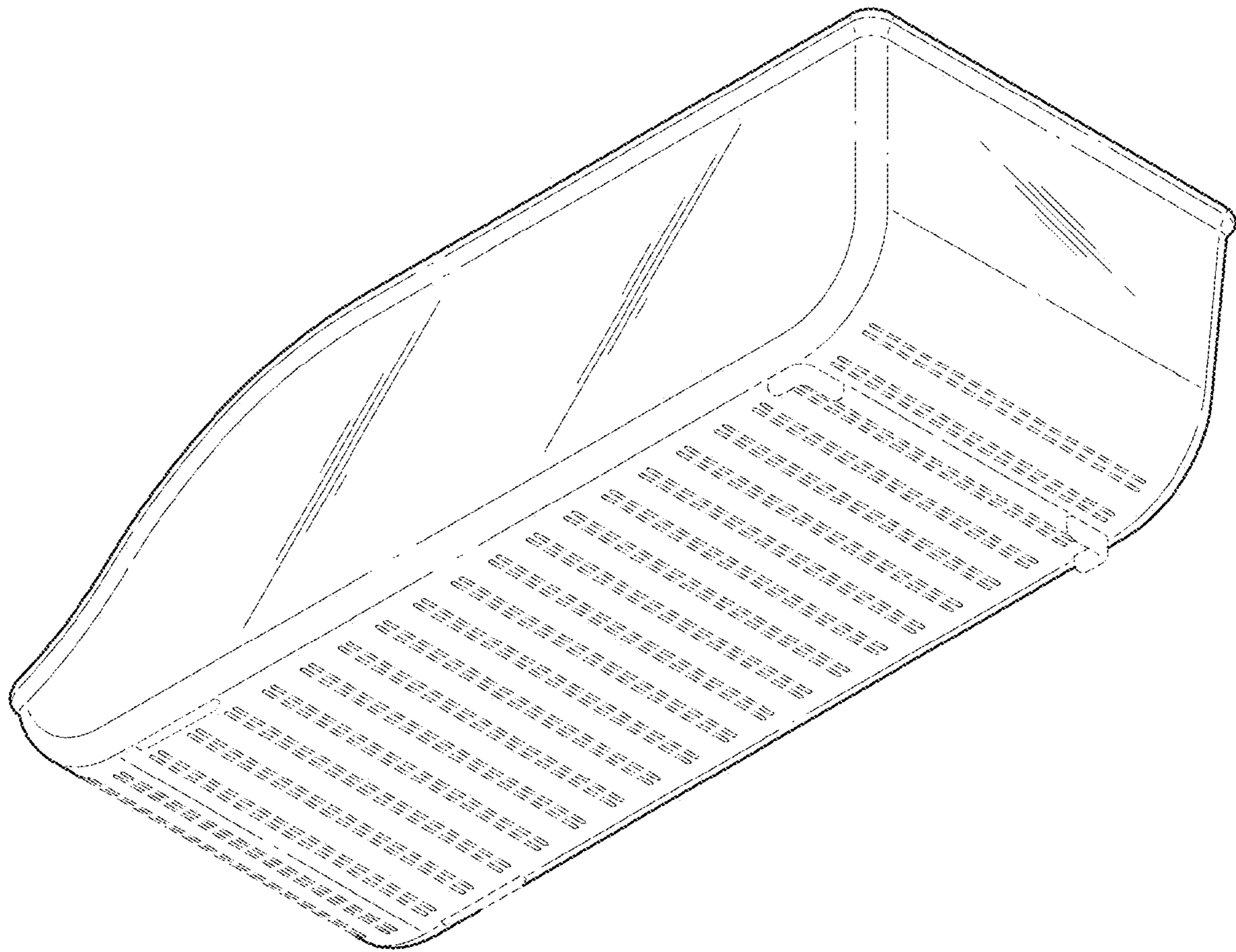
U.S. PATENT DOCUMENTS

D636,601	S *	4/2011	Brown .....	D3/304
D692,668	S *	11/2013	Hu .....	D3/306
D709,289	S *	7/2014	Kraemer .....	D3/306
D887,746	S *	6/2020	Kraemer .....	D6/515
2009/0178989	A1 *	7/2009	Accuardi .....	A47B 87/0269
				211/126.7
2012/0074024	A1 *	3/2012	Kobilarcik .....	B65D 25/06
				206/509

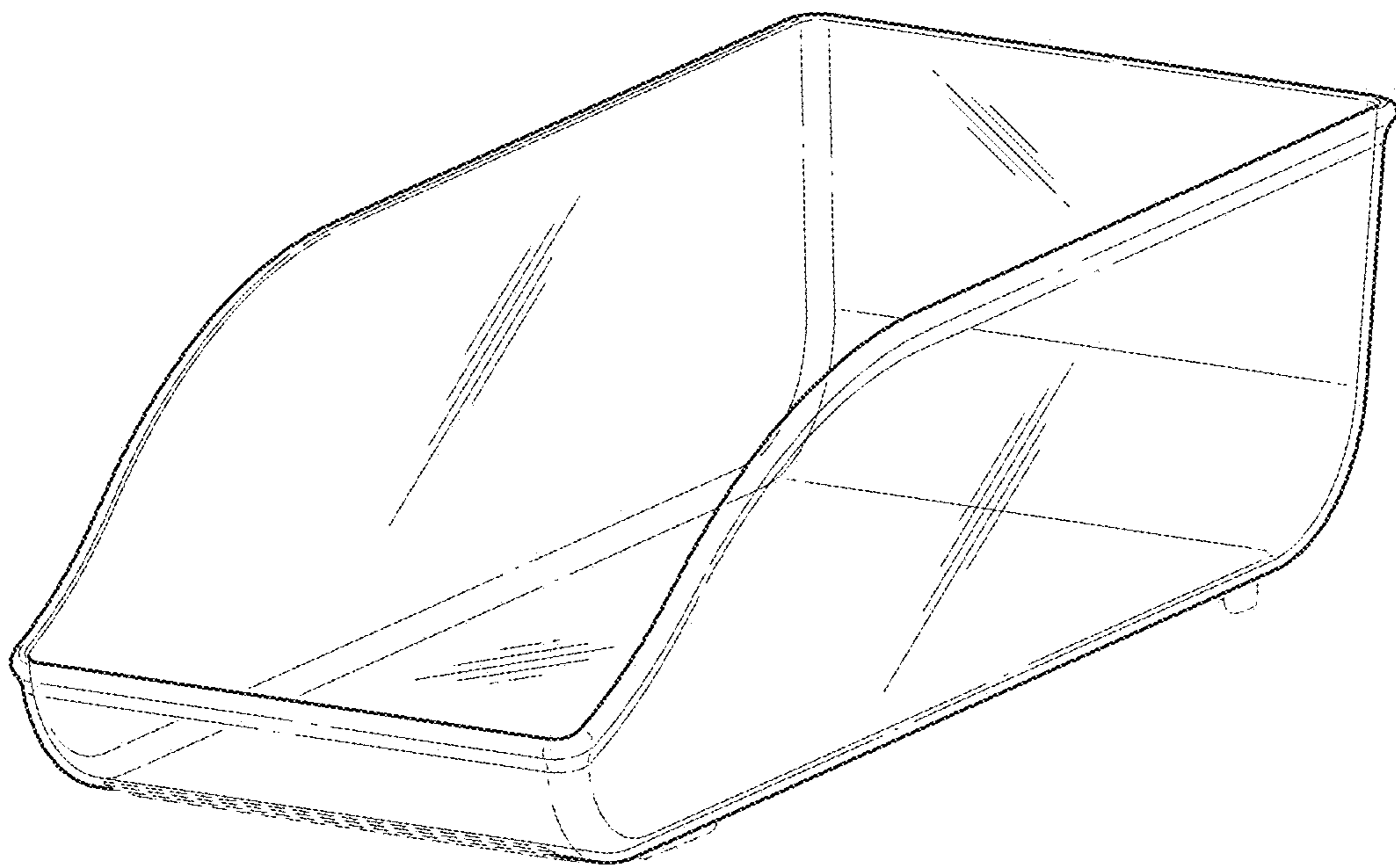
\* cited by examiner



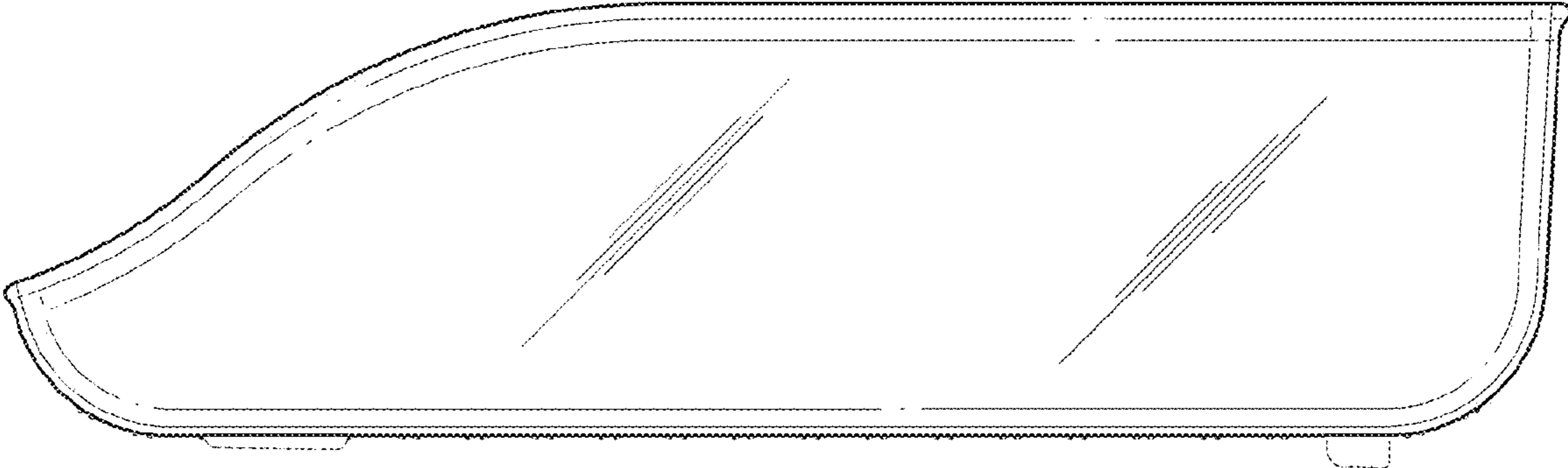
**FIG. 1**



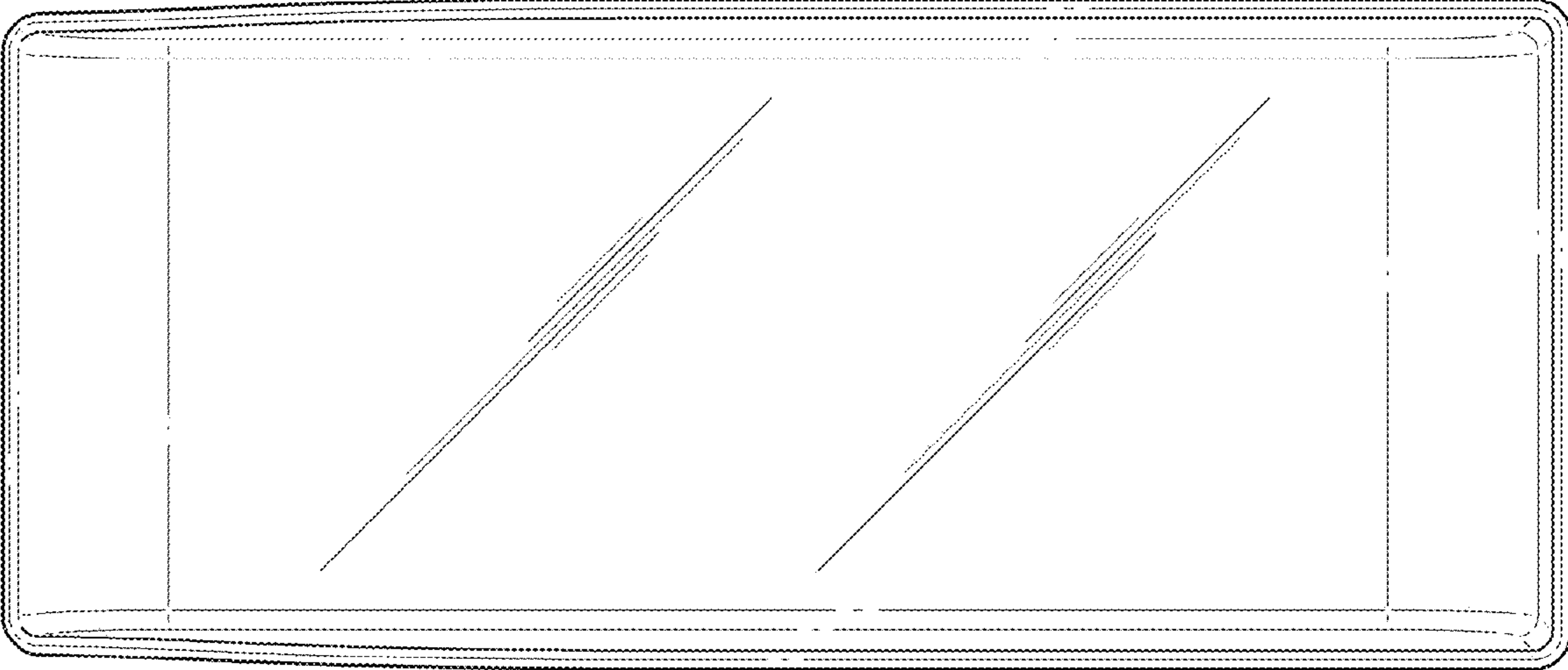
**FIG. 2**



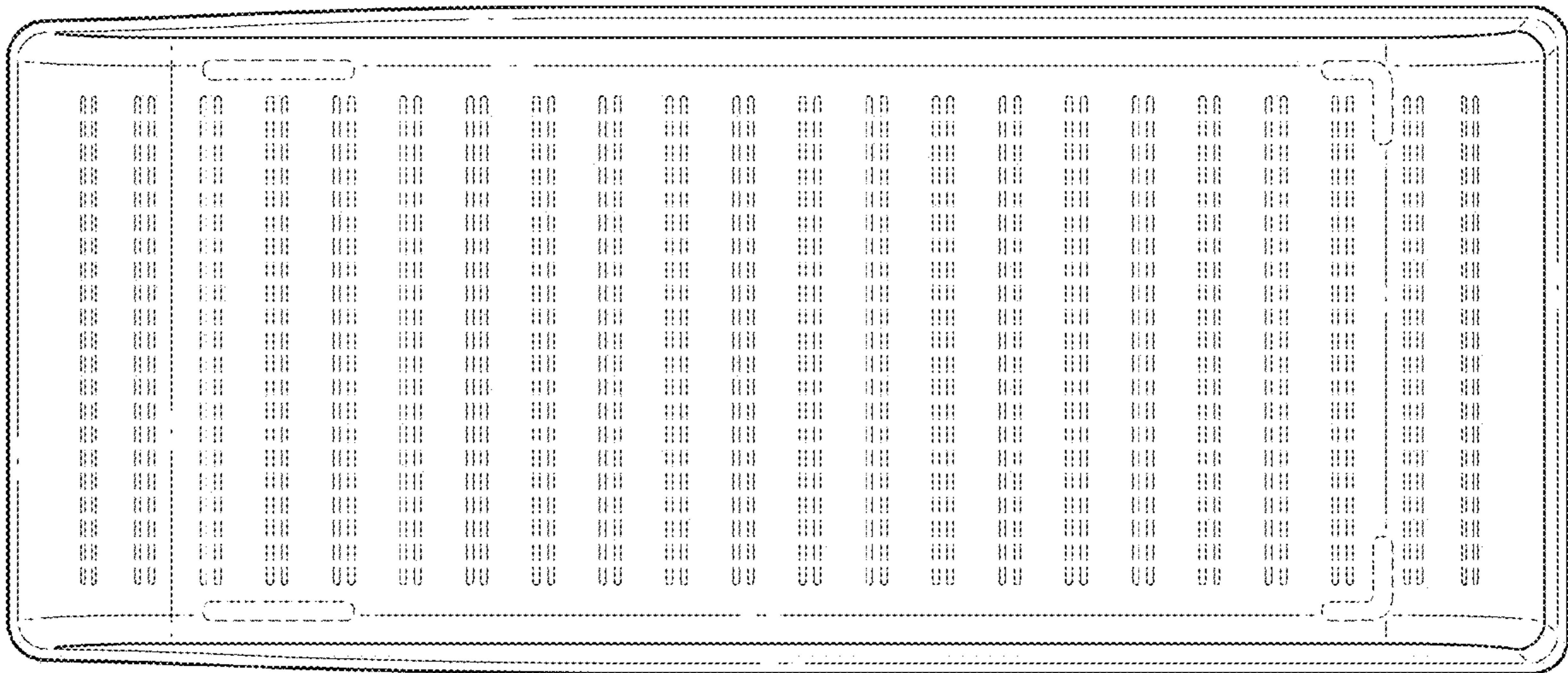
**FIG. 3**



**FIG. 4**



**FIG. 5**



**FIG. 6**