



US00D913693S

(12) **United States Design Patent** Spiegel et al. (10) **Patent No.:** **US D913,693 S**
(45) **Date of Patent:** **** Mar. 23, 2021**

(54) **CASE FOR ENCAPSULATING A ROLL OF COINS**

(71) Applicant: **Numismatic Guaranty Corporation**, Sarasota, FL (US)

(72) Inventors: **Max Spiegel**, Sarasota, FL (US); **Joseph R Yanarella, Jr.**, Wellington, FL (US); **Stephen Lam**, Hong Kong (CN)

(**) Term: **15 Years**

(21) Appl. No.: **29/675,414**

(22) Filed: **Dec. 31, 2018**

Related U.S. Application Data

(63) Continuation of application No. 29/579,780, filed on Oct. 3, 2016, now Pat. No. Des. 836,910.

(51) **LOC (13) Cl.** **03-01**

(52) **U.S. Cl.**
USPC **D3/302**

(58) **Field of Classification Search**
USPC D3/201, 272, 273, 302, 315, 316, 903;
D9/414, 424, 432; D6/663, 667, 672,
D6/675, 675.3, 682, 683, 512, 678, 678.2;
D7/612, 703, 408; D99/34, 35, 28;
215/26-28; 312/114; 220/62.22;
229/904.1, 406; 206/0.8, 0.81, 0.815,
206/0.82, 586, 807, 811
CPC .. B65D 21/0222; B65D 1/36; B65D 81/3294;
B65D 1/24; B65D 81/3261
See application file for complete search history.

(56) **References Cited**

U.S. PATENT DOCUMENTS

D212,413 S *	10/1968	Lacoste	D9/560
D244,085 S *	4/1977	Giddings	D9/432
D287,821 S *	1/1987	Holewinski	D9/414
D332,917 S *	2/1993	McDevitt	D9/423

(Continued)

OTHER PUBLICATIONS

Empty US Mint Tube by Bgasc, available Nov. 6, 2013, [online], [site visited Feb. 2, 2020]. Available from internet, URL: https://www.bgasc.com/product/empty-us-mint-american-silver-eagle-tube-holds-20-coins-for-storage-and-protection-in-stackable-square-tube-pk_empty_ase_tube/empty-coin-tubes (Year: 2013).*

(Continued)

Primary Examiner — W. A. Teddy Falloway

(74) *Attorney, Agent, or Firm* — Patent GC LLC; Alexander Franco

(57) **CLAIM**

The ornamental design for a case for encapsulating a roll of coins, as shown and described.

DESCRIPTION

The subject matter of this application is related to U.S. Design patent application Ser. No. 29/602,178, filed on Apr. 28, 2017.

FIG. 1 is a perspective view of a case for encapsulating a roll of coins.

FIG. 2 is an elevation view of a back side of the case showing a hologram on the surface of the back side. An encircled portion of the case is shown in an enlarged view in FIG. 8.

FIG. 3 is an elevation view of the front side of the case showing a certification label secured along an interior wall.

FIG. 4 is an elevation view of the left side of the case.

FIG. 5 is an elevation view of the right side of the case.

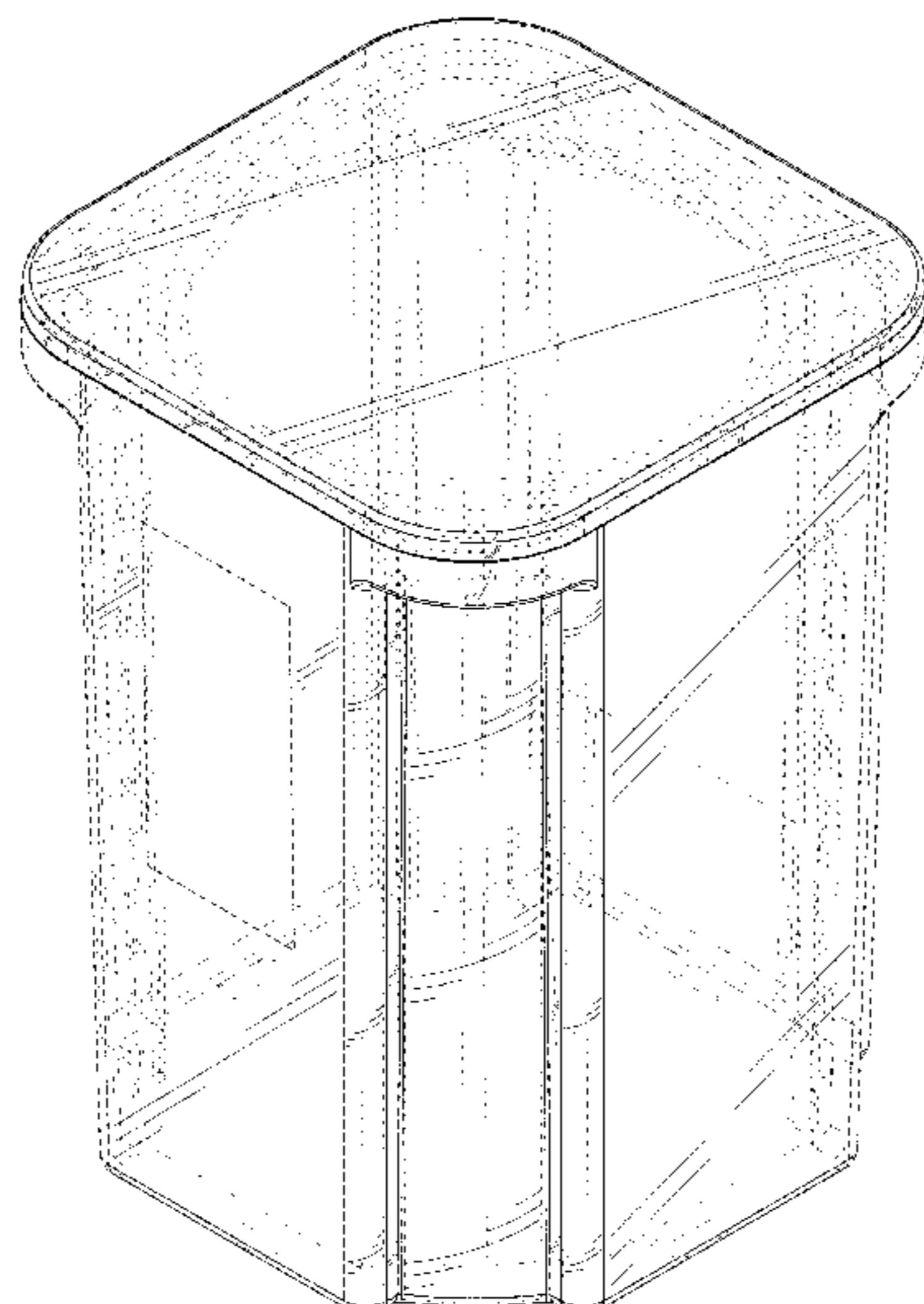
FIG. 6 is a plan view of the top side of the case.

FIG. 7 is a plan view of the bottom side of the case; and,

FIG. 8 is an enlarged view of the encircled portion of FIG. 2.

In the drawings, the broken lines illustrate portions of the case for encapsulating a roll of coins and form no part of the claimed design.

1 Claim, 8 Drawing Sheets



(56)

References Cited

U.S. PATENT DOCUMENTS

D340,154 S * 10/1993 Endelman D6/659
 D354,831 S * 1/1995 Anderson D99/35
 D426,087 S * 6/2000 Walls, Jr. D17/24
 D430,981 S * 9/2000 Walls, Jr. D6/661
 D455,335 S * 4/2002 Cort D8/374
 D461,654 S * 8/2002 Tamburello D6/661
 D462,294 S * 9/2002 Walsh D11/143
 D474,046 S * 5/2003 Brown, III D6/661
 D564,258 S * 3/2008 Palmer D6/675
 D610,448 S * 2/2010 Drozek D9/424
 D646,579 S * 10/2011 Rahe D9/560
 D669,777 S * 10/2012 Brown D9/424
 D680,858 S * 4/2013 Clark D9/414
 D696,051 S * 12/2013 Scatterday D6/680.2
 D696,110 S * 12/2013 Bergbohm D9/424
 D704,549 S * 5/2014 Liu D9/418
 D726,071 S * 4/2015 Aoyama D11/155
 D782,772 S * 3/2017 Crane D99/34
 D796,948 S * 9/2017 Lam D9/423
 D801,808 S * 11/2017 Irimia D9/432
 D807,168 S * 1/2018 Bouveret D9/425

9,916,711 B1 * 3/2018 Yanarella, Jr. G07D 9/004
 D832,698 S * 11/2018 Ugliodoro D9/432
 D836,910 S * 1/2019 Spiegel D3/302
 10,290,169 B2 * 5/2019 Yanarella, Jr. G07D 9/004
 D850,902 S * 6/2019 Raut D9/414
 10,668,472 B2 * 6/2020 Knight B01L 3/50825
 D896,520 S * 9/2020 Spiegel D3/302
 2004/0118737 A1 * 6/2004 Welsh B65D 21/0233
 206/508
 2005/0092633 A1 * 5/2005 Baechle B65D 61/00
 206/320
 2018/0308306 A1 10/2018 Yanarella et al.

OTHER PUBLICATIONS

Square Clear Plastic Tubes (by ClearTec Packaging), available Sep. 21, 2016, [online], [site visited Feb. 20, 2020]. Available from internet, URL: <https://web.archive.org/web/20170820075952/https://www.cleartecpackaging.com/tubes-rectangular.html> (Year: 2016).*
 USPTO File History, "U.S. Appl. No. 29/602,178".
 Other Information, "Numismatic Guaranty Corporation Roll of Coins", Jan. 1, 2015.

* cited by examiner

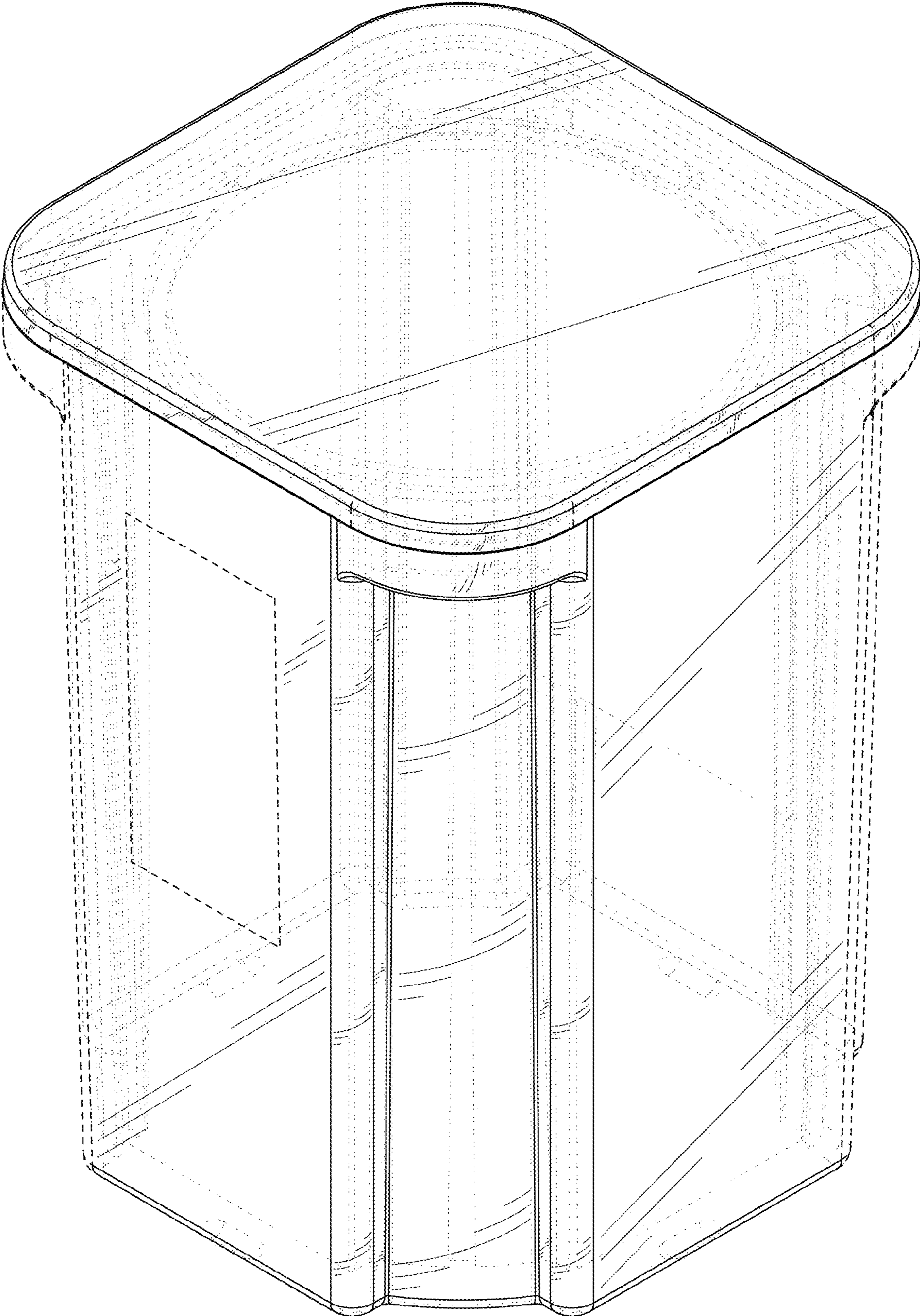


FIG. 1

SEE FIG. 8

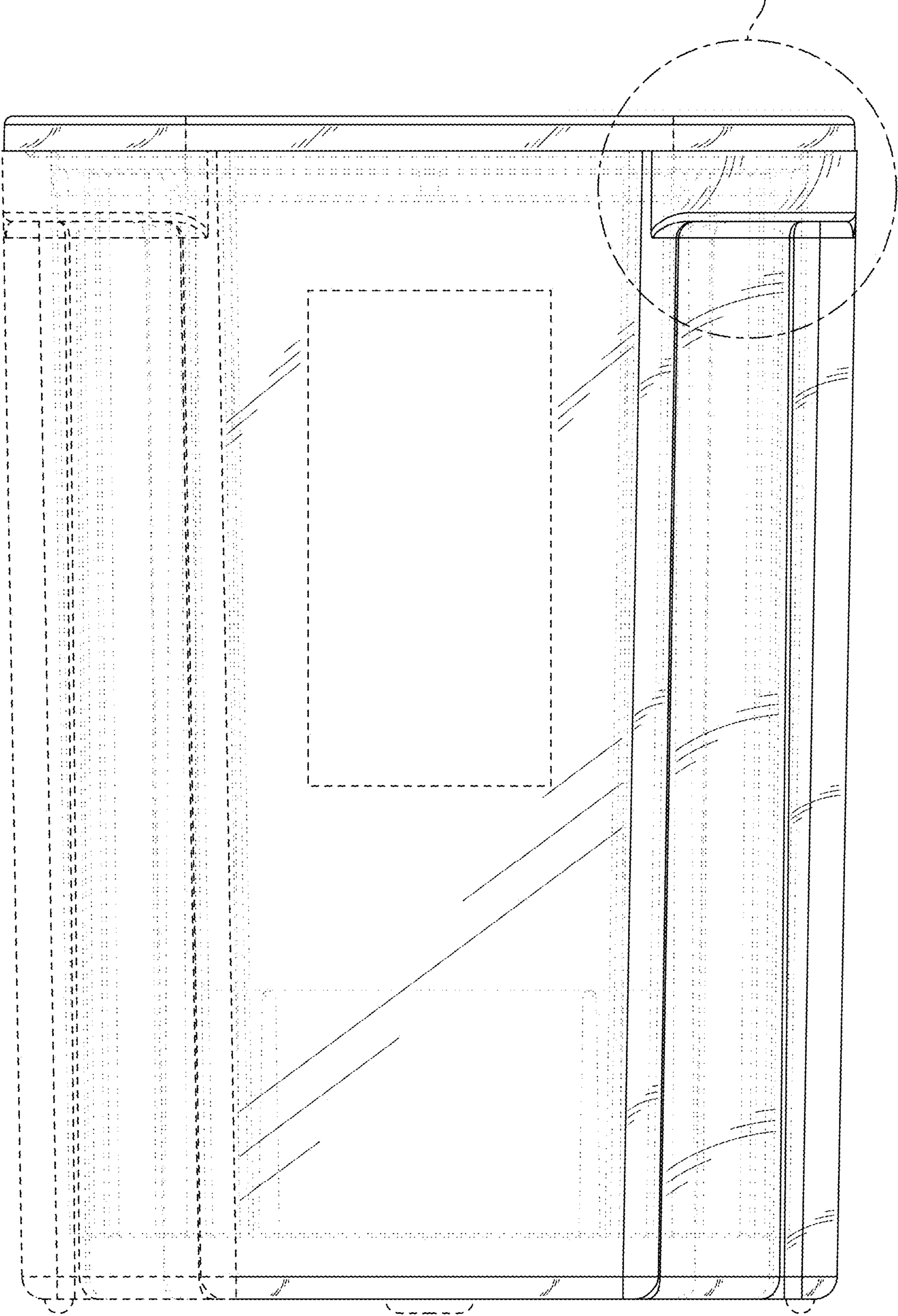


FIG. 2

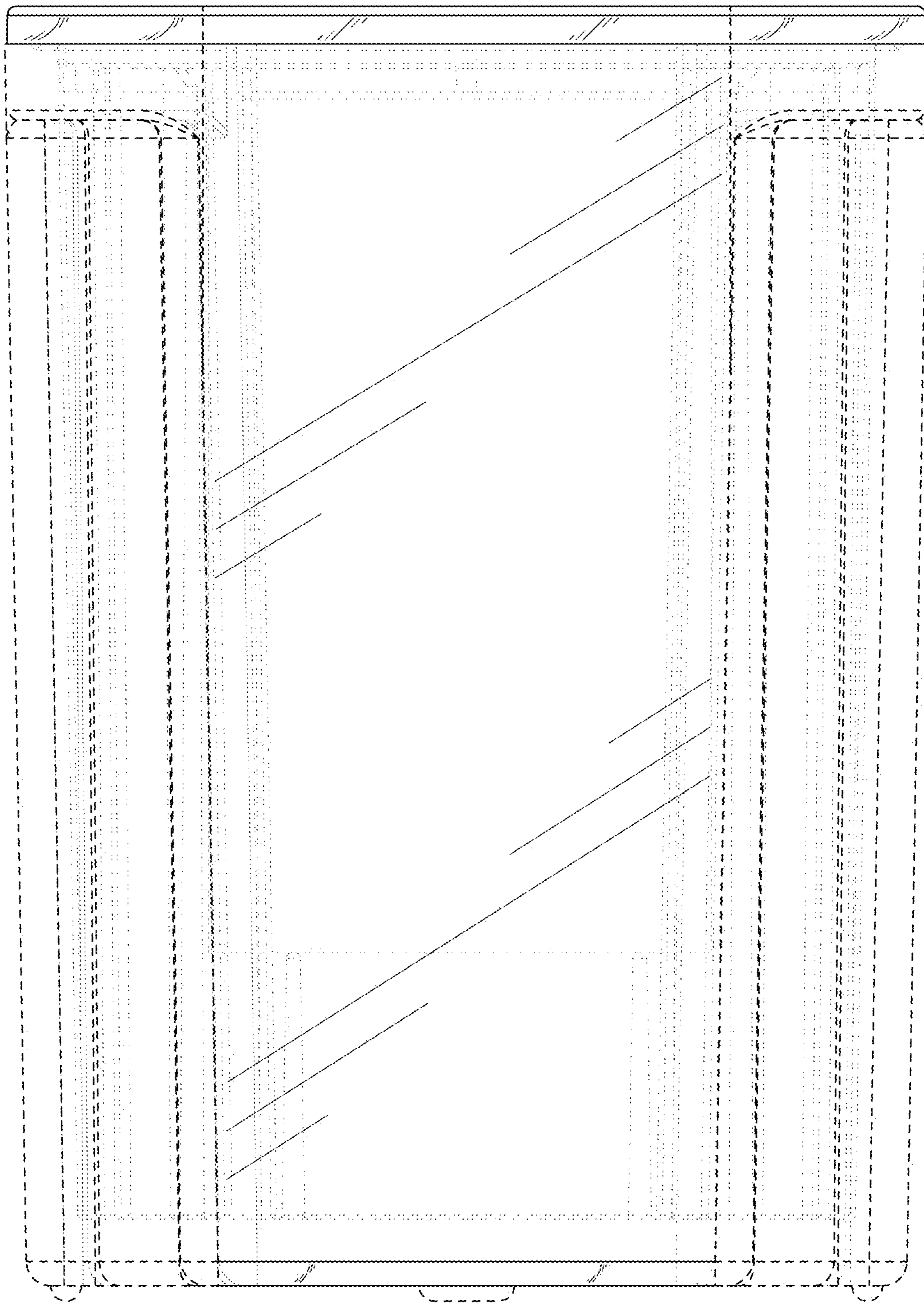


FIG. 3

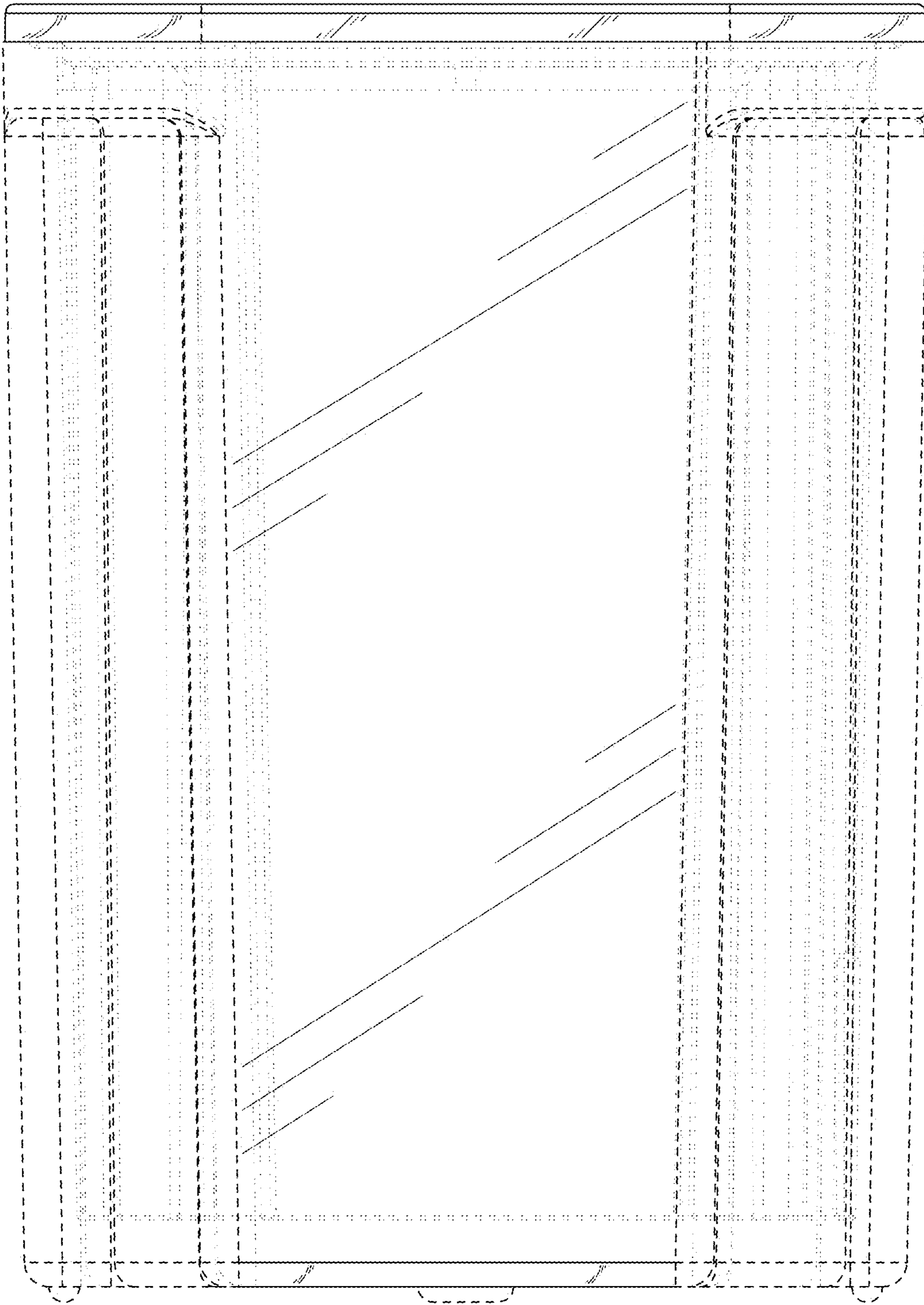


FIG. 4

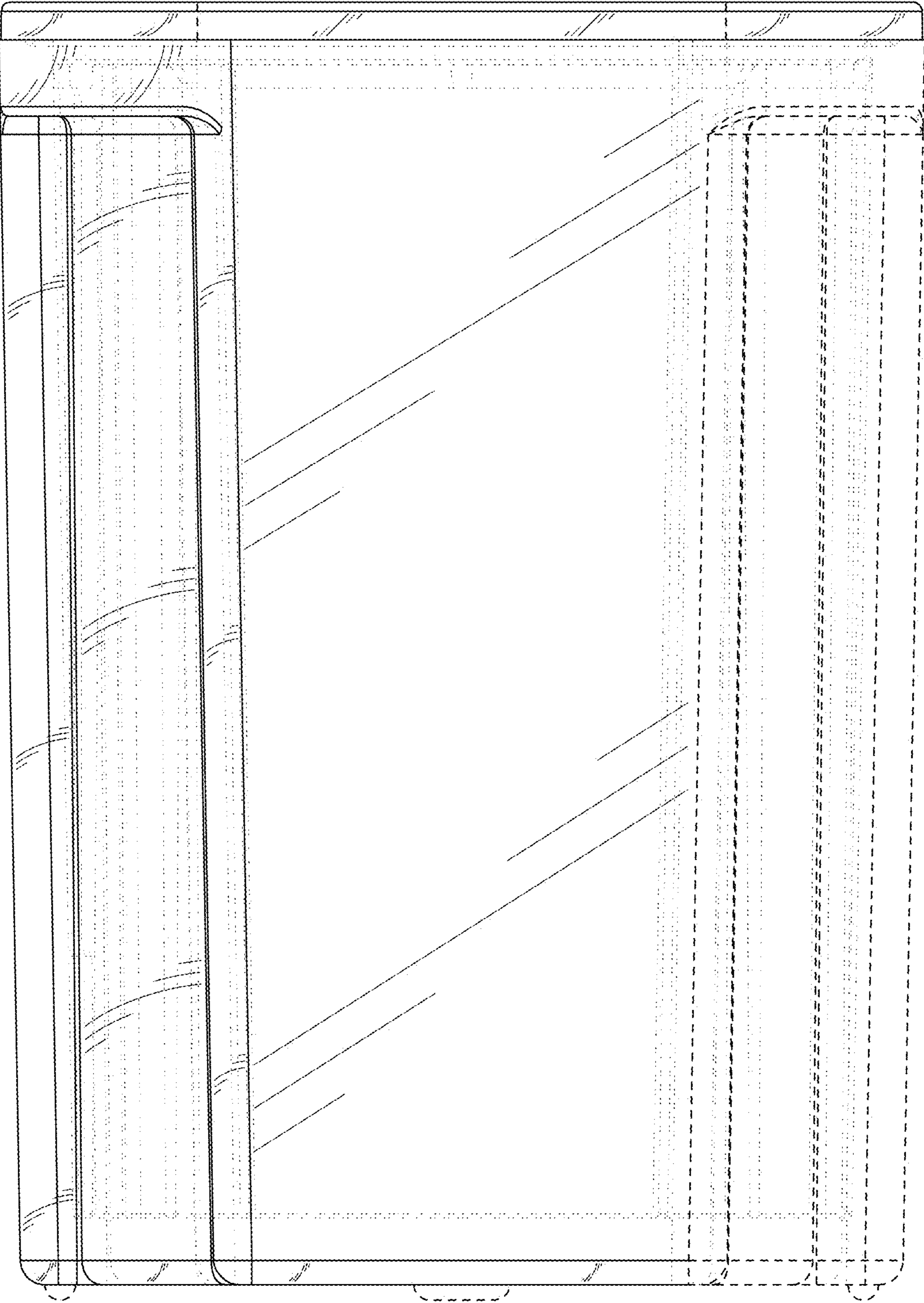


FIG. 5

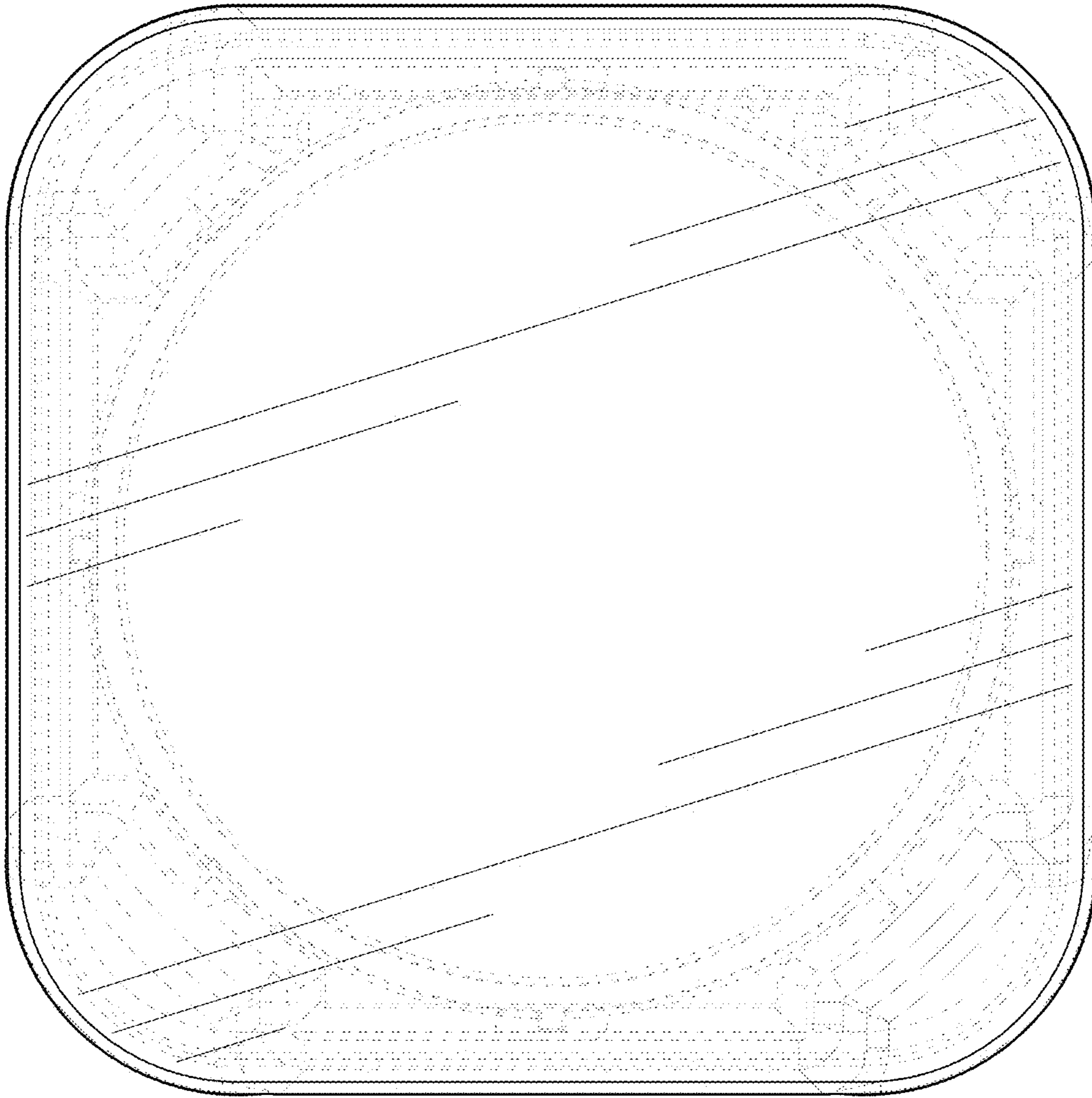


FIG. 6

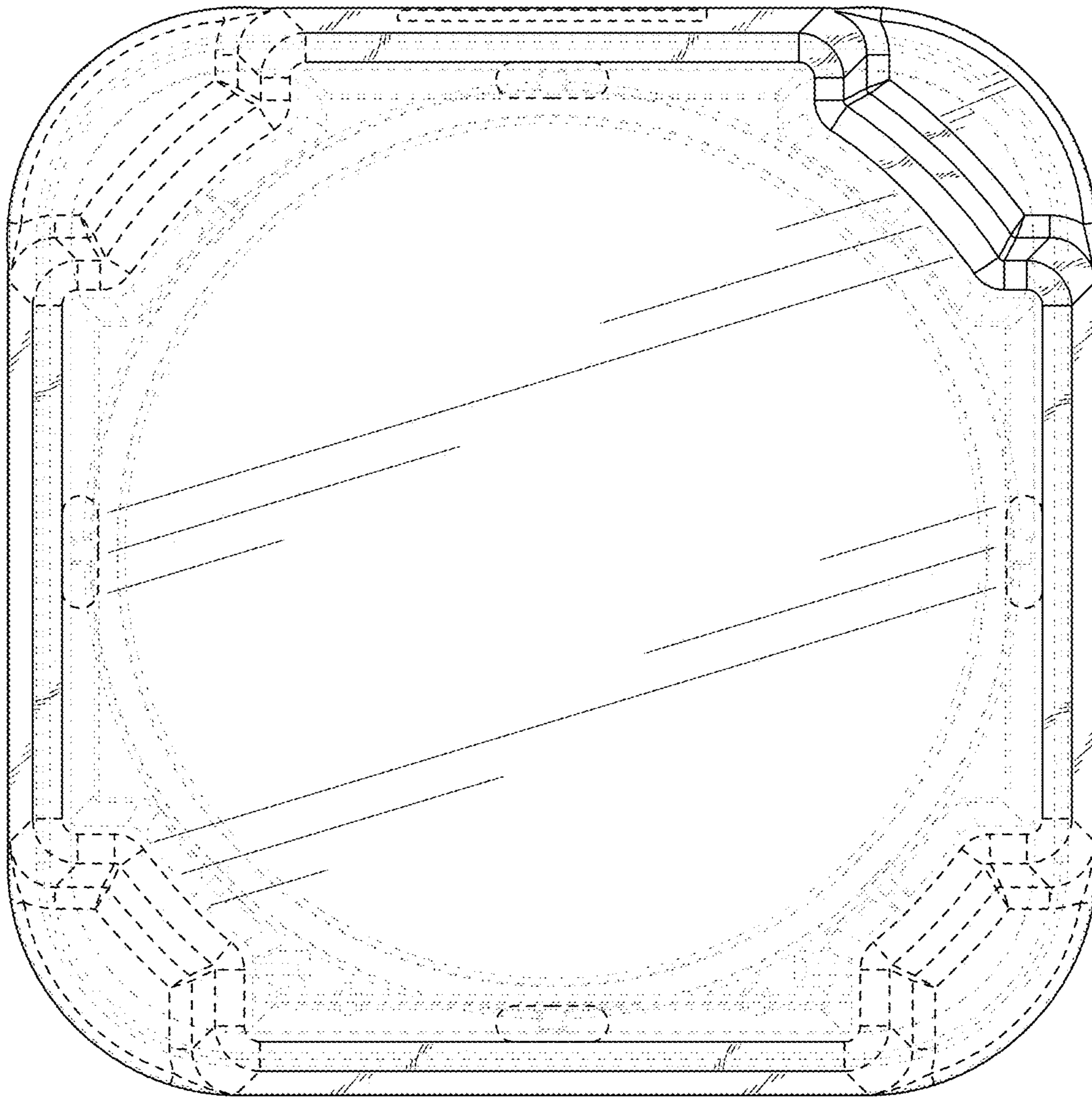


FIG. 7

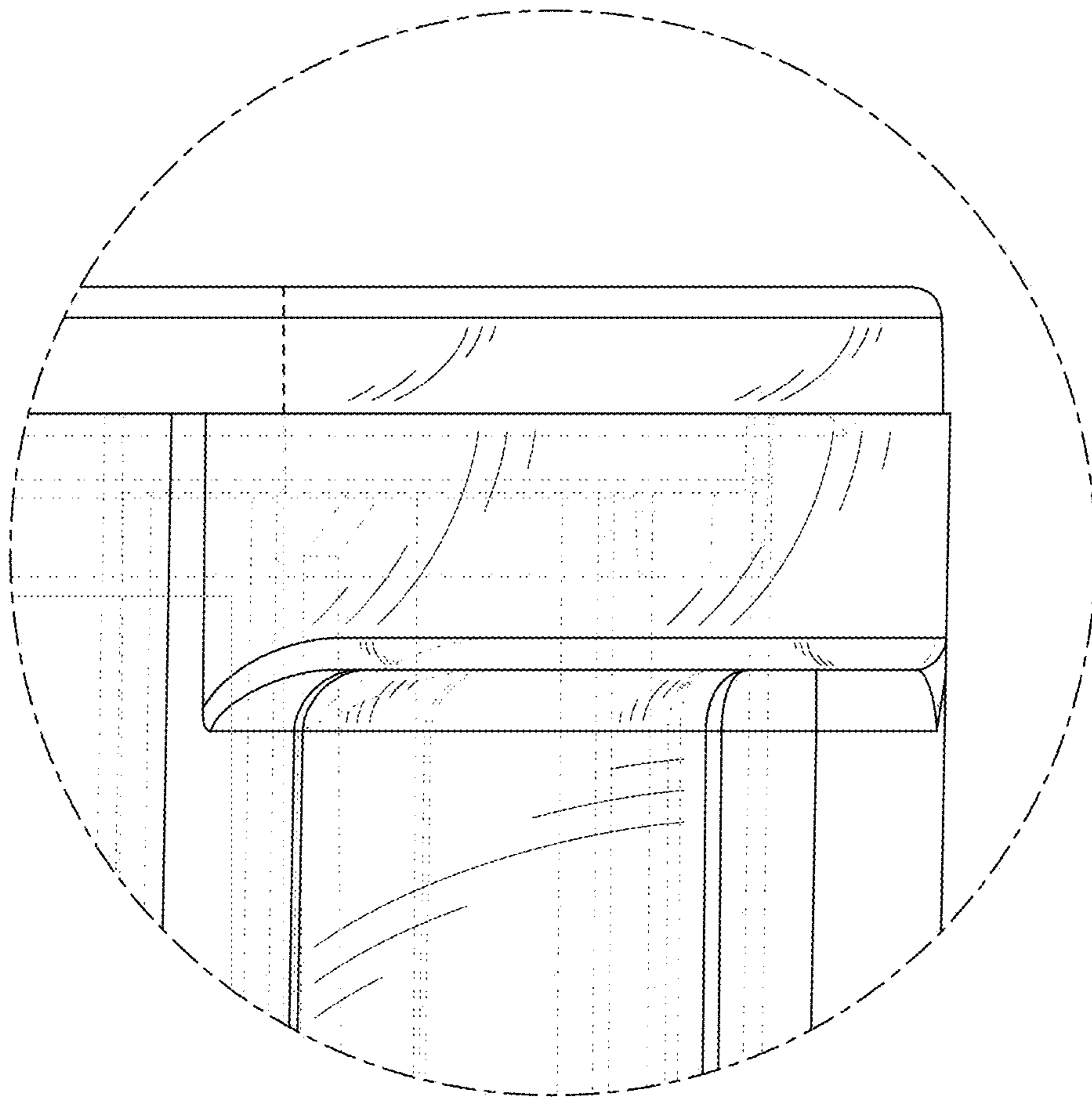


FIG. 8