



US00D913688S

(12) **United States Design Patent**
Zeller et al.

(10) **Patent No.:** **US D913,688 S**
(45) **Date of Patent:** **** Mar. 23, 2021**

(54) **LARGE BAG**

OTHER PUBLICATIONS

- (71) Applicant: **Delvaux Createur SA**, Brussels (BE)
- (72) Inventors: **Christina Zeller**, Brussels (BE); **Jean Colonna**, Paris (FR)
- (**) Term: **15 Years**
- (21) Appl. No.: **29/664,725**
- (22) Filed: **Sep. 27, 2018**
- (51) **LOC (13) Cl.** **03-01**
- (52) **U.S. Cl.**
USPC **D3/243**
- (58) **Field of Classification Search**
USPC D3/232–233, 240–243, 245–246
CPC A45C 1/024; A45C 3/06
See application file for complete search history.

- Delvaux Tempete Papillion, February 7, 2017, p. 1 (Year: 2017).*
- Delvaux Women’s and Men’s Collection, Autumn-Winter 2016-2017, 96 pages (Year: 2016).*
- Iakovou, Pascal, “Delvaux Collection Printemps—Ete 2018”, Nov. 28, 2017, 9 pages (Year: 2018).*
- Statement on First Public Disclosure, Sep. 2017, p. 1 (Year: 2017).*
- Delvaux Tempete Papillion, Feb. 7, 2017, 1 pg.
- Delvaux Women’s & Men’s Collection, Autumn-Winter 2016/2017, 96 pgs.
- Iakovou, Pascal, “Delvaux Collection Printemps-Ete 2018,” dated Nov. 28, 2017, 9 pgs.
- Statement on First Public Disclosure, Sep. 2017, 1 pg.

* cited by examiner

Primary Examiner — Holly E Thurman
(74) *Attorney, Agent, or Firm* — Porzio Bromberg & Newman P.C.

(56) **References Cited**

(57) **CLAIM**

U.S. PATENT DOCUMENTS

What is claimed is a large bag, as shown and described.

D698,144 S *	1/2014	Von Furstenberg	D3/243
D728,925 S *	5/2015	Von Furstenberg	D3/243
D774,756 S *	12/2016	Sassi	D3/243
D789,079 S *	6/2017	Michele	D3/232
D796,190 S *	9/2017	Fusi	D3/243
D798,046 S *	9/2017	Michele	D3/232
D799,818 S *	10/2017	Nair	D3/243
D810,427 S *	2/2018	Lopez Montoya	D3/243
D825,179 S *	8/2018	Tomasetta	D3/243
D836,334 S *	12/2018	Chung	A45C 3/06 D3/243

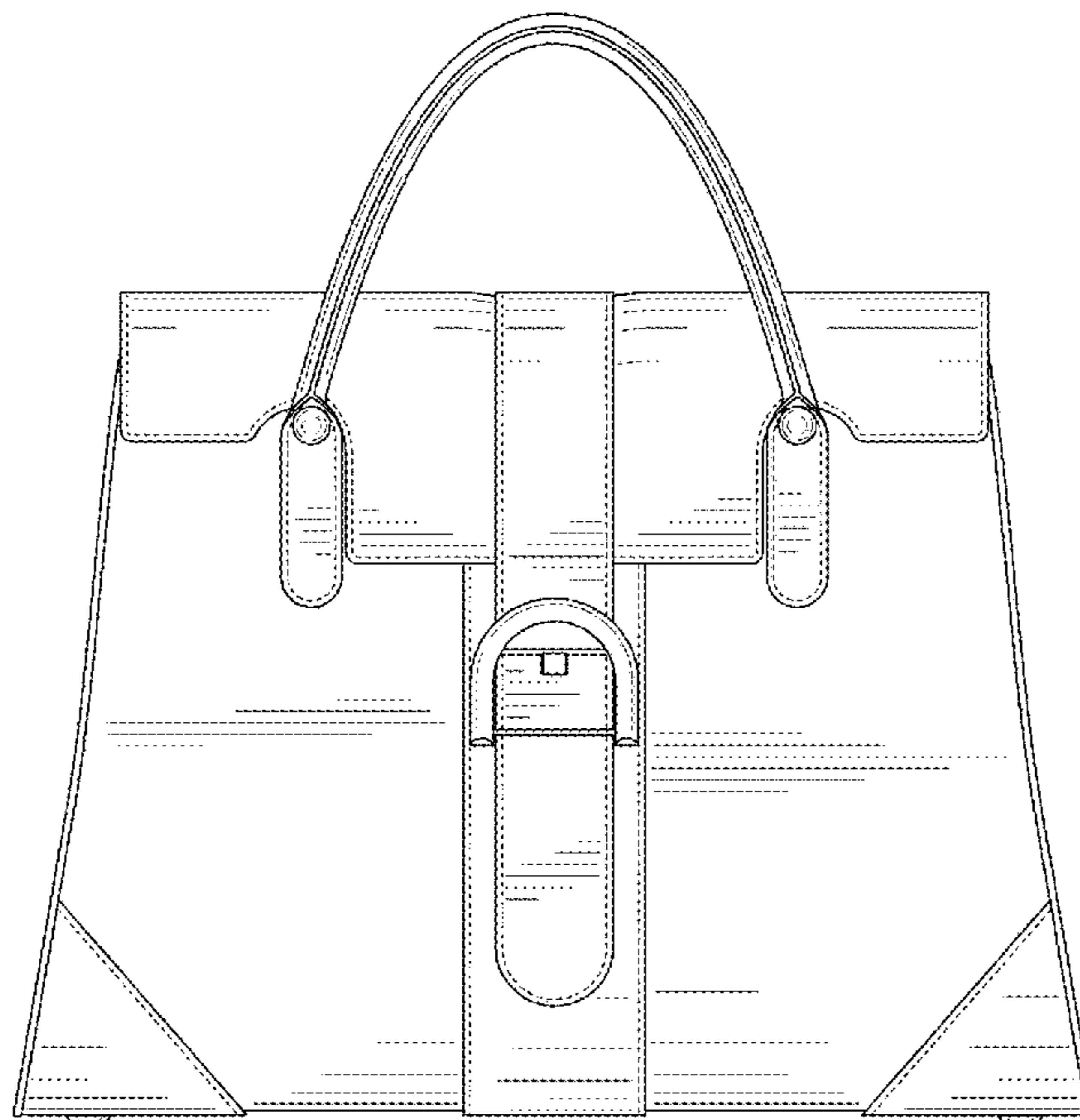
DESCRIPTION

FIG. 1 is a front view of a large bag.
FIG. 2 is a rear view of the large bag of FIG. 1.
FIG. 3 is a left side view of the large bag of FIG. 1.
FIG. 4 is a right side view of the large bag of FIG. 1.
FIG. 5 is a top view of the large bag of FIG. 1.
FIG. 6 is a bottom view of the large bag of FIG. 1; and,
FIG. 7 is a perspective view of the large bag of FIG. 1.
An embodiment of a large bag is depicted.
The broken lines represent stitching and form part of the claimed design.

FOREIGN PATENT DOCUMENTS

EM	000705108-0004	4/2007
EM	002173880-0002	1/2013

1 Claim, 5 Drawing Sheets



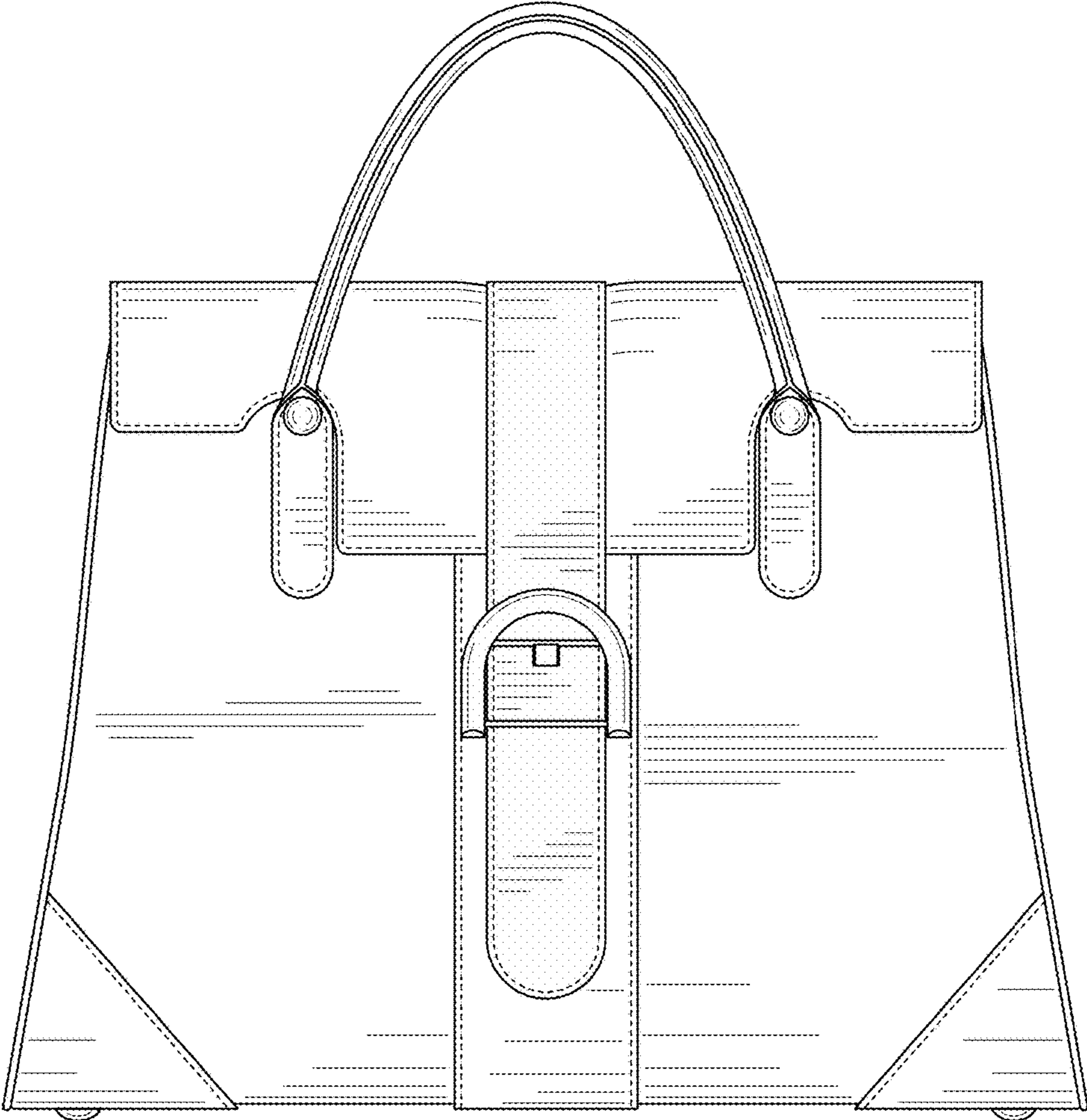


Figure 1



Figure 2

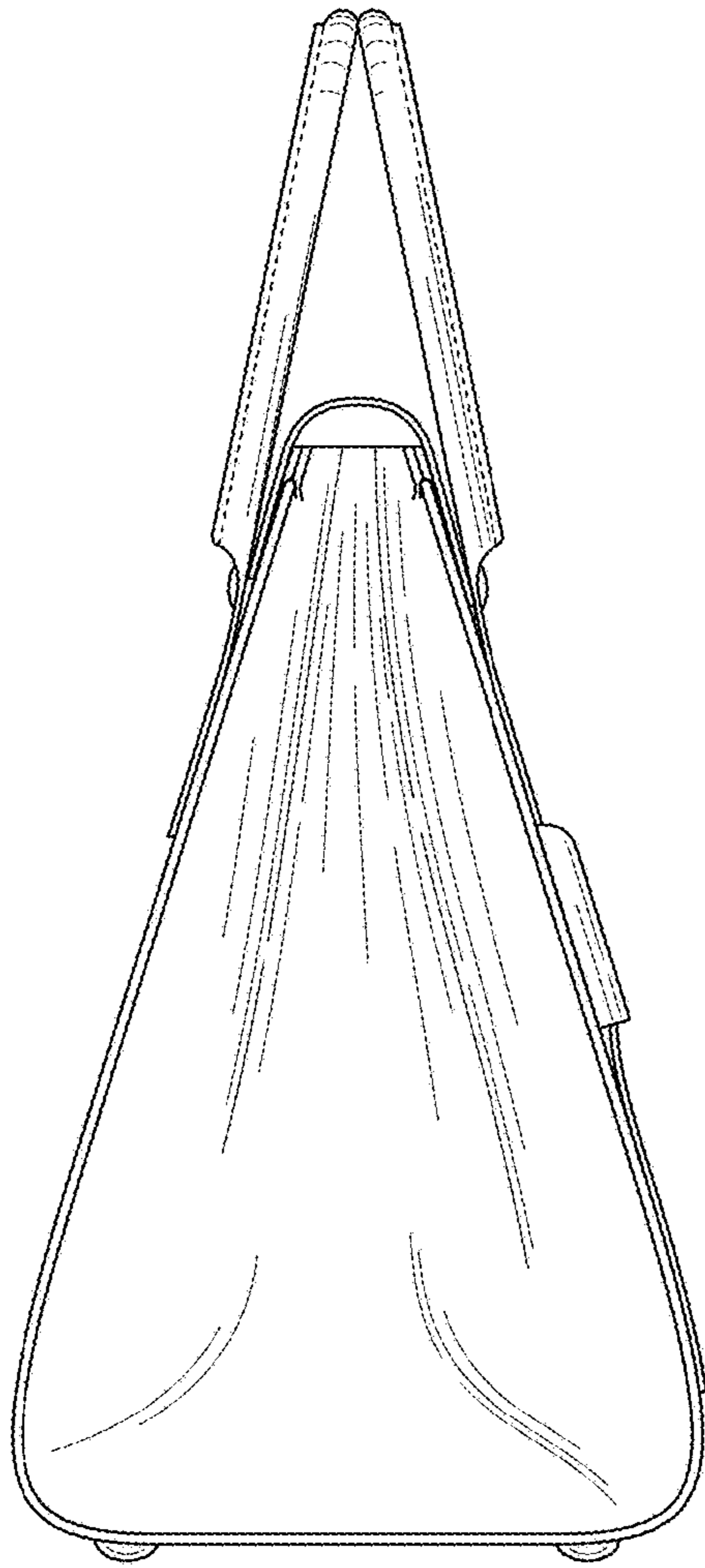


Figure 3

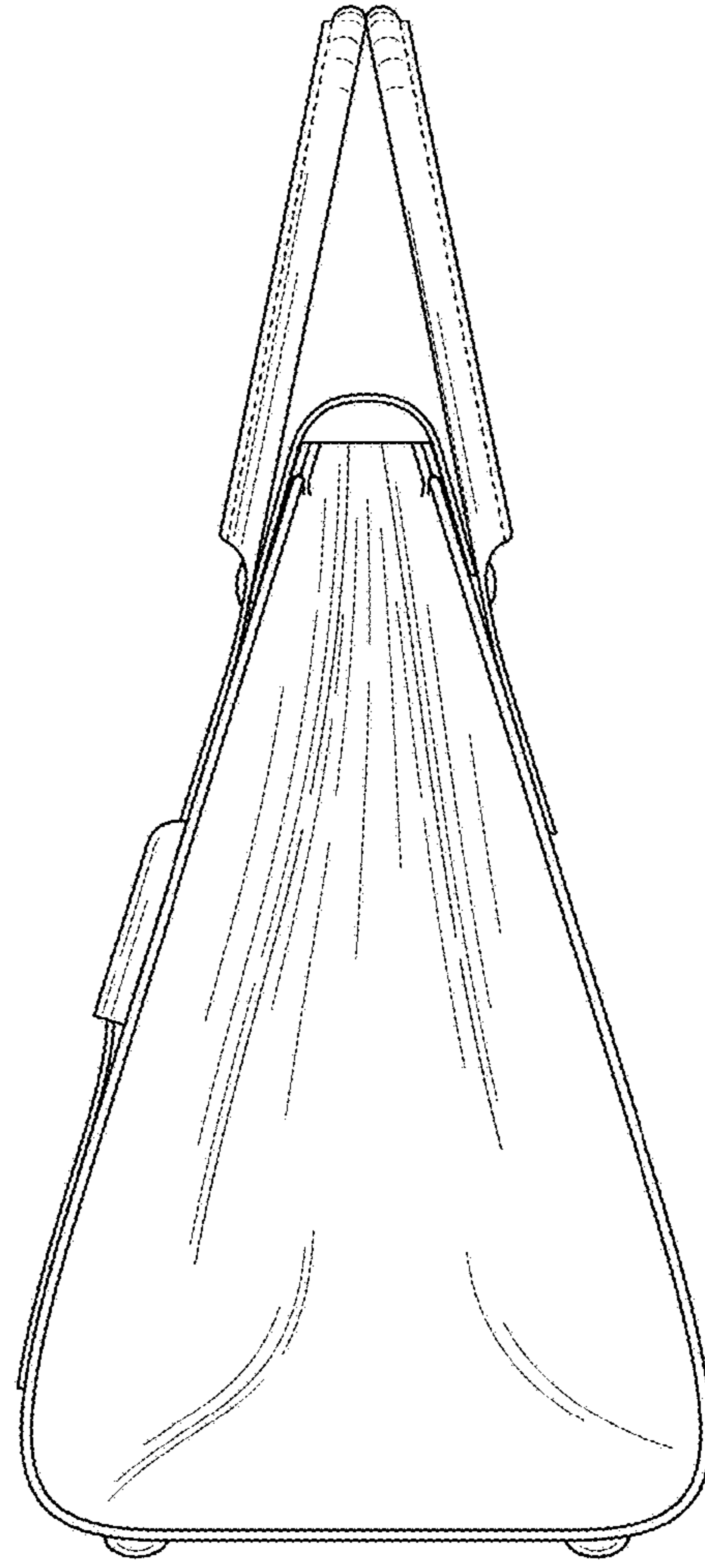


Figure 4

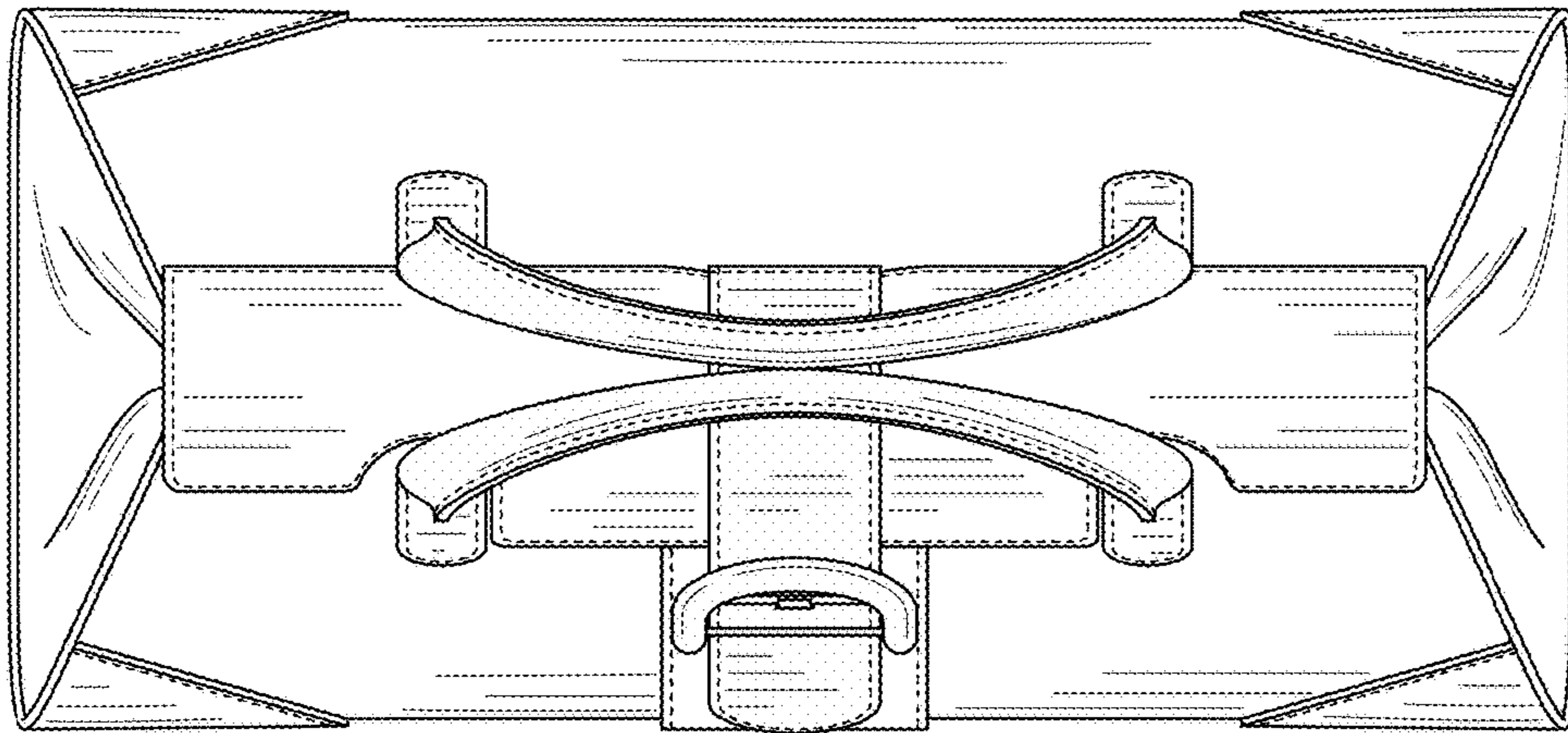


Figure 5

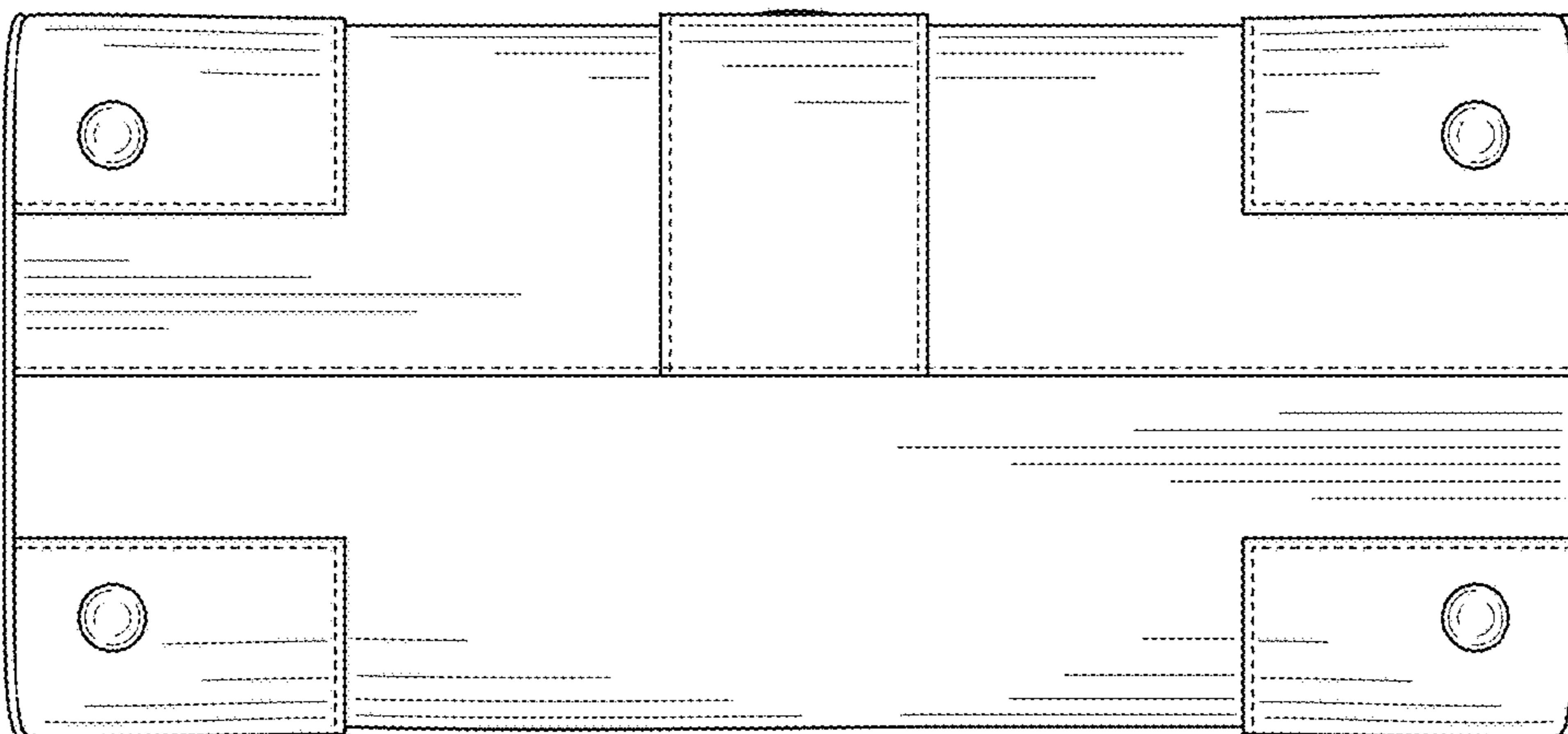


Figure 6



Figure 7