



US00D913687S

(12) **United States Design Patent** (10) **Patent No.:** **US D913,687 S**
Rodriguez (45) **Date of Patent:** **** Mar. 23, 2021**

(54) **JACKET WITH SADDLE BAGS**
(71) Applicant: **Dilgilio Rodriguez**, Laurelton, NY (US)
(72) Inventor: **Dilgilio Rodriguez**, Laurelton, NY (US)
(**) Term: **15 Years**
(21) Appl. No.: **29/696,274**
(22) Filed: **Jun. 26, 2019**
(51) **LOC (13) Cl.** **03-01**
(52) **U.S. Cl.**
USPC **D3/231**
(58) **Field of Classification Search**
USPC D3/226–227, 231–232; D2/828–830,
D2/863–864, 750, 761, 839
CPC A45C 1/00; A45C 1/024; A45C 2001/101;
A45C 2003/005; A45C 3/00
See application file for complete search history.

D747,872 S * 1/2016 Paterno D3/232
D761,554 S * 7/2016 Zwetzig D3/226
D822,984 S * 7/2018 West D3/231
D858,978 S * 9/2019 Dumas D3/232
2015/0122672 A1* 5/2015 Bouton-MacLaughlin
A45C 9/00
206/216

* cited by examiner

Primary Examiner — Kevin K Rudzinski
Assistant Examiner — J. Thorn, Sr.
(74) *Attorney, Agent, or Firm* — Dunlap Bennett &
Ludwig, PLLC

(57) **CLAIM**

The ornamental design for a jacket with saddle bags, substantially as shown and described.

DESCRIPTION

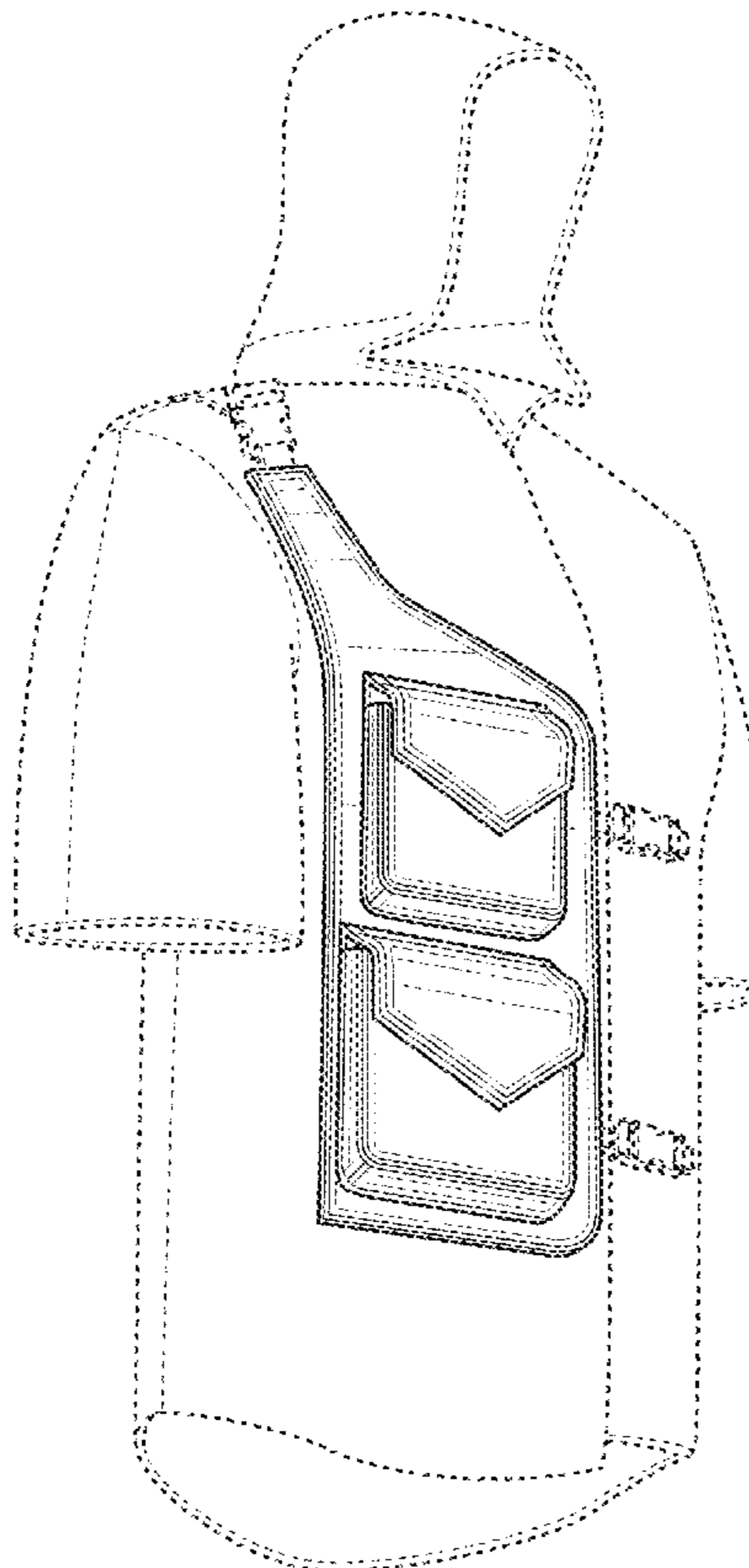
FIG. 1 is a perspective view of a jacket with saddle bags, showing my new design;
FIG. 2 is a front elevation view thereof;
FIG. 3 is a rear elevation view thereof;
FIG. 4 is a right-side elevation view thereof;
FIG. 5 is a left-side elevation view thereof;
FIG. 6 is a top plan view thereof; and,
FIG. 7 is a bottom plan view thereof.
The broken lines shown in the drawings depict portions of the jacket with saddle bags that form no part of the claimed design.

(56) **References Cited**

U.S. PATENT DOCUMENTS

D82,747 S * 12/1930 Hussey D3/231
5,129,560 A * 7/1992 Herman A45F 3/00
224/153
D371,457 S * 7/1996 Jacobs 224/609
D509,057 S * 9/2005 Bollig D3/226
D656,726 S * 4/2012 Flores D3/232
D681,920 S * 5/2013 Escoto D2/839
D704,436 S * 5/2014 Hickman D3/231

1 Claim, 4 Drawing Sheets



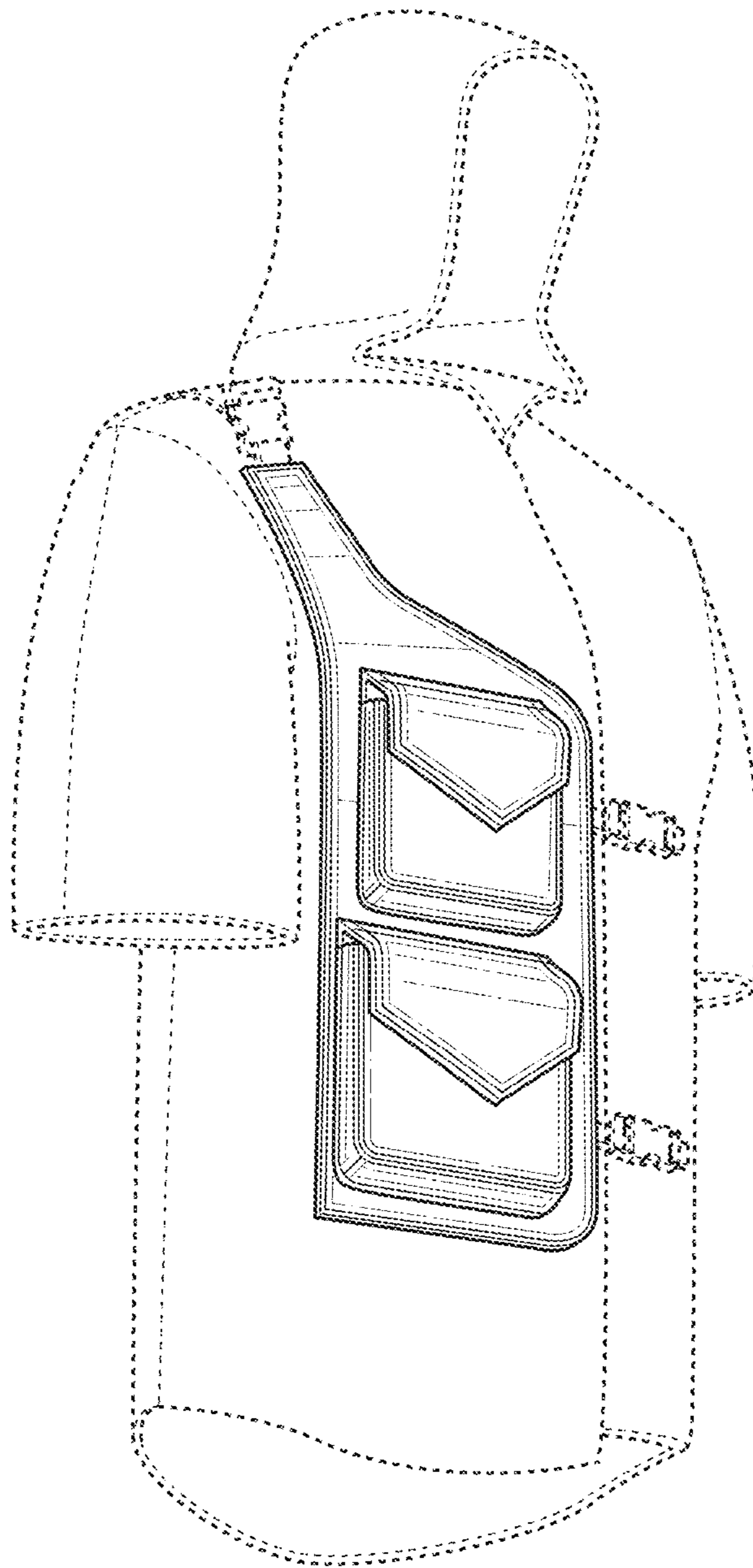


FIG. 1

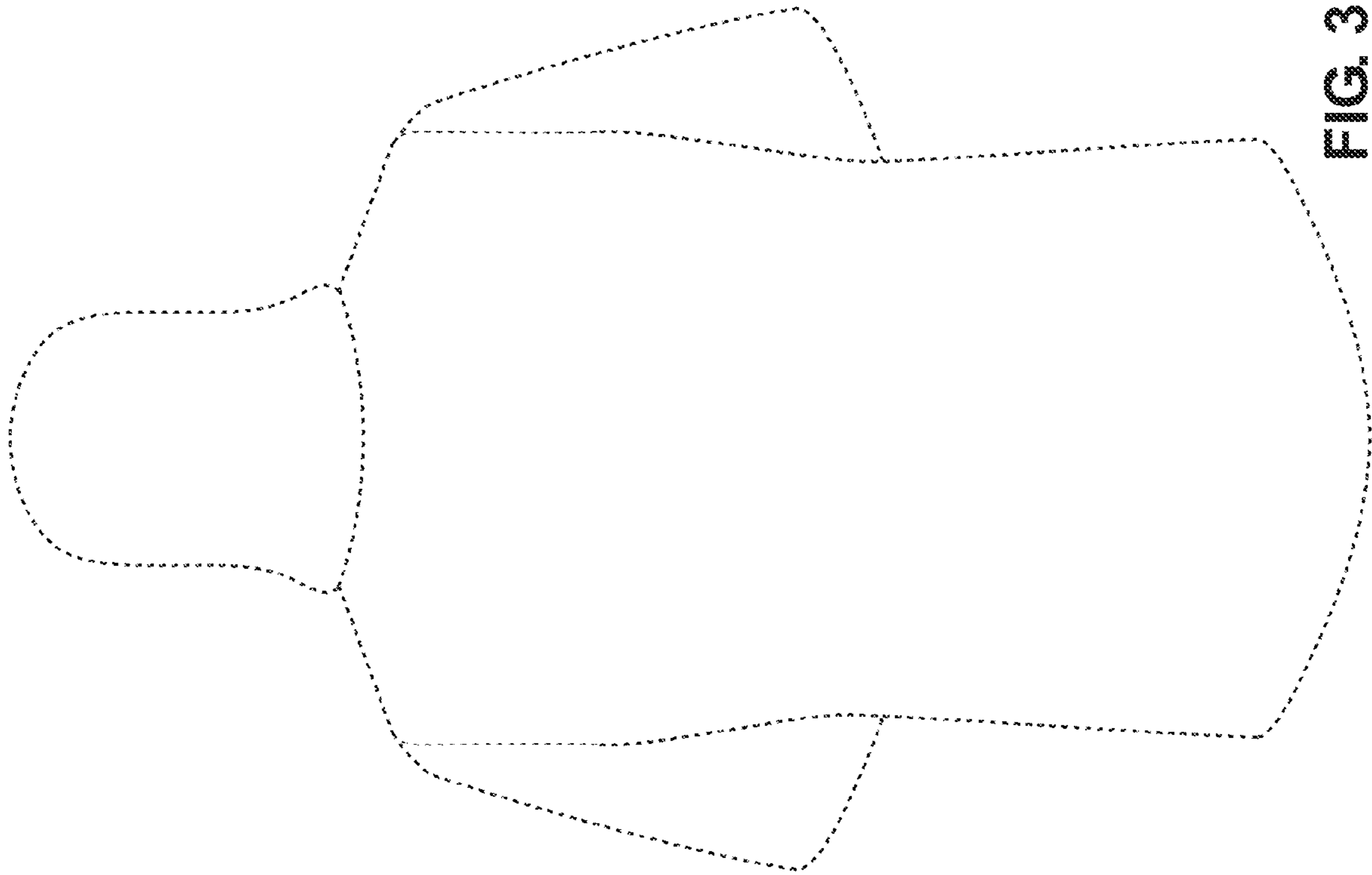


FIG. 3

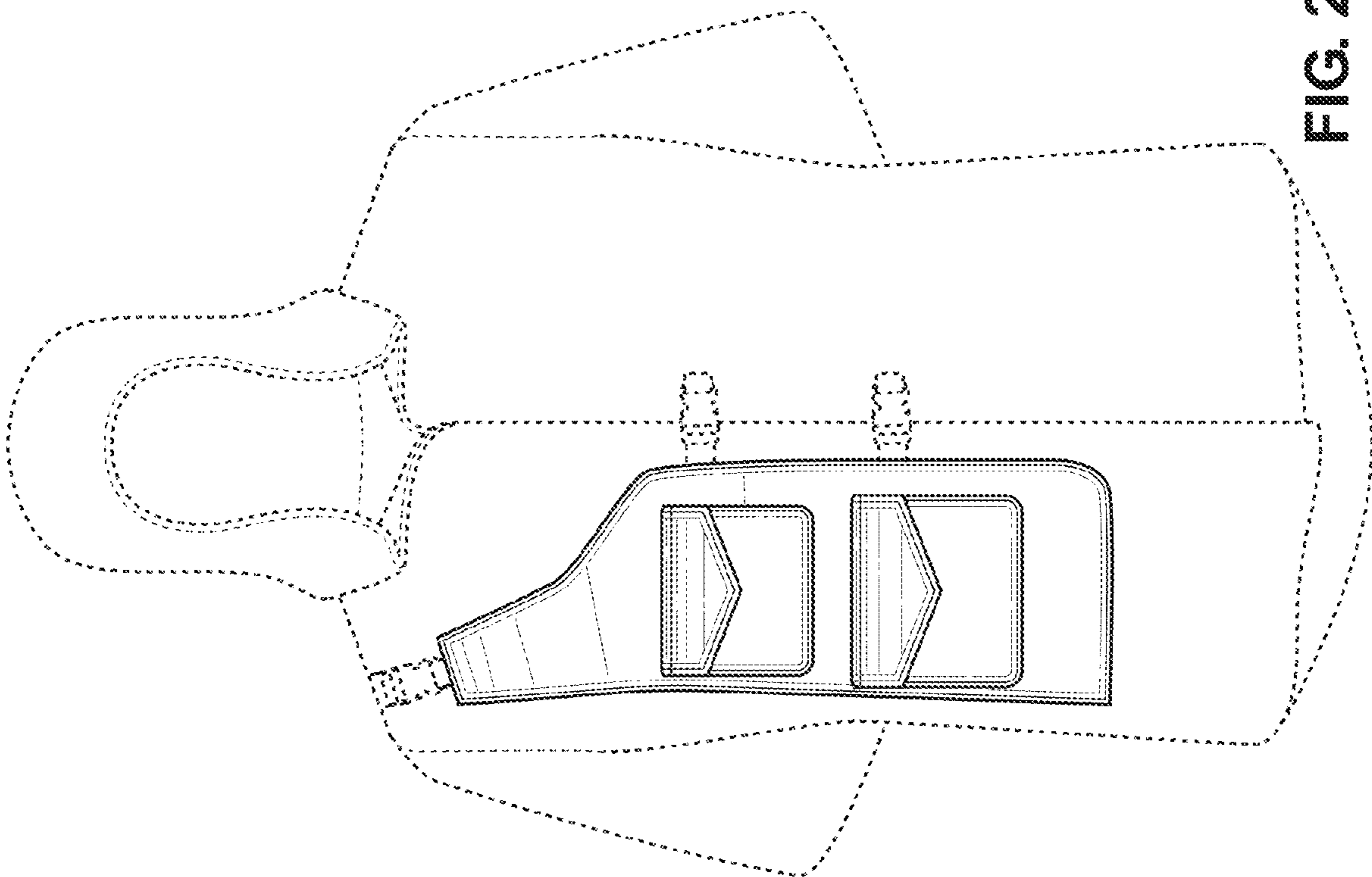


FIG. 2

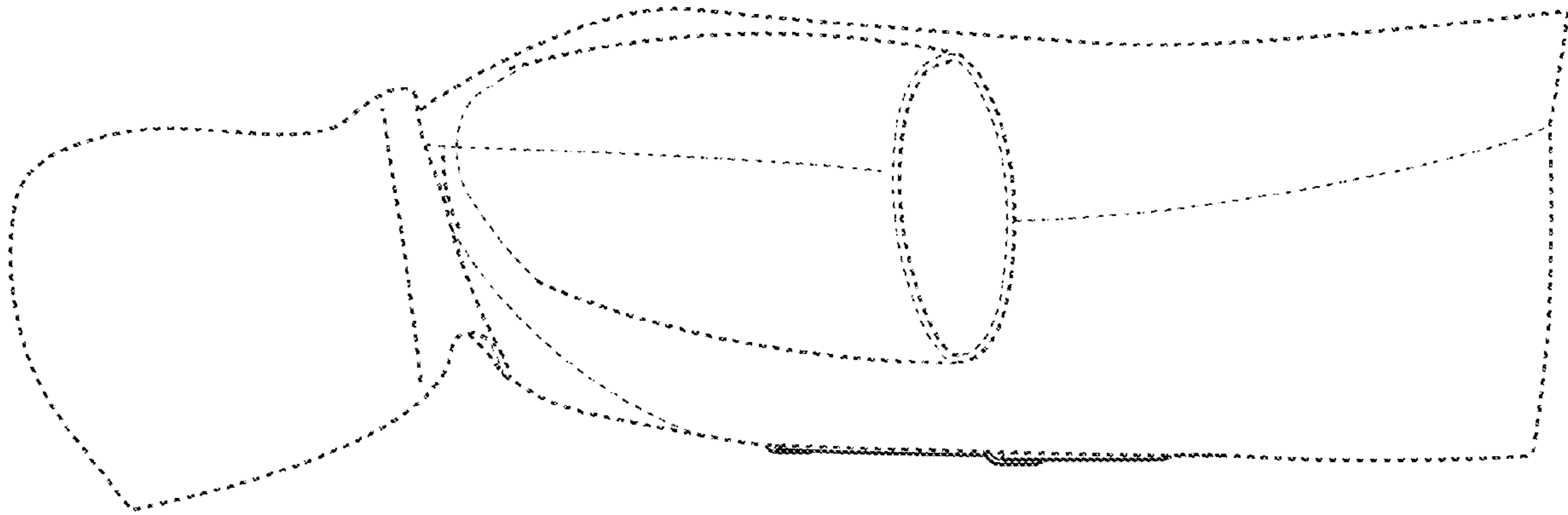


FIG. 5

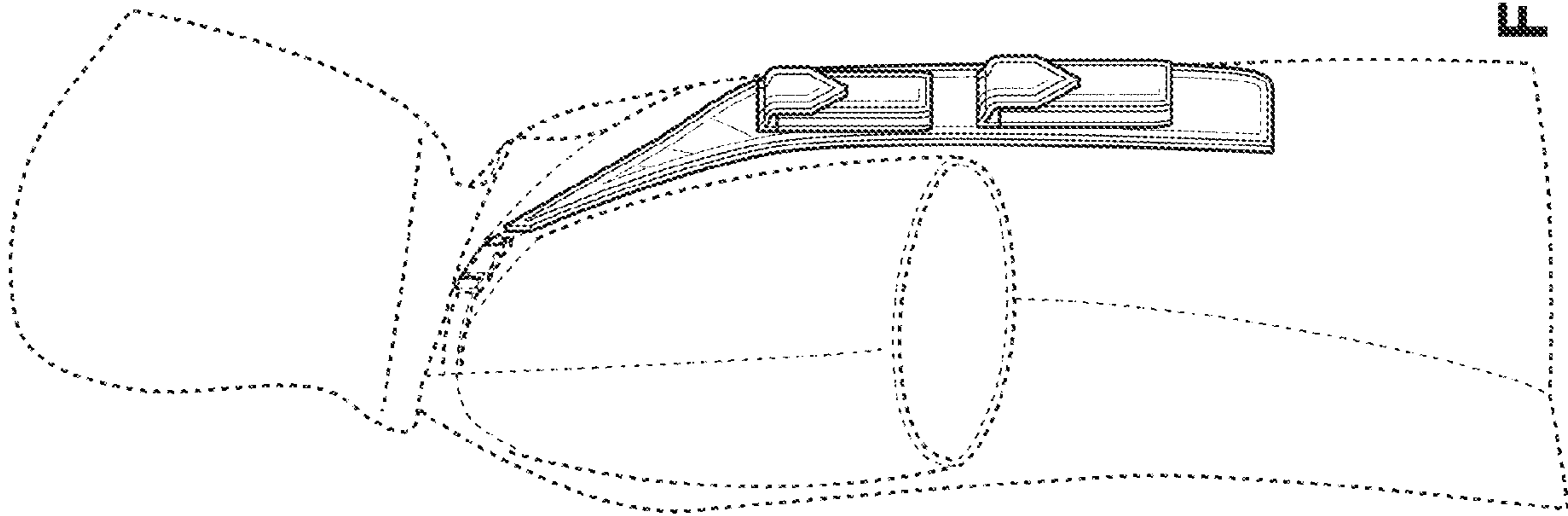


FIG. 4

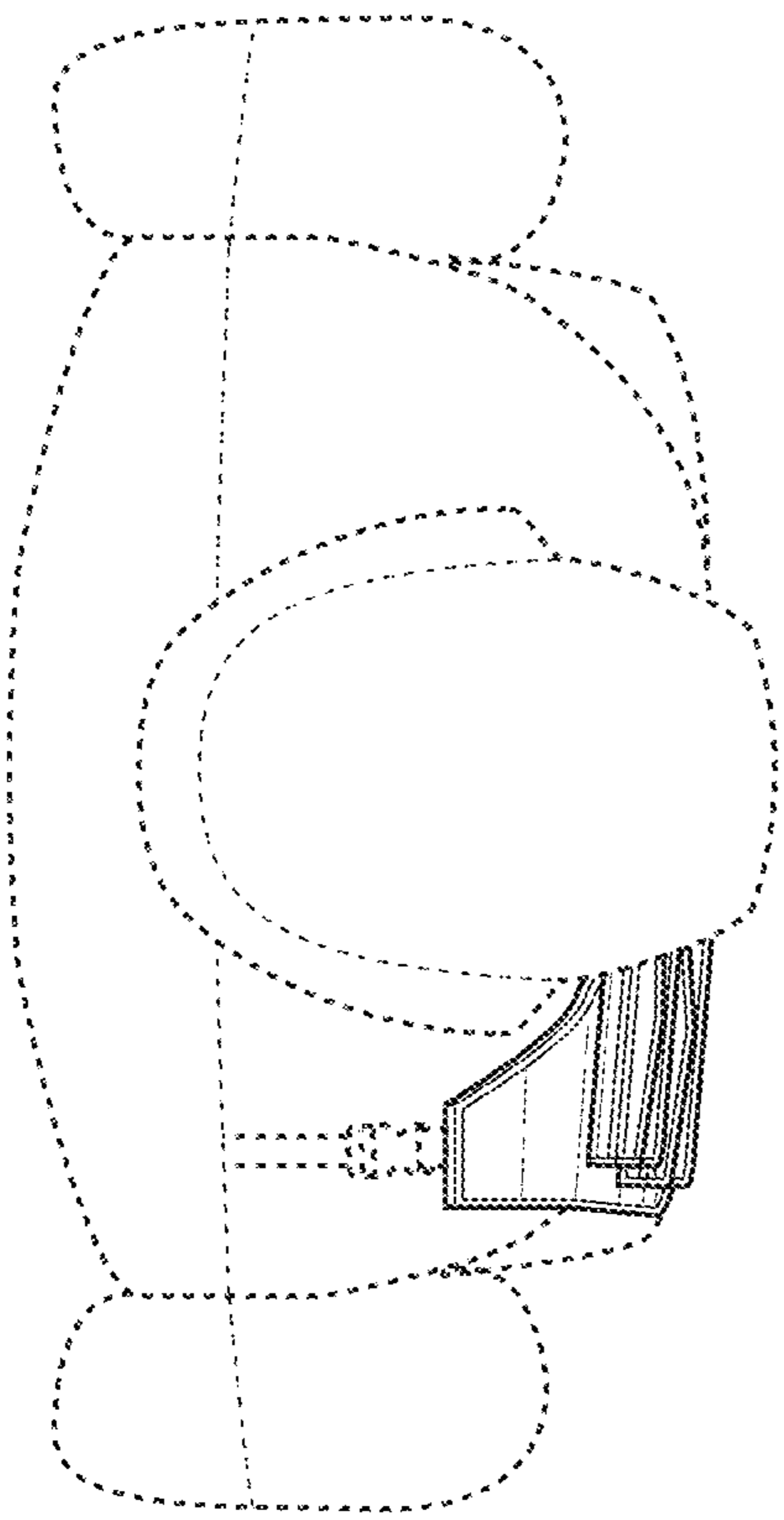


FIG. 6

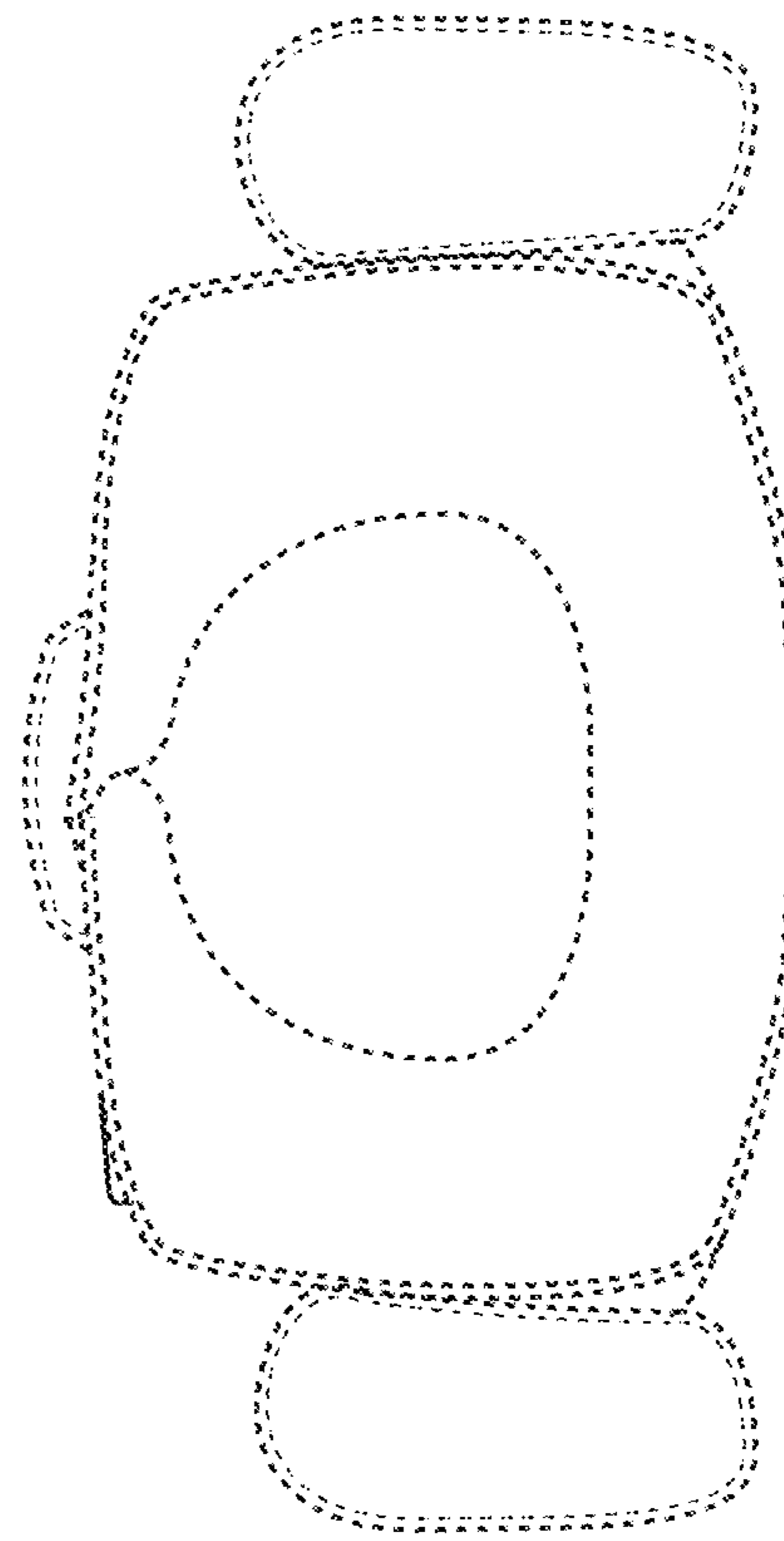


FIG. 7