



US00D913686S

(12) **United States Design Patent** (10) **Patent No.:** **US D913,686 S**  
**Houck** (45) **Date of Patent:** **\*\* Mar. 23, 2021**

(54) **HOLSTER**

(56) **References Cited**

(71) Applicant: **Vista Outdoor Operations LLC**,  
Anoka, MN (US)  
(72) Inventor: **Larry A. Houck**, Louisburg, KS (US)  
(73) Assignee: **Vista Outdoor Operations LLC**,  
Anoka, MN (US)  
(\*\*) Term: **15 Years**  
(21) Appl. No.: **29/731,954**  
(22) Filed: **Apr. 20, 2020**

U.S. PATENT DOCUMENTS

D613,941	S	*	4/2010	Daniel	.....	D3/222
D702,935	S	*	4/2014	Rogers	.....	D3/222
D735,471	S	*	8/2015	Faifer	.....	D3/222
D830,687	S	*	10/2018	Sciacca	.....	D3/222
D838,102	S	*	1/2019	Sereday	.....	D3/222
D853,110	S	*	7/2019	Sereday	.....	D3/222
2013/0193172	A1	*	8/2013	Damkot	.....	F41C 33/0209 224/191
2016/0273878	A1	*	9/2016	Sereday	.....	F41C 33/041

\* cited by examiner

*Primary Examiner* — Catherine R Oliver-Garcia  
(74) *Attorney, Agent, or Firm* — Reed Smith LLP;  
Matthew P. Frederick; Cheryl L. Gastineau

**Related U.S. Application Data**

(63) Continuation of application No. 29/677,360, filed on  
Jan. 18, 2019, now Pat. No. Des. 881,557.  
(51) **LOC (13) Cl.** ..... **03-01**  
(52) **U.S. Cl.**  
USPC ..... **D3/222**  
(58) **Field of Classification Search**  
USPC ..... D3/222; 224/191–193, 238–239,  
224/243–244, 587, 672, 911–912, 901.4,  
224/931; 42/90, 106  
CPC ..... A45F 5/00; A45F 5/02; A45F 2003/003;  
A45F 2200/0591; A45F 2200/105; F41C  
33/02; F41C 33/0209; F41C 33/0227;  
F41C 33/0236; F41C 33/041; F41C  
33/0263; F41C 33/048

See application file for complete search history.

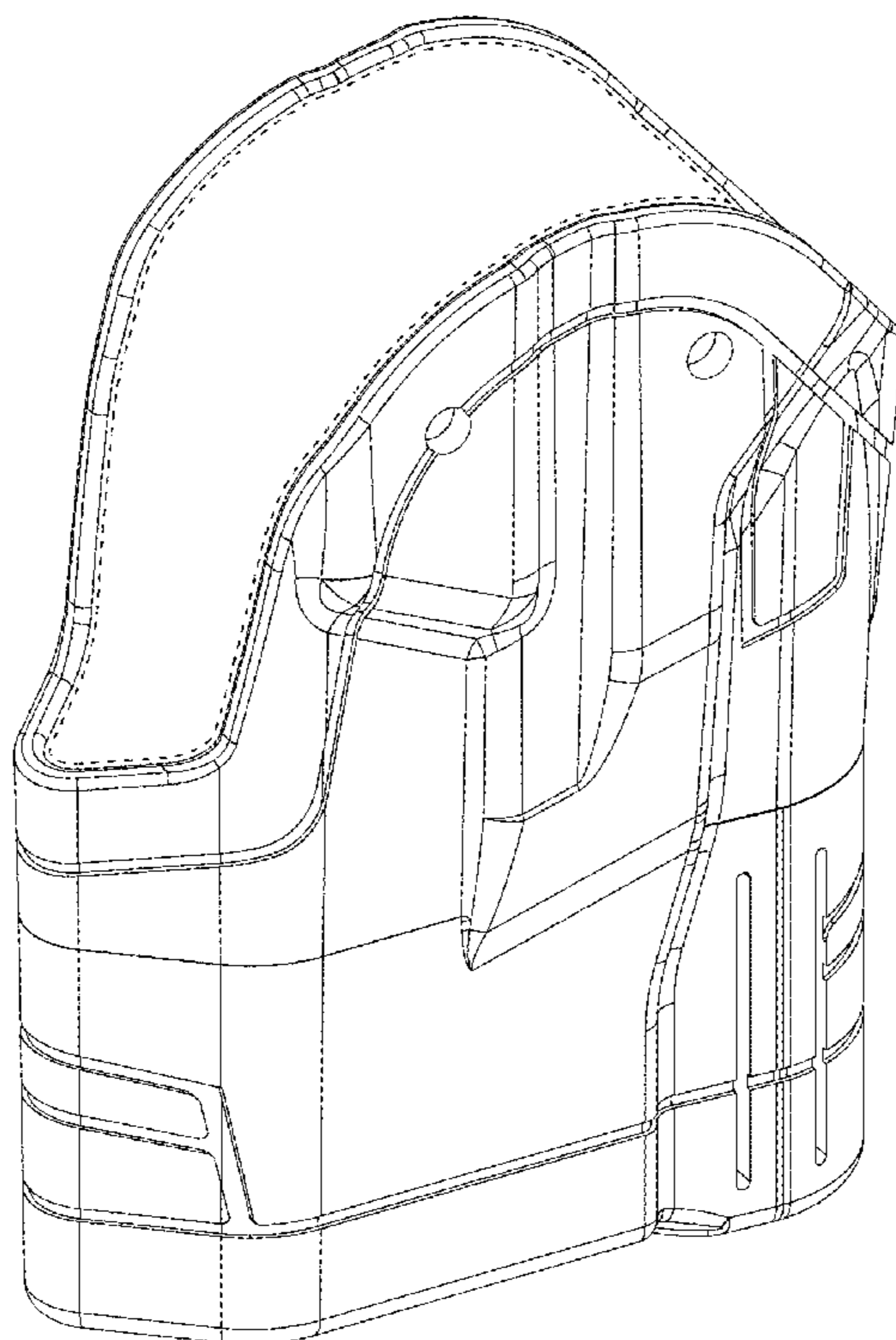
(57) **CLAIM**

The ornamental design for a holster, as shown and described.

**DESCRIPTION**

FIG. 1 is a rear, top and side perspective view of a holster showing my new design;  
FIG. 2 is a front, top and opposite side view thereof;  
FIG. 3 is a rear, top and opposite side view thereof;  
FIG. 4 is a front, top and side view thereof;  
FIG. 5 is a rear view thereof;  
FIG. 6 is a front view thereof;  
FIG. 7 is a side view thereof; and,  
FIG. 8 is an opposite side view thereof.  
Broken lines shown in the drawings reflecting the inside of the holster illustrate structure and/or features which form no part of the claimed design. Top and bottom views are omitted and form no part of the claimed design.

**1 Claim, 8 Drawing Sheets**



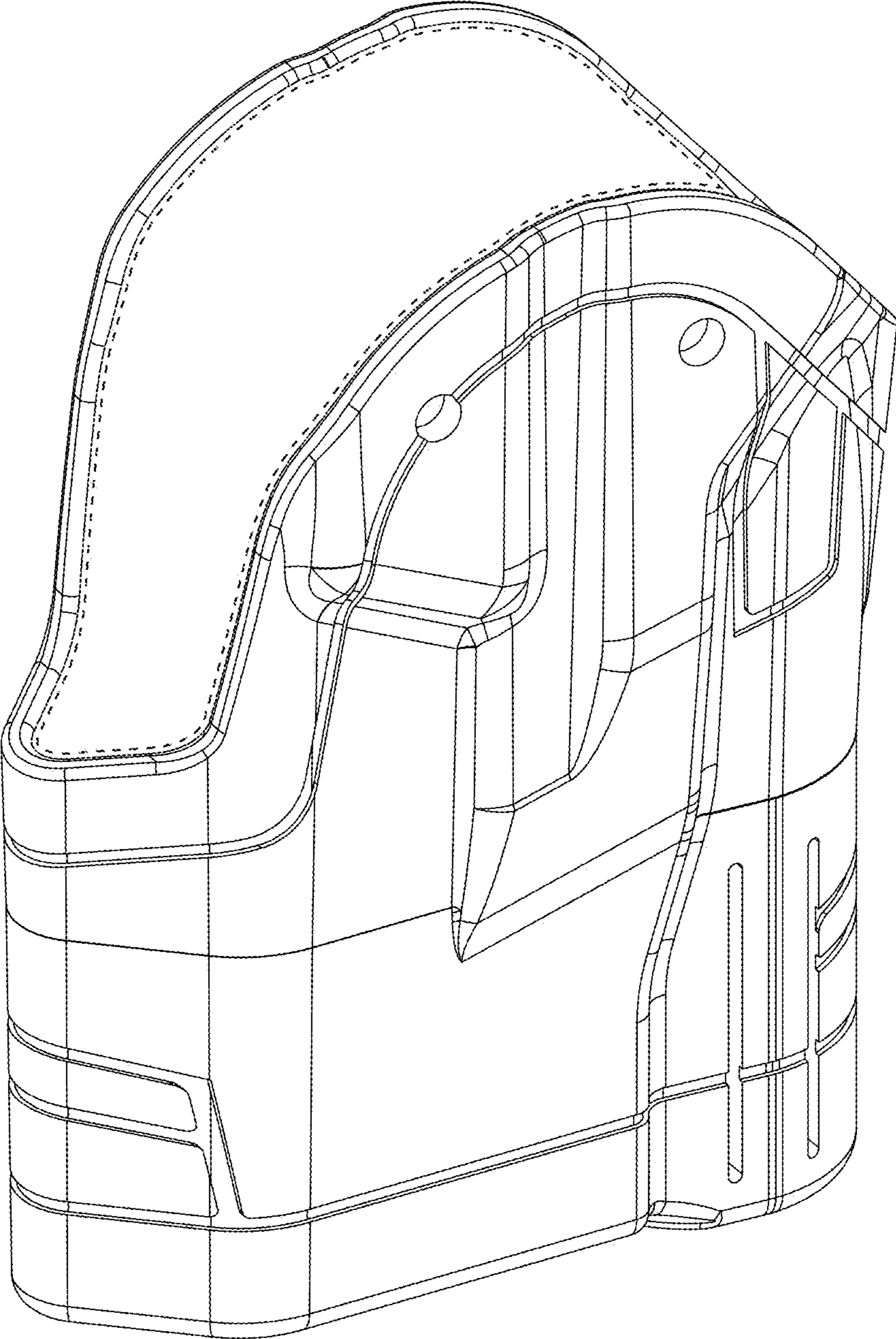


FIG. 1

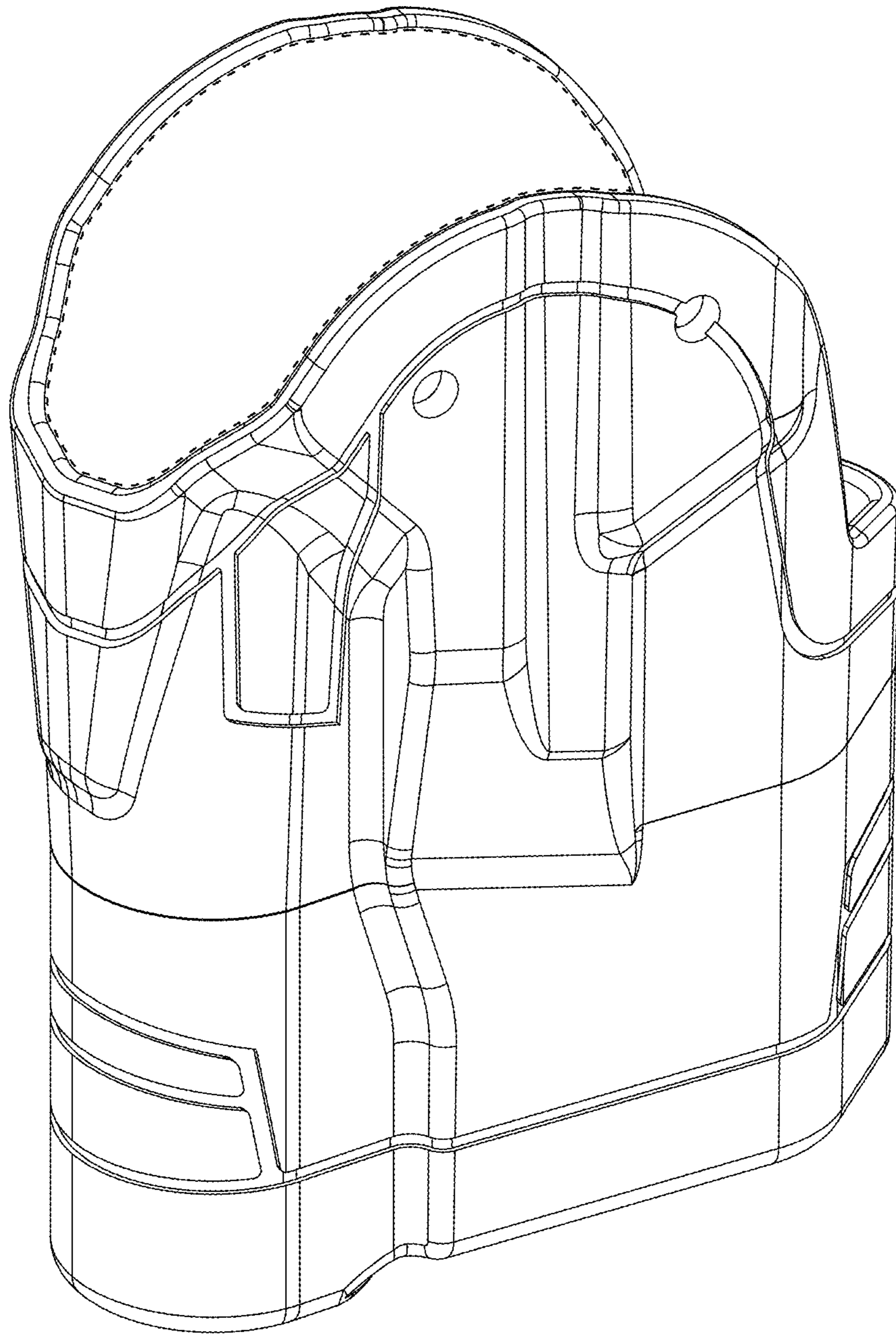


FIG. 2

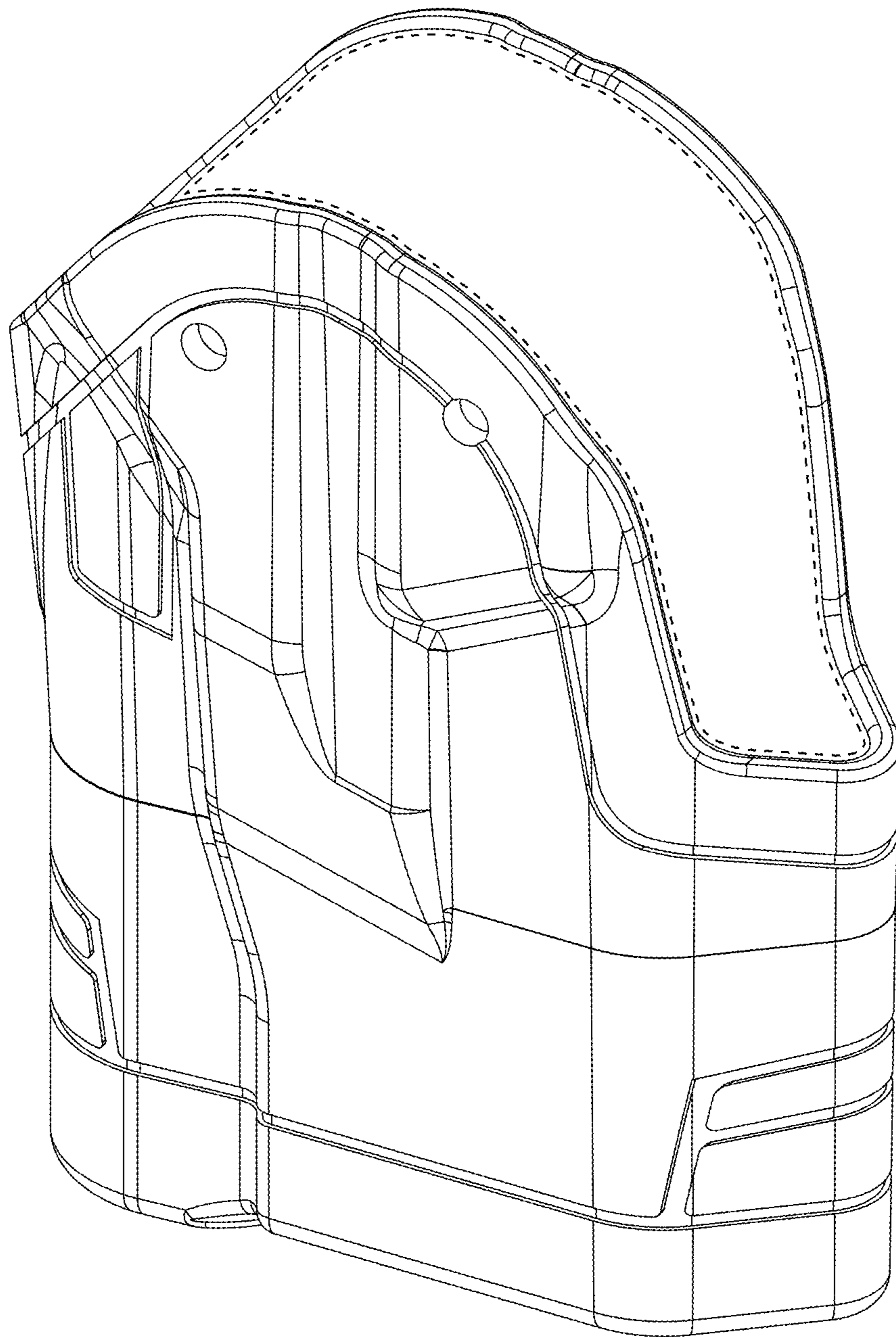


FIG. 3



FIG. 4

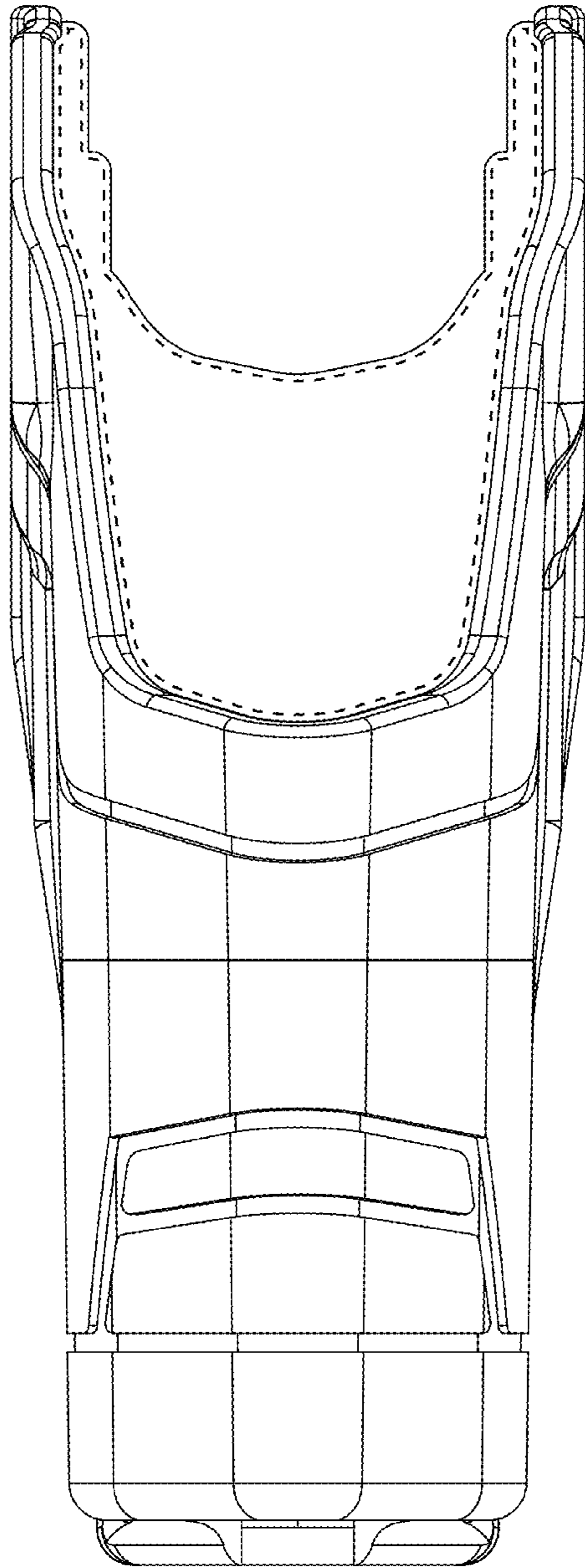


FIG. 5

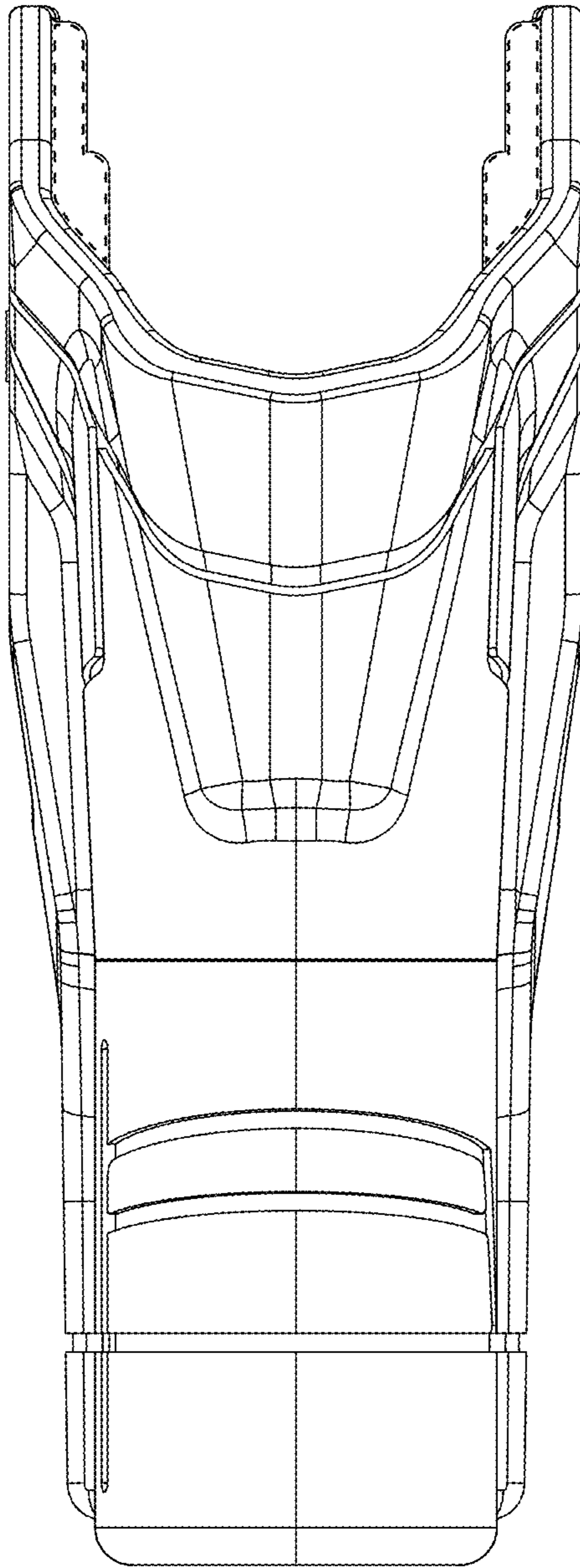


FIG. 6

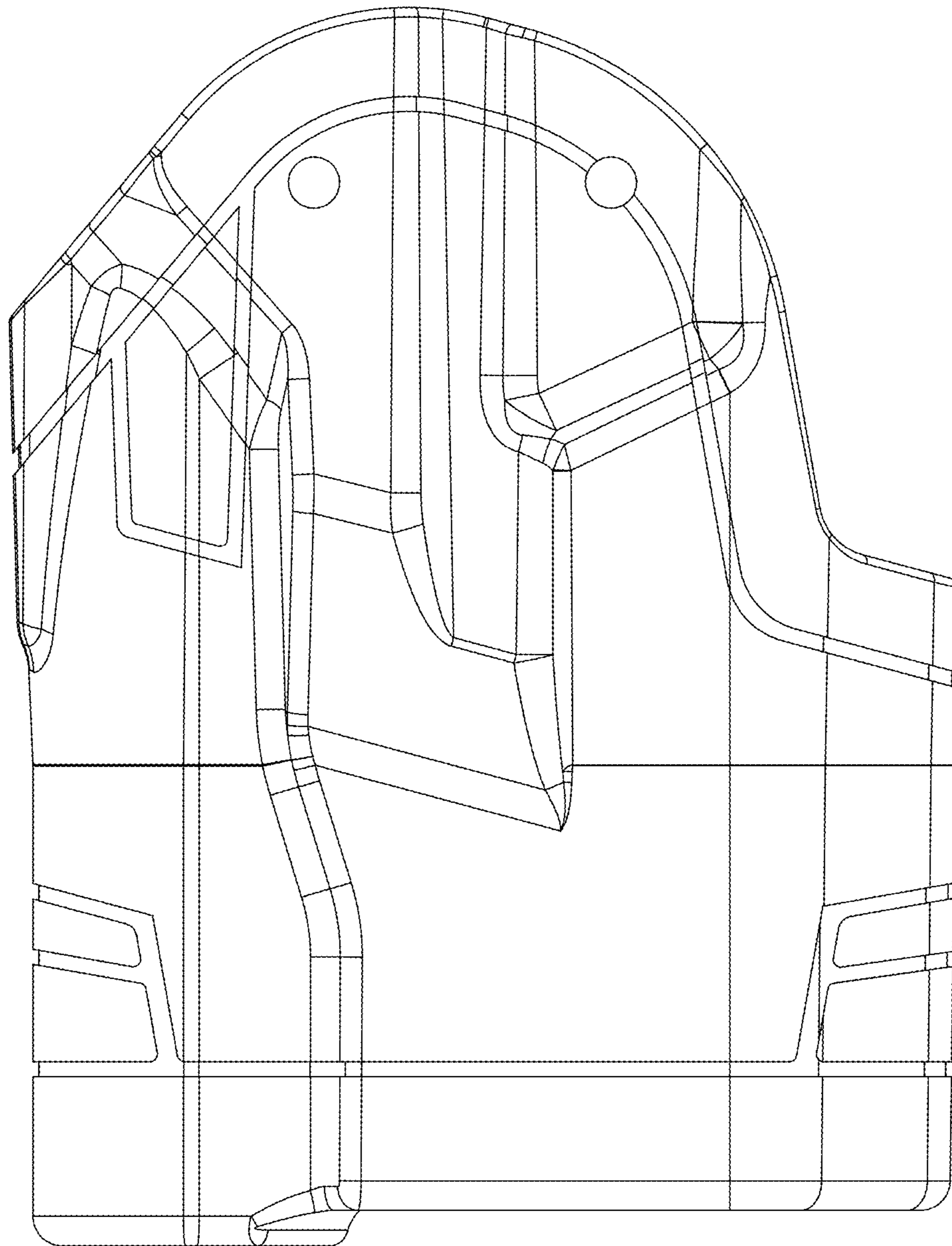


FIG. 7



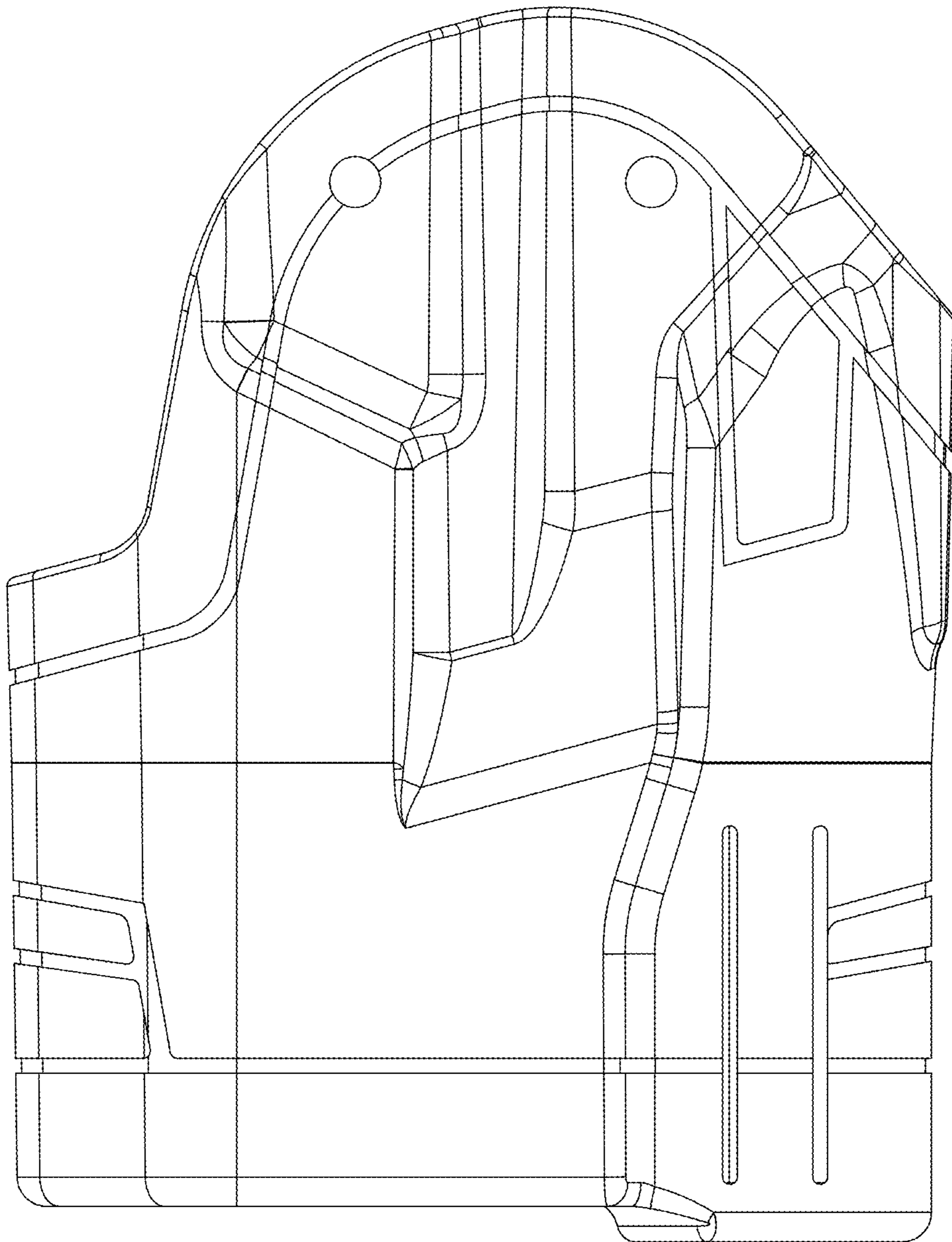


FIG. 8