



US00D913685S

(12) **United States Design Patent**
Clawson et al.

(10) **Patent No.:** **US D913,685 S**
(45) **Date of Patent:** **** Mar. 23, 2021**

(54) **CLIP AND CLAW ASSEMBLY FOR AN INSIDE-THE-WAISTBAND FIREARM HOLSTER**

DESCRIPTION

(71) Applicant: **Tier 1 Manufacturing, Inc.**, Ogden, UT (US)

(72) Inventors: **Jared Clawson**, Eden, UT (US);
Jackson Clawson, Perry, UT (US)

(73) Assignee: **Tier 1 Manufacturing, Inc.**, Ogden, UT (US)

(**) Term: **15 Years**

(21) Appl. No.: **29/652,280**

(22) Filed: **Jul. 8, 2020**

(51) **LOC (13) Cl.** **03-01**

(52) **U.S. Cl.**
USPC **D3/222**

(58) **Field of Classification Search**
USPC D8/394-395; D3/215, 218, 222;
D11/200, 215, 78.1

(Continued)

(56) **References Cited**

U.S. PATENT DOCUMENTS

D675,087 S * 1/2013 Gary D8/395
D675,509 S * 2/2013 Gary D8/395

(Continued)

Primary Examiner — Michael A. Pratt

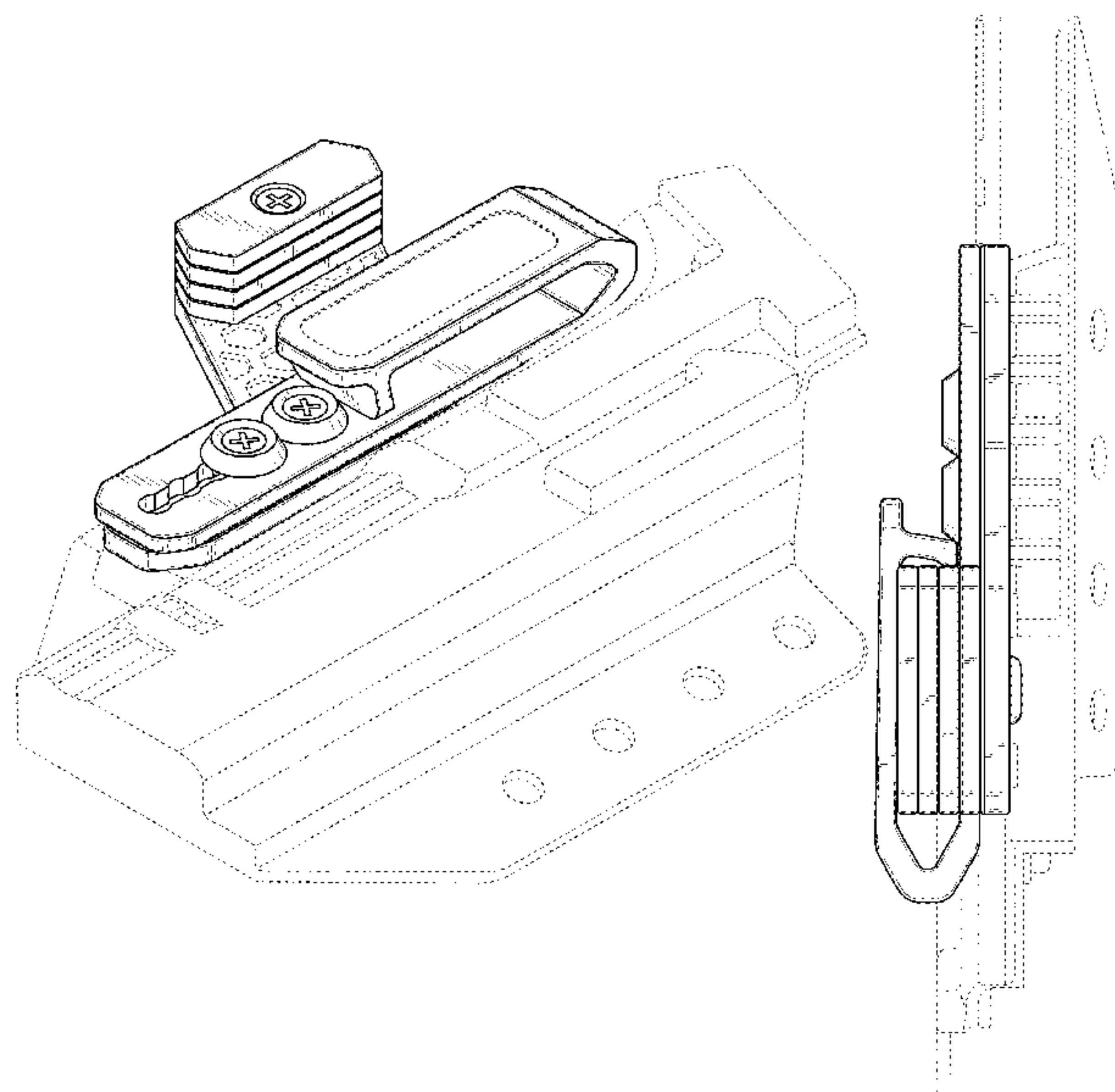
(74) *Attorney, Agent, or Firm* — TraskBritt

(57) **CLAIM**

The ornamental design for a clip and claw assembly for an inside-the-waistband firearm holster, as shown and described.

FIG. 1 is a perspective view of a clip and claw assembly for an inside-the-waistband firearm holster showing an embodiment of our new design;
FIG. 2 is a front view of the clip and claw assembly for an inside-the-waistband firearm holster shown in FIG. 1;
FIG. 3 is a back view of the clip and claw assembly for an inside-the-waistband firearm holster shown in FIG. 1;
FIG. 4 is a right side view of the clip and claw assembly for an inside-the-waistband firearm holster shown in FIG. 1;
FIG. 5 is a left side view of the clip and claw assembly for an inside-the-waistband firearm holster shown in FIG. 1;
FIG. 6 is bottom view of the clip and claw assembly for an inside-the-waistband firearm holster shown in FIG. 1;
FIG. 7 is top view of the clip and claw assembly for an inside-the-waistband firearm holster shown in FIG. 1;
FIG. 8 is a perspective view of the clip and claw assembly for an inside-the-waistband firearm holster of FIG. 1 mounted to a firearm holster;
FIG. 9 is a front view of the clip and claw assembly for an inside-the-waistband firearm holster shown in FIG. 1 mounted to a firearm holster;
FIG. 10 is a back view of the clip and claw assembly for an inside-the-waistband firearm holster shown in FIG. 1 mounted to a firearm holster;
FIG. 11 is a right side view of the clip and claw assembly for an inside-the-waistband firearm holster shown in FIG. 1 mounted to a firearm holster;
FIG. 12 is a left side view of the clip and claw assembly for an inside-the-waistband firearm holster shown in FIG. 1 mounted to a firearm holster;
FIG. 13 is bottom view of the clip and claw assembly for an inside-the-waistband firearm holster shown in FIG. 1 mounted to a firearm holster; and,
FIG. 14 is top view of the clip and claw assembly for an inside-the-waistband firearm holster shown in FIG. 1 mounted to a firearm holster.
The broken lines in FIGS. 1-14 illustrate unclaimed subject matter and do not form any part of the claimed design.

1 Claim, 10 Drawing Sheets



(58) **Field of Classification Search**

CPC F41C 33/048; F41C 33/041

See application file for complete search history.

(56) **References Cited**

U.S. PATENT DOCUMENTS

D897,332 S * 9/2020 Zhang D14/253
2008/0283563 A1* 11/2008 O'Donnell B25H 3/00
224/269
2017/0122701 A1* 5/2017 Lim H04B 1/3888

* cited by examiner

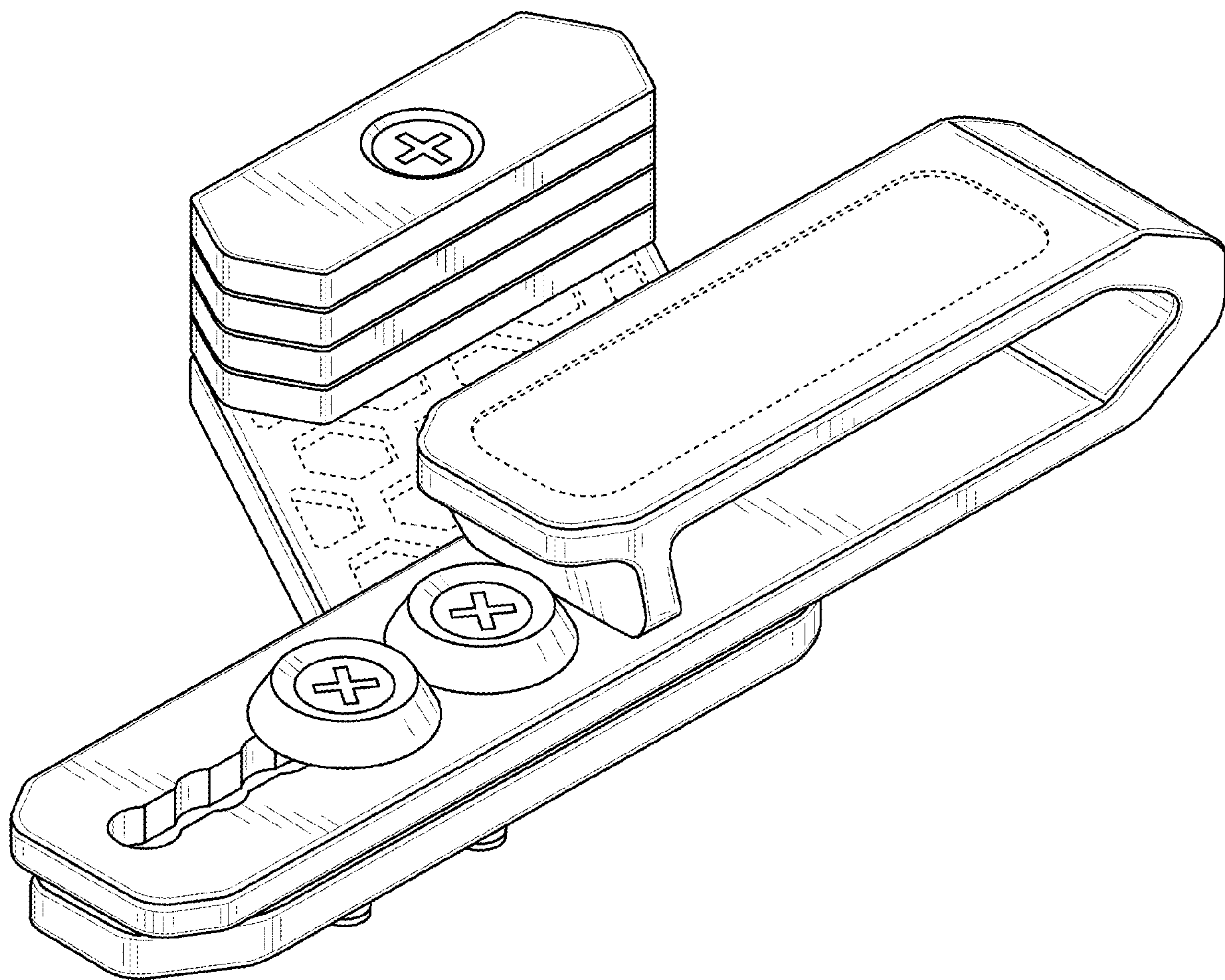


FIG. 1

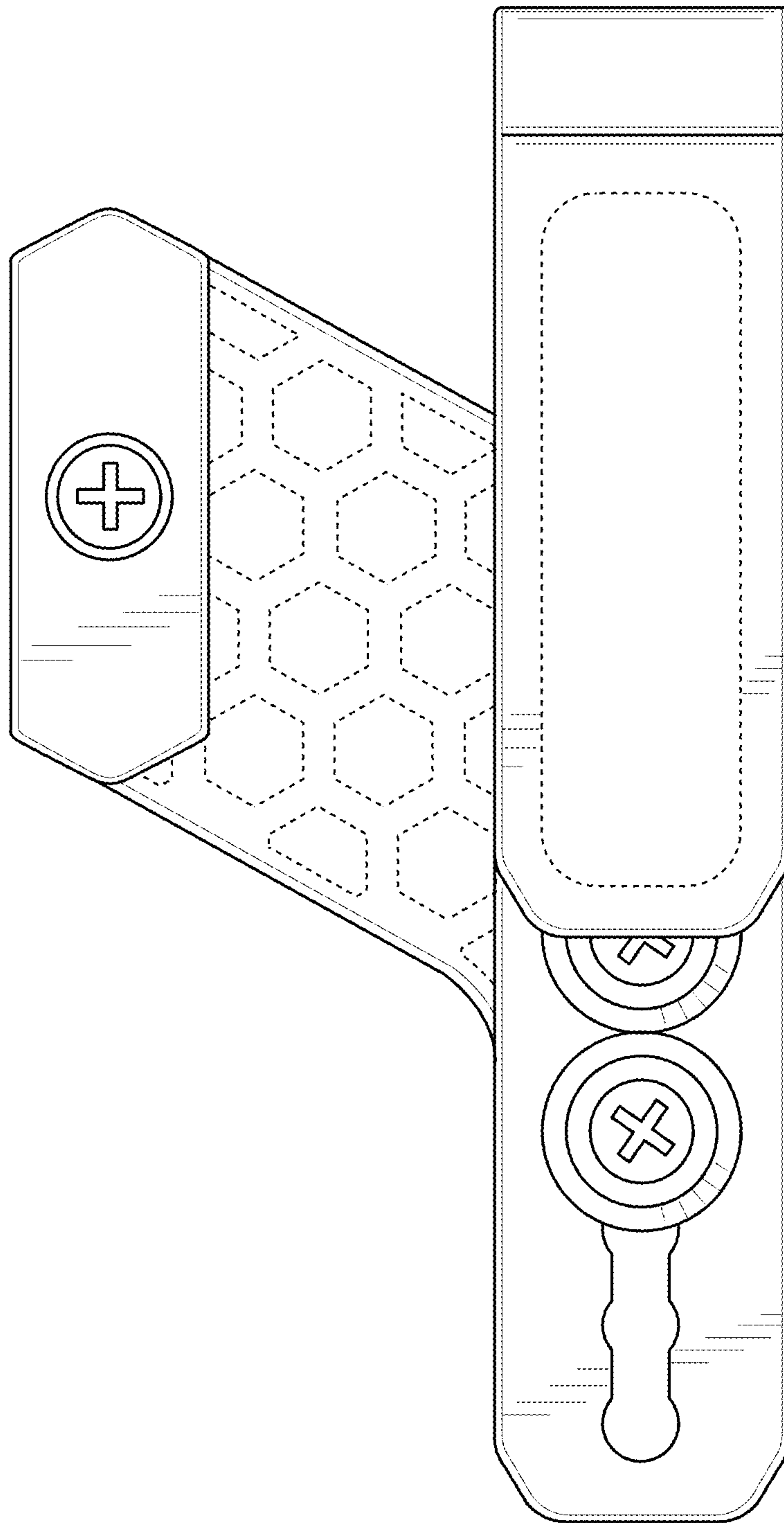


FIG. 2

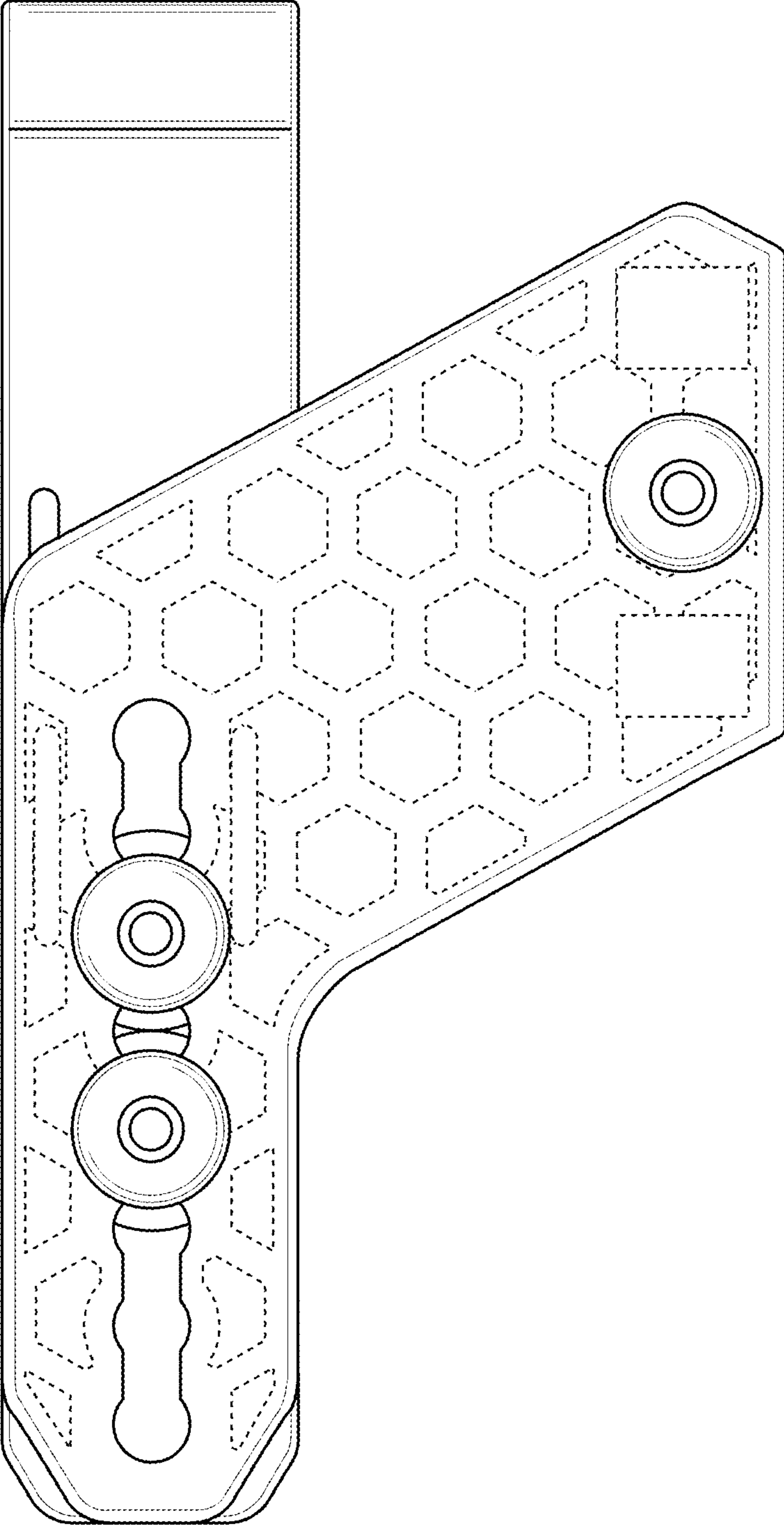


FIG. 3

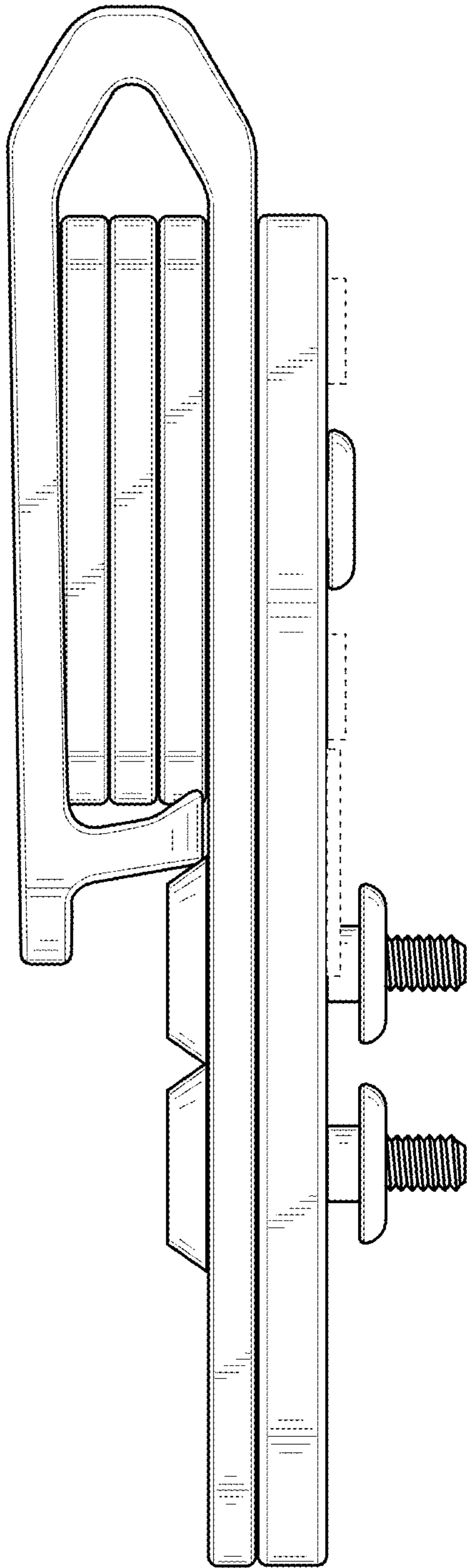


FIG. 4

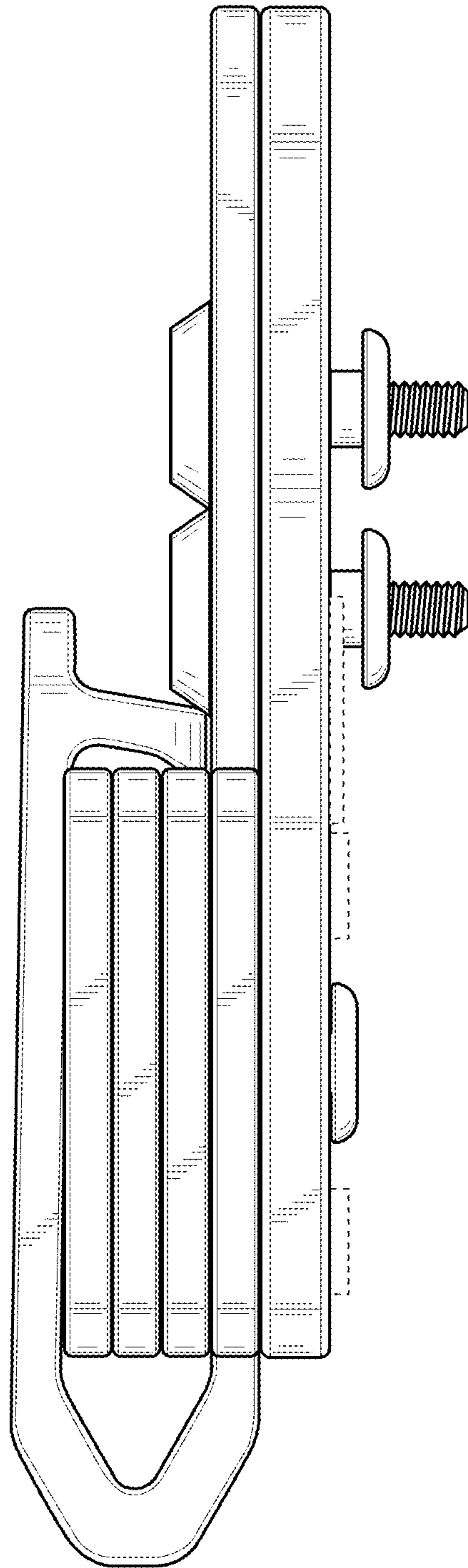


FIG. 5

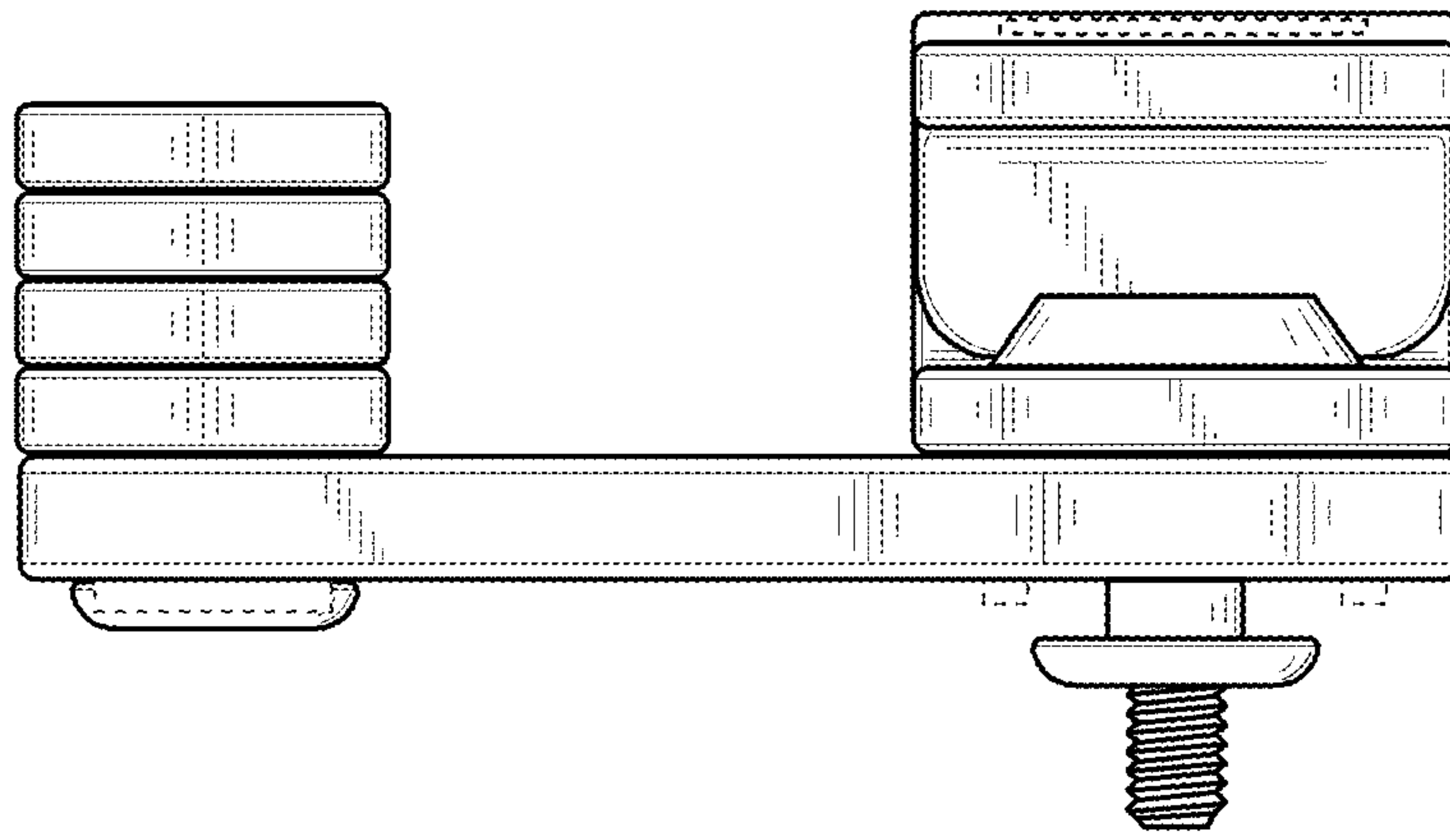


FIG. 6

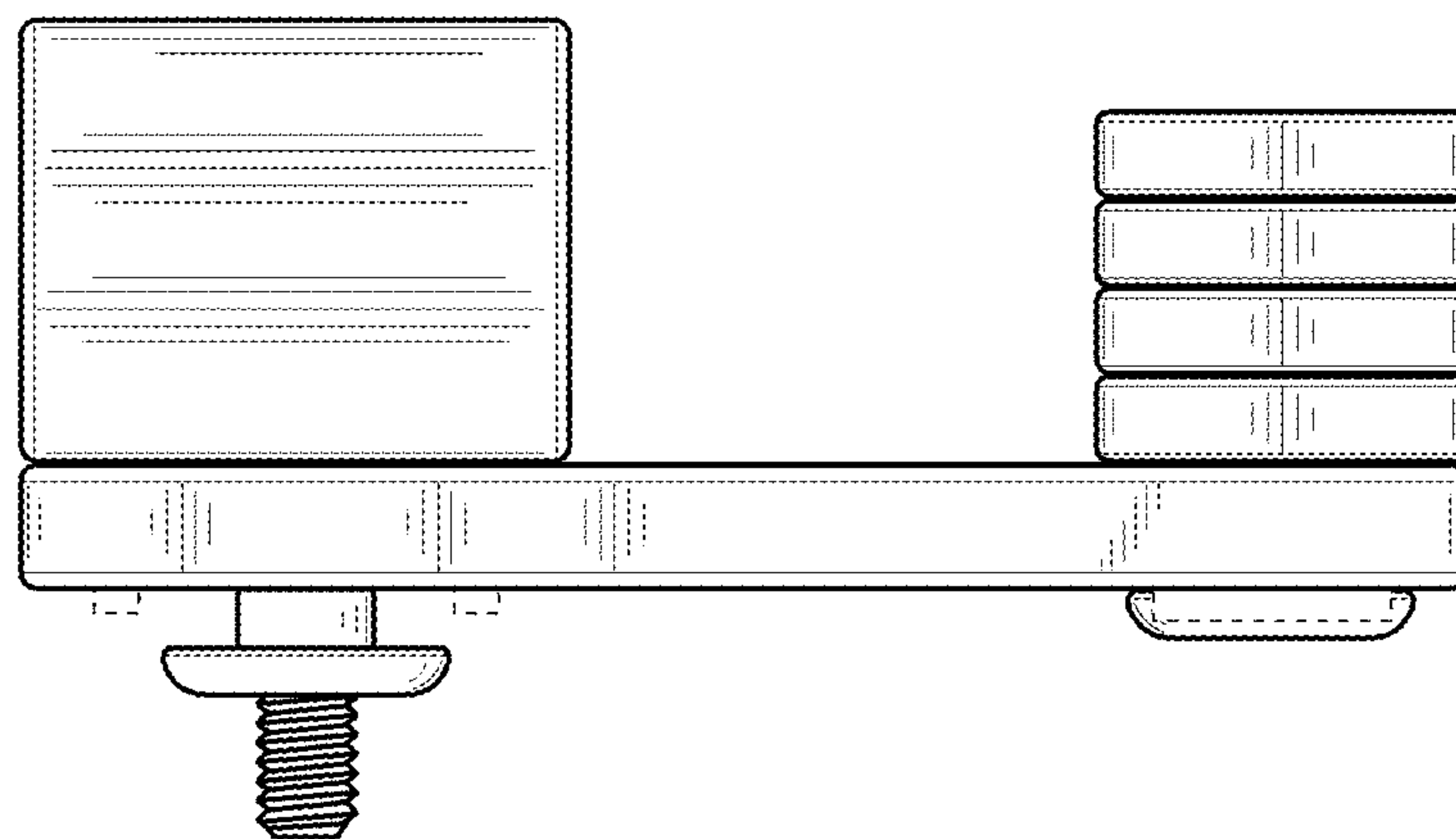


FIG. 7

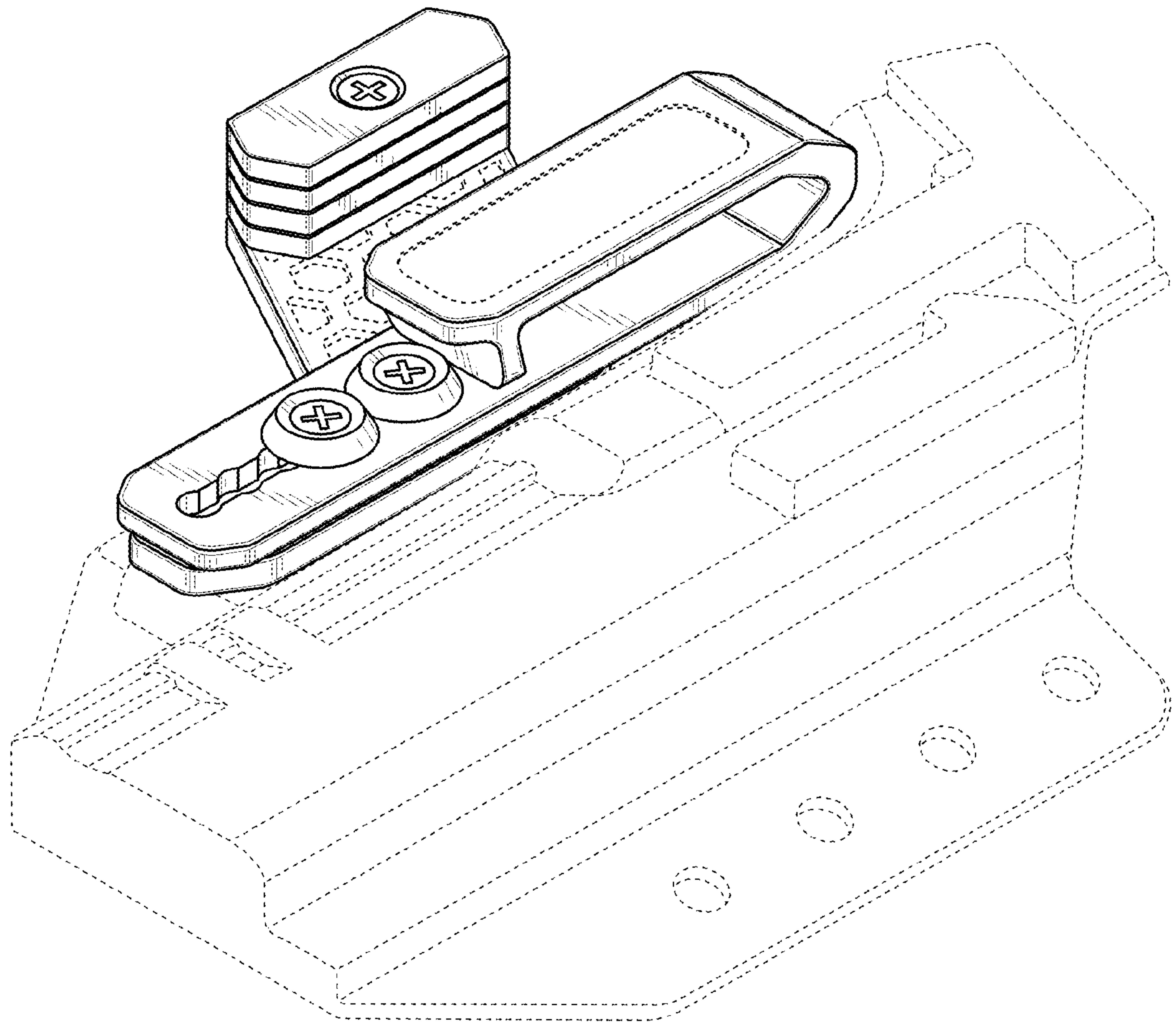


FIG. 8

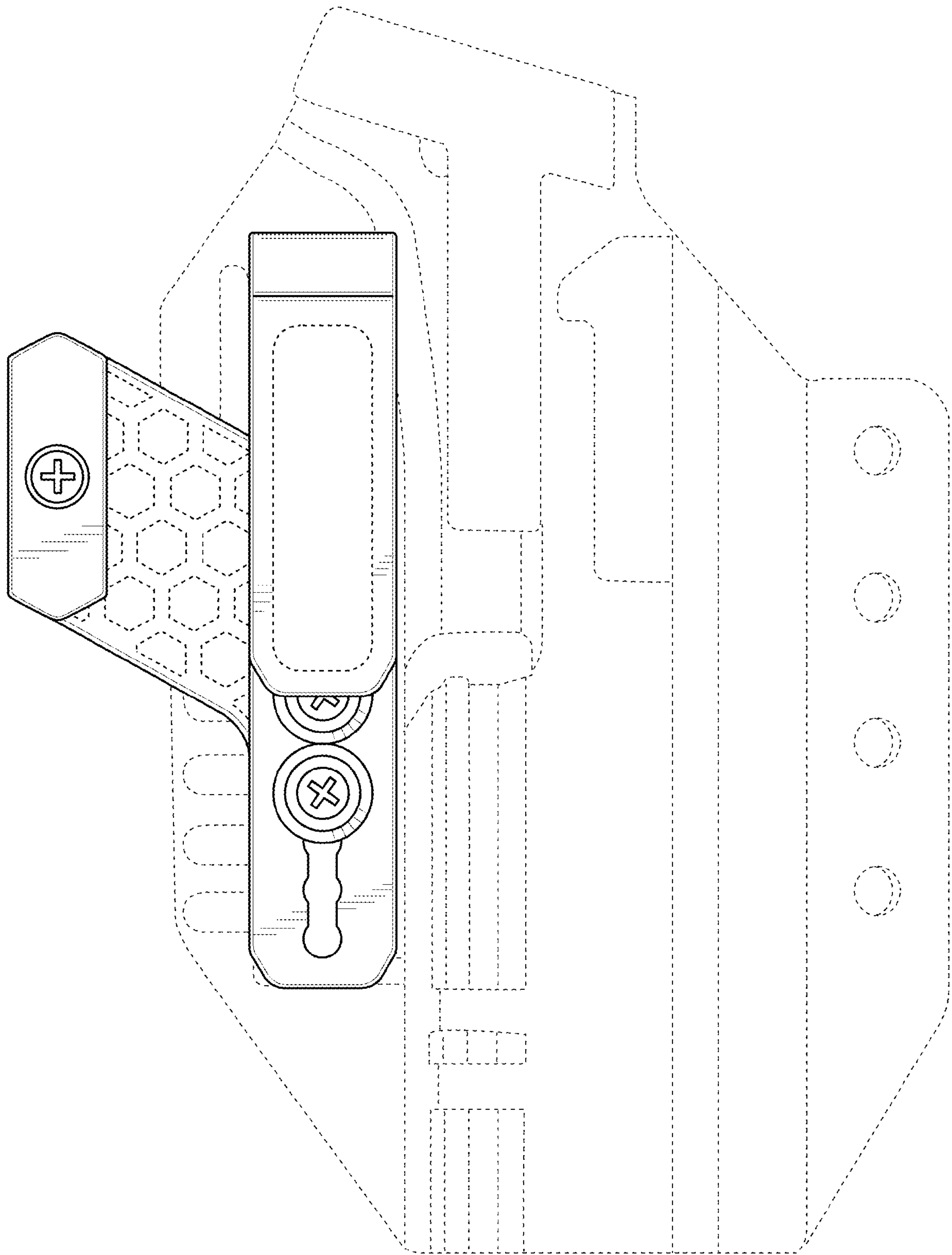


FIG. 9

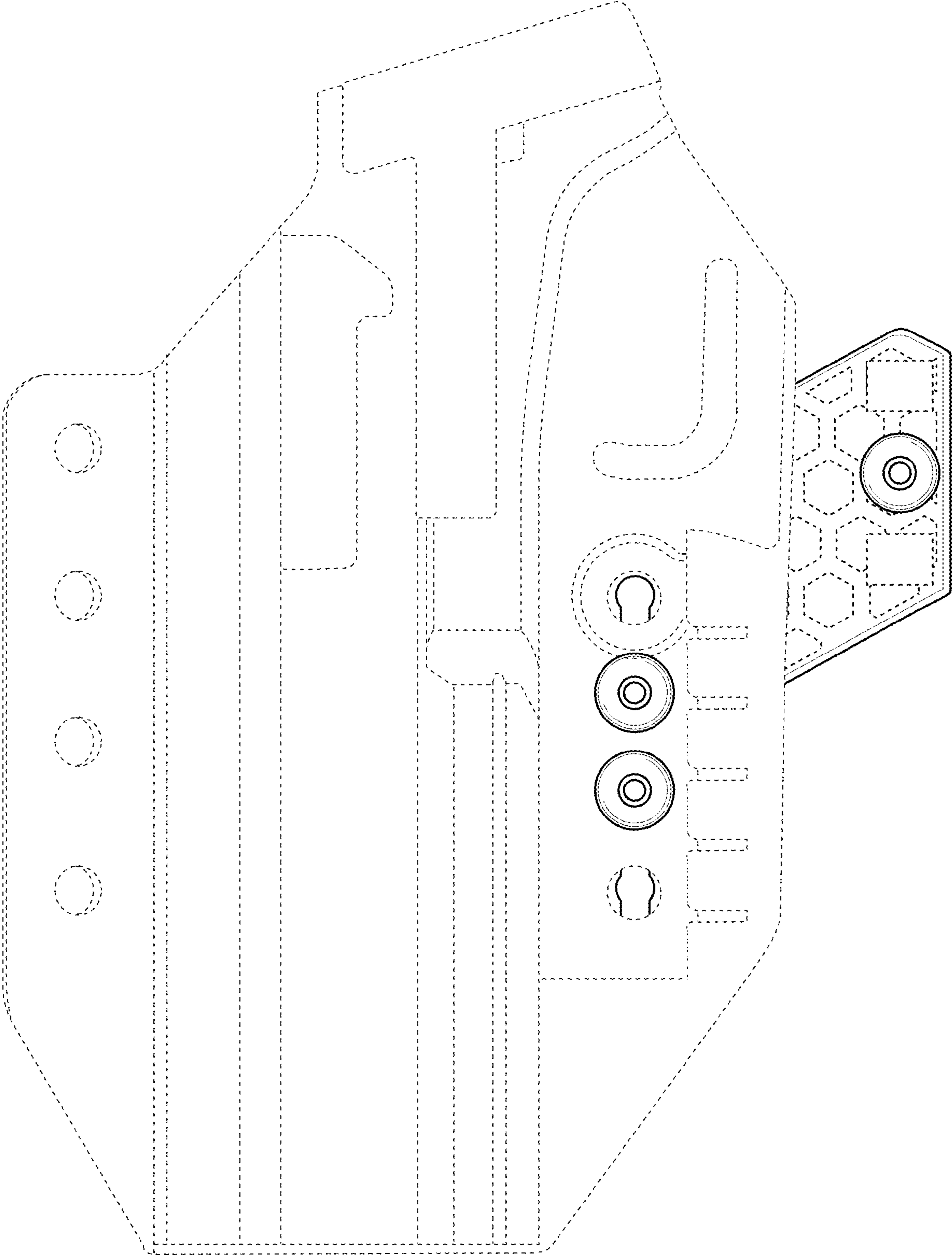


FIG. 10

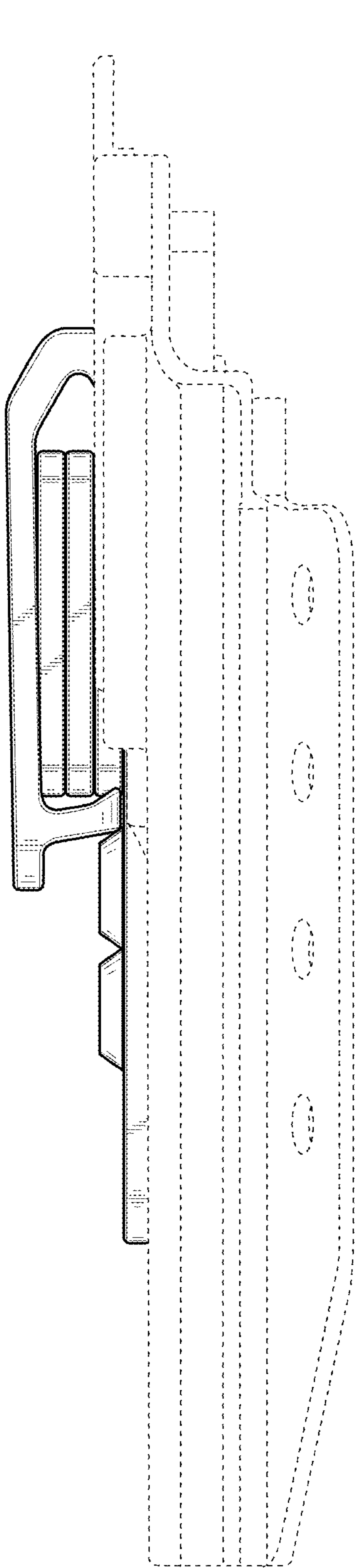


FIG. 11

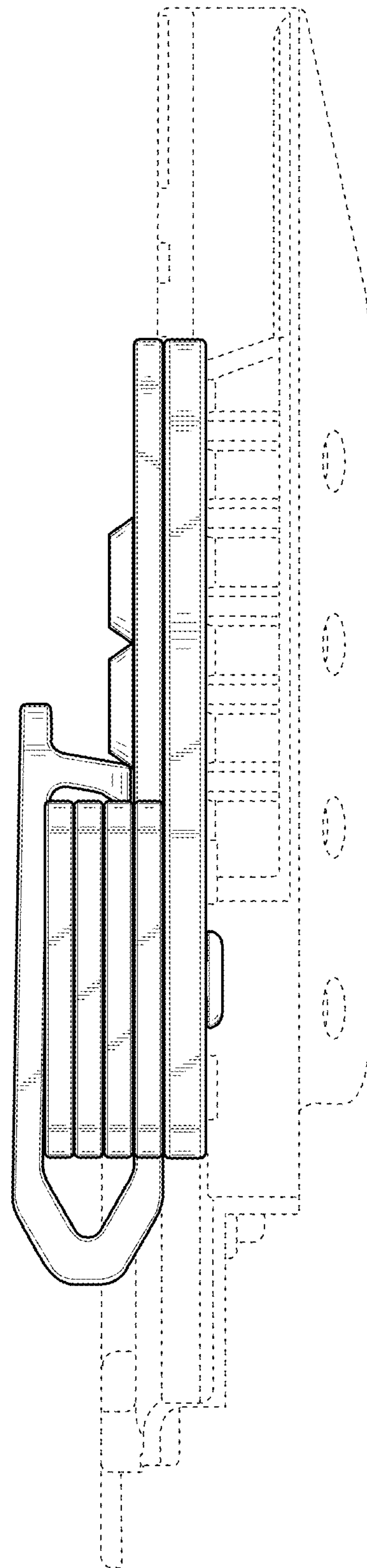


FIG. 12

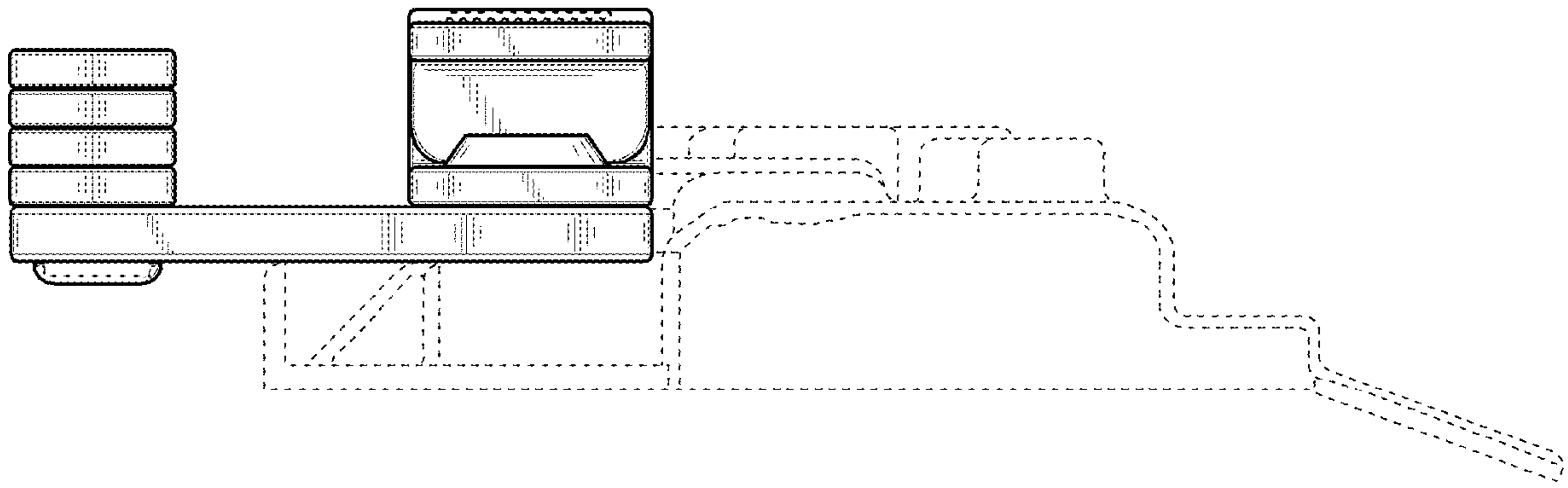


FIG. 13

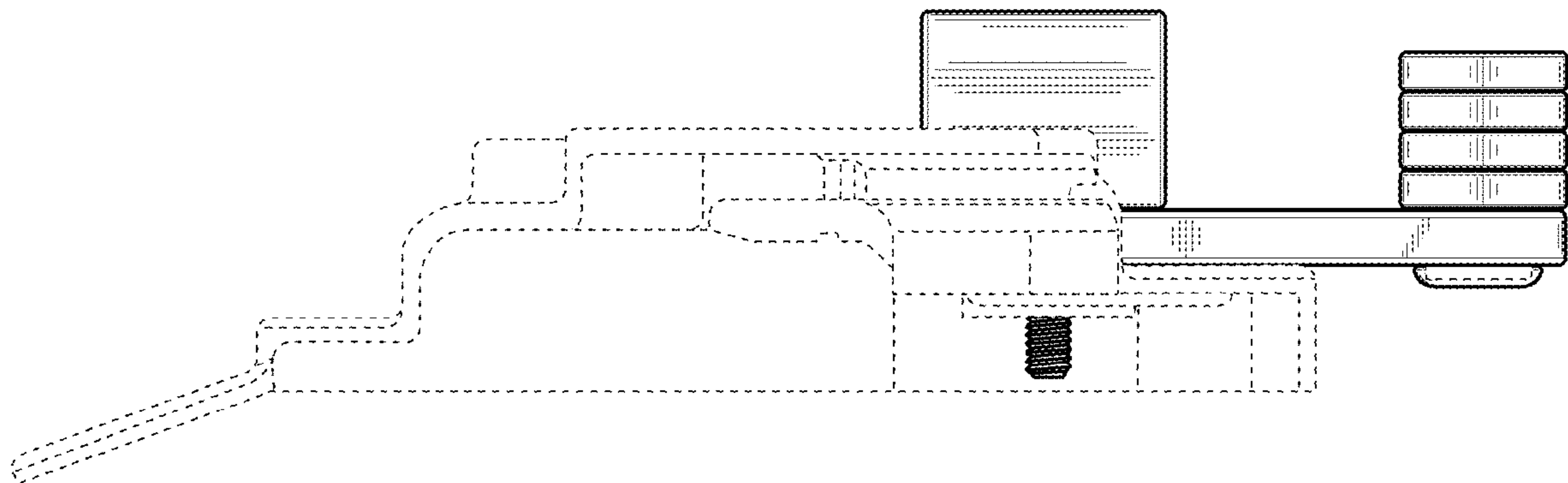


FIG. 14