



US00D913683S

(12) **United States Design Patent** (10) **Patent No.:** **US D913,683 S**
Björkenkvist et al. (45) **Date of Patent:** **** Mar. 23, 2021**

(54) **PART OF A BABY CARRIER**

(71) Applicant: **BabyBjörn AB**, Solna (SE)
(72) Inventors: **Marie Björkenkvist**, Sandared (SE);
Sofia Jacobsson Warfaa, Vällingby (SE); **Josefin Kleremo**, Bredaryd (SE);
Elisabeth Ramel-Währberg, Täby (SE)
(73) Assignee: **BabyBjörn AB**, Solna (SE)
(**) Term: **15 Years**

(21) Appl. No.: **29/712,197**
(22) Filed: **Nov. 6, 2019**

(30) **Foreign Application Priority Data**

May 20, 2019 (EM) 006487609
(51) **LOC (13) Cl.** **03-99**
(52) **U.S. Cl.**
USPC **D3/213**
(58) **Field of Classification Search**
USPC D3/213, 214, 216
CPC A47D 13/02; A47D 13/025; A47D 13/086;
A47D 15/00; A47D 15/006; A45F 3/047;
A45F 2003/045
See application file for complete search history.

(56) **References Cited**

U.S. PATENT DOCUMENTS

D507,102 S * 7/2005 Bergkvist A47D 13/025
D3/214
D623,401 S * 9/2010 Bergkvist D3/213
D623,402 S * 9/2010 Bergkvist D3/213
D642,375 S * 8/2011 Zack D3/214
D649,345 S * 11/2011 Bergkvist D3/214
D655,495 S * 3/2012 Sauer D3/214
D664,351 S * 7/2012 Bergkvist D3/214
8,403,189 B2 * 3/2013 Nyberg A47D 13/025
224/160

(Continued)

OTHER PUBLICATIONS

BabyBJORN baby carrier free, amazon.com, https://www.amazon.com/BABYBJORN-Baby-Carrier-Free-Mesh/dp/B07WJPM93W/ref=pd_ybh_a_5?_encoding=UTF8&psc=1&refRID=0GVB5T44R691120MM6B9 (Year: 2019).*

Primary Examiner — Steven J Czyz
(74) *Attorney, Agent, or Firm* — Studebaker & Brackett PC

(57) **CLAIM**

The ornamental design for a part of a baby carrier, as shown and described.

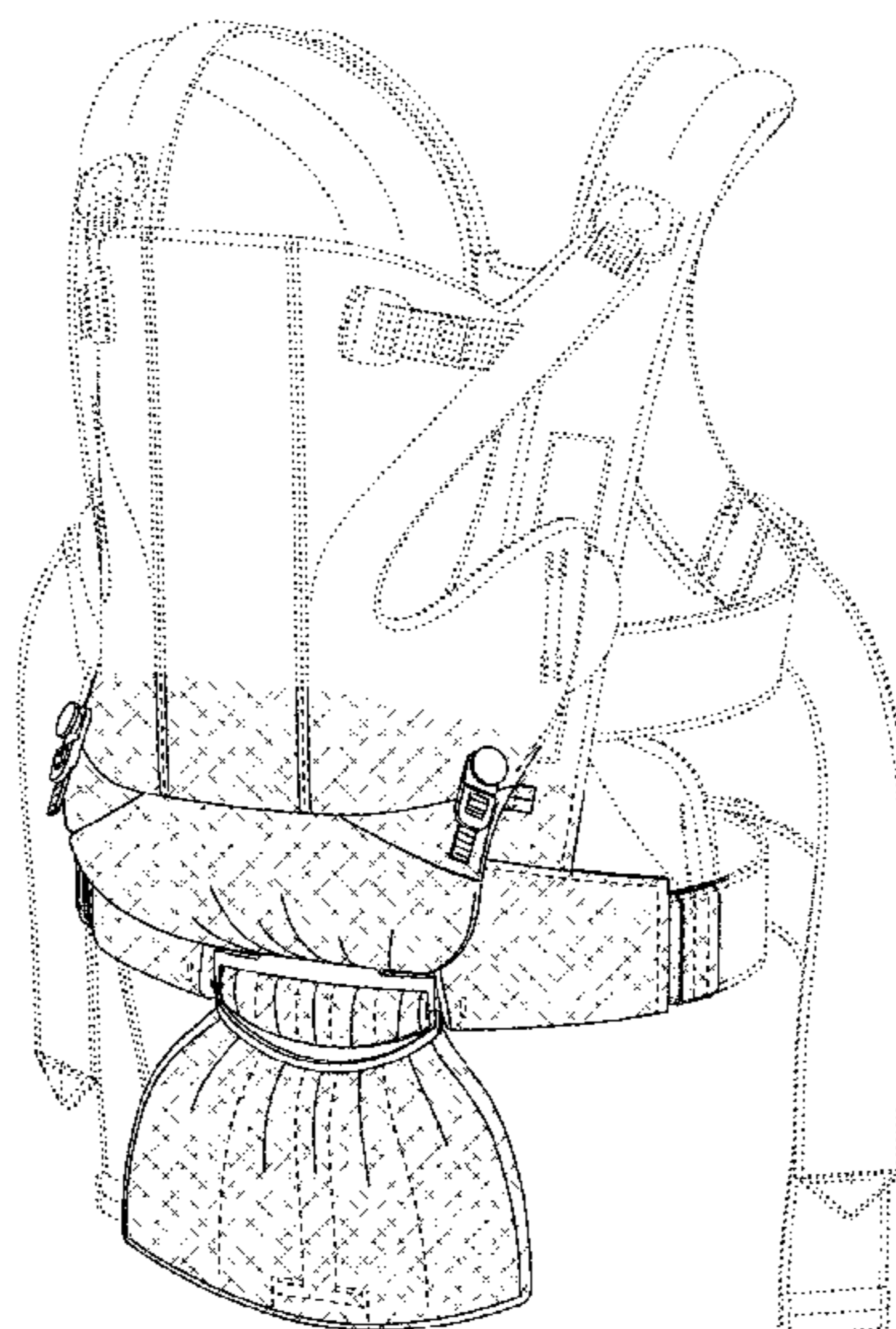
DESCRIPTION

FIG. 1 is a front perspective view of a part of a baby carrier showing our new design, FIG. 2 is a rear perspective view thereof, FIG. 3 is a front thereof, FIG. 4 is a rear view thereof, FIG. 5 is a left side view thereof, the opposite side being a mirror image, FIG. 6 is a top view thereof, FIG. 7 is a bottom view thereof, FIG. 8 is a front perspective view of a second embodiment of the part of a baby carrier, FIG. 9 is a rear perspective view thereof, FIG. 10 is a front view thereof, FIG. 11 is a rear view thereof, FIG. 12 is a left side view thereof, the opposite side being a mirror image, FIG. 13 is a top view thereof, and, FIG. 14 is a bottom view thereof.

In the drawings, the dotted broken lines depict portions of the article that form no part of the claimed design; the dashed broken lines represent claimed stitching on the article.

Different textures of the first and second embodiments of the article are represented by different surface ornamentation.

1 Claim, 14 Drawing Sheets



(56)

References Cited

U.S. PATENT DOCUMENTS

8,490,844 B2 *	7/2013	Favorito	A47D 13/025	D876,824 S *	3/2020	Young	D3/214
			224/160	D876,825 S *	3/2020	Napier	D3/214
D692,227 S *	10/2013	Andren	D3/213	10,694,867 B2 *	6/2020	Troutman	A47D 13/025
D693,569 S *	11/2013	Lehan	D3/214	10,702,074 B2 *	7/2020	Najafi	A47D 15/006
8,579,168 B2 *	11/2013	Zack	A47D 13/025	10,750,879 B2 *	8/2020	Schachtner	A47D 13/025
			224/160	10,820,721 B2 *	11/2020	Lindeman	A47D 13/025
8,701,949 B1 *	4/2014	Lehan	A47D 13/025	2005/0184114 A1 *	8/2005	Hoff	A47D 13/025
			224/160				224/160
D712,134 S *	9/2014	Gunter	D3/214	2005/0218168 A1 *	10/2005	Chua	A47D 13/025
D714,045 S *	9/2014	Stave	D3/213				224/160
D733,419 S *	7/2015	Wikner	D3/214	2009/0026235 A1 *	1/2009	Gray	A47D 15/006
D745,266 S *	12/2015	Jabbour, Jr.	D3/216				224/160
D748,907 S *	2/2016	Figler	D3/213	2011/0240693 A1 *	10/2011	Parness	A47D 13/025
D753,385 S *	4/2016	Stave	D3/213				224/160
9,788,664 B2 *	10/2017	Andren	A47D 13/025	2012/0061429 A1 *	3/2012	Sauer	A47D 13/025
D803,549 S *	11/2017	Warfaa	D3/214				224/160
D807,025 S *	1/2018	Elmberg	D3/214	2012/0187161 A1 *	7/2012	Bergkvist	A47D 13/025
9,949,575 B2 *	4/2018	Pond	A47D 13/025				224/160
10,264,895 B2 *	4/2019	Lindeman	A47D 13/025	2012/0187162 A1 *	7/2012	Bergkvist	A47D 13/025
10,271,663 B2 *	4/2019	Salazar	A47D 13/025				224/160
D849,397 S *	5/2019	Tsai	D3/214	2014/0263491 A1 *	9/2014	Telford	A47D 13/025
D851,916 S *	6/2019	Andersson	D3/214				224/160
D856,661 S *	8/2019	Lee	D3/214	2015/0196133 A1 *	7/2015	Rosen	A47D 13/025
10,433,656 B2 *	10/2019	Lundh	A47D 13/025				224/160
10,441,091 B2 *	10/2019	Salazar	A47D 13/025	2016/0227940 A1 *	8/2016	Wikner	A47D 13/025
D866,955 S *	11/2019	Napier	D3/214	2017/0119173 A1 *	5/2017	Telford	A47D 13/025
10,555,620 B2 *	2/2020	Gibbons	A47D 13/025	2017/0196374 A1 *	7/2017	Chen	A47D 13/025
				2018/0116426 A1 *	5/2018	Telford	A47D 13/025

* cited by examiner

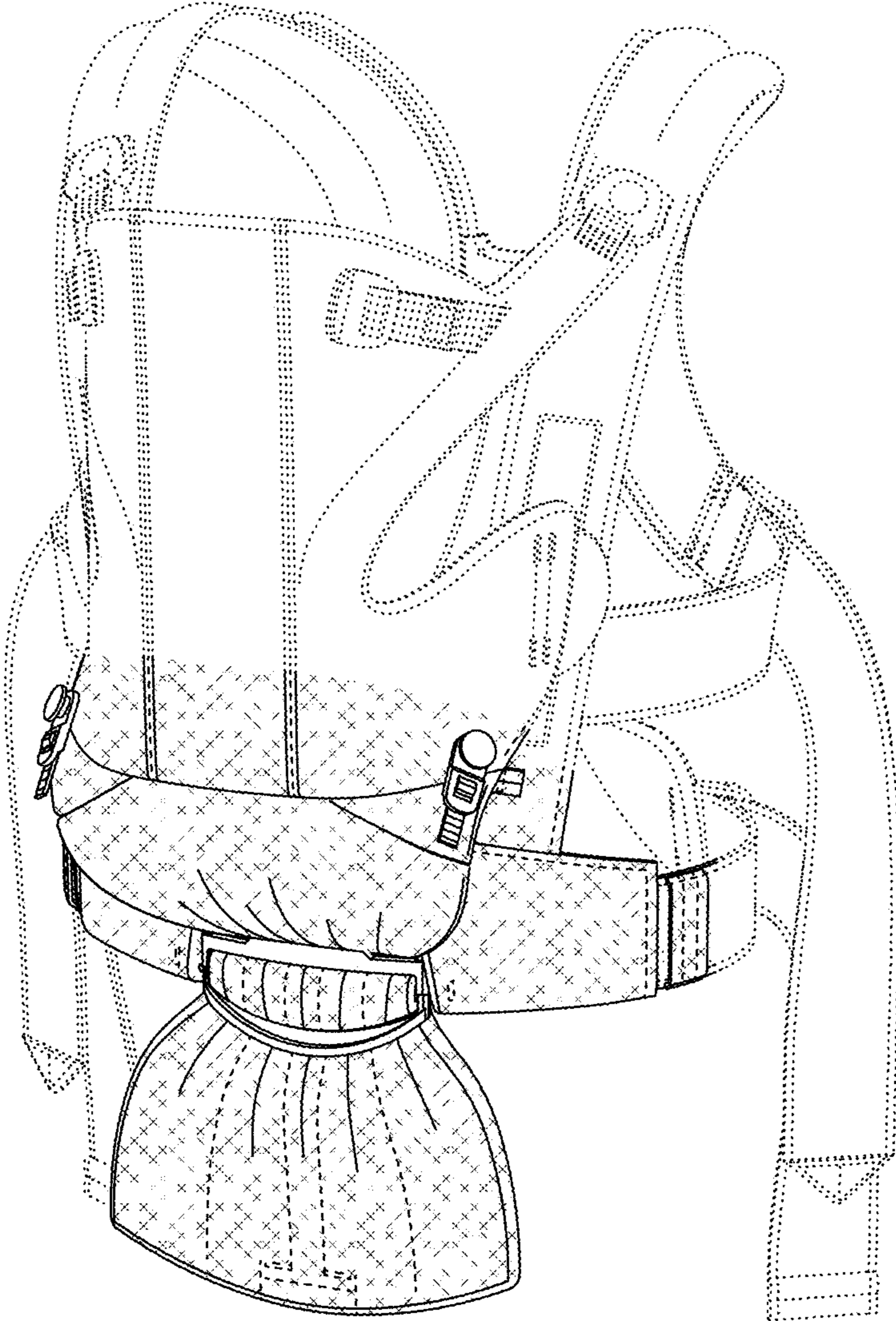


FIG. 1

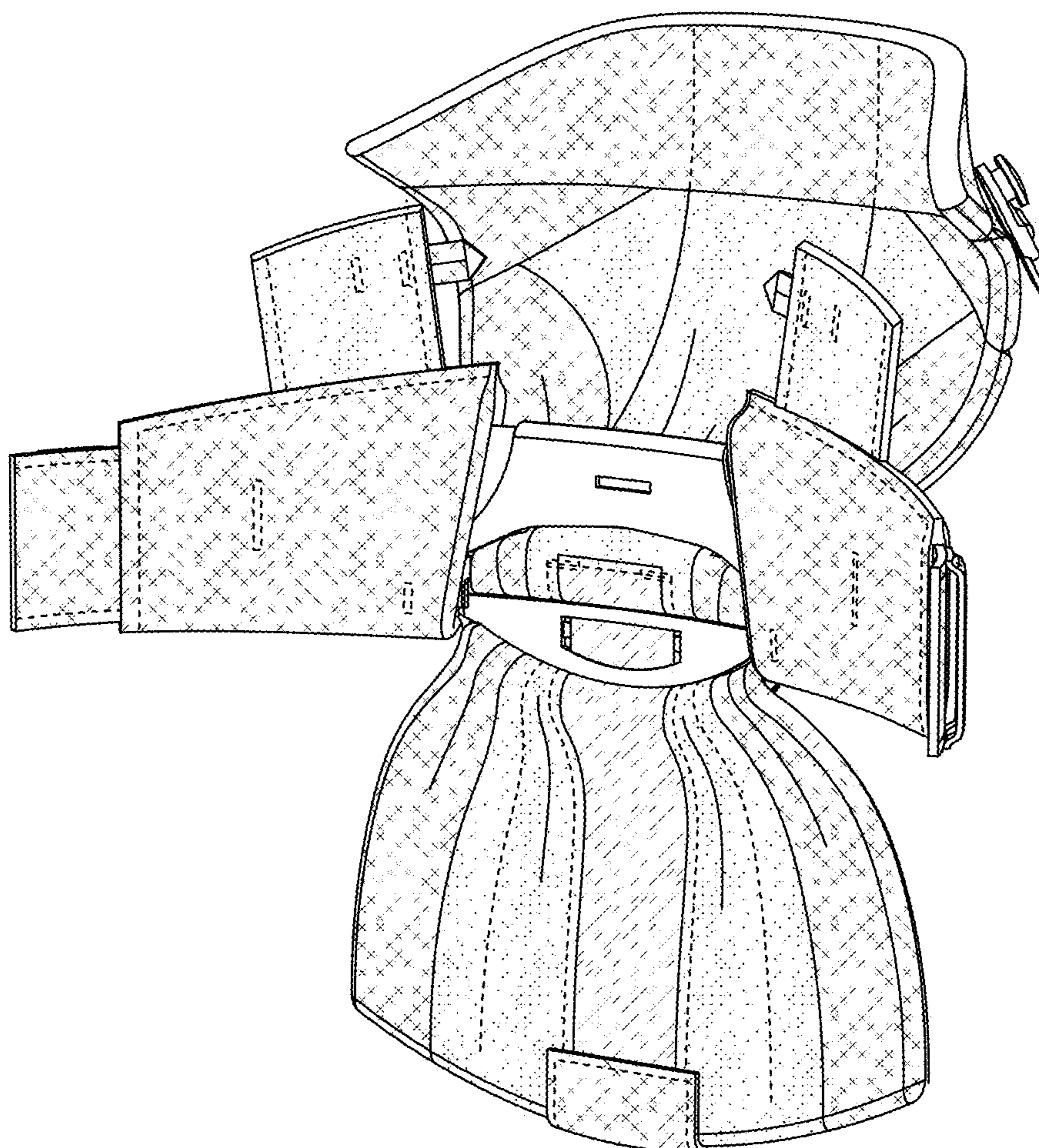


FIG. 2

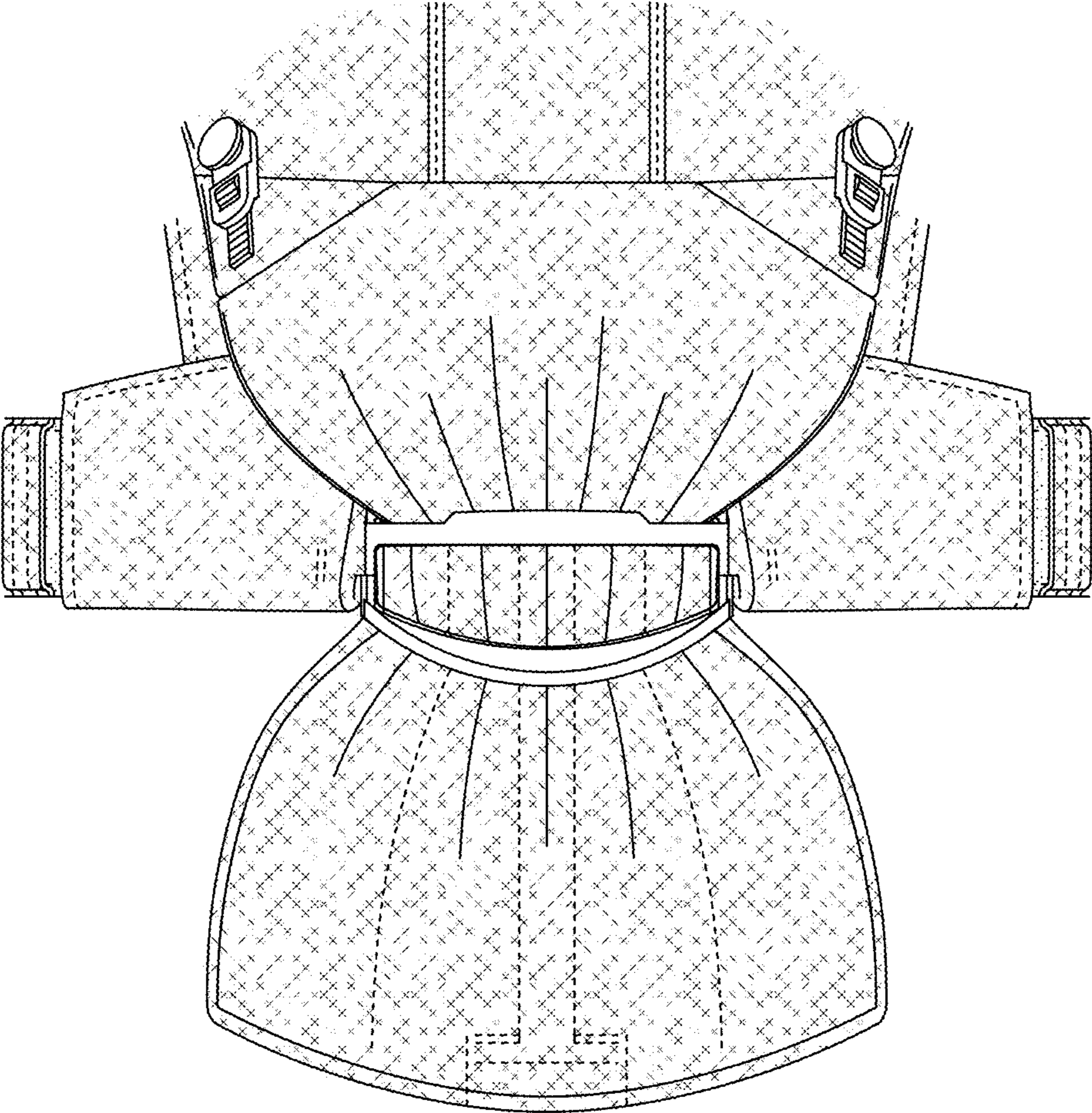


FIG. 3

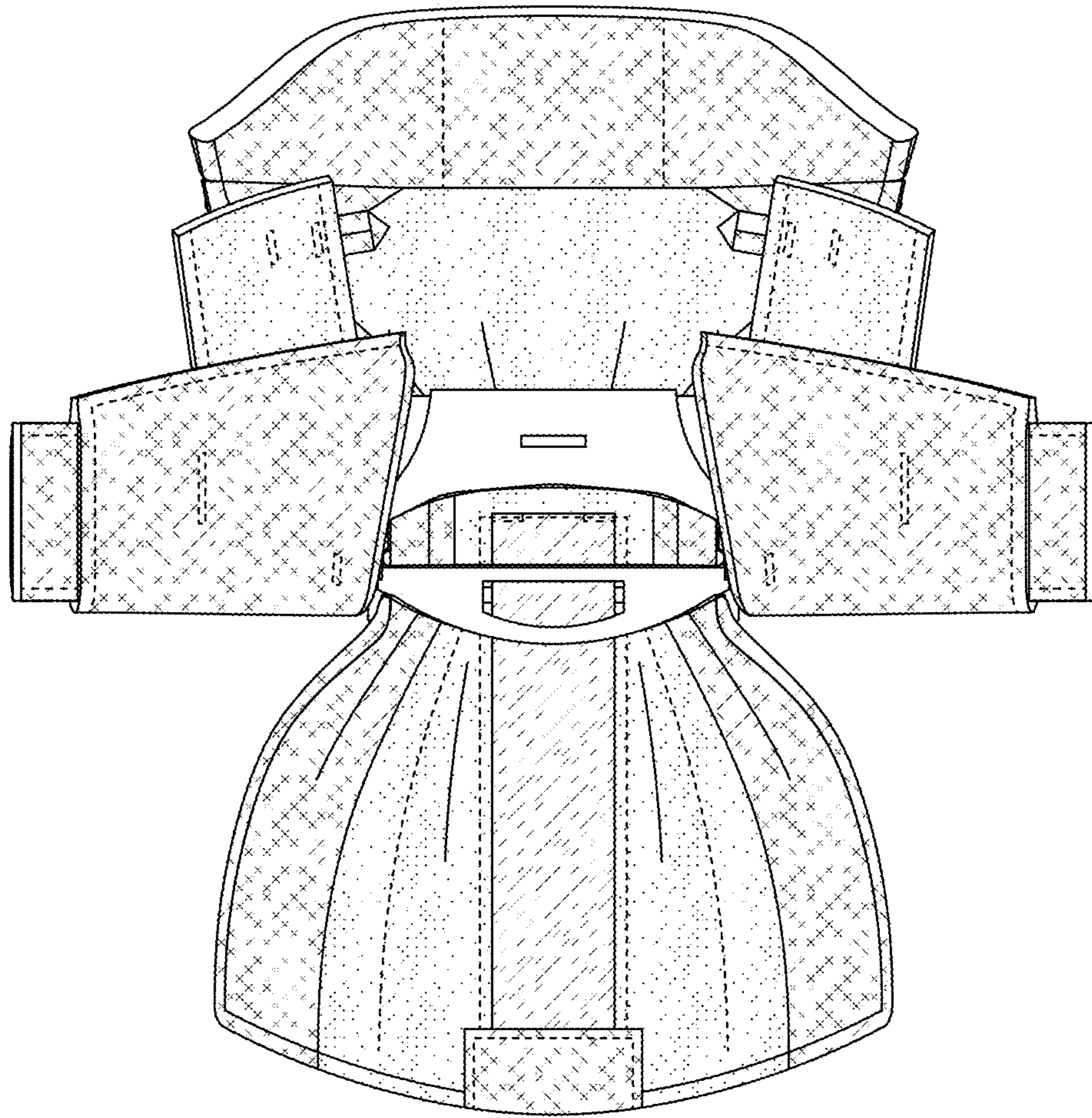


FIG. 4

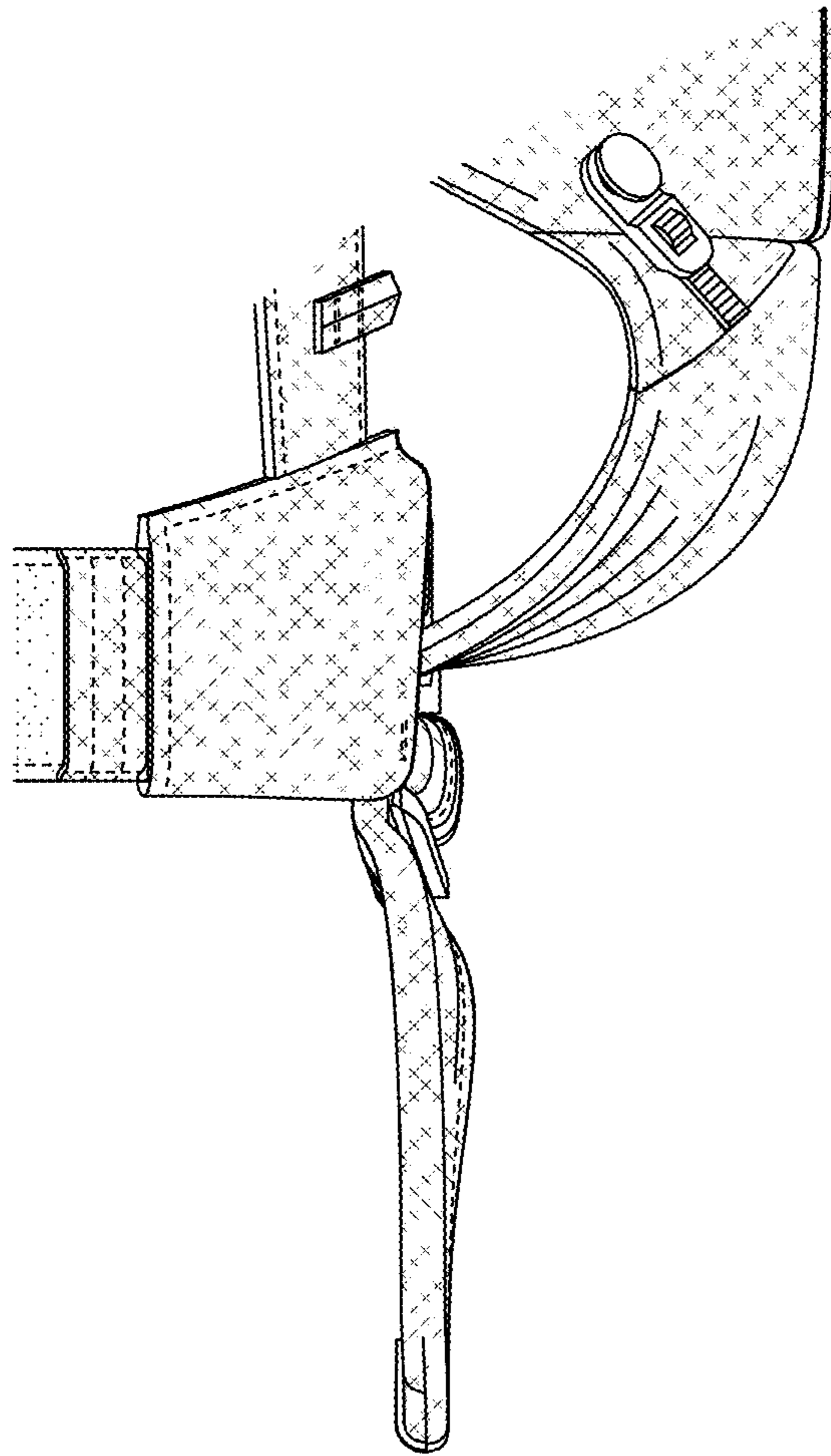


FIG. 5

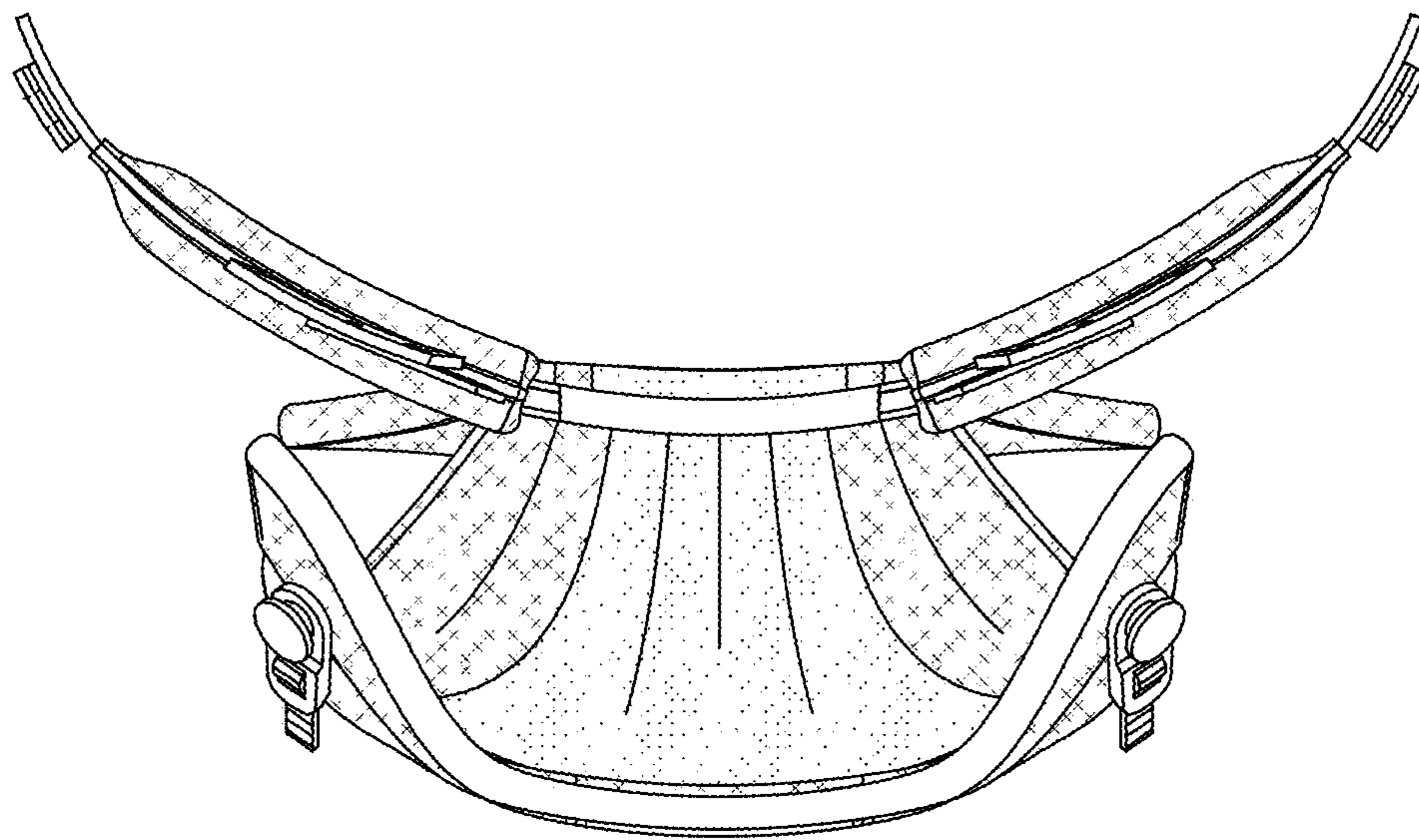


FIG. 6

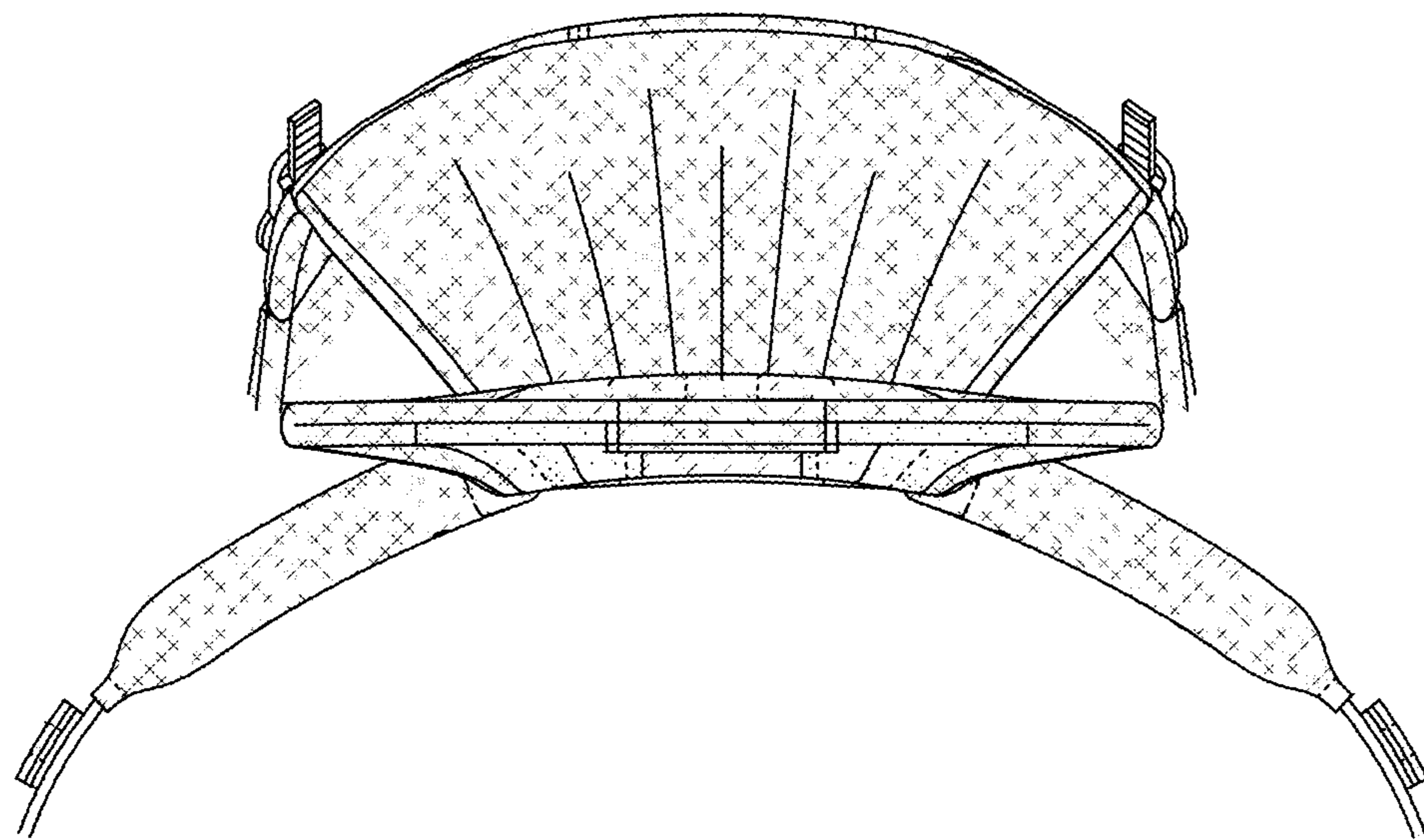


FIG. 7

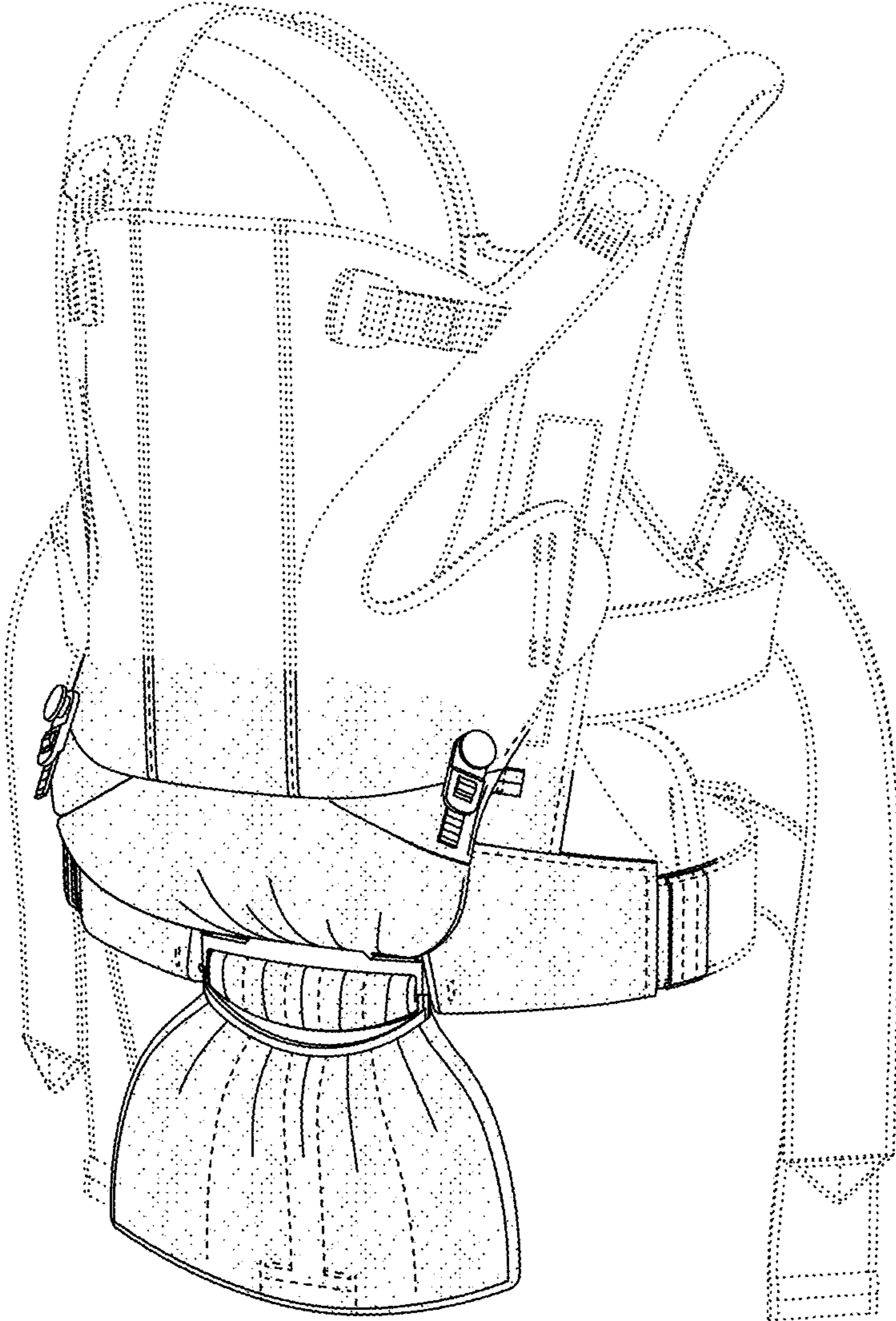


FIG. 8

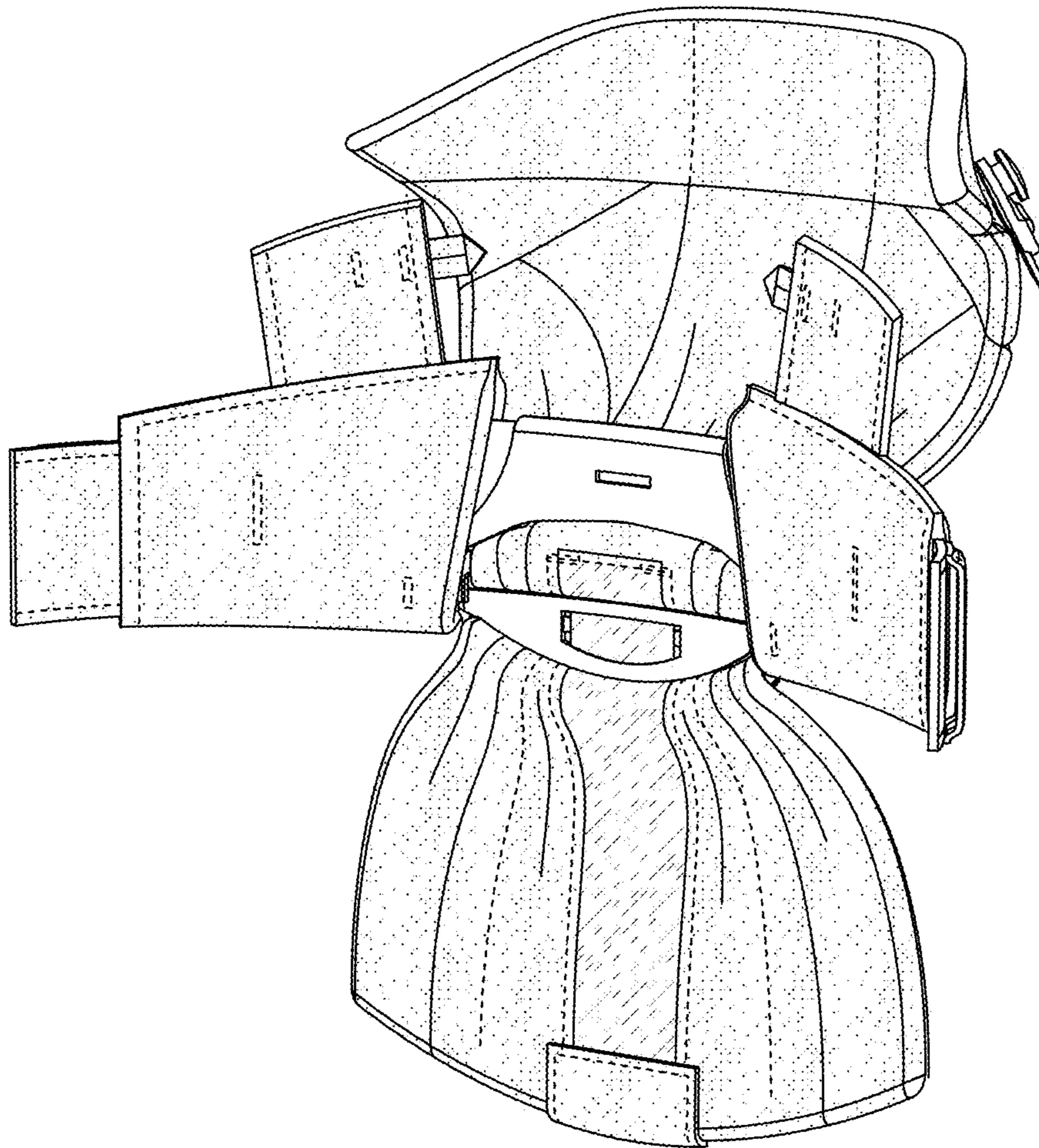


FIG. 9

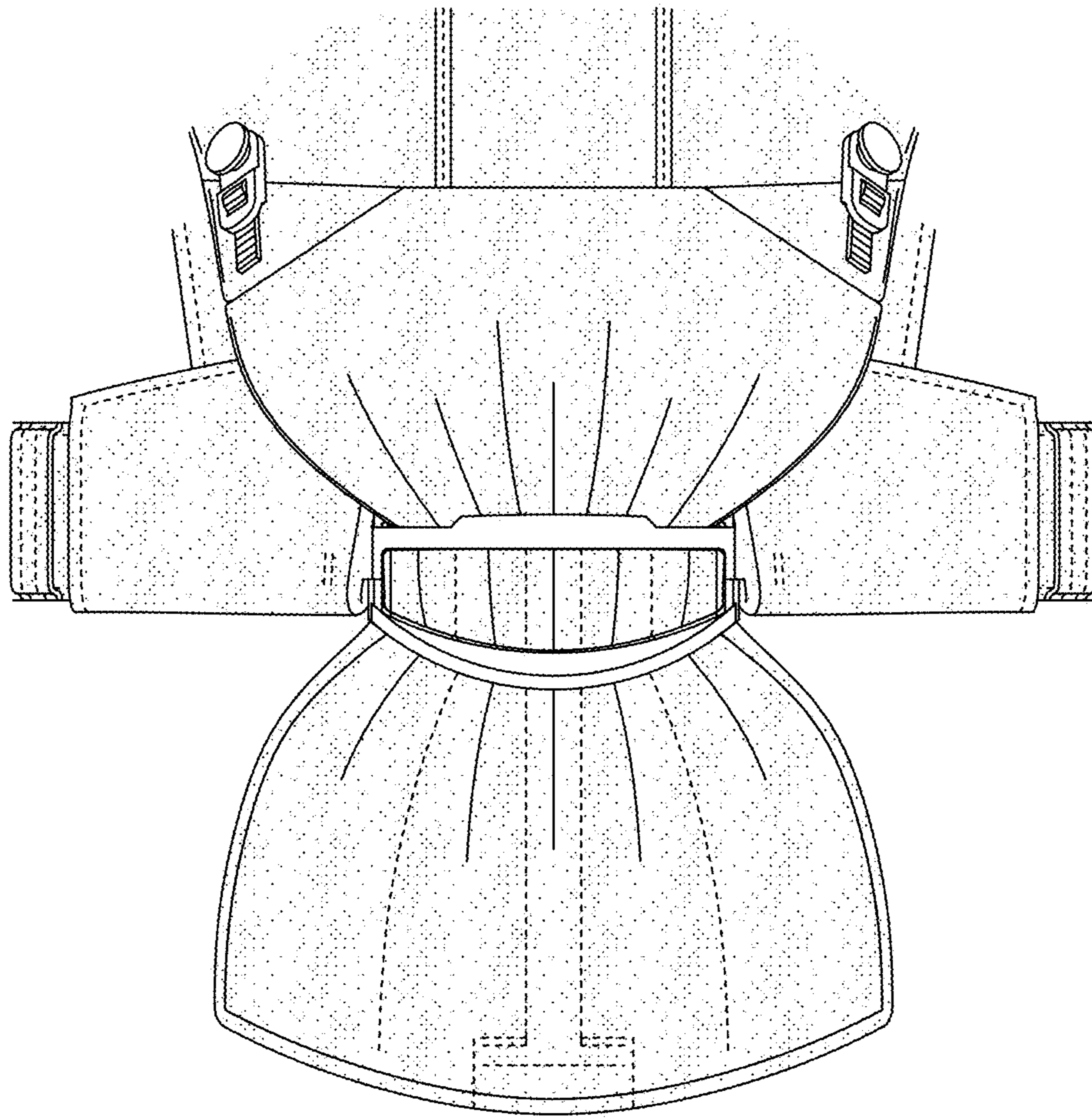


FIG. 10

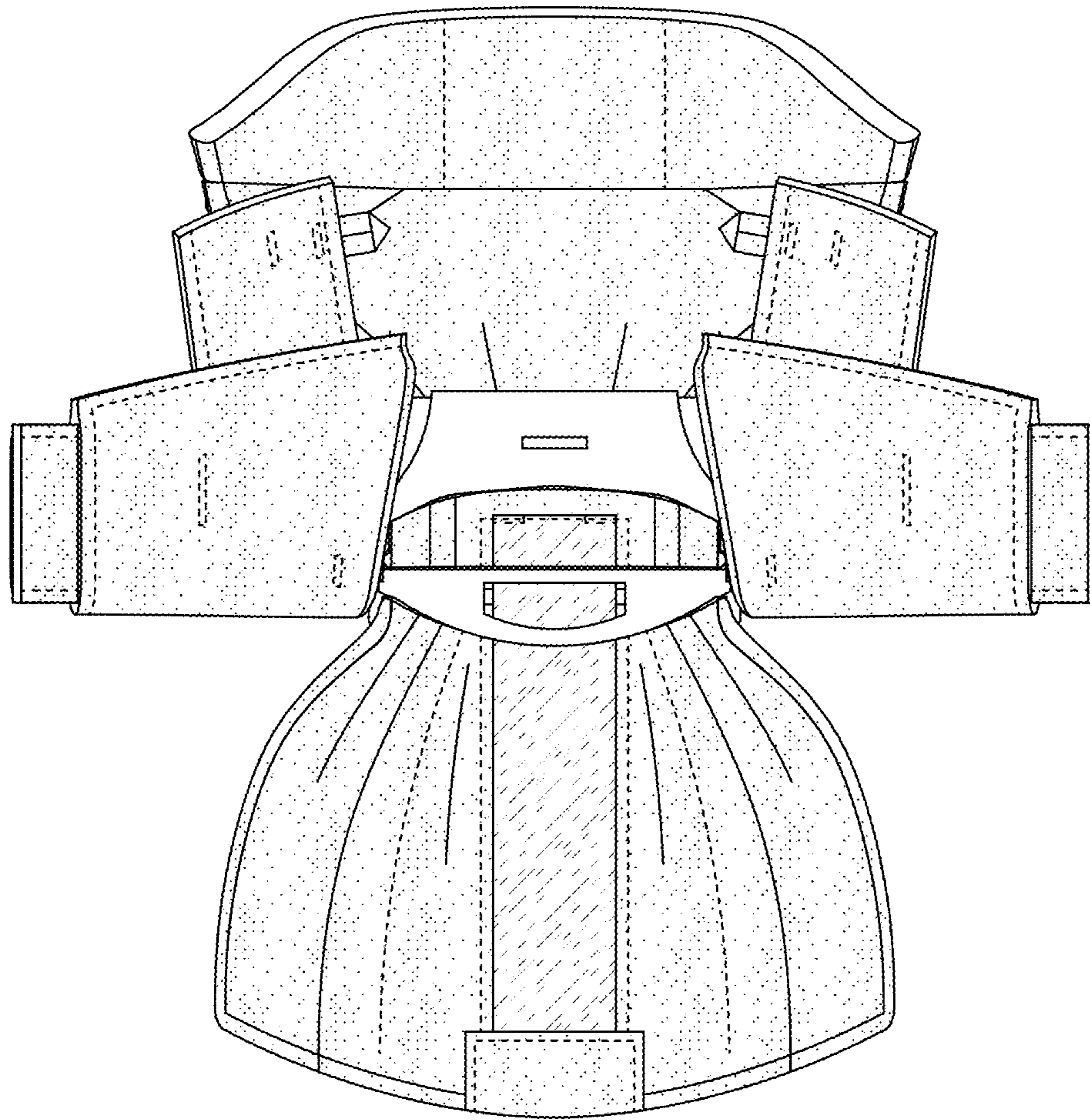


FIG. 11

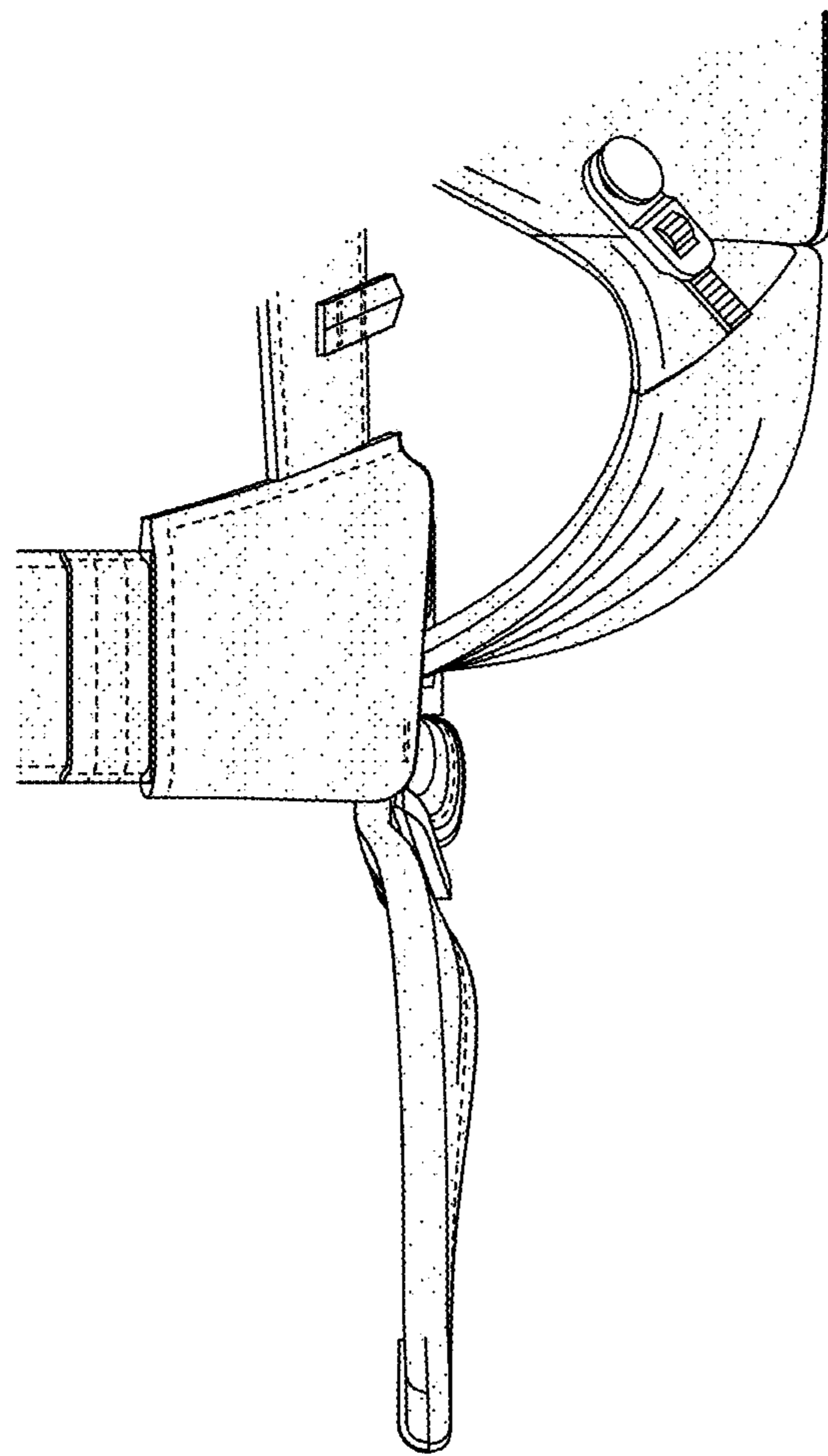


FIG. 12

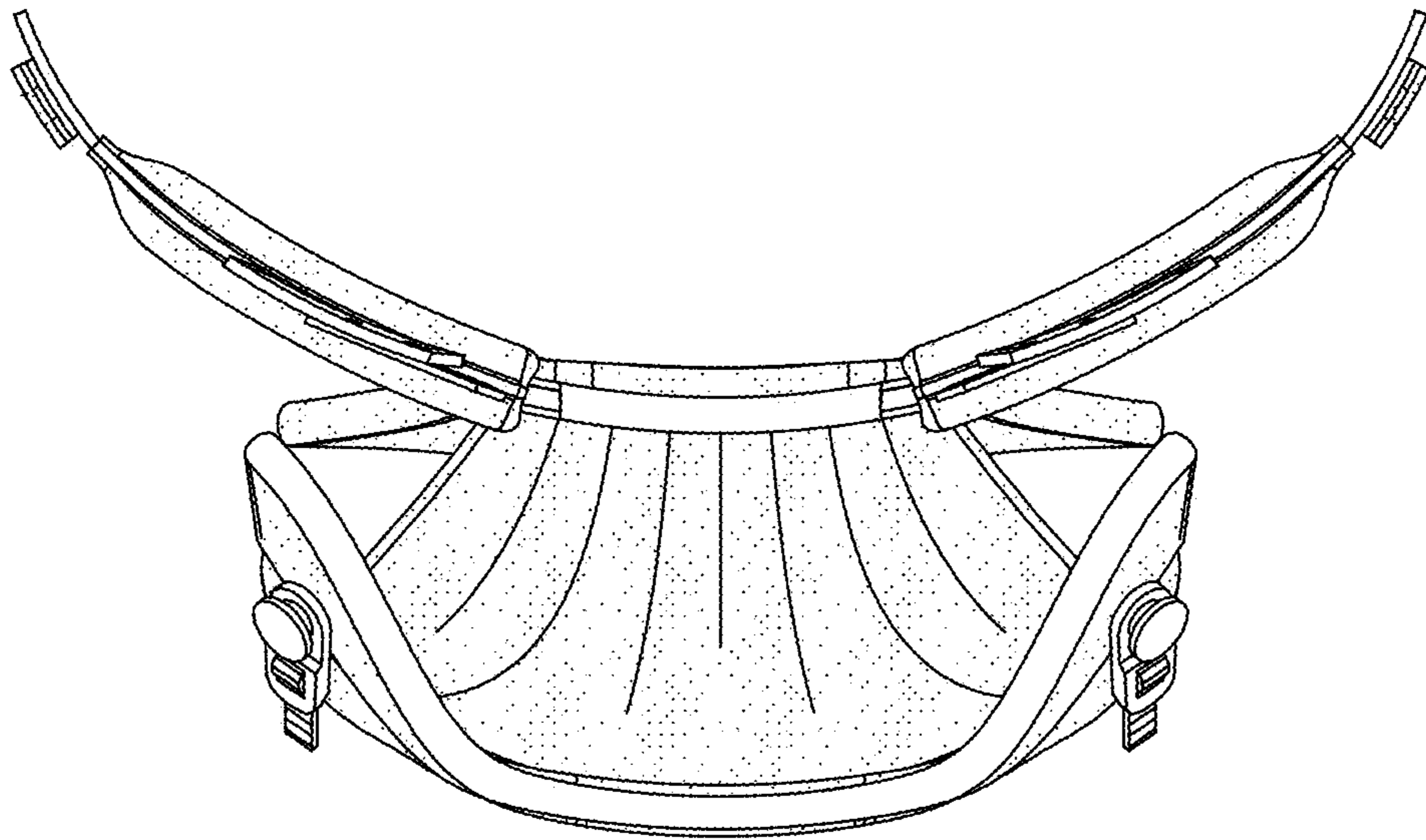


FIG. 13

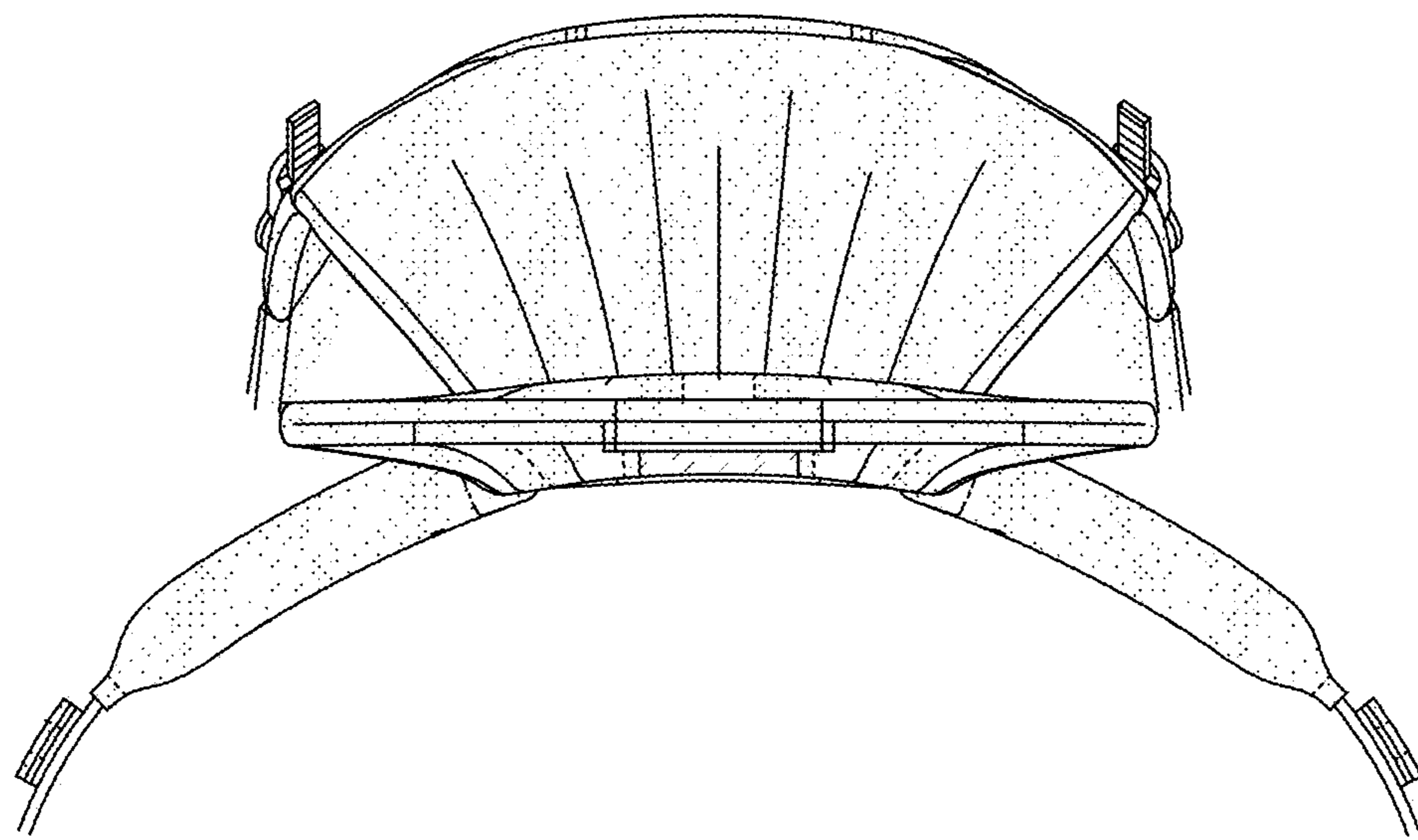


FIG. 14