



US00D913681S

(12) **United States Design Patent**  
**Grimsley et al.**

(10) **Patent No.:** **US D913,681 S**

(45) **Date of Patent:** **\*\* Mar. 23, 2021**

(54) **TWO-COMPARTMENT EARPLUG CONTAINER**

(71) Applicant: **MOLDEX-METRIC, INC.**, Culver City, CA (US)

(72) Inventors: **Terry L. Grimsley**, Torrance, CA (US);  
**Mark Magidson**, Los Angeles, CA (US)

(73) Assignee: **MOLDEX-METRIC, INC.**, Culver City, CA (US)

(\*\*) Term: **15 Years**

(21) Appl. No.: **29/693,339**

(22) Filed: **May 31, 2019**

(51) **LOC (13) Cl.** ..... **03-01**

(52) **U.S. Cl.**  
USPC ..... **D3/203.1**

(58) **Field of Classification Search**  
USPC .... D3/201, 203.1–203.8, 205, 206, 273, 294  
CPC ..... A61B 50/30; A61F 11/08; B65D 43/16;  
B65D 85/00; B65D 85/02; B65D 83/02  
See application file for complete search history.

(56) **References Cited**

U.S. PATENT DOCUMENTS

D257,790	S	*	1/1981	Kesling	.....	D24/227
4,321,998	A	*	3/1982	Van de Walker	.....	A61B 50/30 128/864
D286,137	S	*	10/1986	Huck	.....	D3/203.3
D307,388	S	*	4/1990	Newell	.....	D3/203.2
D322,031	S	*	12/1991	Fleming	.....	D3/294
D353,744	S	*	12/1994	Ferris	.....	D7/629
D400,011	S	*	10/1998	Palmer	.....	D3/294
D443,981	S	*	6/2001	DiVincenzo	.....	D3/205
D463,101	S	*	9/2002	Gardner	.....	D3/203.2
D474,886	S	*	5/2003	Fleming	.....	D3/203.1

D483,559	S	*	12/2003	Eldon, III	.....	D3/203.1
D494,359	S	*	8/2004	Eldon, III	.....	D3/203.5
D502,807	S	*	3/2005	Jaron	.....	D3/273
D503,831	S	*	4/2005	Ames	.....	D28/78
D506,611	S	*	6/2005	Hiller	.....	D3/281
D540,038	S	*	4/2007	Hussaini	.....	D3/201
7,201,271	B1	*	4/2007	Saad	.....	A45C 11/00 132/315
D612,148	S	*	3/2010	Treece	.....	D3/203.1
D689,687	S	*	9/2013	Lipscomb	.....	D3/20
D697,302	S	*	1/2014	Pourcho	.....	D3/203.1
D748,280	S	*	1/2016	Lui	.....	D24/227
D774,904	S	*	12/2016	Elston	.....	D3/201
D823,593	S	*	7/2018	Giannopoulos	.....	D3/203.1

(Continued)

*Primary Examiner* — Steven J Czyz

(74) *Attorney, Agent, or Firm* — Charles H. Schwartz

(57) **CLAIM**

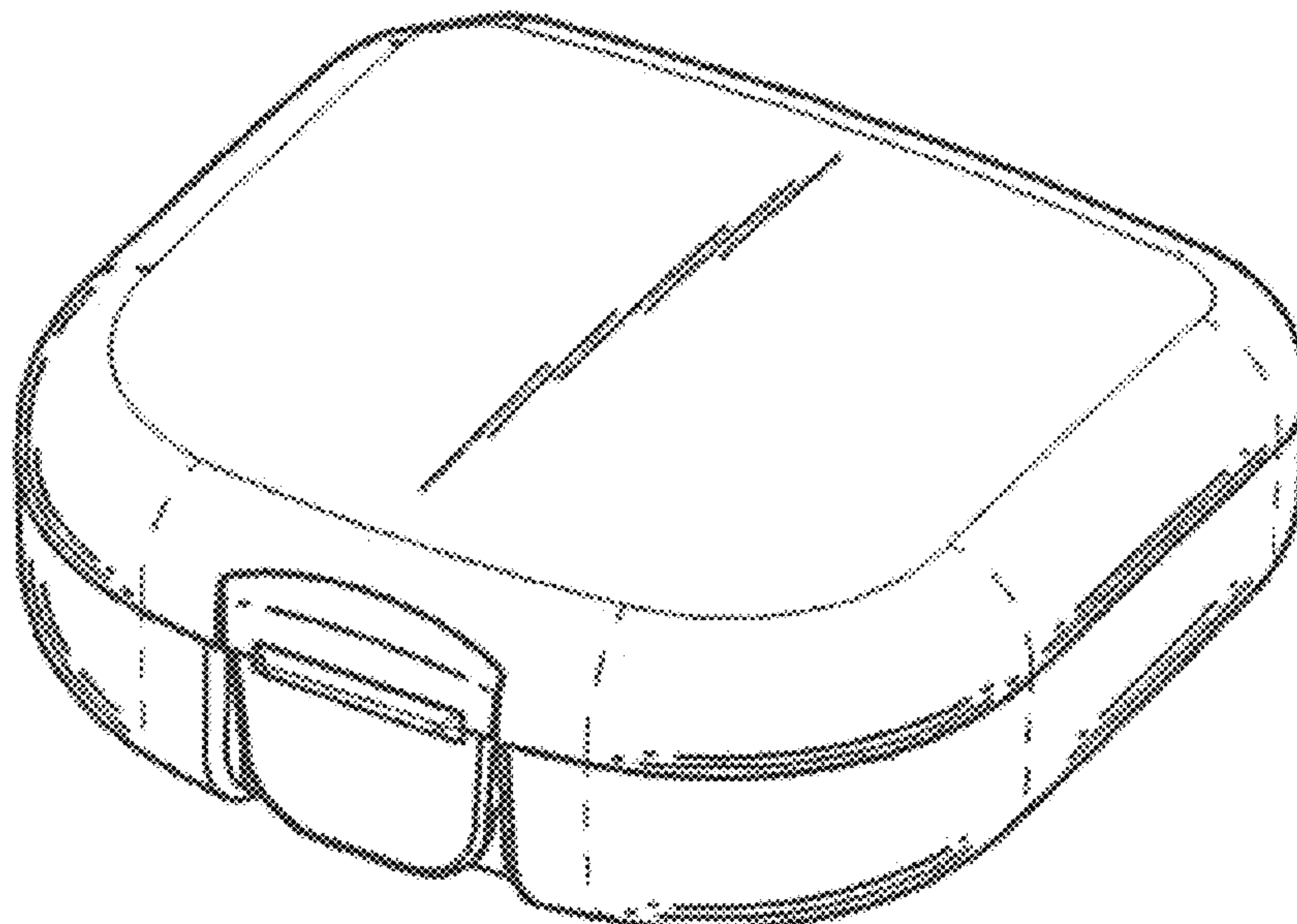
The ornamental design for a two-compartment earplug container, as shown and described.

**DESCRIPTION**

FIG. 1 is a front perspective view of a two-compartment earplug container according to our design;  
 FIG. 2 is a rear perspective view thereof;  
 FIG. 3 is a front perspective view of the two-compartment earplug container shown in an open position;  
 FIG. 4 is a rear perspective view thereof;  
 FIG. 5 front view of the two-compartment earplug container shown in a closed position;  
 FIG. 6 is a rear view thereof;  
 FIG. 7 is a top plan view thereof;  
 FIG. 8 is a bottom plan view thereof;  
 FIG. 9 is a left side elevation view thereof; and,  
 FIG. 10 is a right side elevation view thereof.

The broken lines appearing in the drawings depict unclaimed subject matter only and form no part of Applicant's invention.

**1 Claim, 3 Drawing Sheets**



(56)

**References Cited**

U.S. PATENT DOCUMENTS

D874,062 S \* 1/2020 McGarry ..... D28/47  
D876,820 S \* 3/2020 Griffin ..... D3/203.1

\* cited by examiner

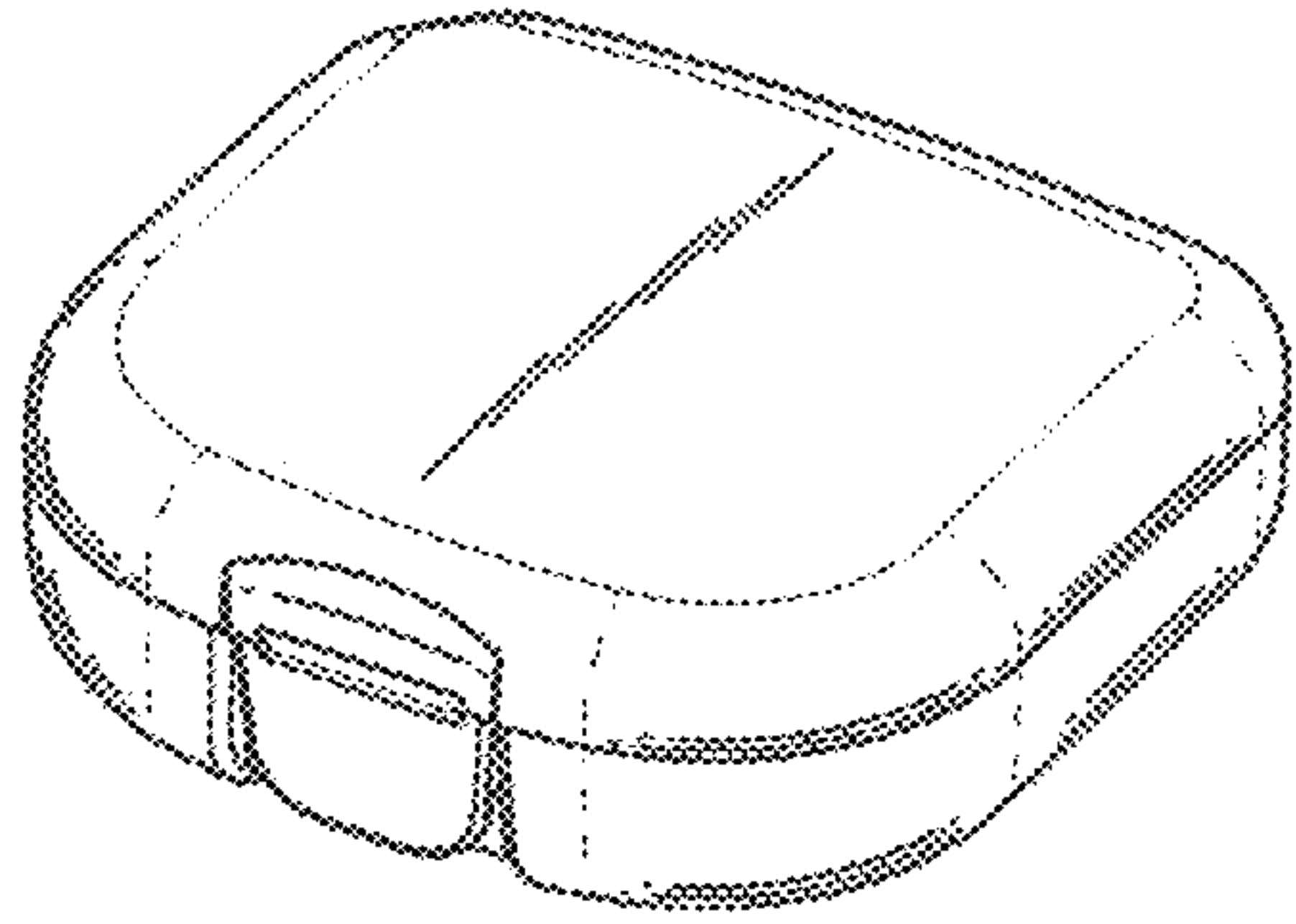


Fig. 1

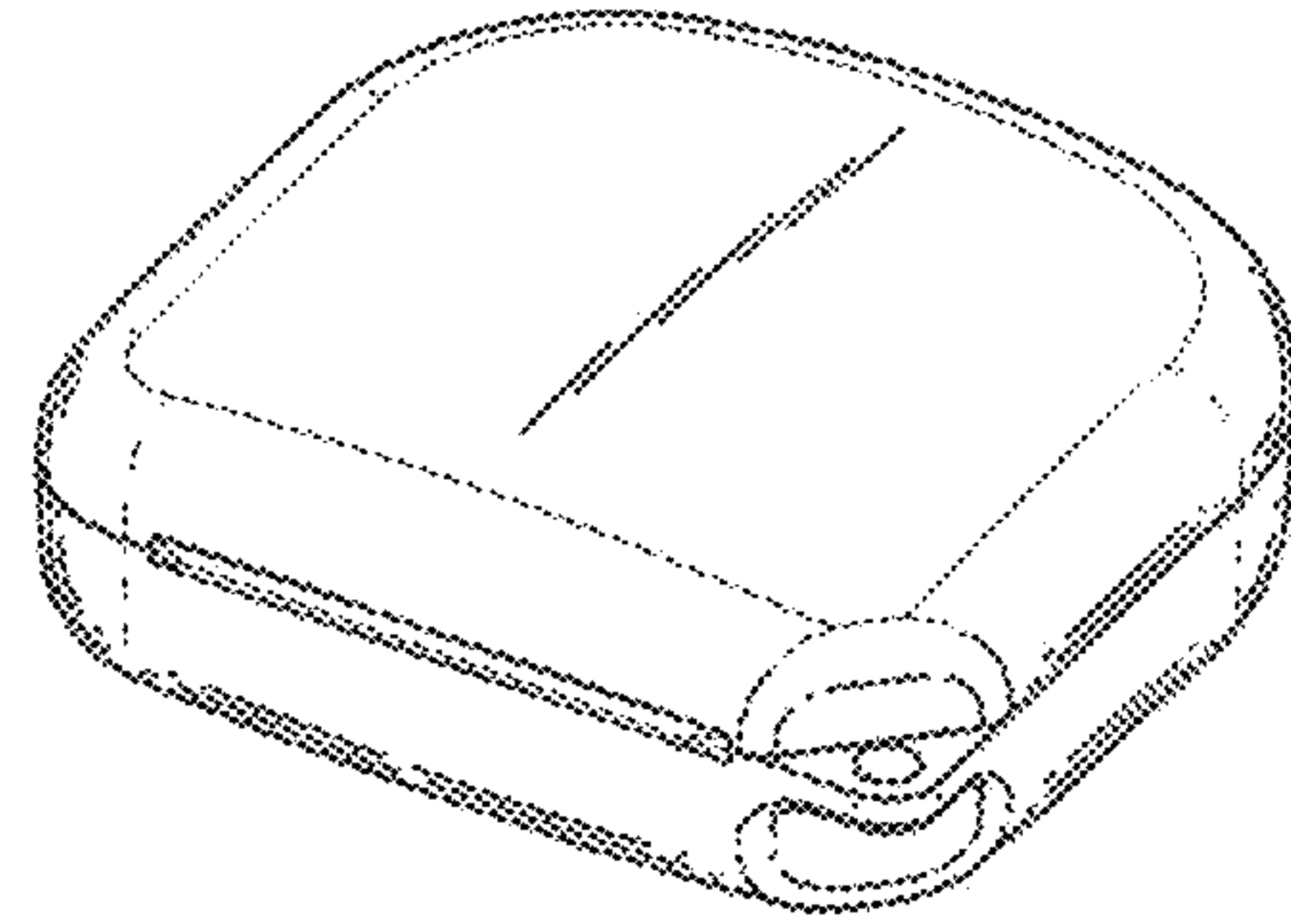


Fig. 2

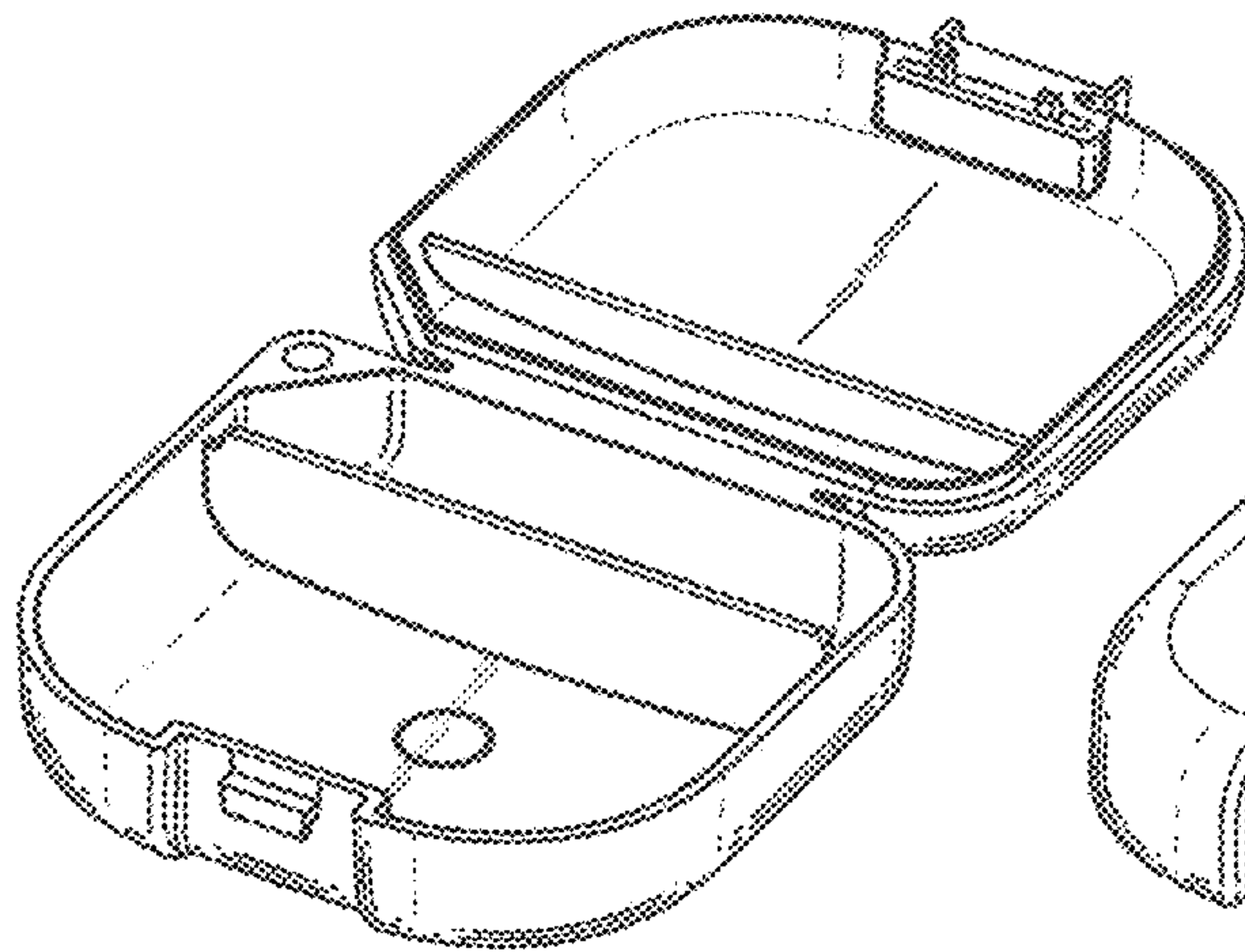


Fig. 3

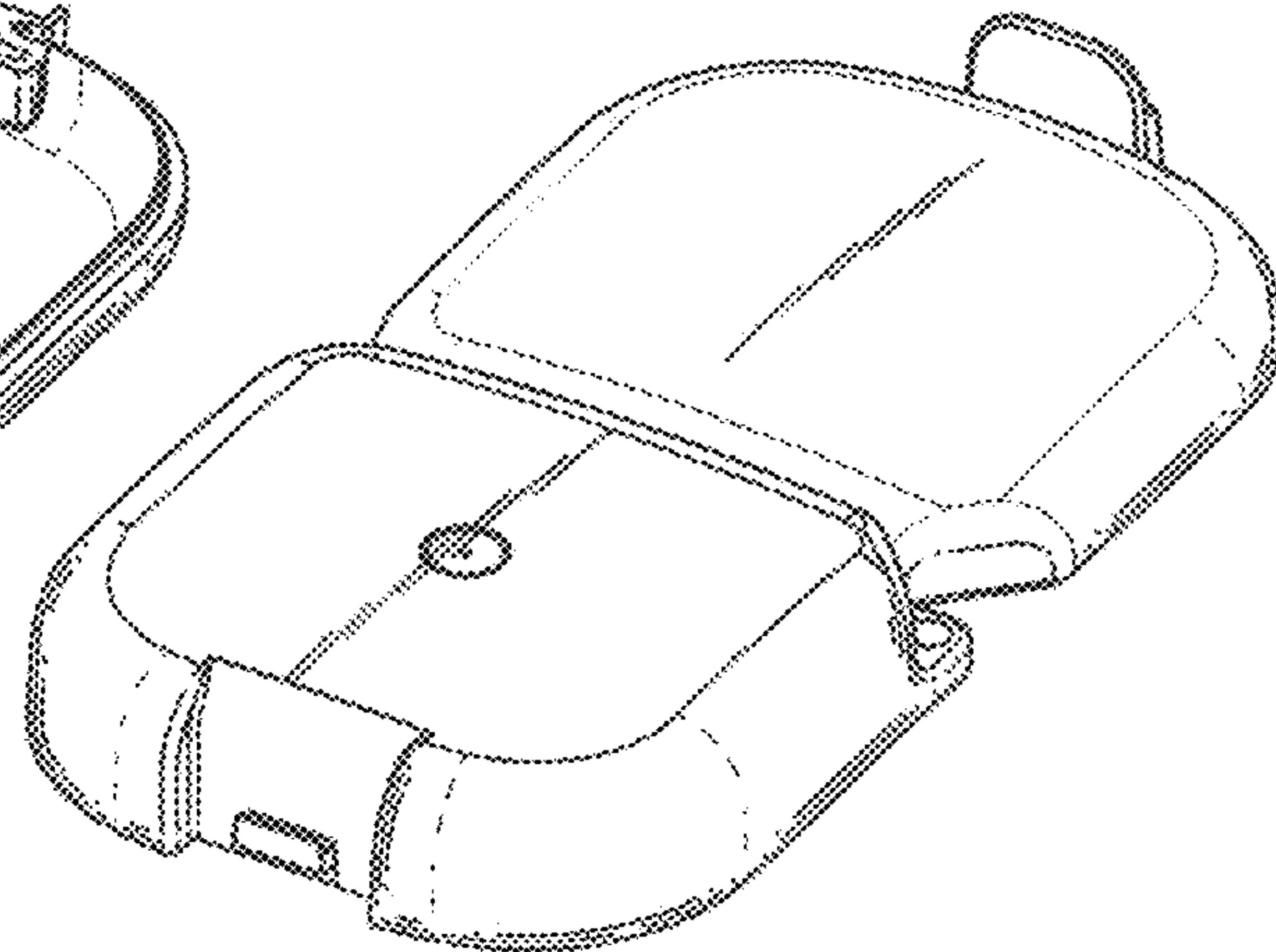


Fig. 4

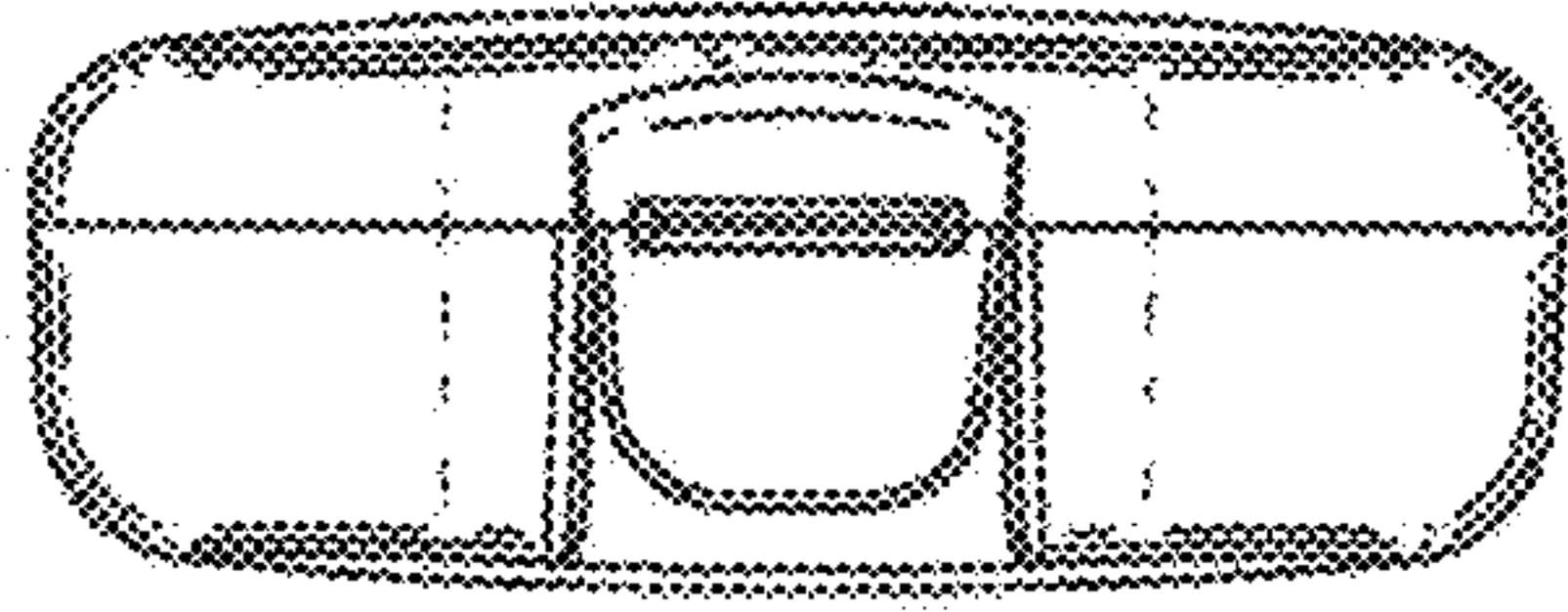


Fig. 5



Fig. 6

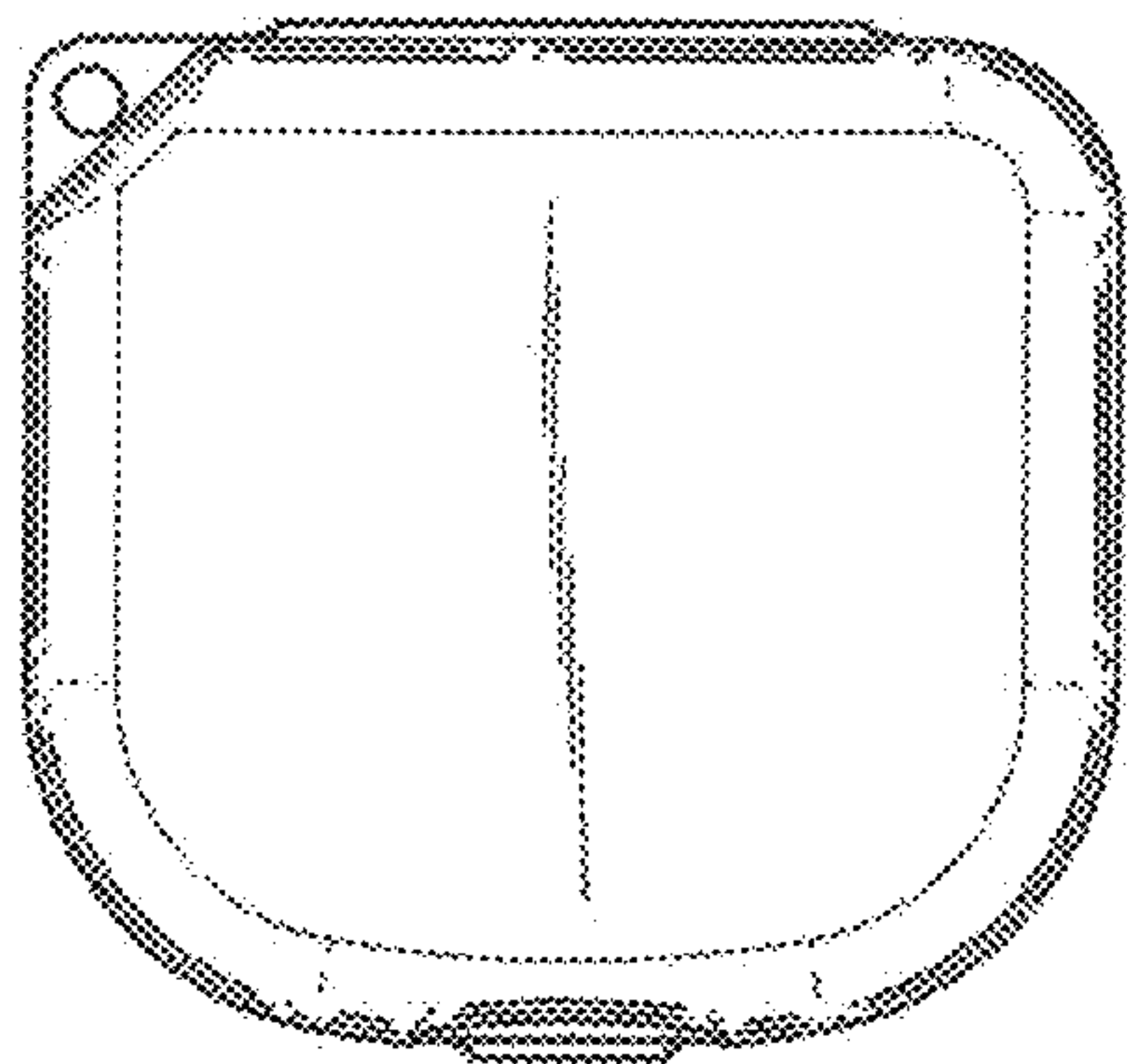


Fig. 7

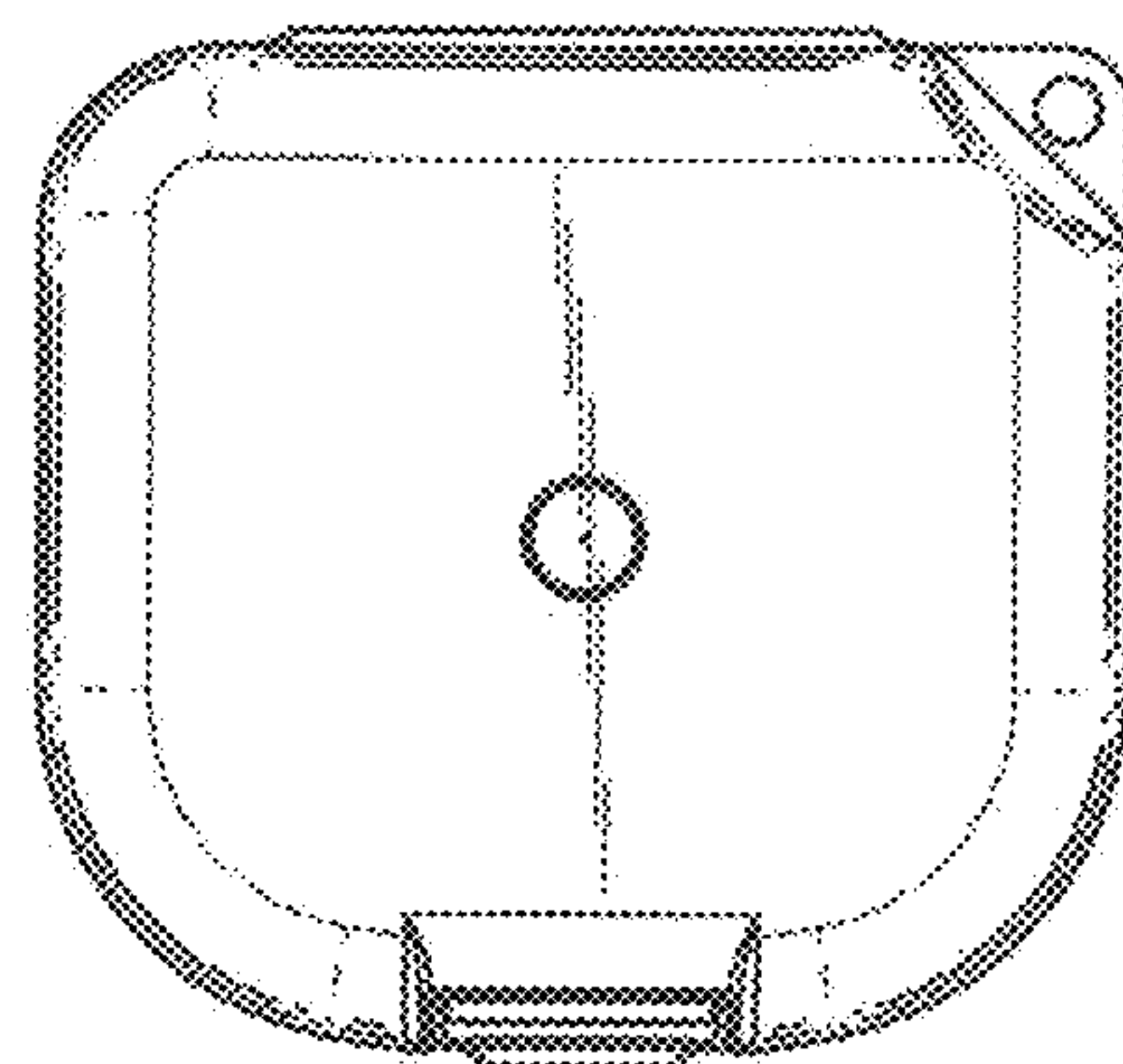


Fig. 8



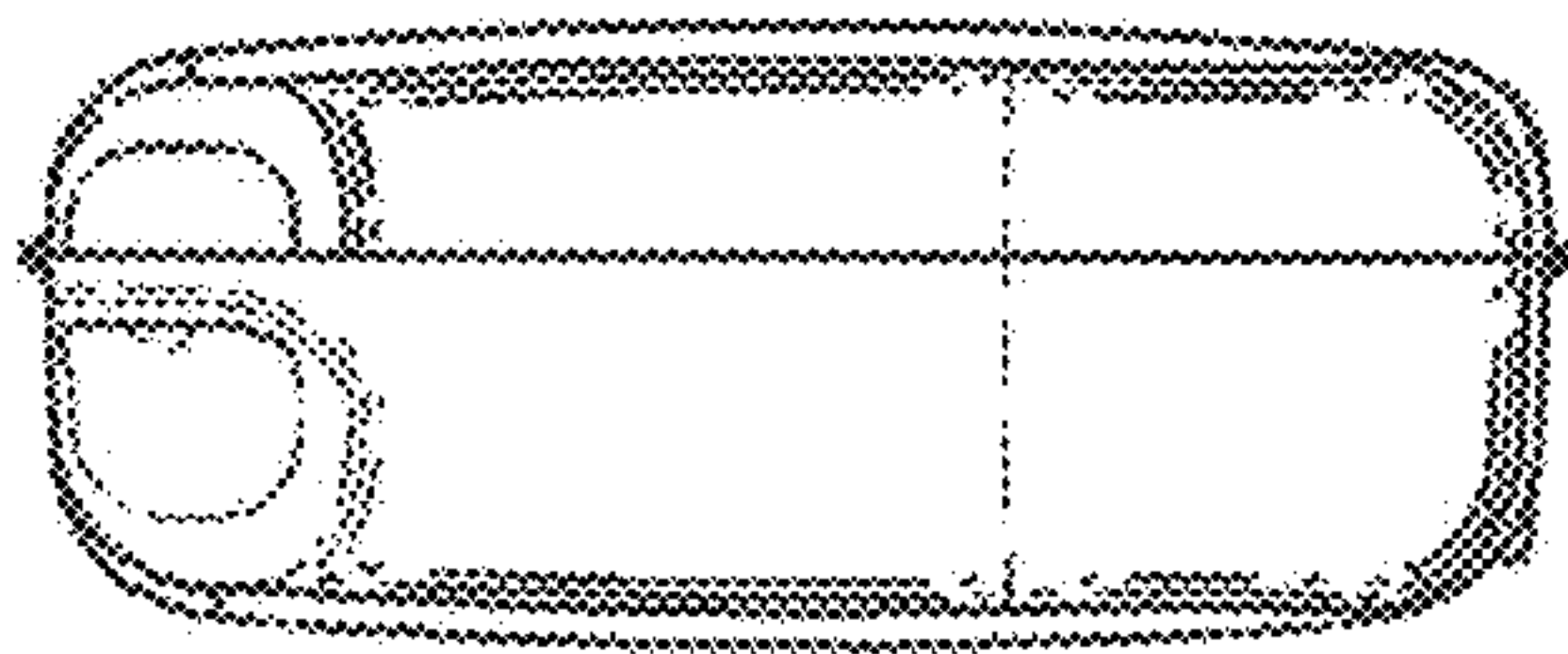


Fig. 9

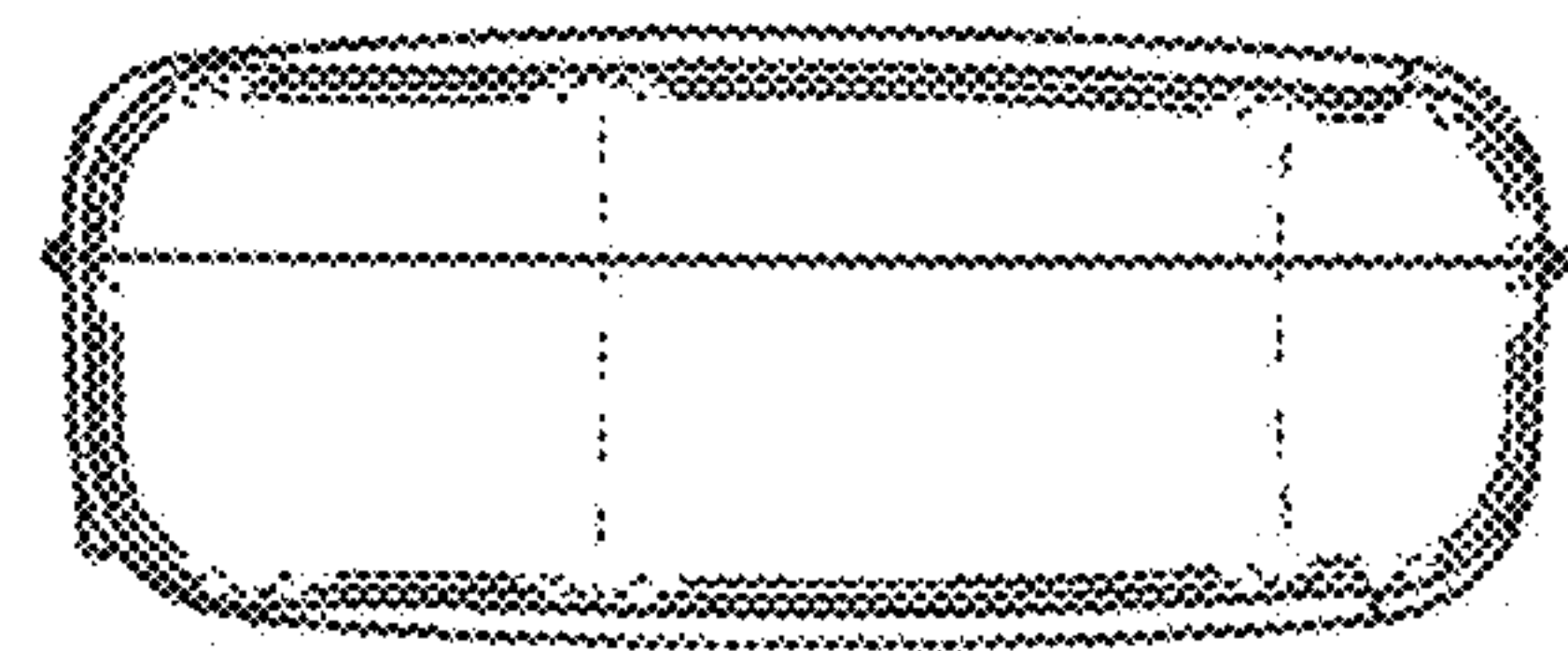


Fig. 10