



US00D913680S

(12) **United States Design Patent**
Kim

(10) **Patent No.:** **US D913,680 S**
(45) **Date of Patent:** **** Mar. 23, 2021**

- (54) **MEDICINE STORAGE CASE**
- (71) Applicant: **JVM Co., Ltd.**, Daegu (KR)
- (72) Inventor: **Joon Ho Kim**, Daegu (KR)
- (73) Assignee: **JVM CO., LTD.**, Daegu (KR)
- (**) Term: **15 Years**
- (21) Appl. No.: **29/689,031**
- (22) Filed: **Apr. 26, 2019**
- (30) **Foreign Application Priority Data**
 - Oct. 29, 2018 (KR) 30-2018-049581
- (51) **LOC (13) Cl.** **03-01**
- (52) **U.S. Cl.**
USPC **D3/203.1**
- (58) **Field of Classification Search**
 - USPC D3/201, 203.1–203.8; D6/515, 518;
D7/589; D9/730, 732, 734, 414, 416,
D9/417, 419, 433
 - CPC B65D 83/0472; B65D 83/04; B65D
83/0463; B65D 5/38; B65D 2583/0454;
B65D 77/02; Y10S 206/824; A61J 1/00;
A61J 1/03; A61J 1/035

See application file for complete search history.

- (56) **References Cited**
 - U.S. PATENT DOCUMENTS
 - 3,362,578 A * 1/1968 Spencer B65D 83/0805
221/25
 - 4,004,683 A * 1/1977 Pomeroy B65D 83/0472
206/3
 - D398,772 S * 9/1998 Benham D3/203.6
 - D400,095 S * 10/1998 Uebele D9/734
 - D404,201 S * 1/1999 Wennerstrom D3/294
 - 6,491,211 B1 * 12/2002 Evans B65D 5/38
206/532

- D477,464 S * 7/2003 Cang D3/294
- D523,743 S * 6/2006 Solowiejko D3/294
- D540,536 S * 4/2007 Lam D3/203.6
- D560,489 S * 1/2008 Satnick D3/293
- D579,195 S * 10/2008 Kagawa D3/203.1
- D589,703 S * 4/2009 Wenchel D3/273
- D606,393 S * 12/2009 Easterbrook D3/203.2
- D609,118 S * 2/2010 Woodworth D9/730
- D611,806 S * 3/2010 Bried D9/420
- D617,987 S * 6/2010 Wang D3/294
- D644,507 S * 9/2011 Lee B65D 83/04
D9/417
- D645,338 S * 9/2011 Kapur D9/415
- D646,484 S * 10/2011 Deguglimo D3/281
- 8,205,752 B2 * 6/2012 Sack B65D 83/04
206/531
- D673,360 S * 1/2013 Denzinger D3/203.2
- 8,365,978 B2 * 2/2013 Yoshimura B65D 85/1045
229/87.05
- D680,318 S * 4/2013 Denzinger D3/203.2

(Continued)

Primary Examiner — Steven J Czyn
(74) *Attorney, Agent, or Firm* — Panitch Schwarze
Belisario & Nadel LLP

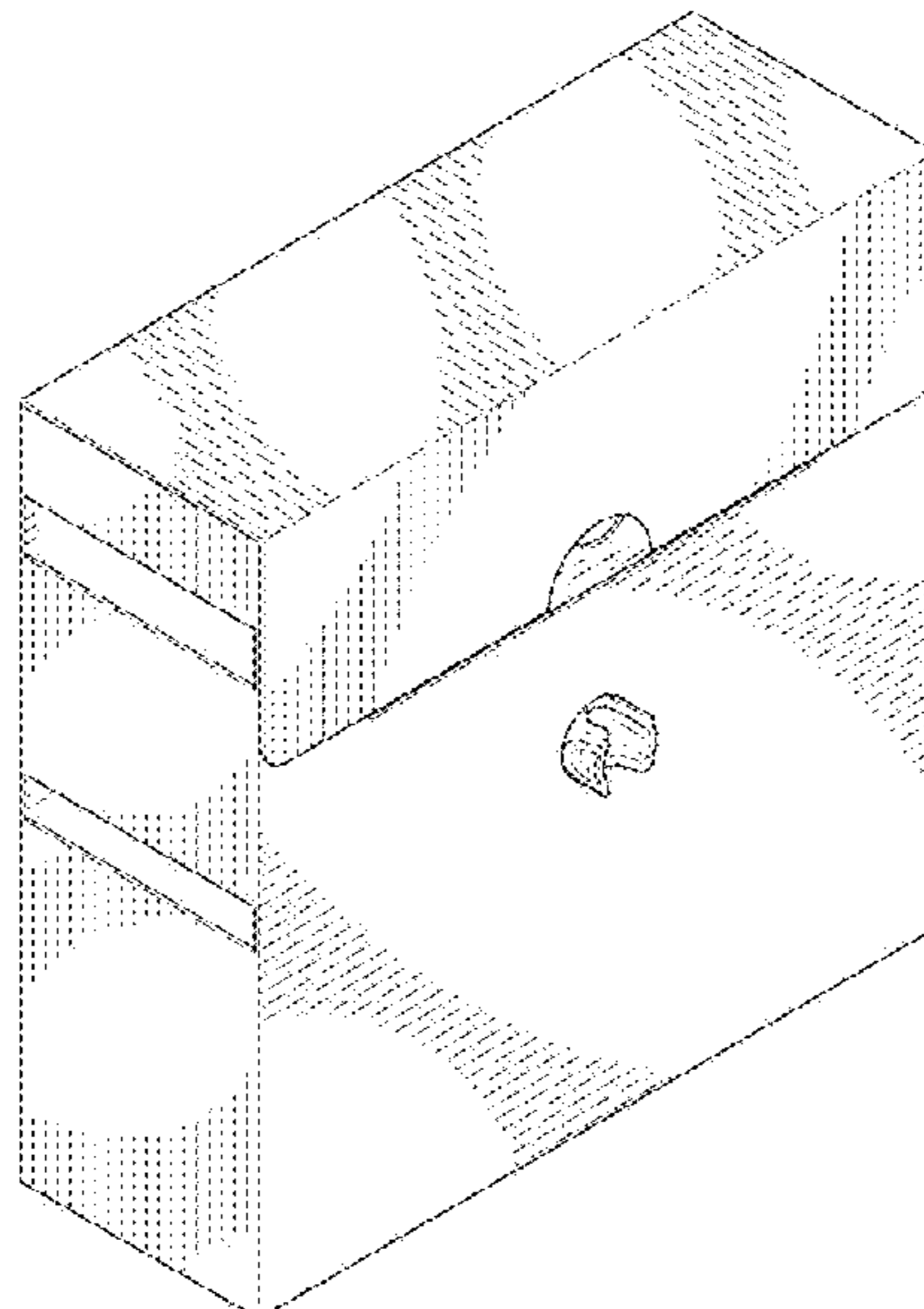
(57) **CLAIM**

The ornamental design for a medicine storage case, as shown and described.

DESCRIPTION

FIG. 1 is a front perspective view of a medicine storage case; FIG. 2 is a front elevational view thereof; FIG. 3 is a rear elevational view thereof; FIG. 4 is a left side elevational view thereof; FIG. 5 is a right side elevational view thereof; FIG. 6 is a top plan view thereof; and, FIG. 7 is a bottom plan view thereof. The features shown in broken lines depict environmental structure only and form no part of the claimed design.

1 Claim, 7 Drawing Sheets



(56)

References Cited

U.S. PATENT DOCUMENTS

D681,937 S * 5/2013 Peterson D3/203.6
 D691,803 S * 10/2013 Chen D3/294
 D693,114 S * 11/2013 Lemanski, Sr. D3/203.8
 8,678,189 B2 * 3/2014 Niggel B65D 43/16
 206/528
 8,691,305 B2 * 4/2014 Markovic B65D 25/10
 426/115
 D715,638 S * 10/2014 Wollschleger B65D 83/04
 D9/418
 D723,263 S * 3/2015 Zhuang D3/203.1
 D730,167 S * 5/2015 Burgess D9/414
 D740,559 S * 10/2015 Steele D3/281
 D748,467 S * 2/2016 Angeloni D9/420
 D762,466 S * 8/2016 Angeloni D9/420
 D772,559 S * 11/2016 Binder D3/203.6
 D775,463 S * 1/2017 Shieh D3/215
 D804,806 S * 12/2017 Stueckemann D3/203.2
 D819,439 S * 6/2018 Young D9/420
 D821,088 S * 6/2018 Kim D3/203.3

10,017,291 B2 * 7/2018 Smith B65D 5/728
 D831,330 S * 10/2018 Kim D3/203.1
 D833,734 S * 11/2018 Binder D3/203.6
 D835,901 S * 12/2018 Kietzmann D3/203.1
 D837,049 S * 1/2019 Sumiya D9/420
 D839,584 S * 2/2019 Kim D3/203.3
 D853,105 S * 7/2019 Kietzmann D3/203.1
 D854,814 S * 7/2019 Kietzmann D3/203.3
 10,364,061 B2 * 7/2019 Eckert B65D 77/02
 D861,323 S * 10/2019 Kietzmann D3/203.1
 D866,312 S * 11/2019 Ito D9/416
 D873,555 S * 1/2020 Wurm D3/203.1
 D873,676 S * 1/2020 Weston B65D 5/5021
 D9/756
 D876,819 S * 3/2020 Kim D3/203.1
 D882,243 S * 4/2020 Marshall D3/203.1
 D882,392 S * 4/2020 Haines D9/420
 D882,394 S * 4/2020 Griffin D9/420
 D889,118 S * 7/2020 Lee D3/203.2
 10,737,874 B2 * 8/2020 Pourian B65D 83/0463
 2009/0151115 A1 * 6/2009 Klein B65D 83/0882
 16/221

* cited by examiner

FIG. 1

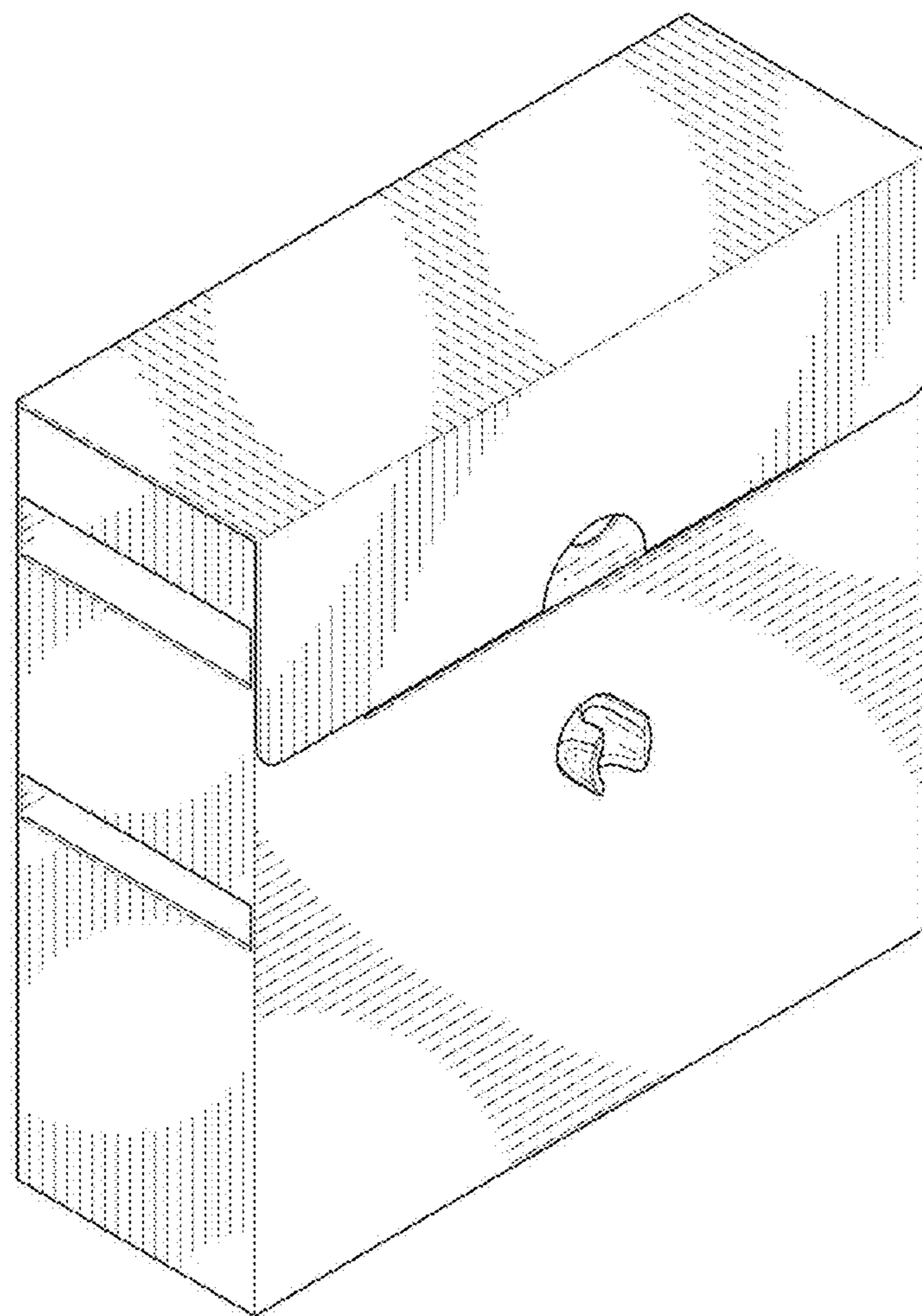


FIG. 2

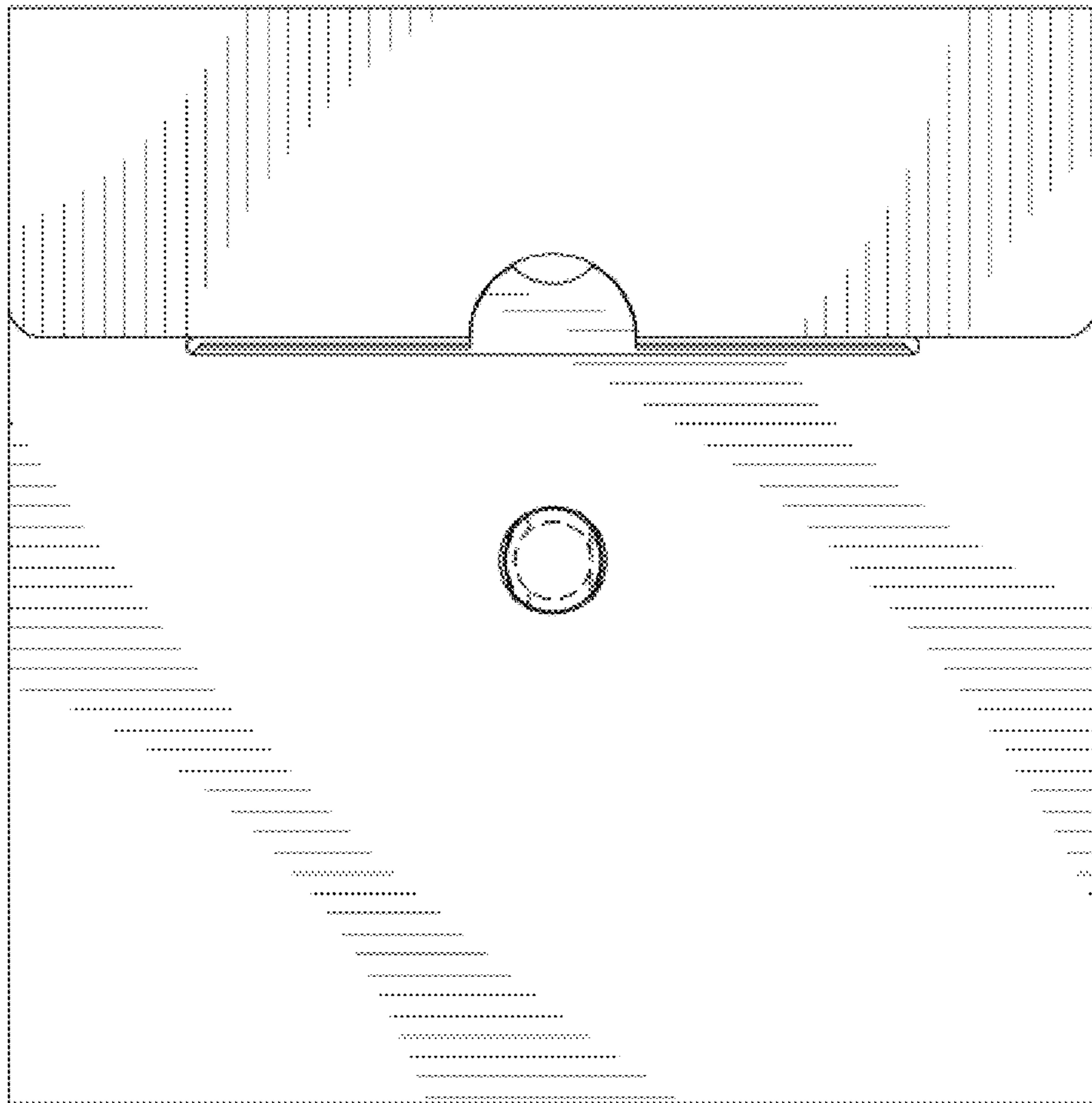


FIG. 3

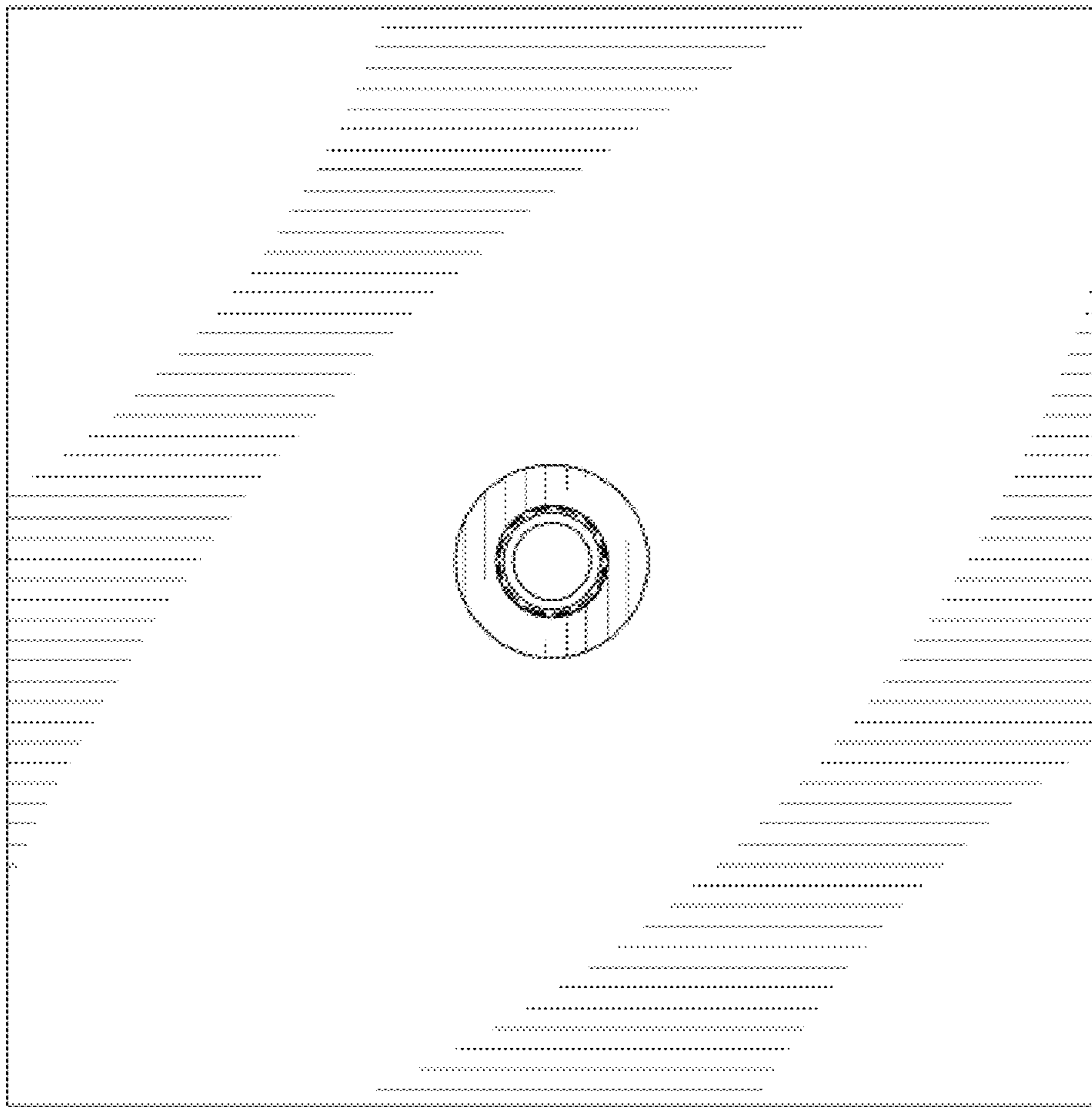


FIG. 4

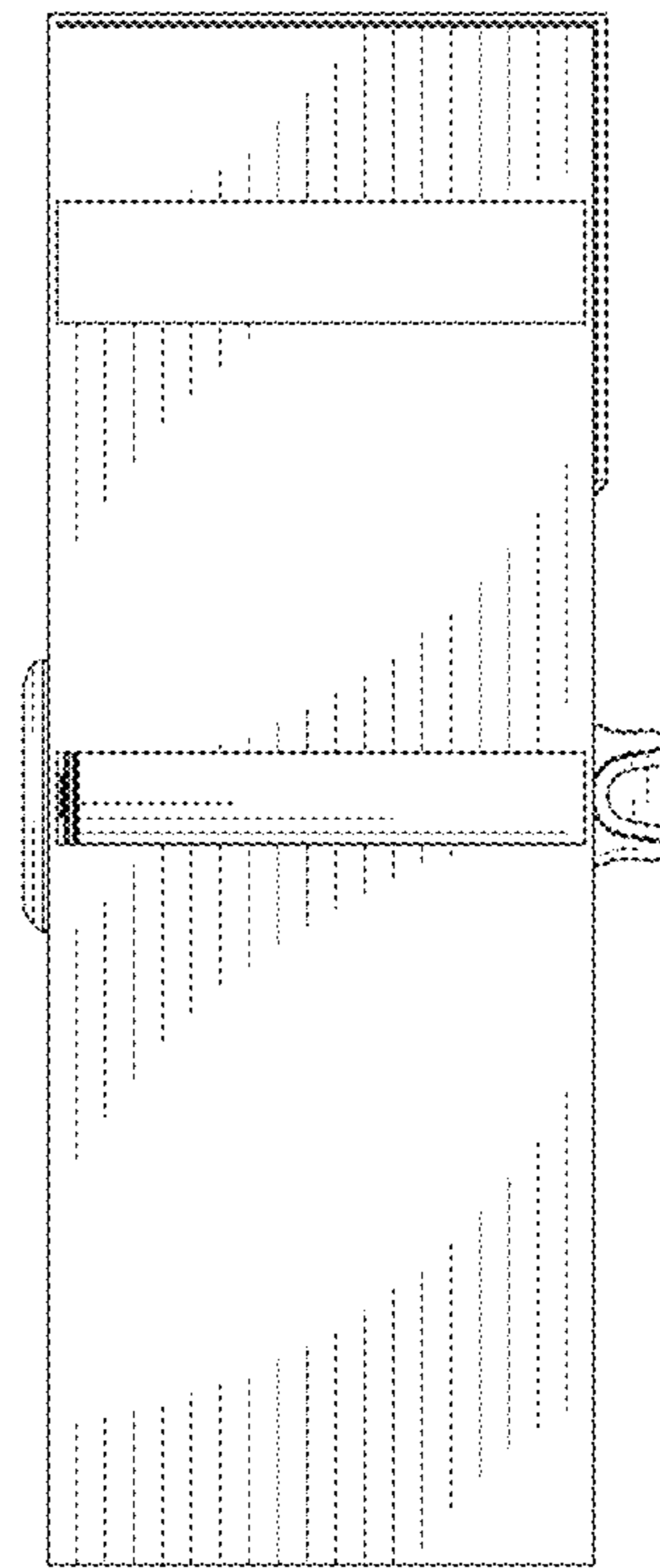


FIG. 5

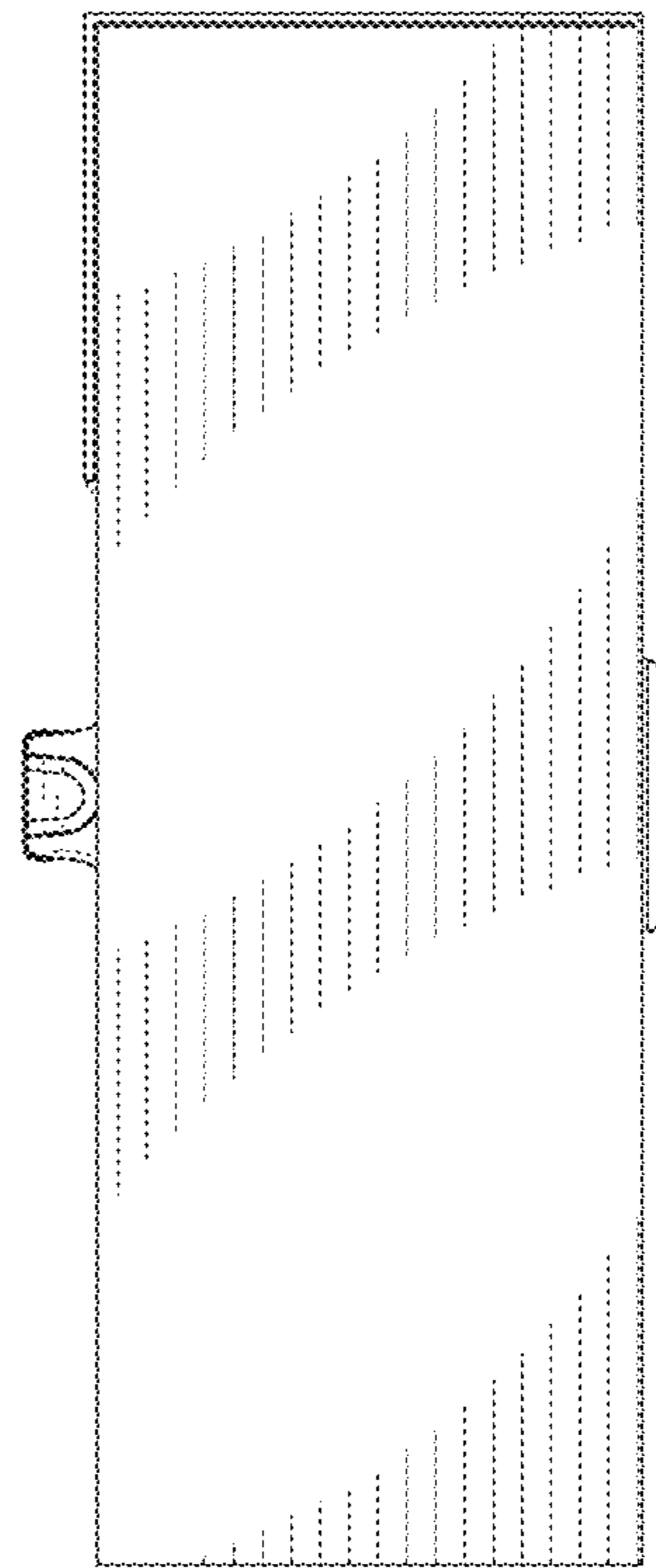


FIG. 6

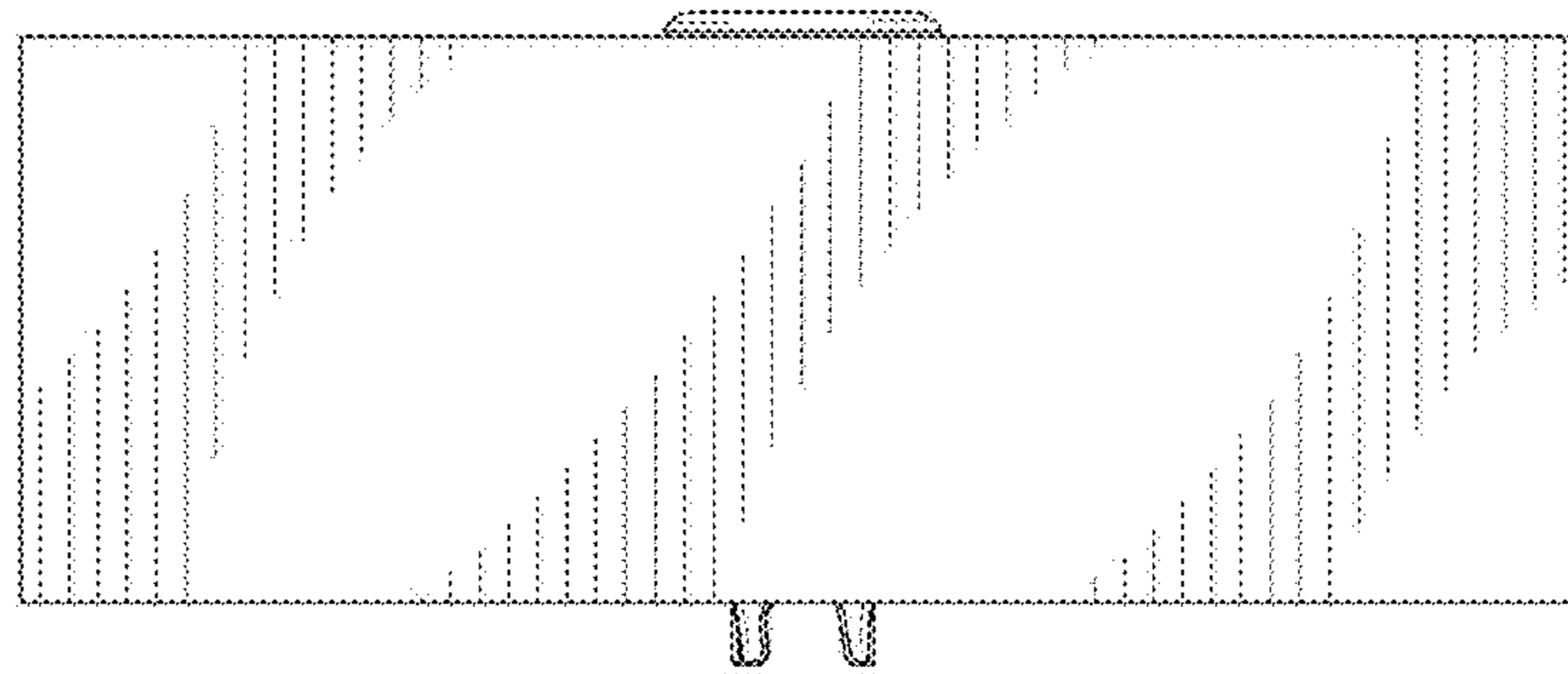


FIG. 7

