



US00D913674S

(12) **United States Design Patent**
Suh

(10) **Patent No.:** **US D913,674 S**
(45) **Date of Patent:** **** Mar. 23, 2021**

(54) **SHOE UPPER**

(71) Applicant: **Brooks Sports, Inc.**, Seattle, WA (US)

(72) Inventor: **Brian Hyungsuk Suh**, Seattle, WA (US)

(73) Assignee: **Brooks Sports, Inc.**, Seattle, WA (US)

(**) Term: **15 Years**

(21) Appl. No.: **29/711,574**

(22) Filed: **Oct. 31, 2019**

(51) **LOC (13) Cl.** **02-04**

(52) **U.S. Cl.**
USPC **D2/969**

(58) **Field of Classification Search**
USPC D2/896, 902, 906-908, 943-946, 969, D2/972-974
CPC A43B 13/181; A43B 23/00; A43B 23/02; A43B 5/00; A43B 1/04; A43B 13/141; A43B 13/188; A43B 13/186; A43B 23/26; A43B 7/00; A43B 3/12; A43C 3/00; A43C 7/00; A43C 11/004; A43C 5/00

See application file for complete search history.

(56) **References Cited**

U.S. PATENT DOCUMENTS

D683,128 S *	5/2013	Avar	D2/972
D815,413 S *	4/2018	Weddle	D2/969
D820,577 S *	6/2018	Wright	D2/972
D849,371 S *	5/2019	Ortega	D2/902
D849,372 S *	5/2019	Ortega	D2/902

D868,445 S *	12/2019	de Montgolfier	D2/972
D870,446 S *	12/2019	Page	D2/972
10,555,582 B2 *	2/2020	Humphrey	A43C 11/004

OTHER PUBLICATIONS

Ghost 13 posted by Brooks posted date unknown, © Brooks Running, [online], [site visited Oct. 8, 2020]. Available from Internet, https://www.brooksrunning.com/en_us/ghost-13-womens-running-shoe/120338.html?dwvar_120338_color=129&dwvar_120338_width=B (Year: 2020).*

* cited by examiner

Primary Examiner — Cynthia Ramirez

Assistant Examiner — Laura H Yu

(74) *Attorney, Agent, or Firm* — Cozen O'Connor

(57) **CLAIM**

The ornamental design for a shoe upper, substantially as shown and described.

DESCRIPTION

FIG. 1 is a photographic perspective view of a shoe upper, showing my new design;
FIG. 2 is a front view of the shoe upper shown in FIG. 1;
FIG. 3 is a rear view of the shoe upper shown in FIG. 1;
FIG. 4 is a side view of the shoe upper shown in FIG. 1;
FIG. 5 is another side view of the shoe upper shown in FIG. 1; and,
FIG. 6 is a top view of the shoe upper illustrated in FIG. 1. The broken lines on the shoe upper illustrate portions of the shoe upper that form no part of the claimed design. The broken lines in the figures depicting a sole of a shoe are for the purpose of illustrating environment and form no part of the claimed design.

1 Claim, 6 Drawing Sheets

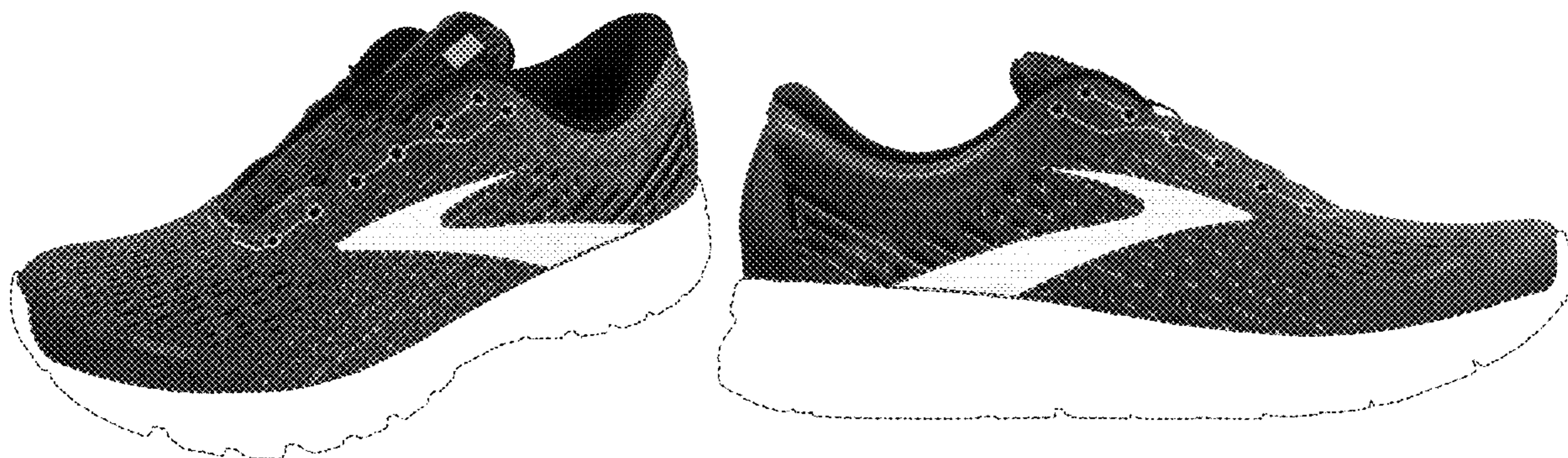




FIG. 1

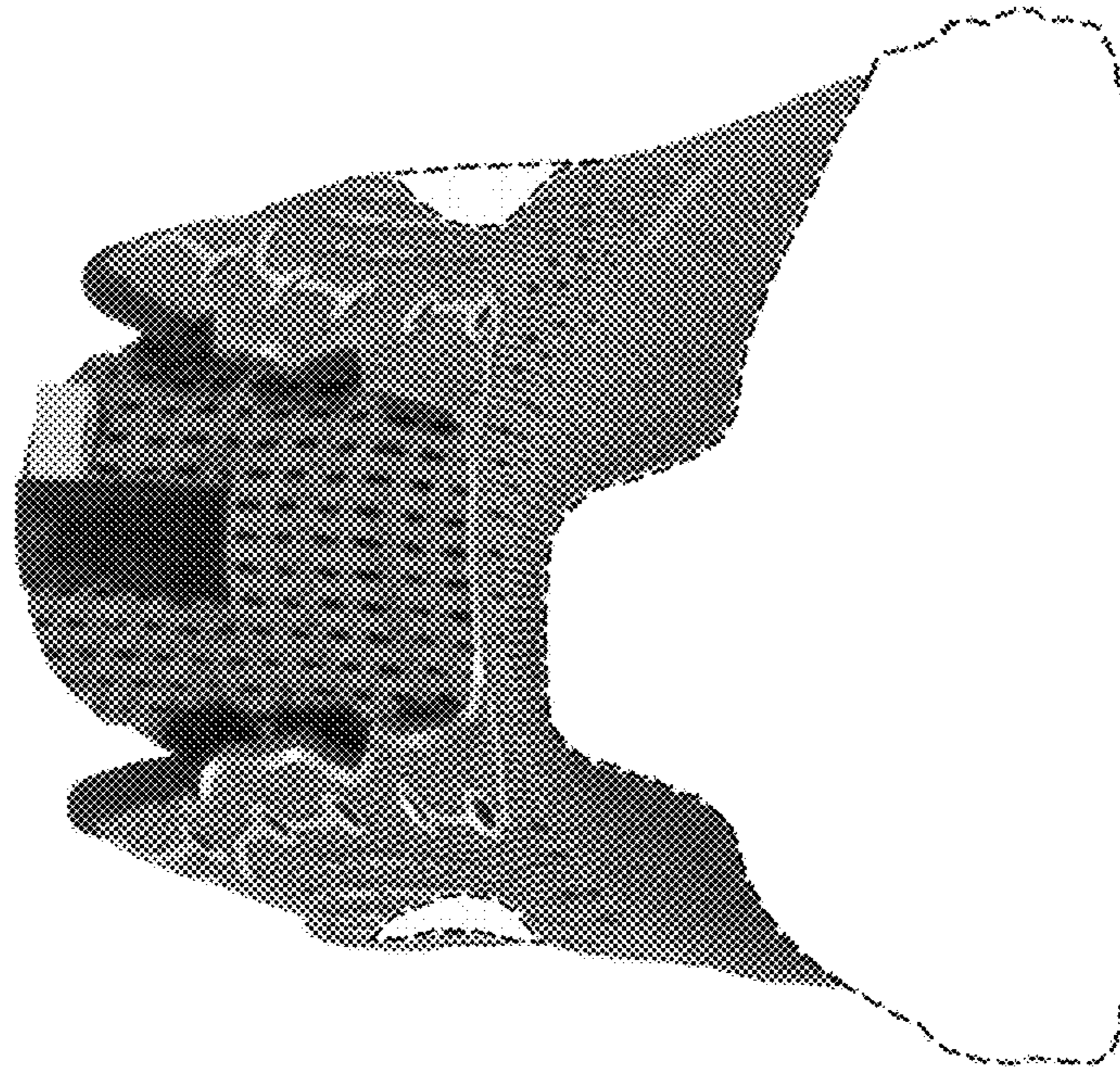


FIG. 2

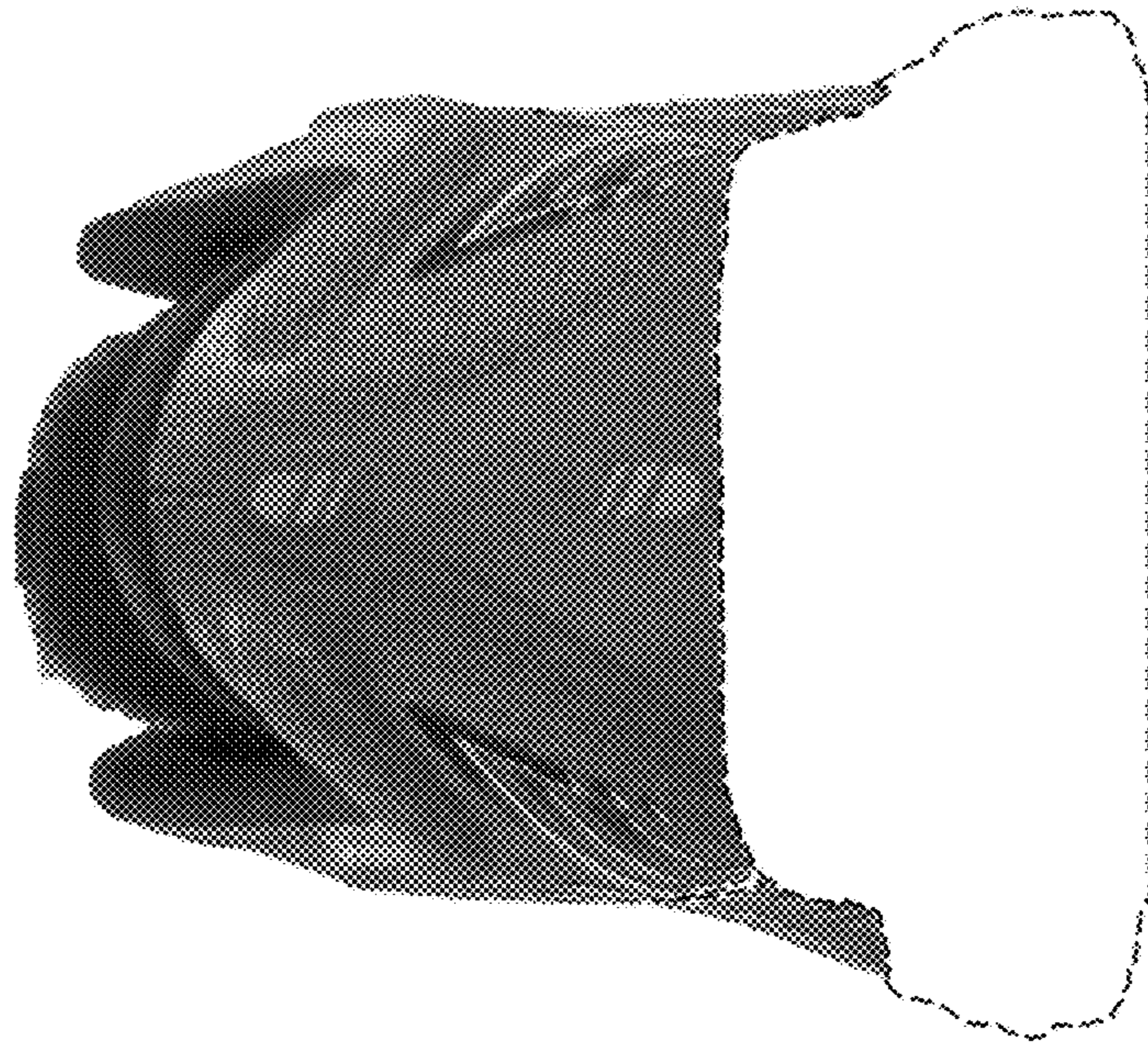


FIG. 3



FIG. 4



FIG. 5

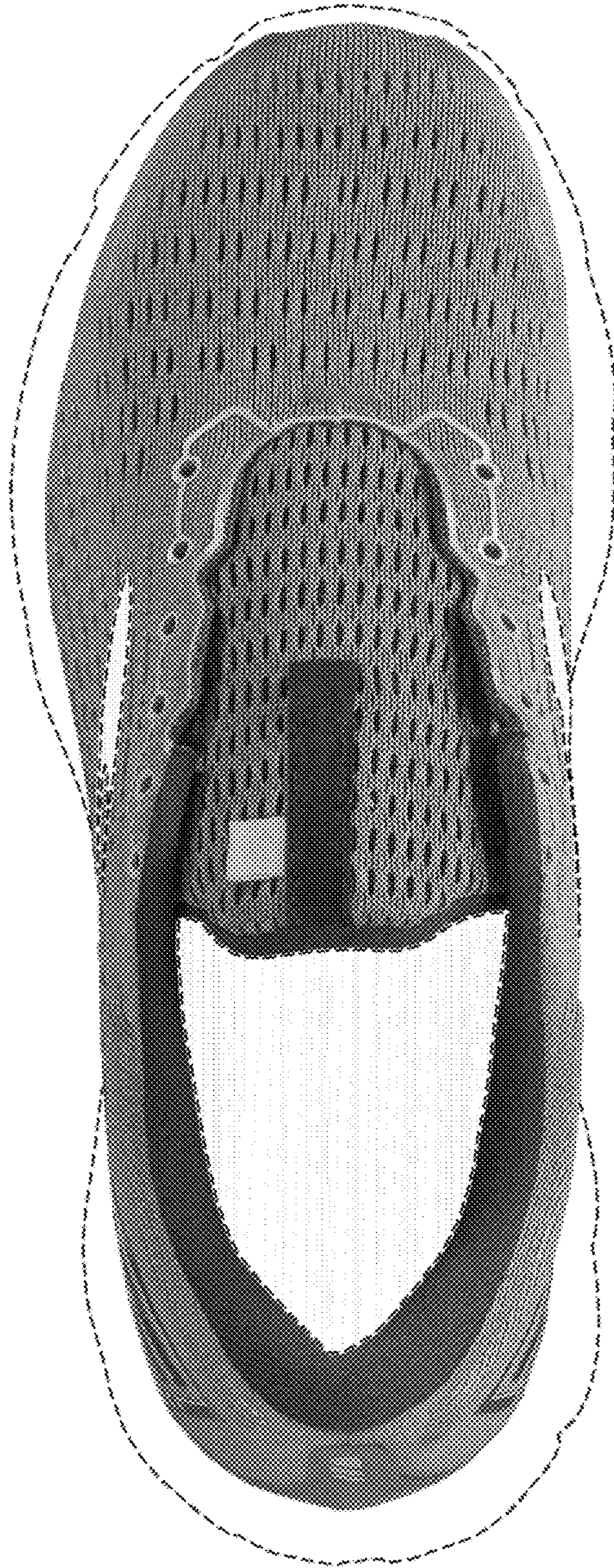


FIG. 6