



US00D913647S

(12) **United States Design Patent**
Garcia

(10) **Patent No.:** **US D913,647 S**
(45) **Date of Patent:** **** Mar. 23, 2021**

(54) **SHOE**
(71) Applicant: **PUMA SE**, Herzogenaurach (DE)
(72) Inventor: **Jacob Garcia**, Woburn, MA (US)
(73) Assignee: **PUMA SE**, Herzogenaurach (DE)

D542,017 S 5/2007 Cockrell
D554,839 S 11/2007 Jensen
D569,588 S 5/2008 James
D577,880 S 10/2008 White
(Continued)

(**) Term: **15 Years**
(21) Appl. No.: **29/661,572**

FOREIGN PATENT DOCUMENTS
CN 204048259 U 12/2014
CN 105476172 A 4/2016
(Continued)

(22) Filed: **Aug. 29, 2018**
(51) **LOC (13) Cl.** **02-04**
(52) **U.S. Cl.**
USPC **D2/902**
(58) **Field of Classification Search**
USPC D2/896, 902, 906-908, 943-946, 969,
D2/972-974
CPC A43B 13/181; A43B 7/00; A43B 1/04;
A43B 13/141; A43B 13/188; A43B
13/186; A43B 5/00; A43B 23/00; A43B
23/26; A43C 3/00; A43C 11/004; A43C
5/00; A43C 7/00
See application file for complete search history.

OTHER PUBLICATIONS
Suede Trim DLX Sneakers, Puma.com, [online], [site visited Jan. 3, 2020]. <URL: https://us.puma.com/en/us/pd/suede-trim-dlx-sneakers/371749.html?dwvar_371749_color=01 > (Year: 2020).
(Continued)

Primary Examiner — Cynthia Ramirez
Assistant Examiner — Laura H Yu
(74) *Attorney, Agent, or Firm* — Quarles & Brady LLP

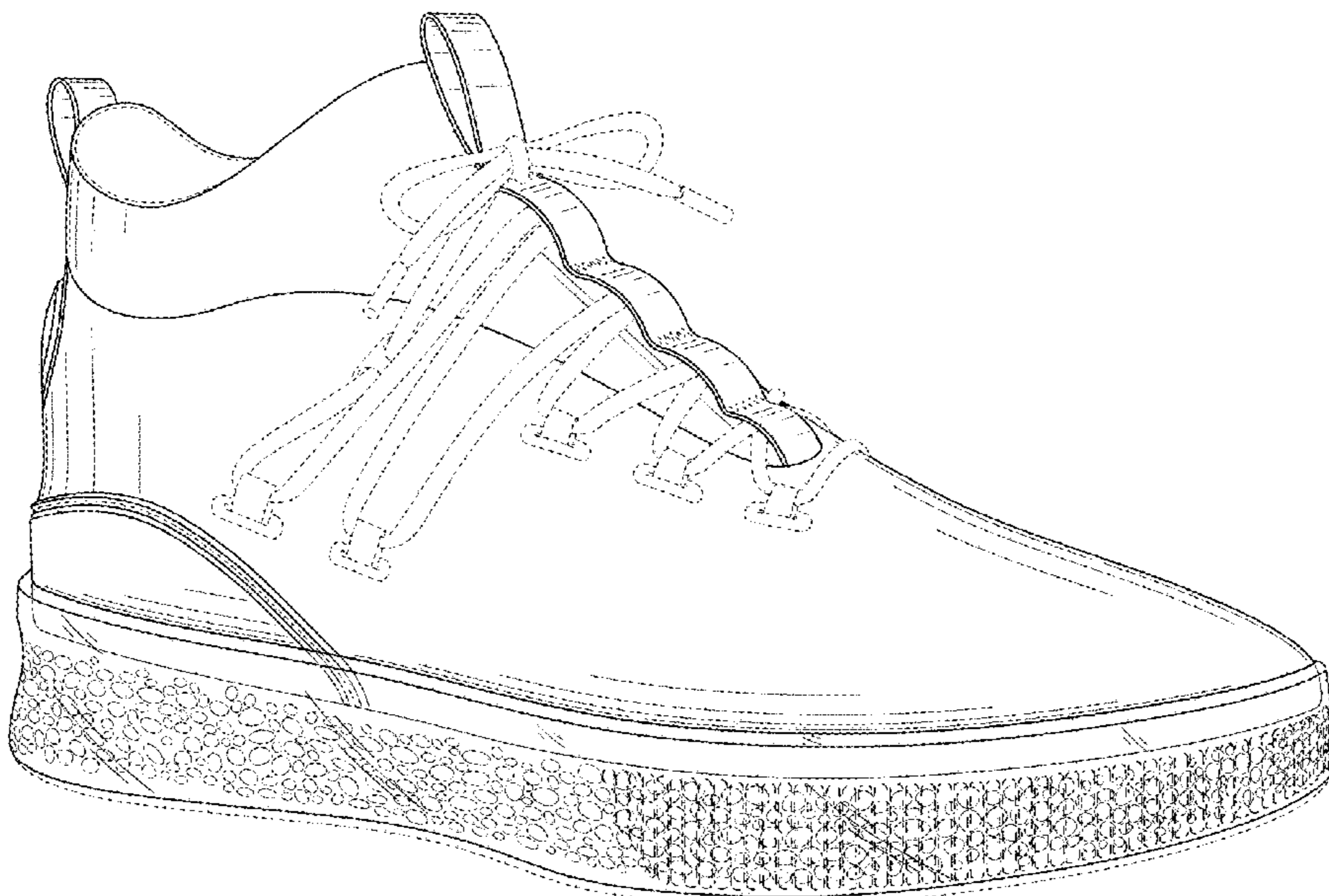
(57) **CLAIM**
The ornamental design for a shoe, as shown and described.

(56) **References Cited**
U.S. PATENT DOCUMENTS

1,952,628 A	3/1934	Macdonald
D236,664 S	9/1975	Moore
D237,425 S	11/1975	Askew
D237,426 S	11/1975	Thornberry
5,678,329 A	10/1997	Griffin et al.
D412,239 S	7/1999	Sorofman
D414,920 S	10/1999	Cahill
D423,199 S	4/2000	Cahill
D446,914 S	8/2001	Cockrell
D460,852 S	7/2002	Daudier
D488,916 S	4/2004	McClaskie
D529,695 S	10/2006	Cockrell
D532,585 S	11/2006	McDonald

DESCRIPTION
FIG. 1 is a right side view of the shoe showing my new design;
FIG. 2 is a left side view thereof;
FIG. 3 is a front view thereof;
FIG. 4 is a rear view thereof;
FIG. 5 is a top plan view thereof;
FIG. 6 is a bottom plan view thereof; and,
FIG. 7 is a top, front, and right perspective view thereof.
The broken lines in the drawings indicate portions of the shoe that form no part of the claimed design. The broken lines within the shaded area represent disclaimed seam and stitch lines and form no part of the claimed design.

1 Claim, 6 Drawing Sheets



(56)

References Cited

U.S. PATENT DOCUMENTS

D613,041 S 4/2010 Thompson
 D613,480 S 4/2010 Lamont
 D615,734 S 5/2010 Di Nucci
 D634,520 S 3/2011 Choi
 D651,387 S 1/2012 Van Zyll De Jong et al.
 D709,680 S 7/2014 Herath
 D720,920 S 1/2015 Santos
 D724,304 S 3/2015 Santos
 D729,503 S 5/2015 Carroll et al.
 D731,761 S 6/2015 Carroll et al.
 D765,362 S 9/2016 Kuerbis
 D775,807 S 1/2017 Rauner
 D776,410 S 1/2017 Galway et al.
 D783,960 S 4/2017 Hatfield
 D785,295 S 5/2017 Carroll et al.
 D789,053 S 6/2017 Ruark
 D792,683 S 7/2017 Carroll et al.
 D792,686 S 7/2017 Small
 D793,676 S 8/2017 Slimane
 D793,677 S 8/2017 Slimane
 D793,687 S 8/2017 Cin
 D796,160 S 9/2017 Guichot
 D796,168 S 9/2017 Shyllon
 D796,170 S 9/2017 Raysse
 D797,416 S 9/2017 Lee et al.
 D797,417 S 9/2017 Lee et al.
 D798,555 S 10/2017 Enayah
 D799,183 S 10/2017 Weeks
 D799,800 S 10/2017 Engel
 D799,801 S 10/2017 Da Costa Pereira Machado
 D802,266 S 11/2017 Hardman
 D808,136 S 1/2018 Tæstensen et al.
 D812,872 S 3/2018 Palmer
 D823,580 S 7/2018 Pauk
 D828,686 S 9/2018 Hoellmueller et al.
 D844,952 S 4/2019 Taylor
 D848,129 S 5/2019 Hatfield et al.
 D850,766 S 6/2019 Girard et al.
 D850,767 S 6/2019 Gallo
 D852,475 S 7/2019 Hoellmueller
 D852,476 S 7/2019 Hartmann
 D852,480 S 7/2019 Kaiserswerth et al.
 D853,099 S 7/2019 Parrett
 D853,691 S 7/2019 Coonrod et al.
 D854,285 S 7/2019 Chang
 D855,297 S 8/2019 Motoki
 D855,952 S 8/2019 Hardy
 D855,953 S 8/2019 Girard et al.
 D856,648 S 8/2019 Small
 D856,649 S 8/2019 Small
 D857,358 S 8/2019 Greenhalgh et al.
 D858,051 S 9/2019 Mace
 D858,960 S 9/2019 Mace
 D858,961 S 9/2019 Mace
 D859,796 S 9/2019 McLellan et al.
 D862,051 S 10/2019 Goussev et al.
 D862,857 S 10/2019 Boudreau et al.
 D866,134 S 11/2019 McMillan
 D866,137 S 11/2019 Kanata
 D866,934 S 11/2019 Zeng
 D866,935 S 11/2019 Dao et al.
 D867,733 S 11/2019 Kanata
 D867,734 S 11/2019 Dieudonne
 D868,440 S 12/2019 Dieudonne
 D869,132 S 12/2019 de Montgolfier
 D869,833 S 12/2019 Hartmann et al.
 D870,433 S 12/2019 Hartmann et al.
 D871,035 S 12/2019 Amago
 D871,729 S 1/2020 Taylor
 D873,545 S 1/2020 Hartmann et al.
 D874,098 S 2/2020 Hartmann et al.

D874,099 S 2/2020 Hartmann et al.
 D876,757 S * 3/2020 Hartmann D2/902
 D877,465 S * 3/2020 Hartmann D2/902
 D883,620 S * 5/2020 Gridley D2/947
 D885,719 S * 6/2020 Garcia D2/947
 2007/0068040 A1 3/2007 Farys
 2008/0060221 A1 3/2008 Hollinger
 2008/0110048 A1 5/2008 Dua et al.
 2008/0110049 A1 5/2008 Sokolowski et al.
 2010/0047550 A1 2/2010 Prissok et al.
 2012/0023786 A1 2/2012 Dojan
 2013/0145653 A1 6/2013 Bradford
 2013/0291409 A1 11/2013 Reinhardt et al.
 2014/0150292 A1 6/2014 Podhajny et al.
 2014/0151918 A1 6/2014 Hartmann
 2014/0196311 A1 7/2014 Follet et al.
 2015/0059209 A1 3/2015 Dekovic et al.
 2015/0075031 A1 3/2015 Podhajny et al.
 2016/0302524 A1 10/2016 Smith
 2016/0374428 A1 12/2016 Kormann et al.
 2017/0105487 A1 4/2017 Klein
 2017/0258169 A1 9/2017 Zavala
 2017/0341325 A1 11/2017 Le et al.
 2018/0042333 A1 2/2018 Manos-Gully et al.
 2018/0235307 A1 8/2018 Dekovic et al.
 2018/0249787 A1 9/2018 Fuerst, Sr.
 2018/0255877 A1 9/2018 Wilson
 2018/0317594 A1 11/2018 Brinkman et al.
 2019/0082789 A1 3/2019 Smith et al.

FOREIGN PATENT DOCUMENTS

EP 3153053 A1 4/2017
 EP 3308663 A1 4/2018
 EP 2109637 B1 7/2018
 WO 2013019934 A1 2/2013
 WO 2015038344 A1 3/2015

OTHER PUBLICATIONS

Bari Sneakers, Puma.com, [online], [site visited Jan. 3, 2020]. <URL: https://us.puma.com/en/us/pd/bari-sneakers/369116.html?dwvar_369116_color=11> (Year: 2020).
 Puma Smash v2 Max Sneakers, Puma.com, [online], [site visited Jan. 3, 2020]. <URL: https://us.puma.com/en/us/pd/puma-smash-v2-max-sneakers/371135.html?dwvar_371135_color=02> (Year: 2020).
 Clyde Court Roses Basketball Shoes, Puma.com, [online], [site visited Jan. 3, 2020]. <URL: https://us.puma.com/en/us/pd/clyde-court-roses-basketball-shoes/192983.html?dwvar_192983_color=01> (Year: 2020).
 Ralph Sampson Demi OG Men's Sneakers, Puma.com, [online], [site visited Jan. 3, 2020]. <URL: https://us.puma.com/en/us/pd/ralph-sampson-demi-og-mens-sneakers/371683.html?dwvar_371683_color=03> (Year: 2020).
 Puma Clyde Court Disrupt Performance Review, YouTube.com, WearTesters, Published on Oct. 10, 2018, [online], [site visited Jan. 3, 2020]. <URL: https://www.youtube.com/watch?v=OPD940y5_ac> (Year: 2018).
 Puma Clyde Court Performance Review, SoleCollector.com, By Zac Dubasik, Oct. 29, 2018, [online], [site visited Jan. 3, 2020]. <URL: <https://solecollector.com/news/2018/10/puma-clyde-court-disrupt-performance-review/>> (Year: 2018).
 Ralph Sampson Mid BHM Men's Sneakers, Puma.com, [online], [site visited Feb. 6, 2020]. <URL: https://us.puma.com/en/us/pd/ralph-sampson-mid-bhm-mens-sneakers/374684.html?dwvar_374684_color=01> (Year: 2020).
 Data-driven, 3-D-printed running shoe midsoles, YouTube.com, MIT Alumni Association, Published on Feb. 15, 2017, [online], [site visited Feb. 6, 2020]. <URL: <https://www.youtube.com/watch?v=3Enbo9enidA>> (Year 2017).

* cited by examiner

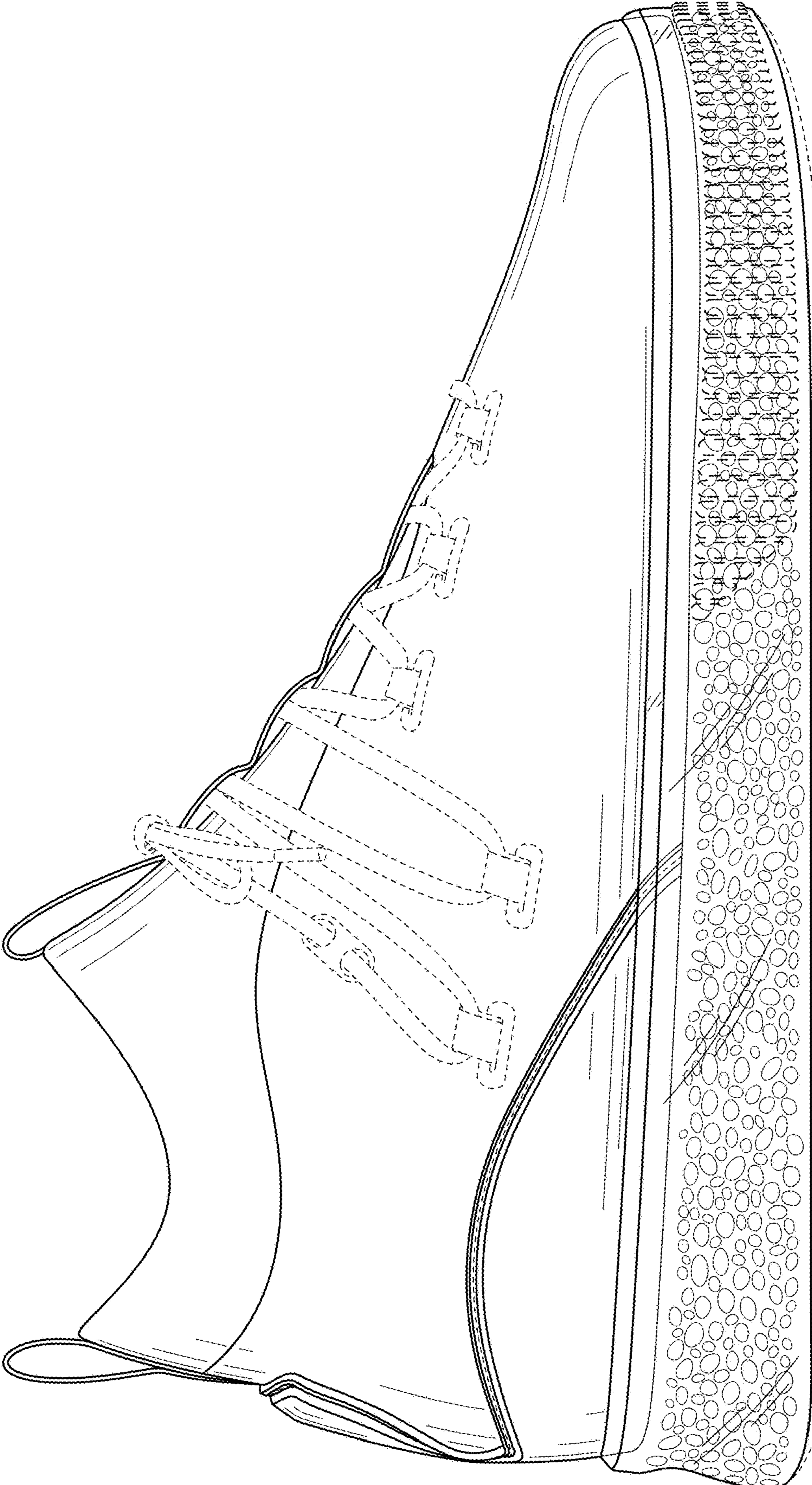


FIG. 1

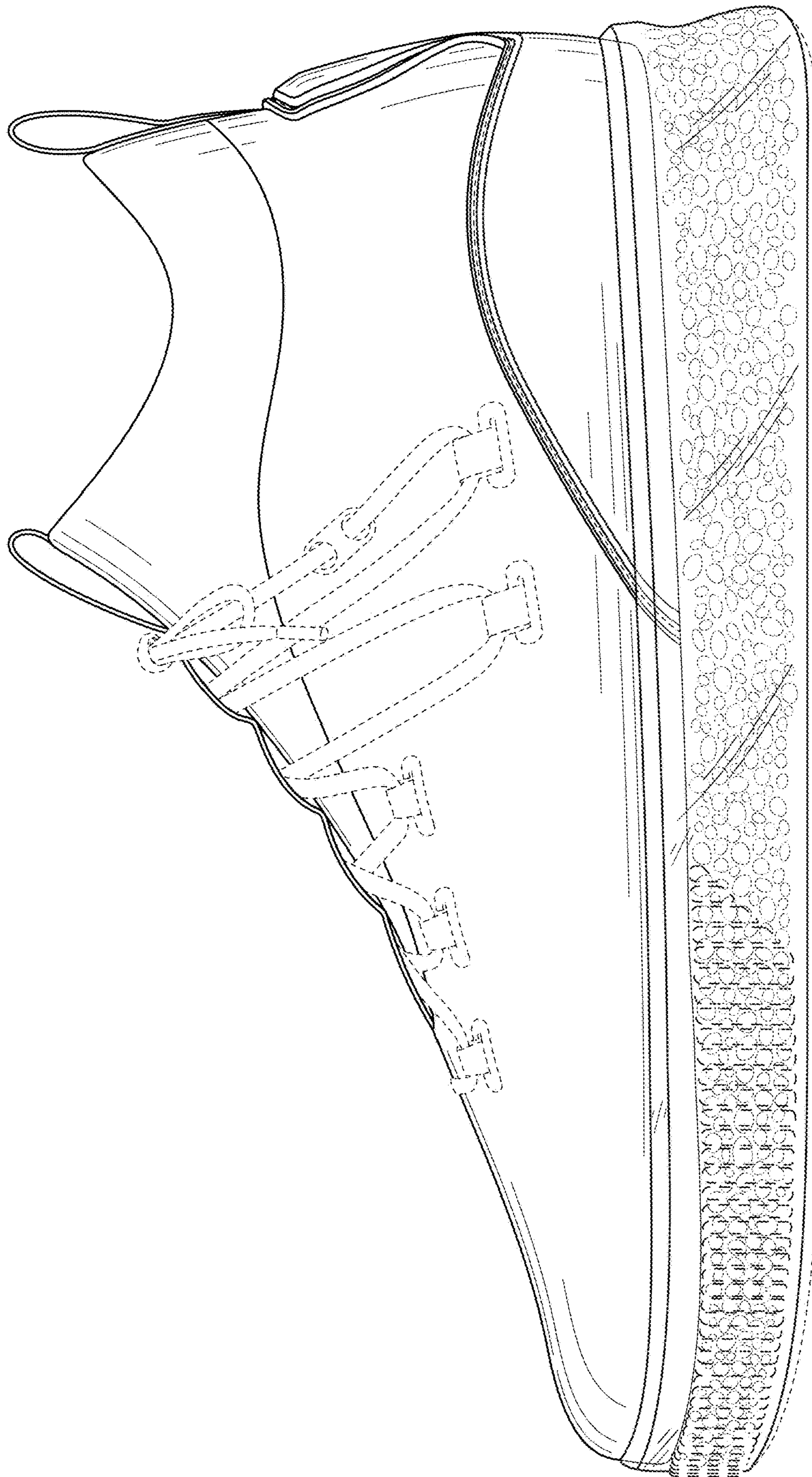


FIG. 2

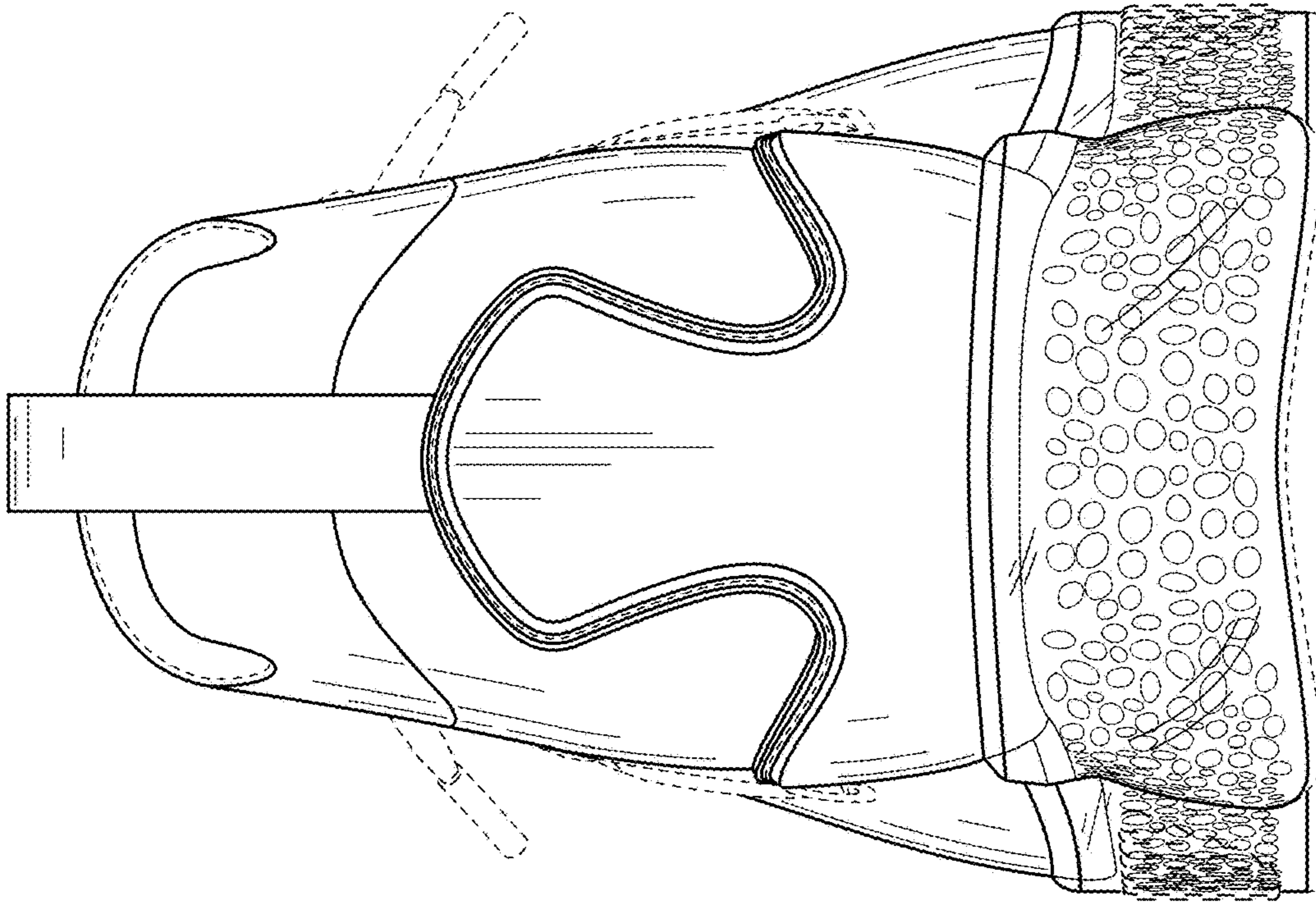


FIG. 4

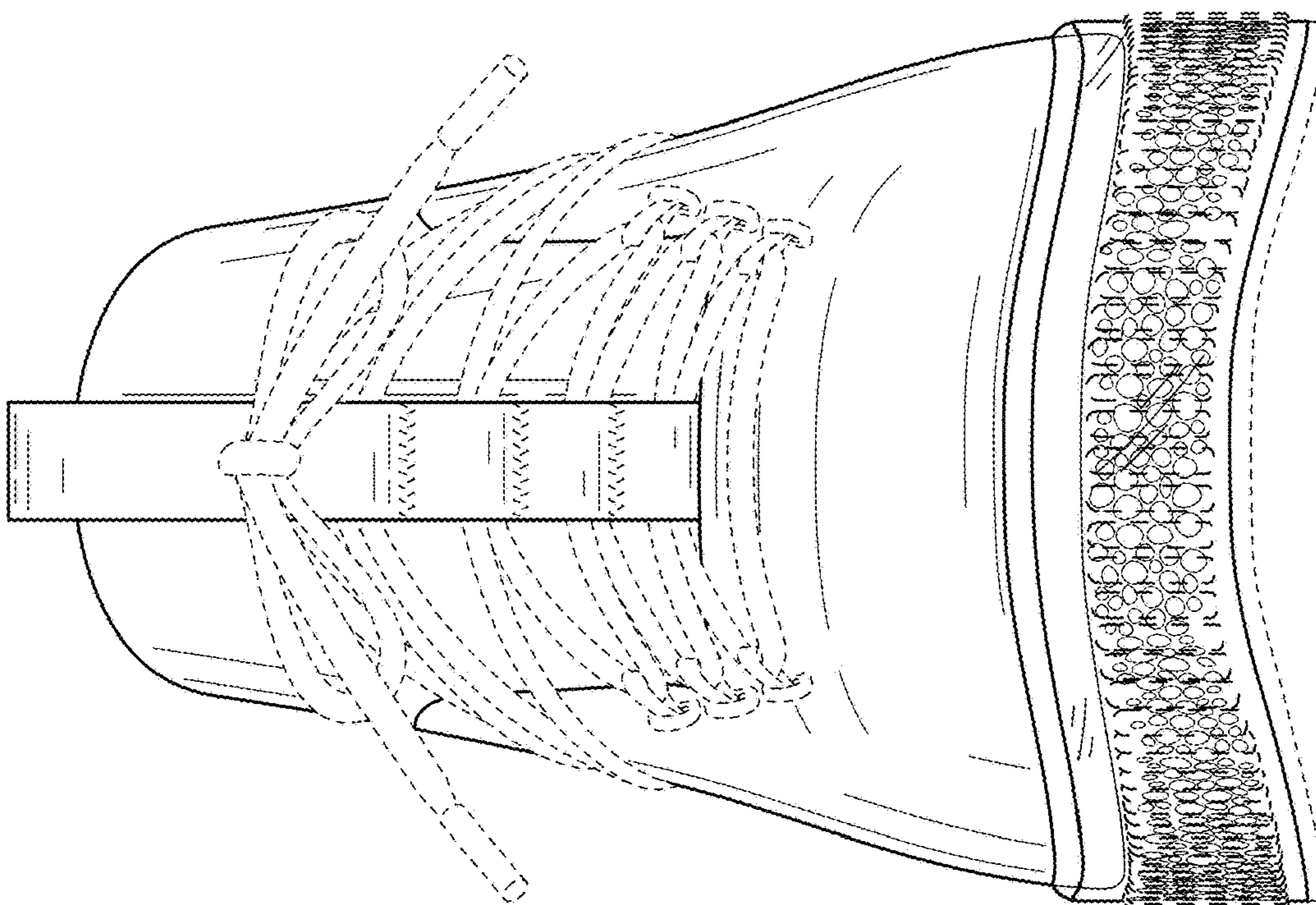


FIG. 3

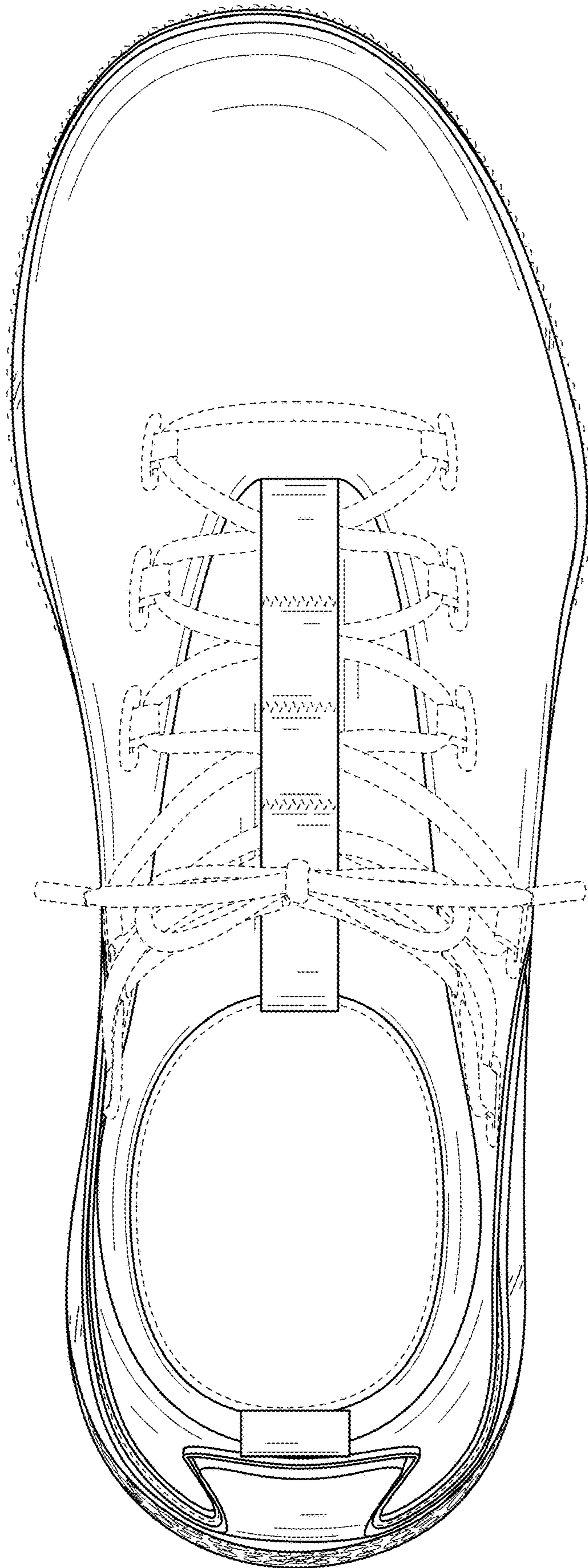


FIG. 5

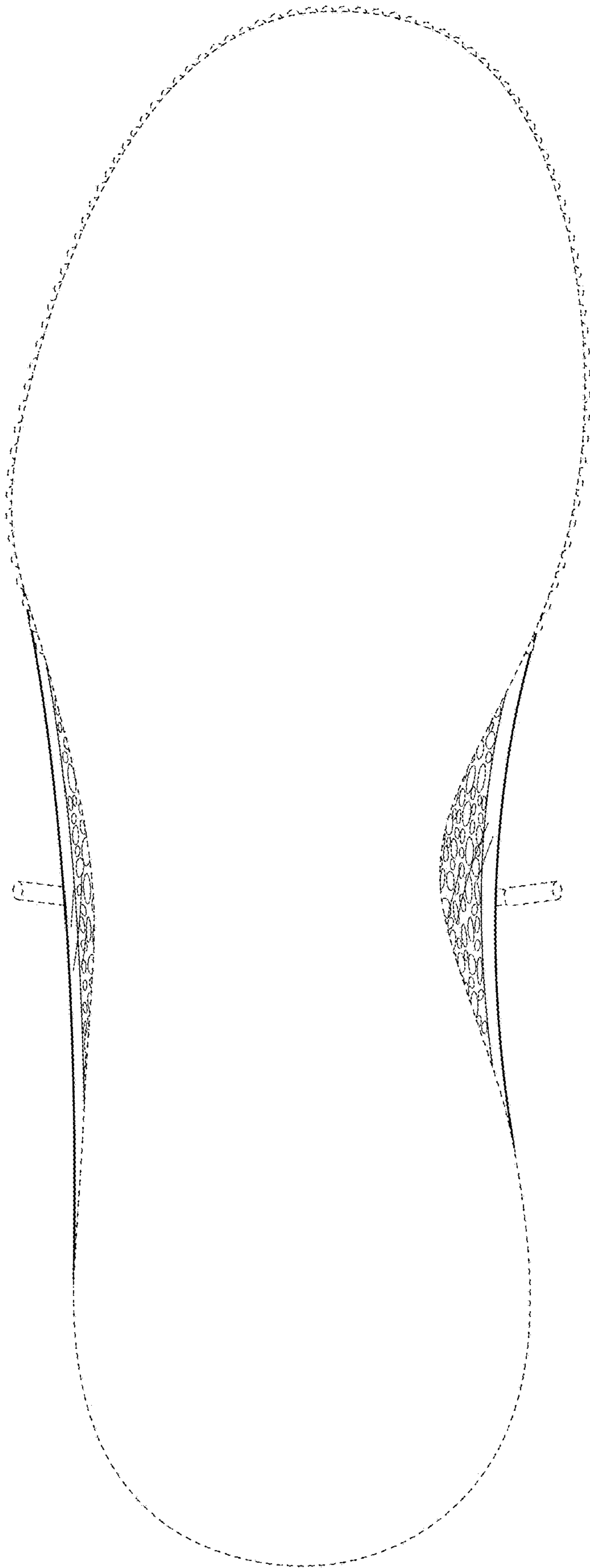


FIG. 6

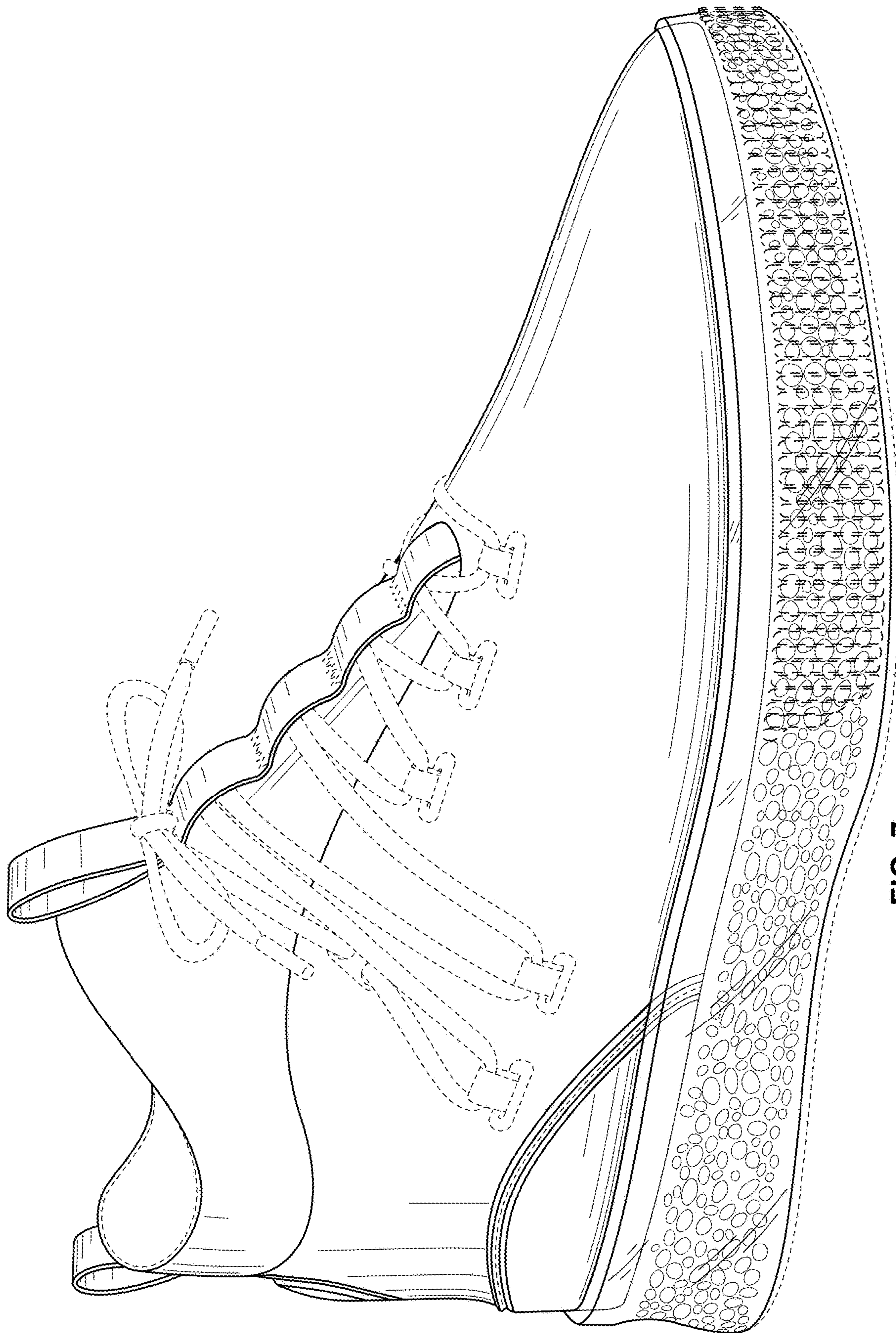


FIG. 7