



US00D913643S

(12) **United States Design Patent**
Tinch

(10) **Patent No.:** **US D913,643 S**
(45) **Date of Patent:** **** Mar. 23, 2021**

(54) **SHIRT COLLAR STIFFENING DEVICE**

(71) Applicant: **Nick T. Tinch**, Moseley, VA (US)

(72) Inventor: **Nick T. Tinch**, Moseley, VA (US)

(**) Term: **15 Years**

(21) Appl. No.: **29/697,462**

(22) Filed: **Jul. 9, 2019**

(51) **LOC (13) Cl.** **02-02**

(52) **U.S. Cl.**
USPC **D2/859**

(58) **Field of Classification Search**

USPC D2/716, 845, 853, 854, 857, 858, 859;
D3/247, 249, 250, 251, 303; D18/482

CPC A41B 3/06; A41B 3/08; A41B 1/08; A41B
3/00; A41B 3/005; A41B 3/10; A41B
13/10; A41B 1/14; A41B 2400/36; A41B
2400/52; A41B 3/12; B65D 85/182

See application file for complete search history.

(56) **References Cited**

U.S. PATENT DOCUMENTS

877,928 A * 2/1908 Illoway A41B 3/06
2/134
1,764,212 A * 6/1930 Kirsten A41B 3/06
2/132
1,941,185 A * 12/1933 O'shea B65D 85/182
223/83

(Continued)

FOREIGN PATENT DOCUMENTS

DE 841731 6/1952
DE 888982 9/1953
JP 2010203025 9/2010

OTHER PUBLICATIONS

The Sharp Collar, at <http://www.thesharpcollar.com/>, 2 pages, last accessed Jun. 29, 2019.

(Continued)

Primary Examiner — Kevin K Rudzinski

Assistant Examiner — Amber J Rabie

(74) *Attorney, Agent, or Firm* — Patent Law of Virginia, PLLC; Brian J. Teague

(57) **CLAIM**

I claim the ornamental design for a shirt collar stiffening device, as shown and described.

DESCRIPTION

FIG. 1 is a perspective view of a shirt collar stiffening device, in a first position, showing the new design.

FIG. 2 is a front view thereof.

FIG. 3 is a rear view thereof.

FIG. 4 is a left side view thereof.

FIG. 5 is a right side view thereof.

FIG. 6 is a top view thereof.

FIG. 7 is a bottom view thereof.

FIG. 8 is a perspective view of the shirt collar stiffening device, in a second position.

FIG. 9 is a front view thereof.

FIG. 10 is a rear view thereof.

FIG. 11 is a left side view thereof.

FIG. 12 is a right side view thereof.

FIG. 13 is a top view thereof.

FIG. 14 is a bottom view thereof.

FIG. 15 is a perspective view of the shirt collar stiffening device, in a third position.

FIG. 16 is a front view thereof.

FIG. 17 is a rear view thereof.

FIG. 18 is a left side view thereof.

FIG. 19 is a right side view thereof.

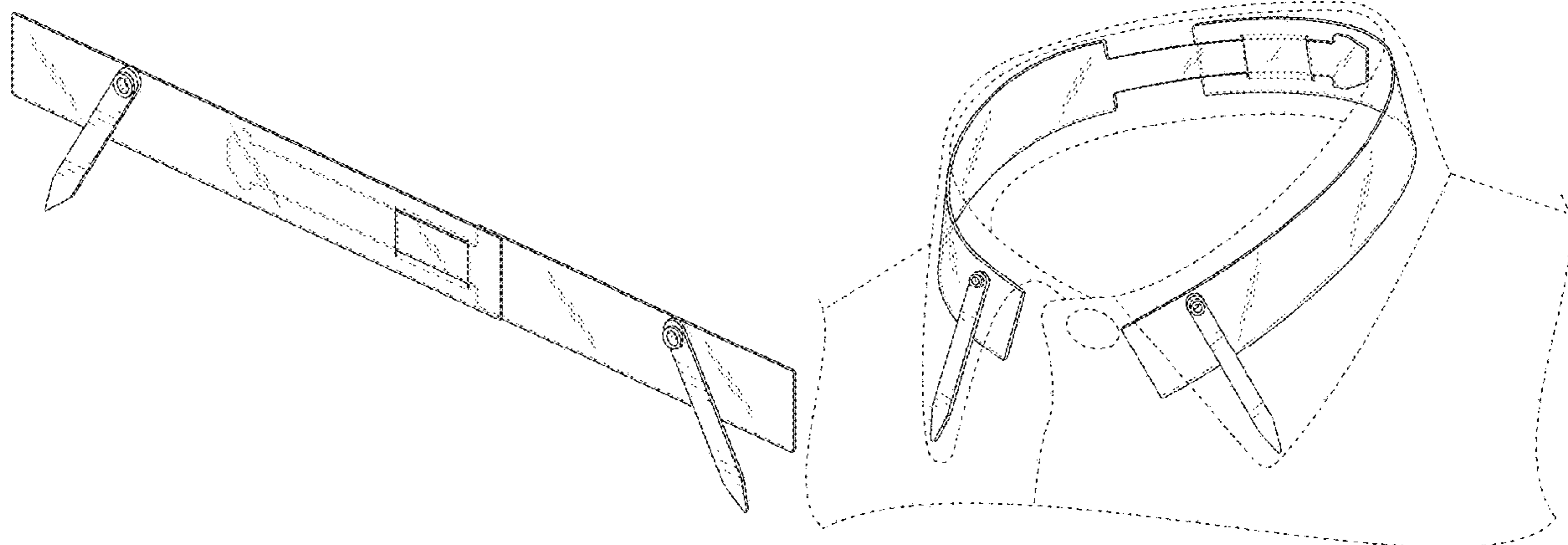
FIG. 20 is a top view thereof.

FIG. 21 is a bottom view thereof; and,

FIG. 22 is a perspective view of the shirt collar stiffening device in use.

The broken lines shown in FIG. 22 depict environmental structure and form no part of the claimed design.

1 Claim, 22 Drawing Sheets



(56)

References Cited

U.S. PATENT DOCUMENTS

1,986,649 A * 1/1935 Steele B65D 85/182
24/17 R
2,041,575 A * 5/1936 Steele B65D 85/182
24/40
2,306,088 A * 12/1942 Spanney A41B 3/06
2/132
2,334,068 A * 11/1943 Chadwick B65D 85/182
223/83
2,610,774 A * 9/1952 Calder B65D 85/182
223/83
D507,205 S * 7/2005 Bier B65D 85/182
24/900.1
9,171,280 B2 10/2015 Gitchell et al.
9,526,274 B2 12/2016 English
10,039,328 B2 8/2018 English
2004/0244154 A1* 12/2004 Kim B65D 63/1018
24/17 A
2010/0313331 A1 12/2010 English

2011/0113526 A1* 5/2011 Harris A41B 3/06
2/132
2012/0023640 A1* 2/2012 Gutierrez Garcia A41B 3/06
2/116
2014/0223640 A1* 8/2014 English A41B 3/06
2/256
2015/0020290 A1 1/2015 Yarbrough
2017/0311649 A1 11/2017 Garcia
2020/0037672 A1* 2/2020 Moczygemba A41B 3/06
2020/0146362 A1* 5/2020 Smith A41B 3/06
2020/0221790 A1* 7/2020 Mohammadian-Khezerlou
A41B 3/06

OTHER PUBLICATIONS

Slick Collar, at <https://slickcollar.com/>, 10 pages, last accessed Jun. 29, 2019.
Stiff Collar Stay, at <https://www.stiffcollarstay.com/>, 3 pages, last accessed Jun. 29, 2019.

* cited by examiner

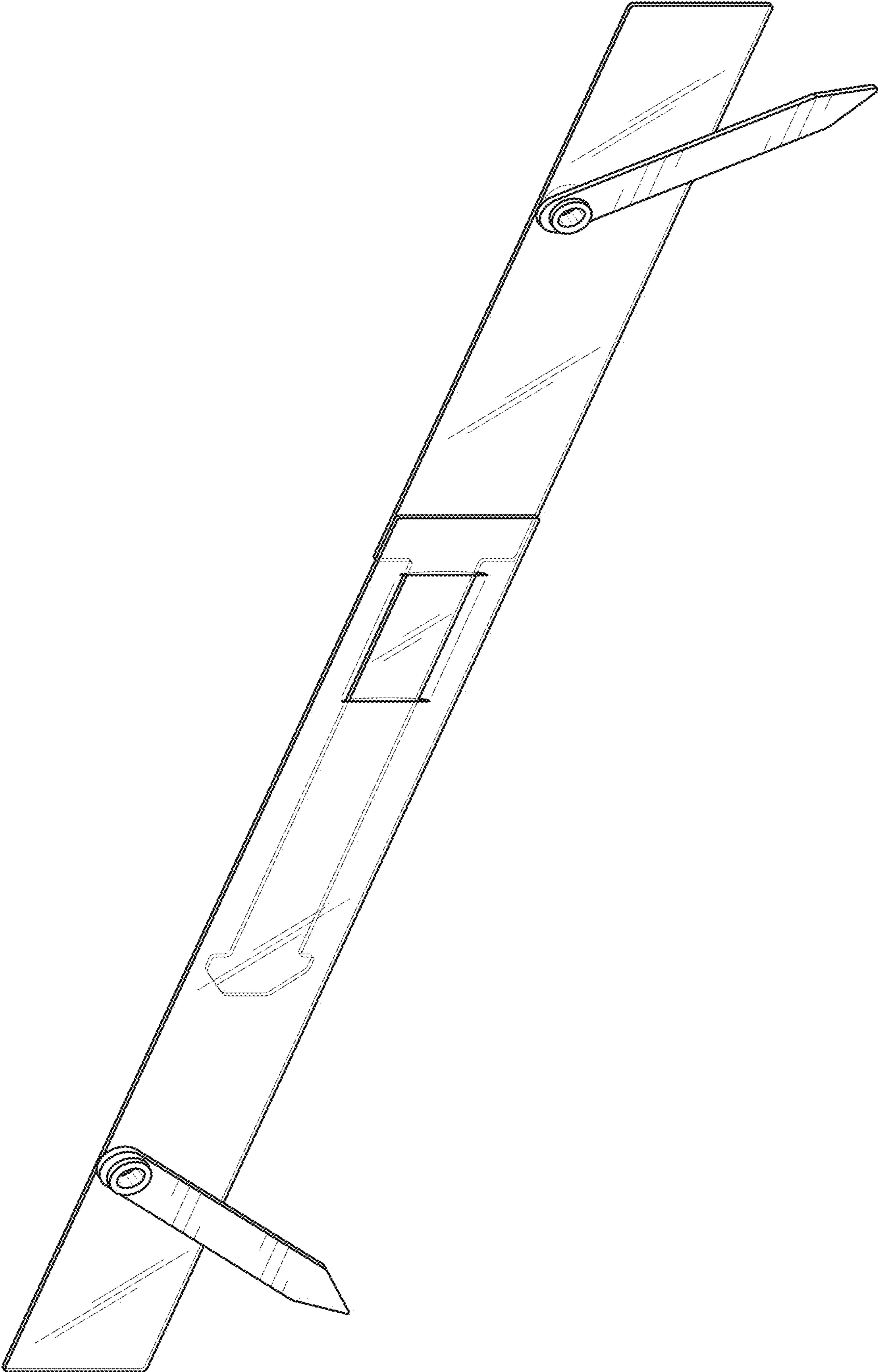


FIG. 1

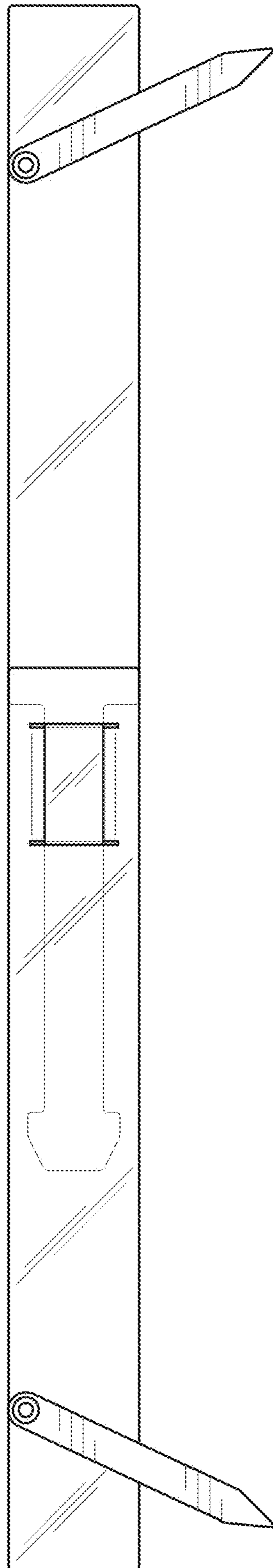


FIG. 2

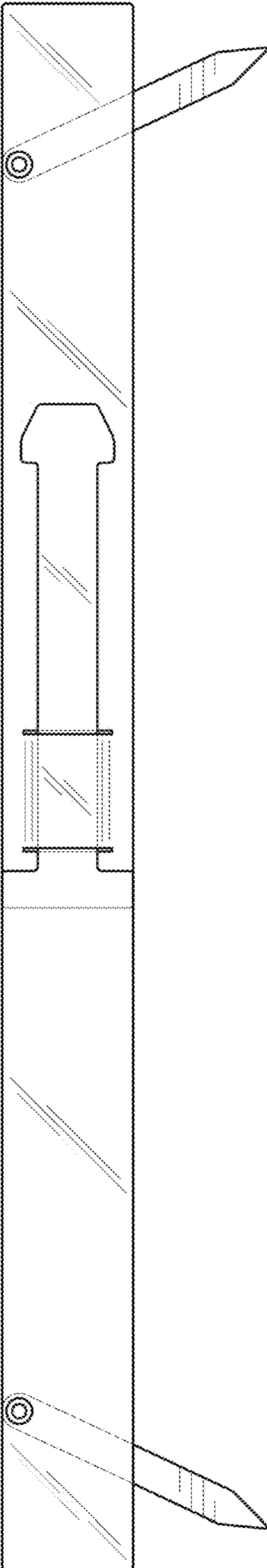


FIG. 3

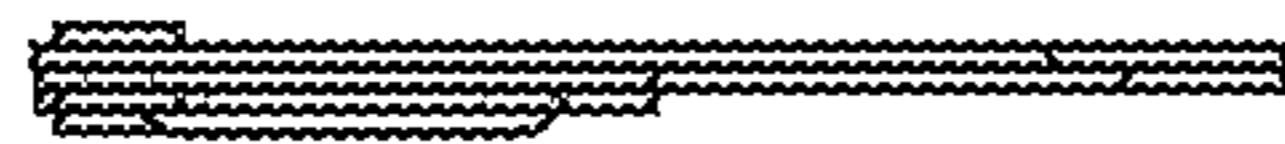


FIG. 4

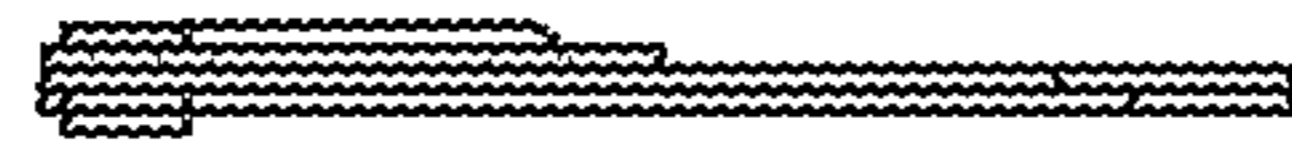


FIG. 5

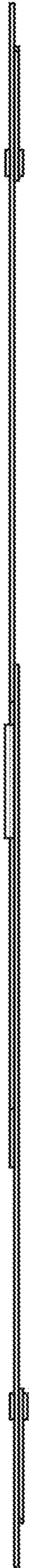


FIG. 6



FIG. 7

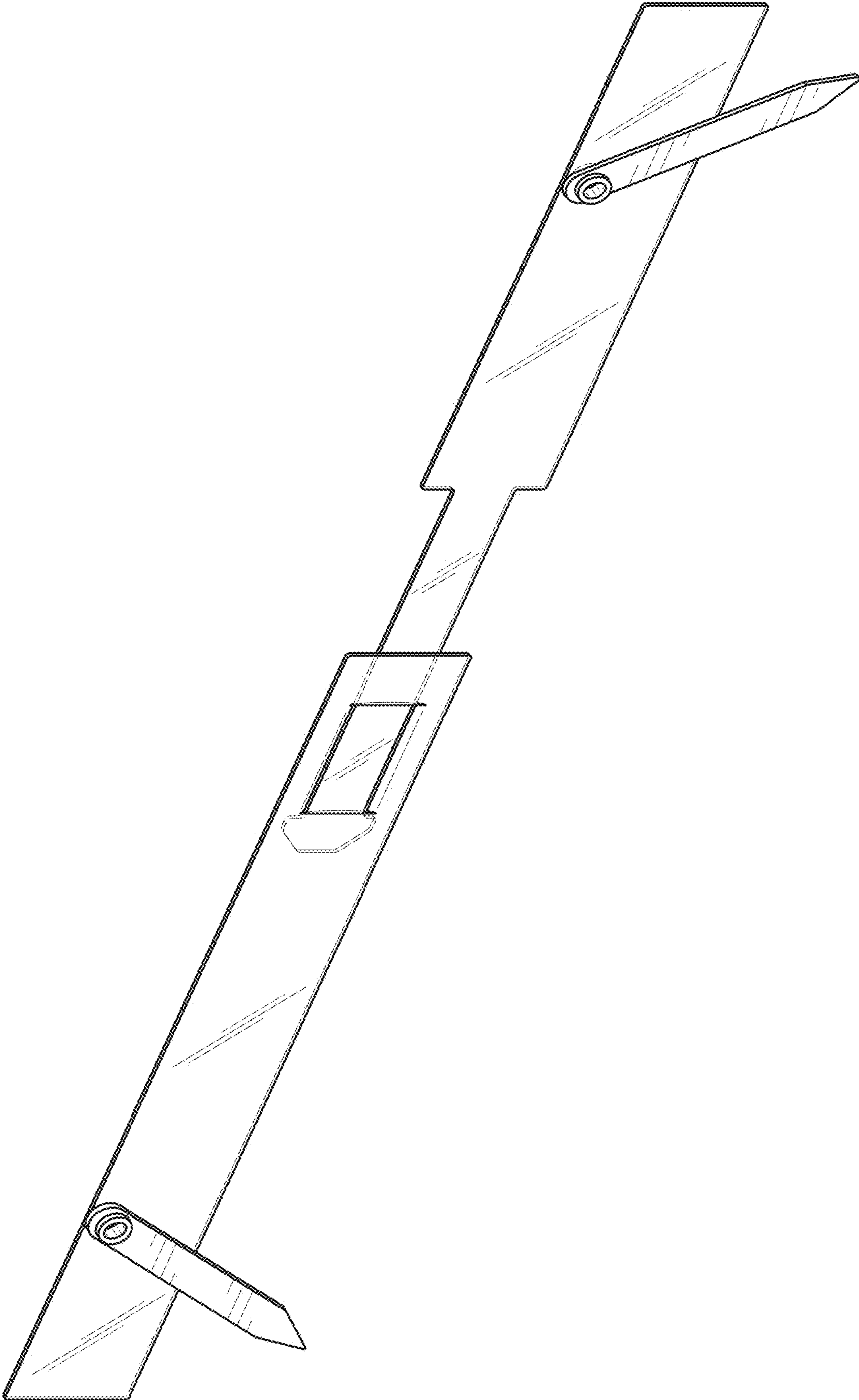


FIG. 8

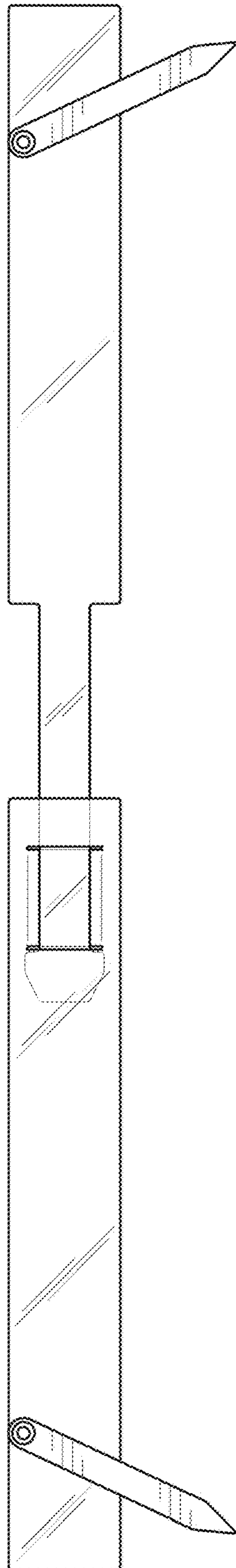


FIG. 9

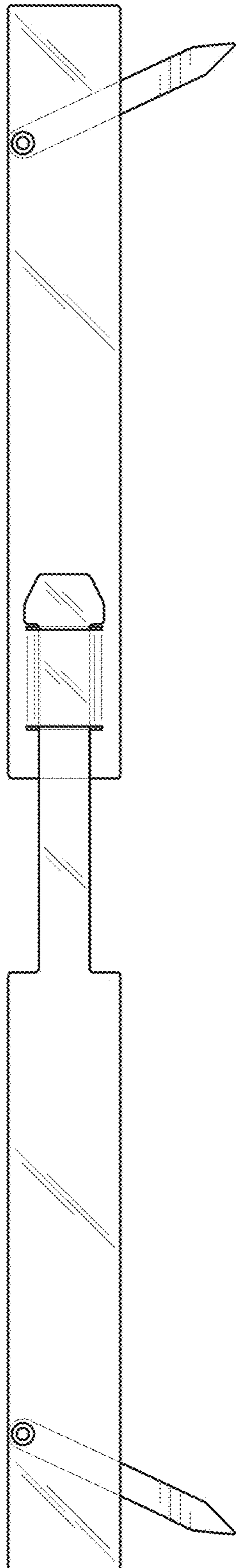


FIG. 10

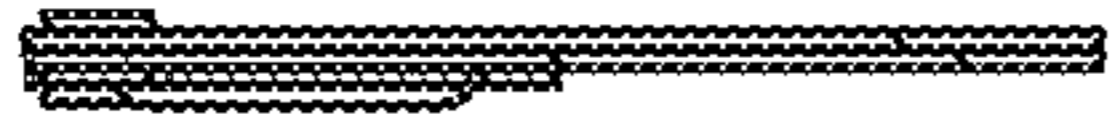


FIG. 11



FIG. 12

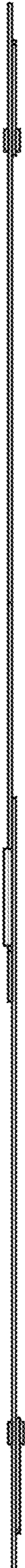


FIG. 13



FIG. 14

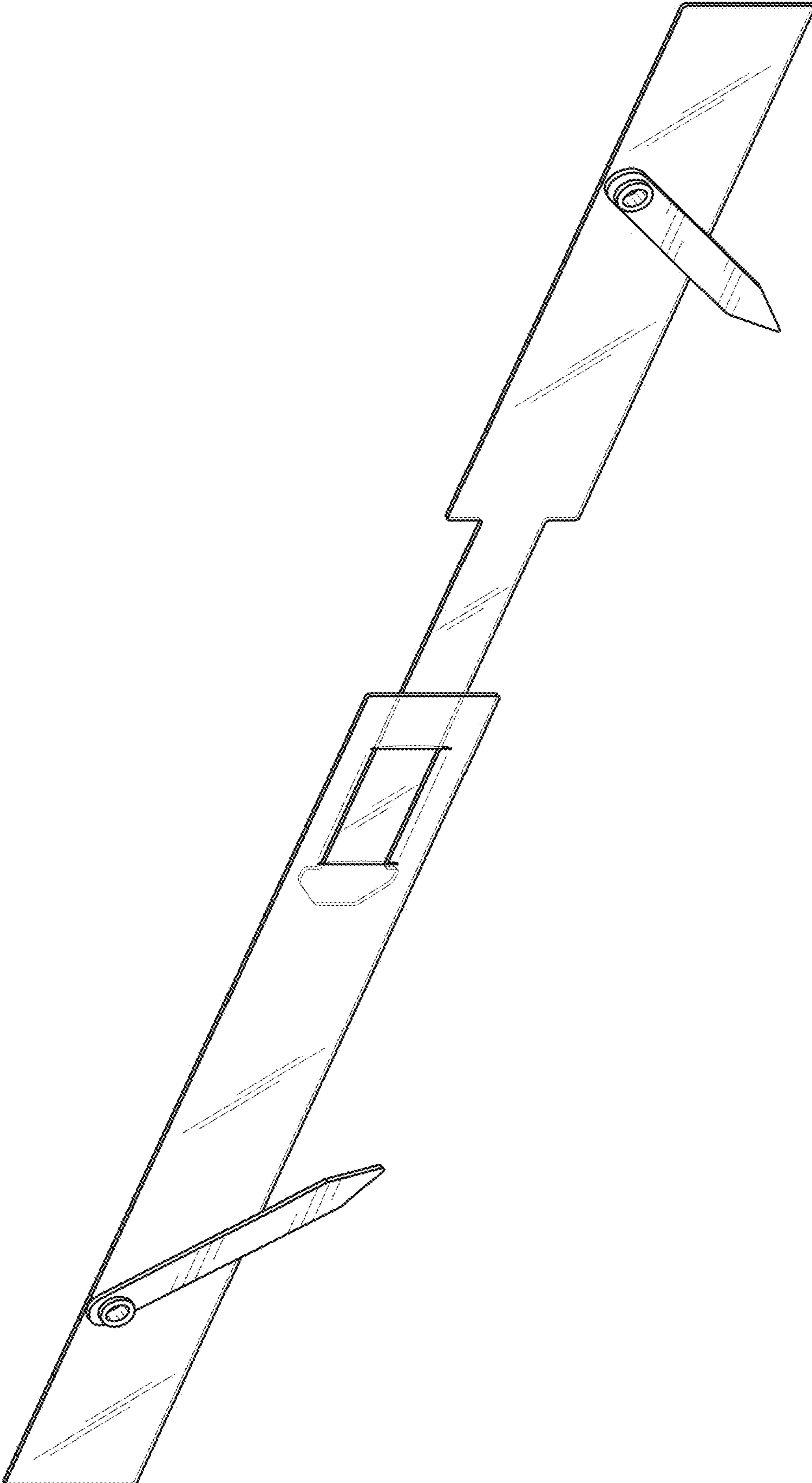


FIG. 15

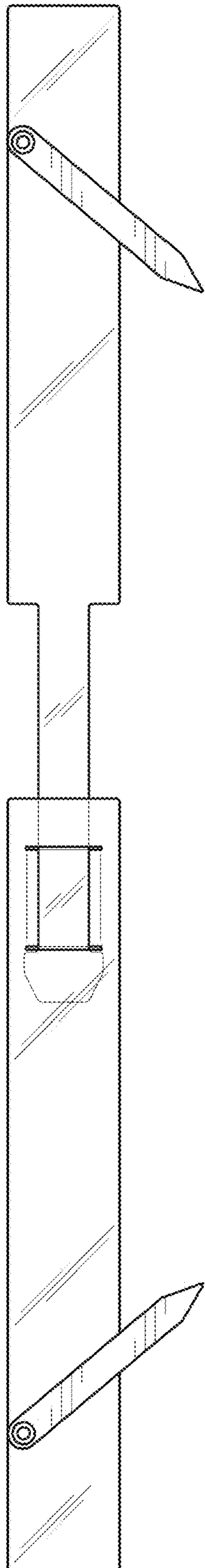


FIG. 16

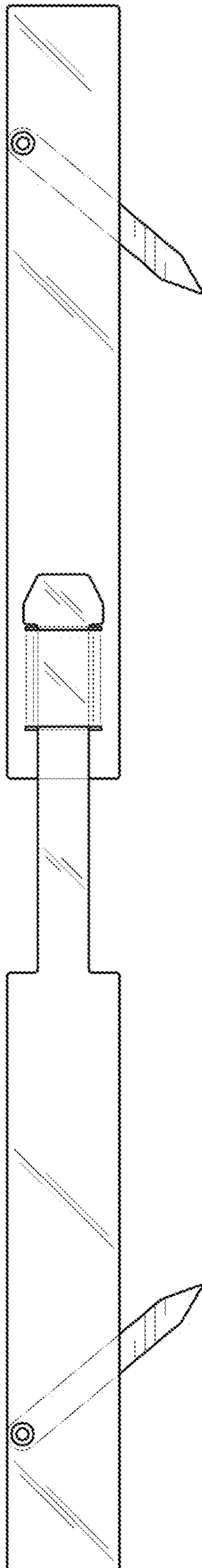


FIG. 17

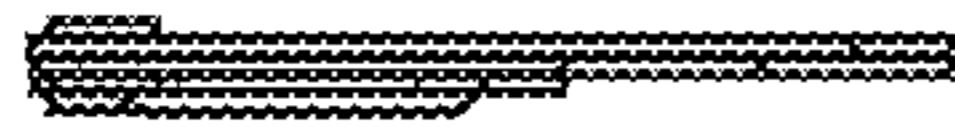


FIG. 18



FIG. 19

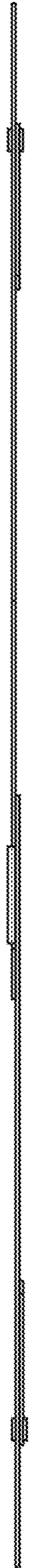


FIG. 20



FIG. 21

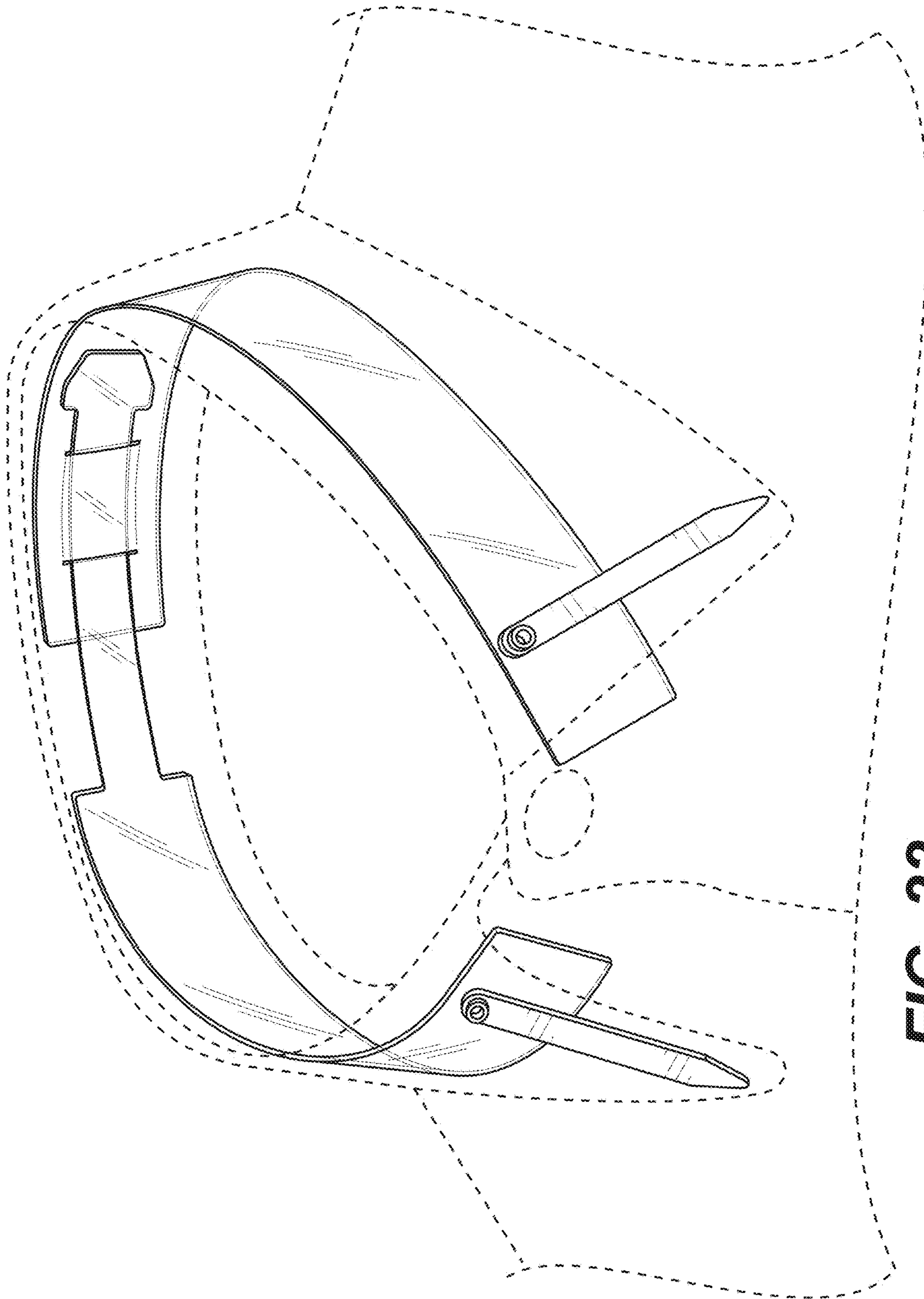


FIG. 22